



US00D885510S

(12) **United States Design Patent**
Wells et al.

(10) **Patent No.:** **US D885,510 S**

(45) **Date of Patent:** **** May 26, 2020**

(54) **LIGHTING DEVICE**

(71) Applicant: **SureFire, LLC**, Fountain Valley, CA
(US)

(72) Inventors: **William Wells**, Costa Mesa, CA (US);
Loc Nguyen, Santa Ana, CA (US)

(73) Assignee: **SureFire, LLC**, Fountain Valley, CA
(US)

(**) Term: **15 Years**

(21) Appl. No.: **29/670,906**

(22) Filed: **Nov. 20, 2018**

(51) **LOC (12) Cl.** **22-01**

(52) **U.S. Cl.**
USPC **D22/108**

(58) **Field of Classification Search**
USPC D22/100, 103, 108, 109, 110, 111, 113,
D22/115, 116, 199; D21/567, 573;
D26/60

CPC F41A 23/08; F41A 23/10; F41A 21/16;
F41A 21/22; F41C 23/00; F41C 7/00;
F41J 1/10; F41G 1/30
See application file for complete search history.

(56) **References Cited**

U.S. PATENT DOCUMENTS

6,295,754	B1	10/2001	Otteman et al.	
7,188,978	B2 *	3/2007	Sharrah	F21S 9/02 362/396
D628,323	S *	11/2010	Matthews	D22/108
D628,324	S	11/2010	Matthews et al.	
D651,628	S *	1/2012	Wang	D16/132
D672,005	S *	12/2012	Hedeen	D22/109
D709,158	S *	7/2014	Wells	D22/108
D712,001	S *	8/2014	Wells	D22/108
D732,134	S *	6/2015	Wells	D22/108
D738,455	S *	9/2015	Homem de Mello Anderson	D22/109
D762,806	S *	8/2016	Chavez	D22/109

9,459,078	B1	10/2016	Kinzel	
9,551,550	B2	1/2017	Wells	
D781,983	S *	3/2017	Wells	D22/108
D790,097	S *	6/2017	Port	D26/39

(Continued)

FOREIGN PATENT DOCUMENTS

WO	WO 2011/091018	7/2011
WO	WO 2016/114995	7/2013

OTHER PUBLICATIONS

“7 Best Pistol Lights [2019 Hands-On Review]” [online]. pewpewtactical.com. [Published on Dec. 16, 2019]. Retrieved from the Internet: <<https://www.pewpewtactical.com/best-pistol-lights/>>.*

Primary Examiner — Khawaja Anwar
Assistant Examiner — Mojtaba Tehrani

(74) *Attorney, Agent, or Firm* — Haynes and Boone, LLP

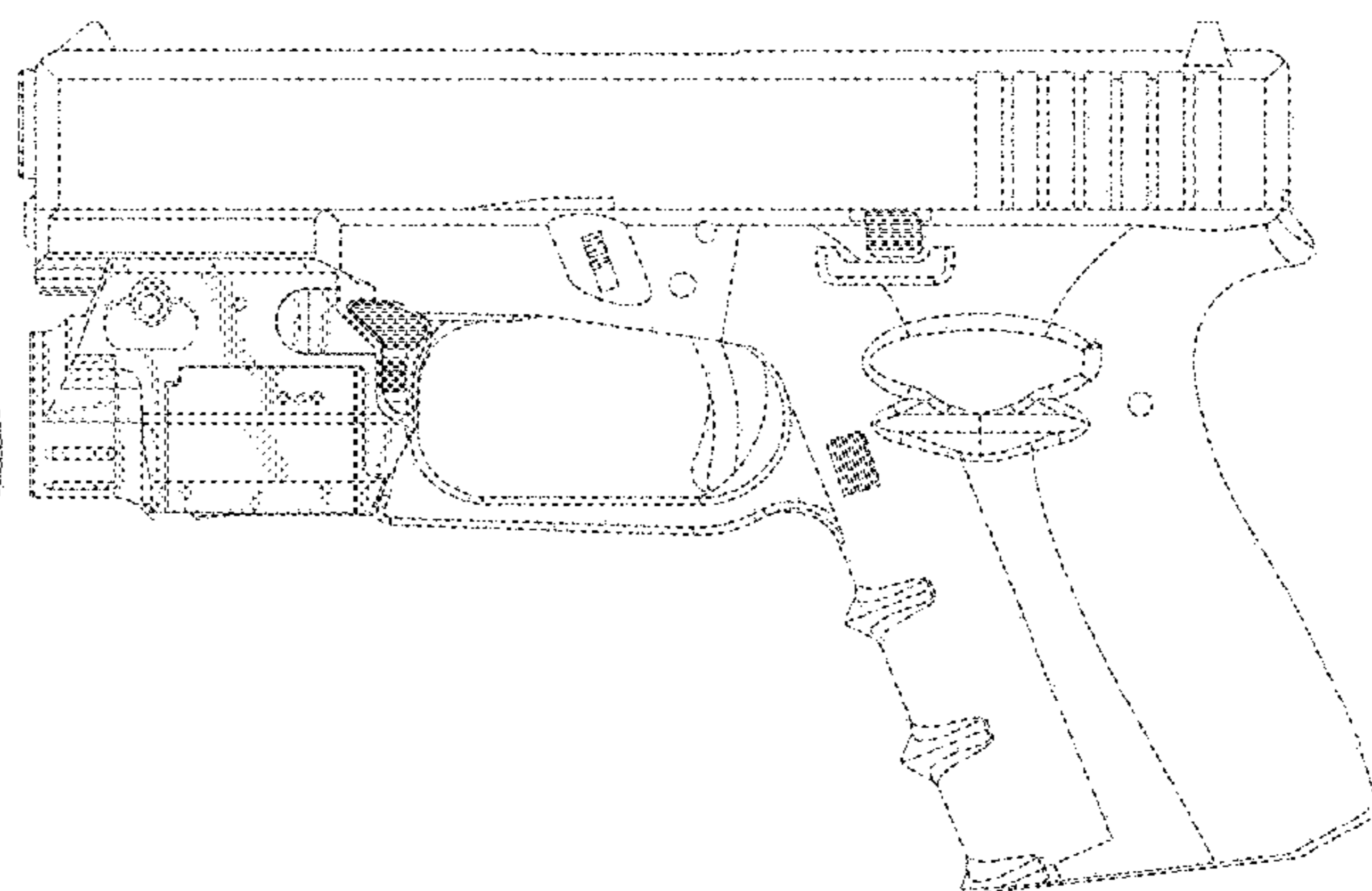
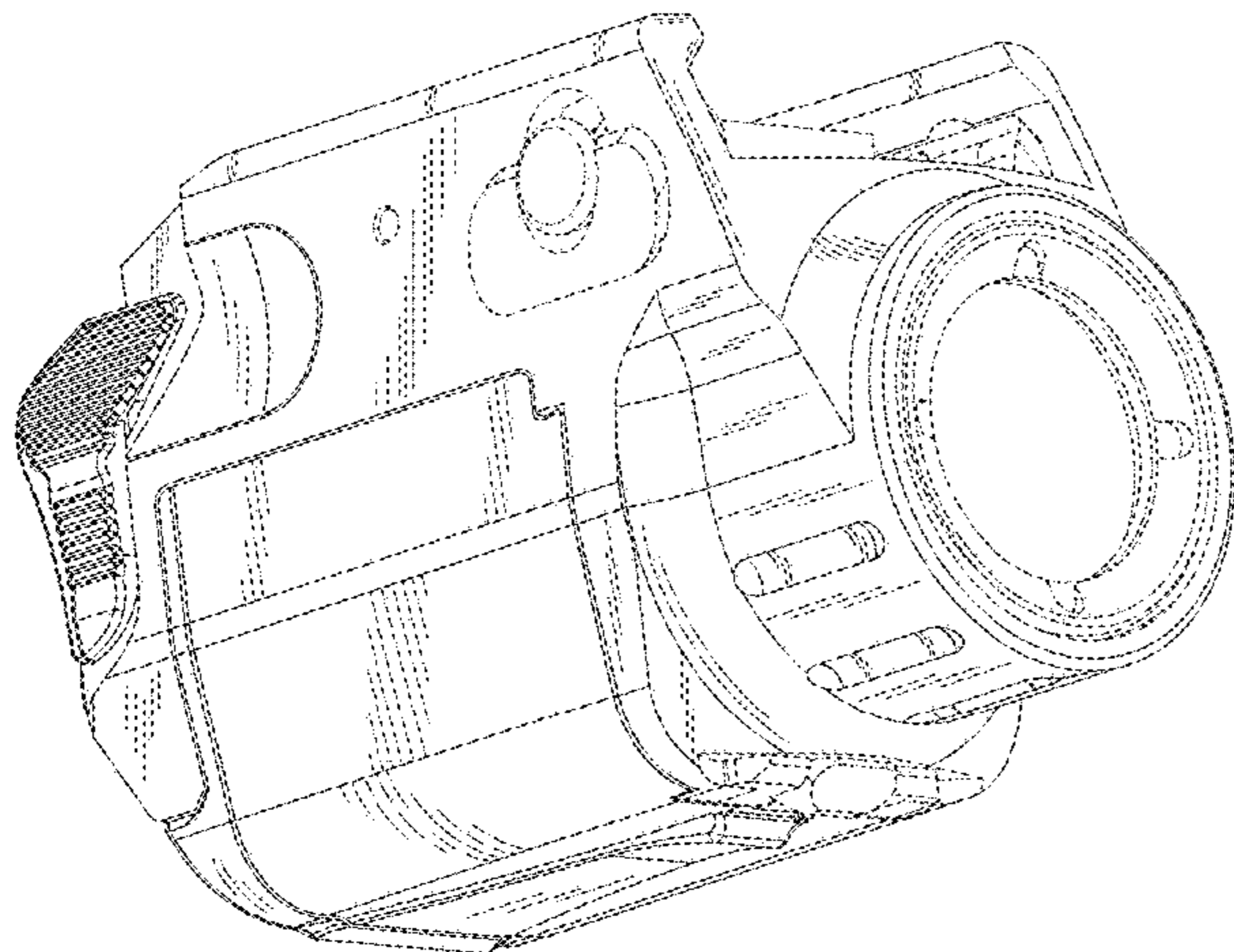
(57) **CLAIM**

The ornamental design for a lighting device, as shown and described.

DESCRIPTION

FIG. 1 is a front left upper perspective view of a lighting device showing our new design; FIG. 2 is a front right lower perspective view thereof; FIG. 3 is a rear right upper perspective view thereof; FIG. 4 is a rear left lower perspective view thereof; FIG. 5 is a front side elevational view thereof; FIG. 6 is a rear side elevational view thereof; FIG. 7 is a right side elevational view thereof; FIG. 8 is a left side elevational view thereof; FIG. 9 is a top plan view thereof; and FIG. 10 is a bottom plan view thereof; and, FIG. 11 is a left side elevational view of the lighting device mounted on an example firearm. The broken lines in the drawings illustrate environmental features and form no part of the claimed design.

1 Claim, 11 Drawing Sheets



(56)

References Cited

U.S. PATENT DOCUMENTS

D798,356 S * 9/2017 Grasheim D16/132
D800,864 S * 10/2017 Hartley D22/109
D807,981 S * 1/2018 Cheng D22/108
D812,178 S * 3/2018 Galli D22/108
D830,491 S * 10/2018 Mock D22/109
10,344,959 B2 * 7/2019 Worman F21V 23/0421
D857,268 S * 8/2019 Worman D26/60
D857,960 S * 8/2019 Worman D26/60
D862,633 S * 10/2019 Tuller D22/109
2008/0202010 A1 * 8/2008 Matthews F41G 1/35
42/115
2010/0176741 A1 * 7/2010 Sharrah F21V 21/0885
315/291
2013/0133238 A1 5/2013 Quetschke et al.
2016/0209167 A1 * 7/2016 Wells F41C 27/00

* cited by examiner

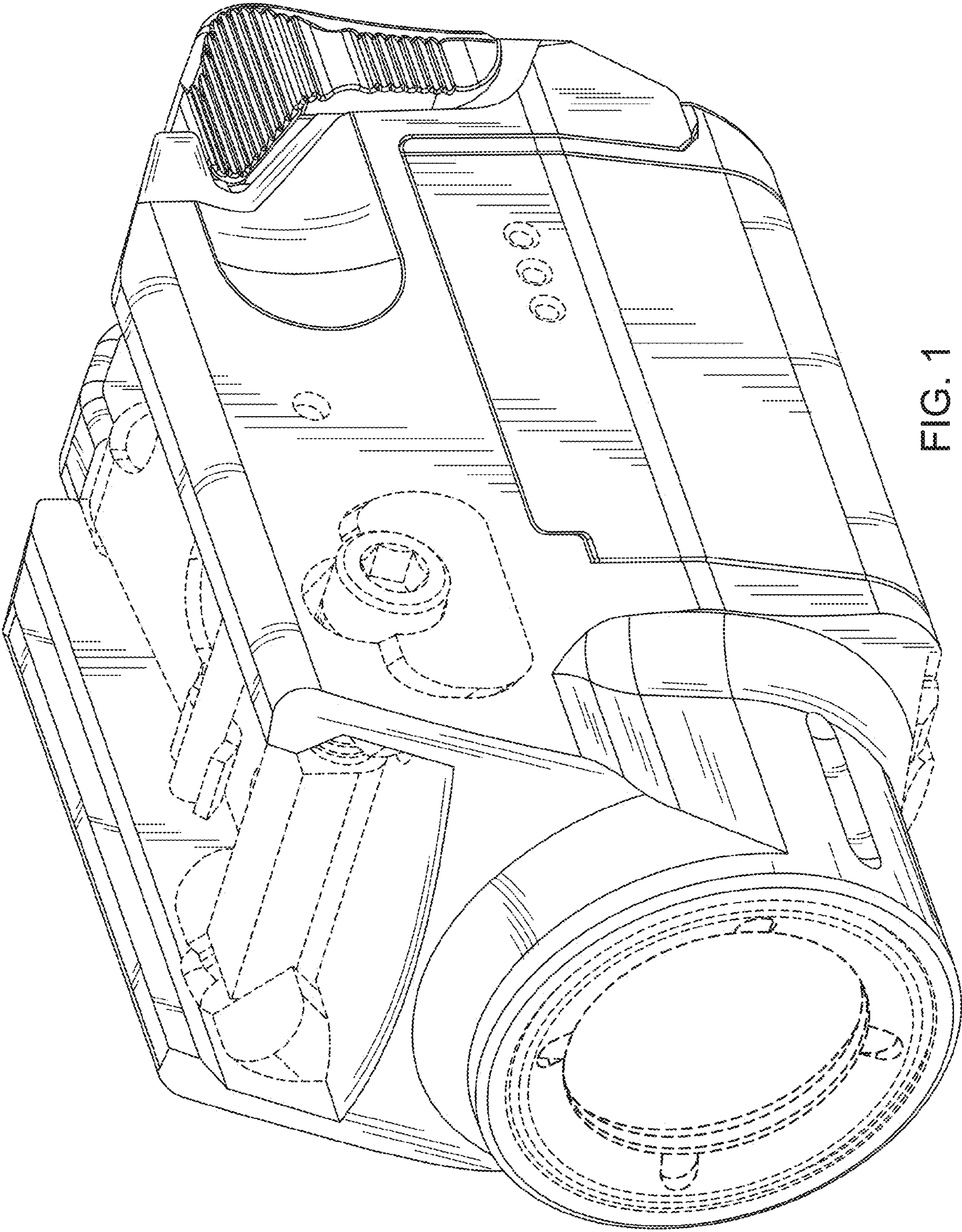


FIG. 1

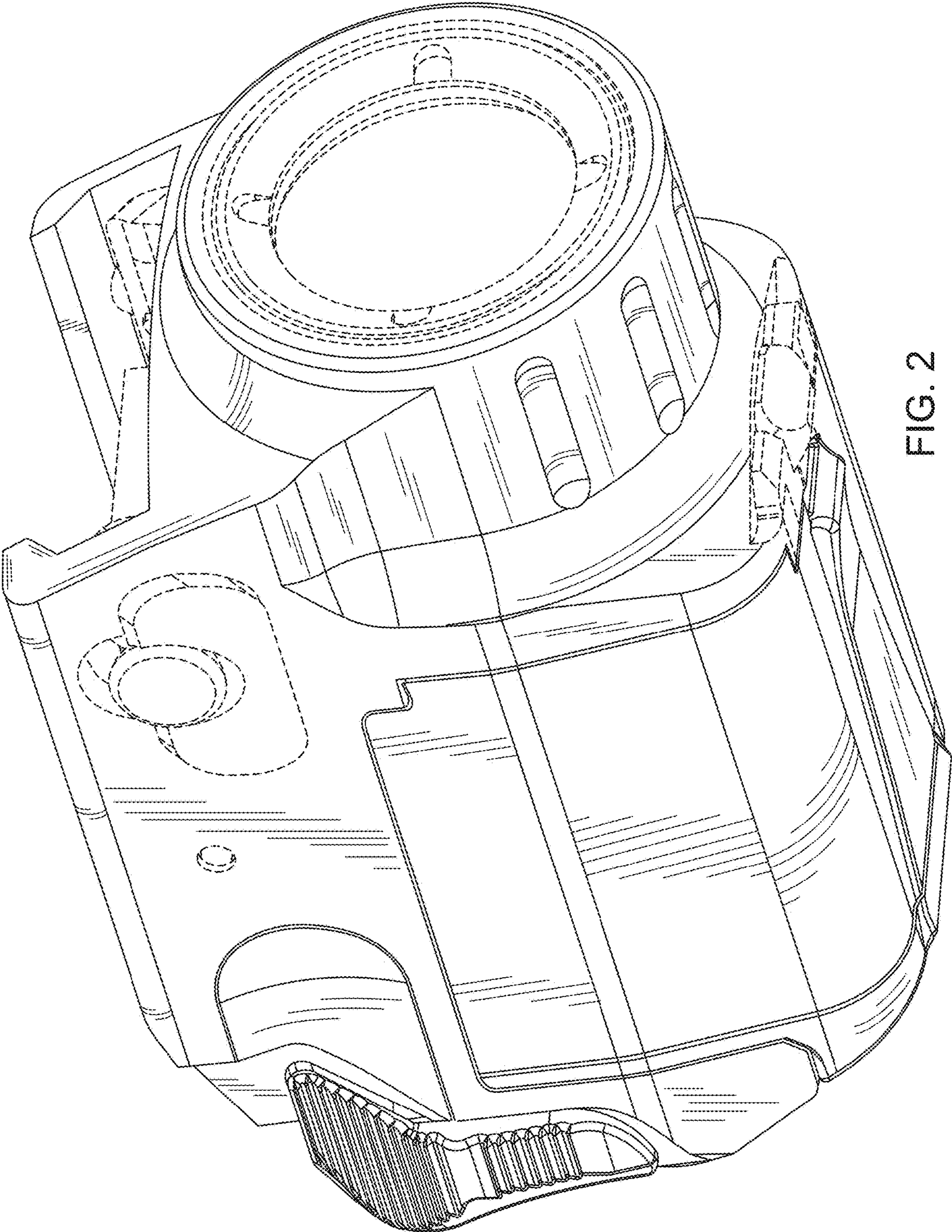


FIG. 2

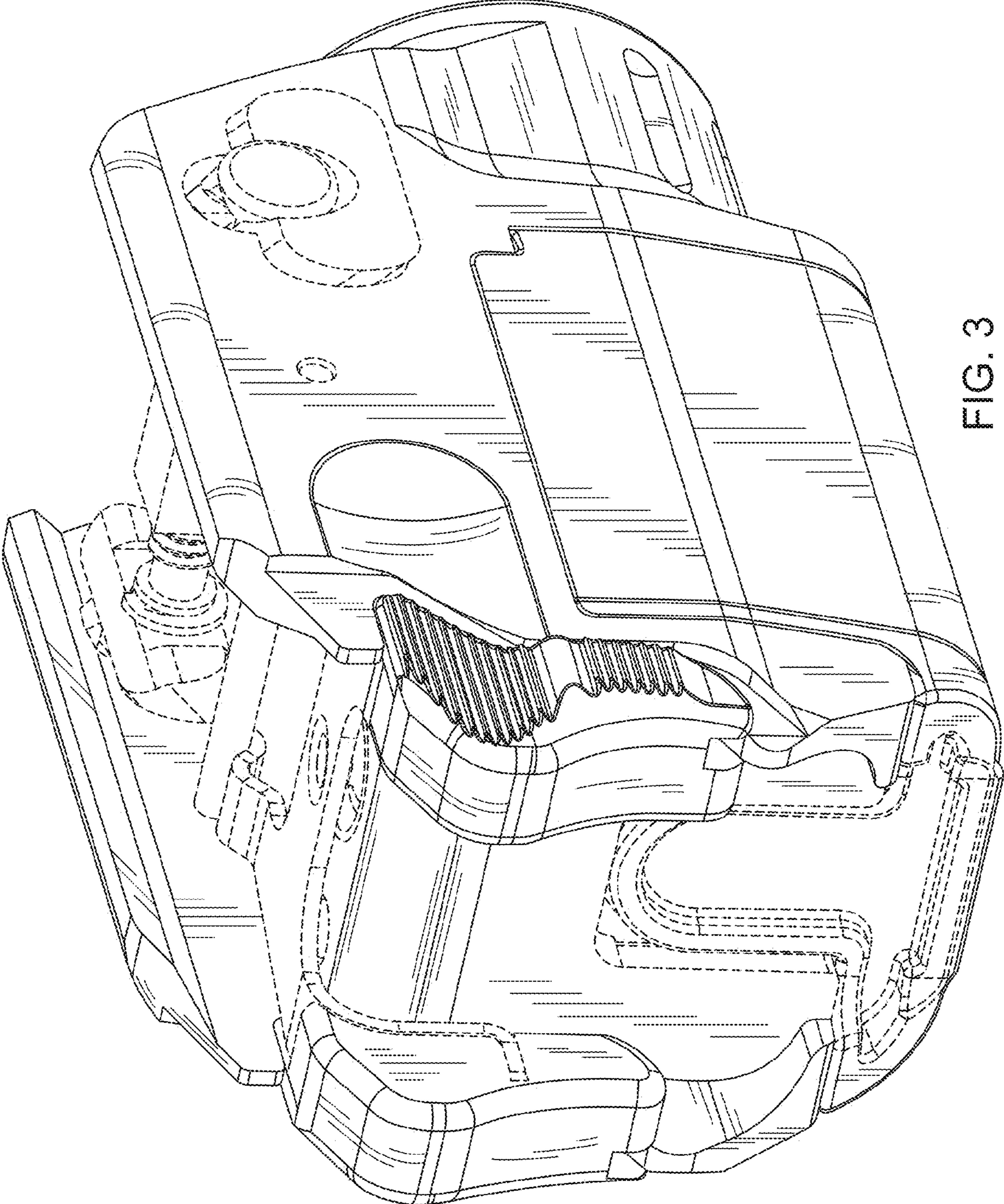


FIG. 3

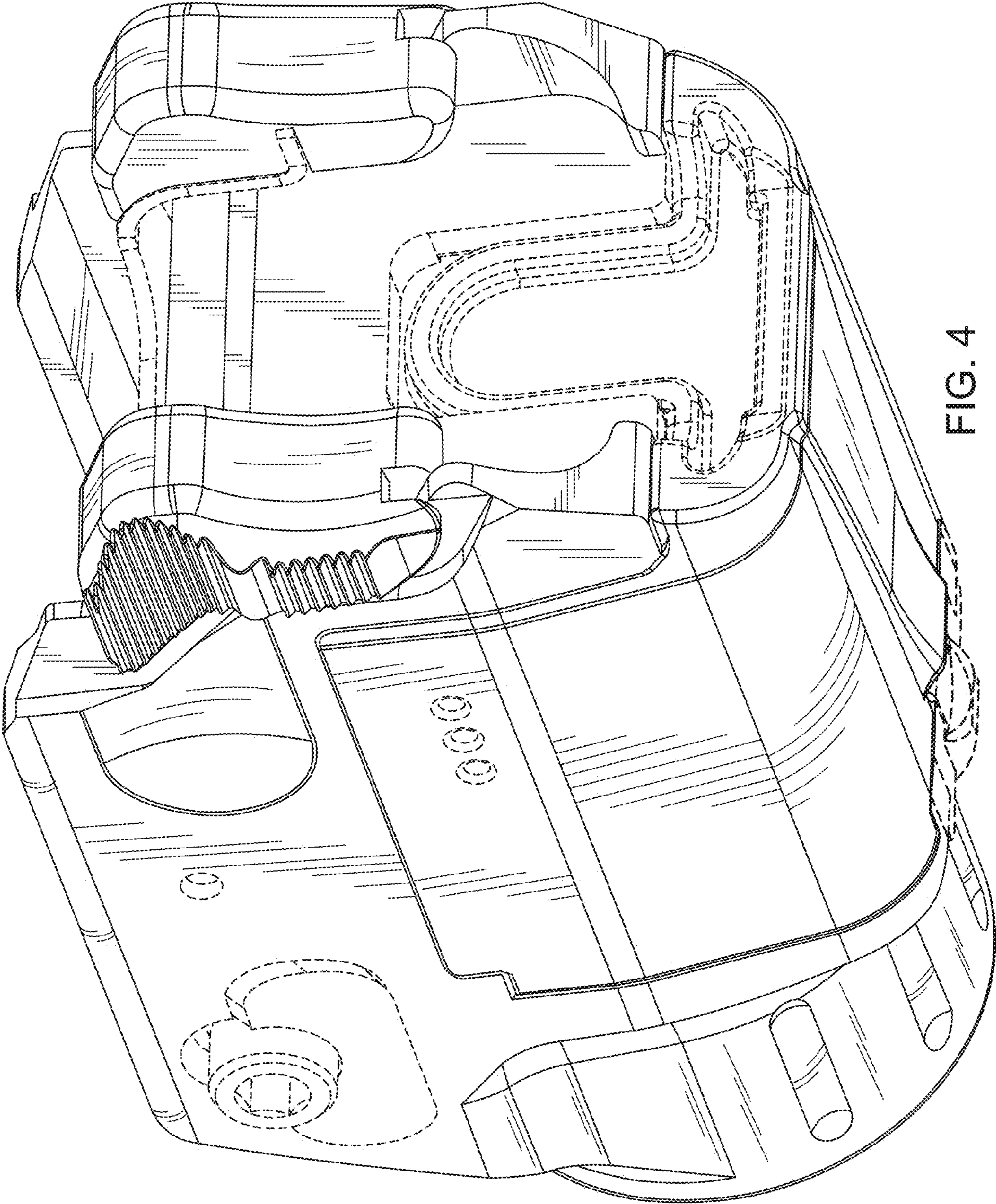


FIG. 4

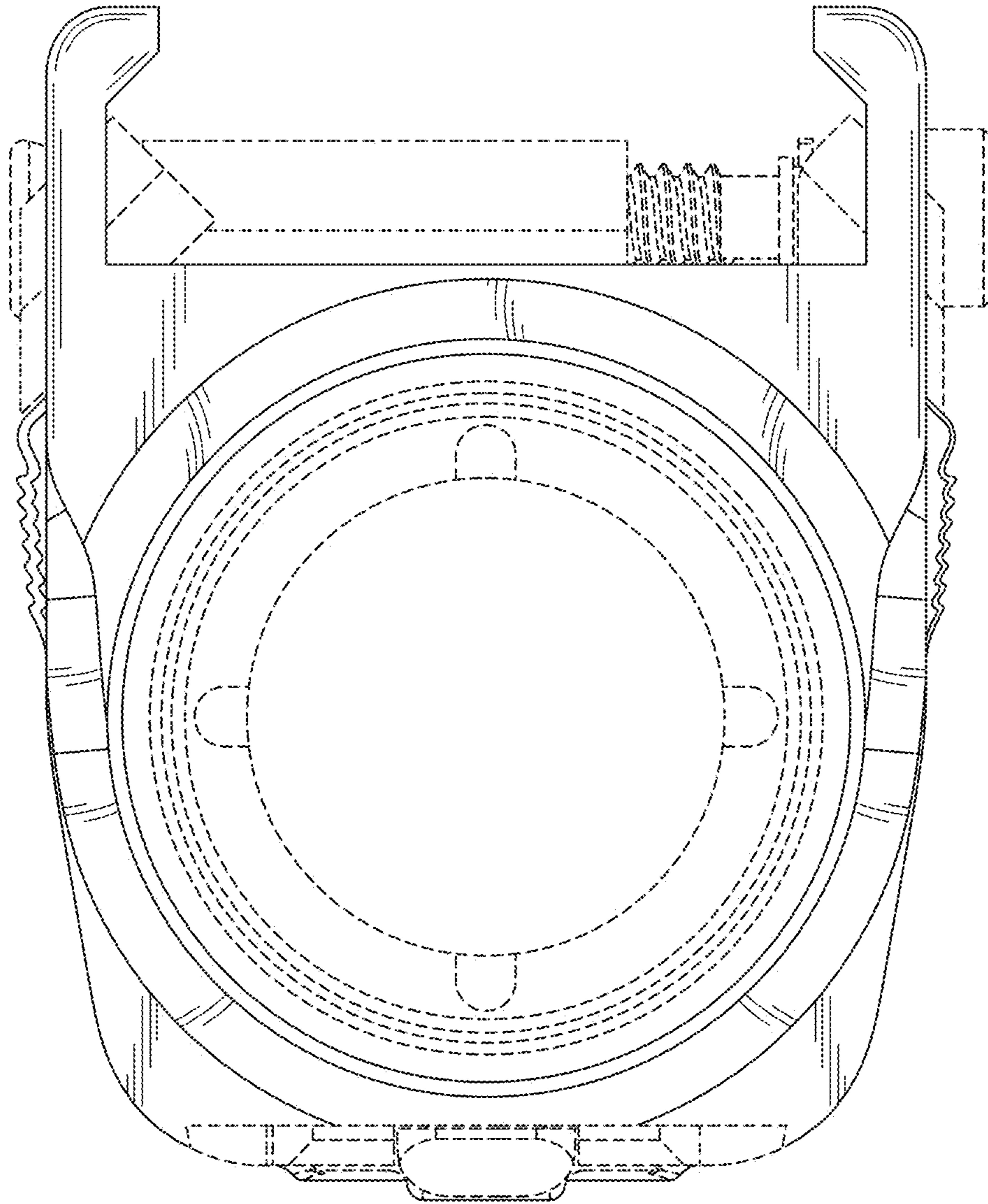


FIG. 5

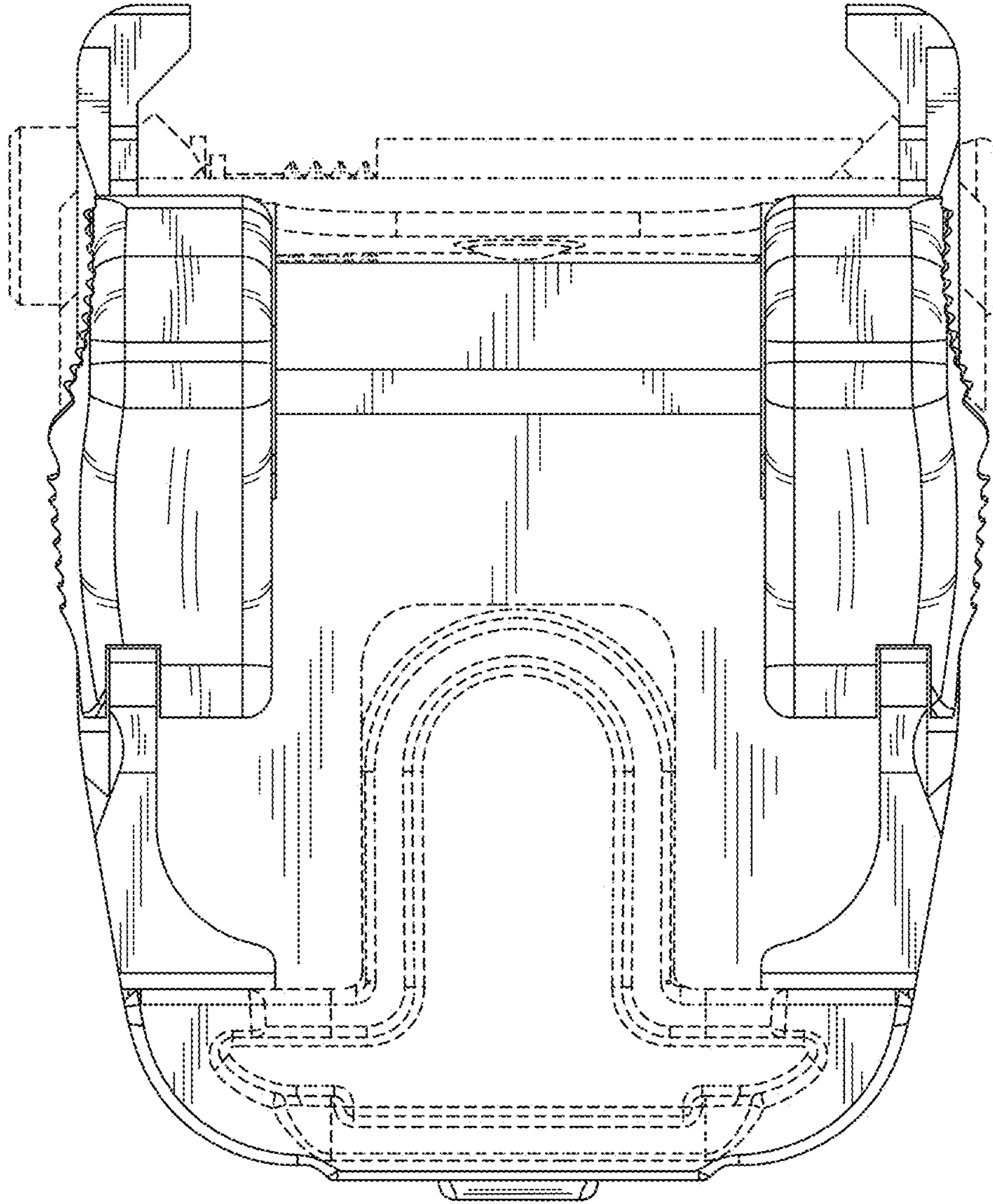


FIG. 6

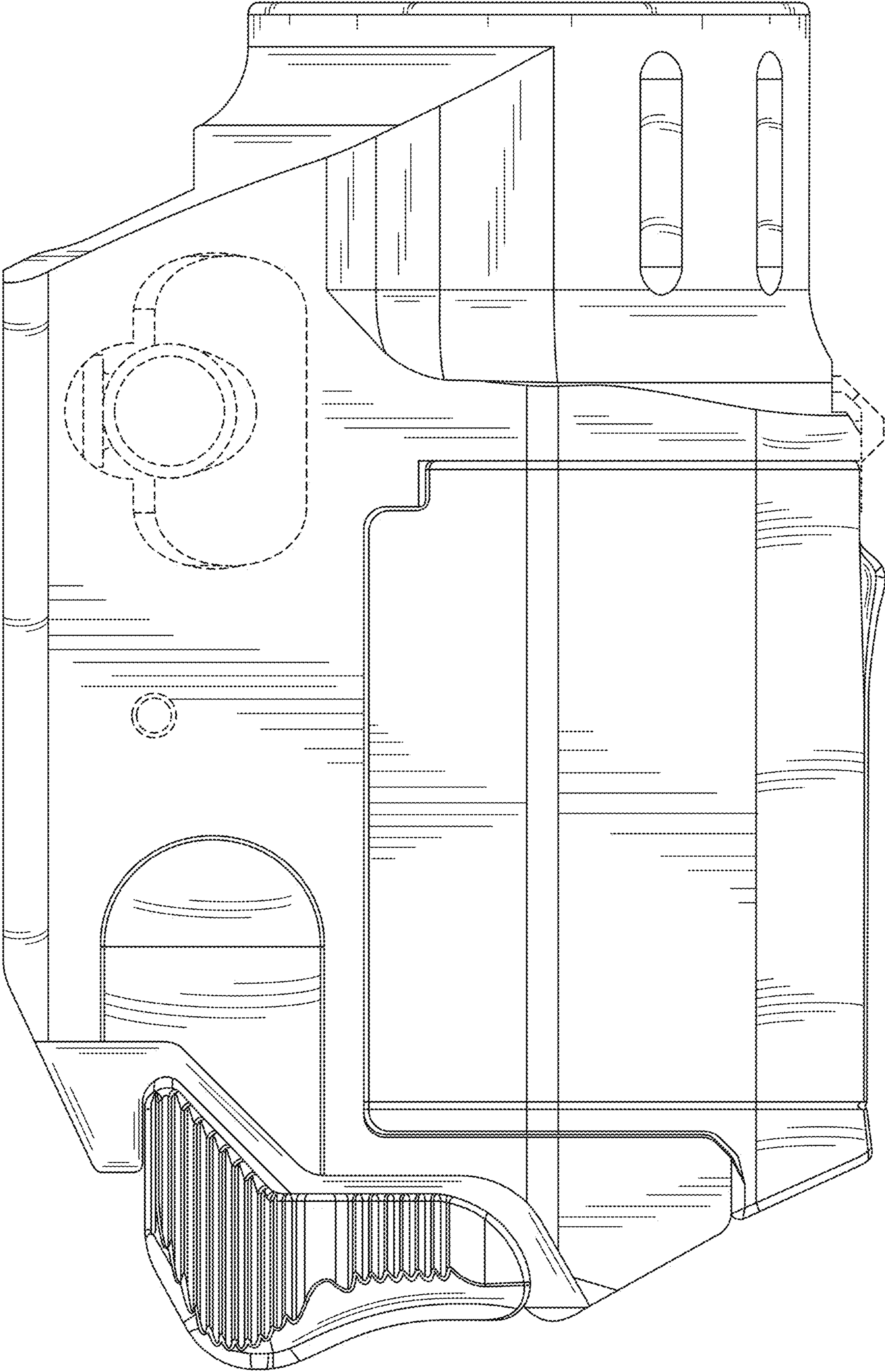


FIG. 7

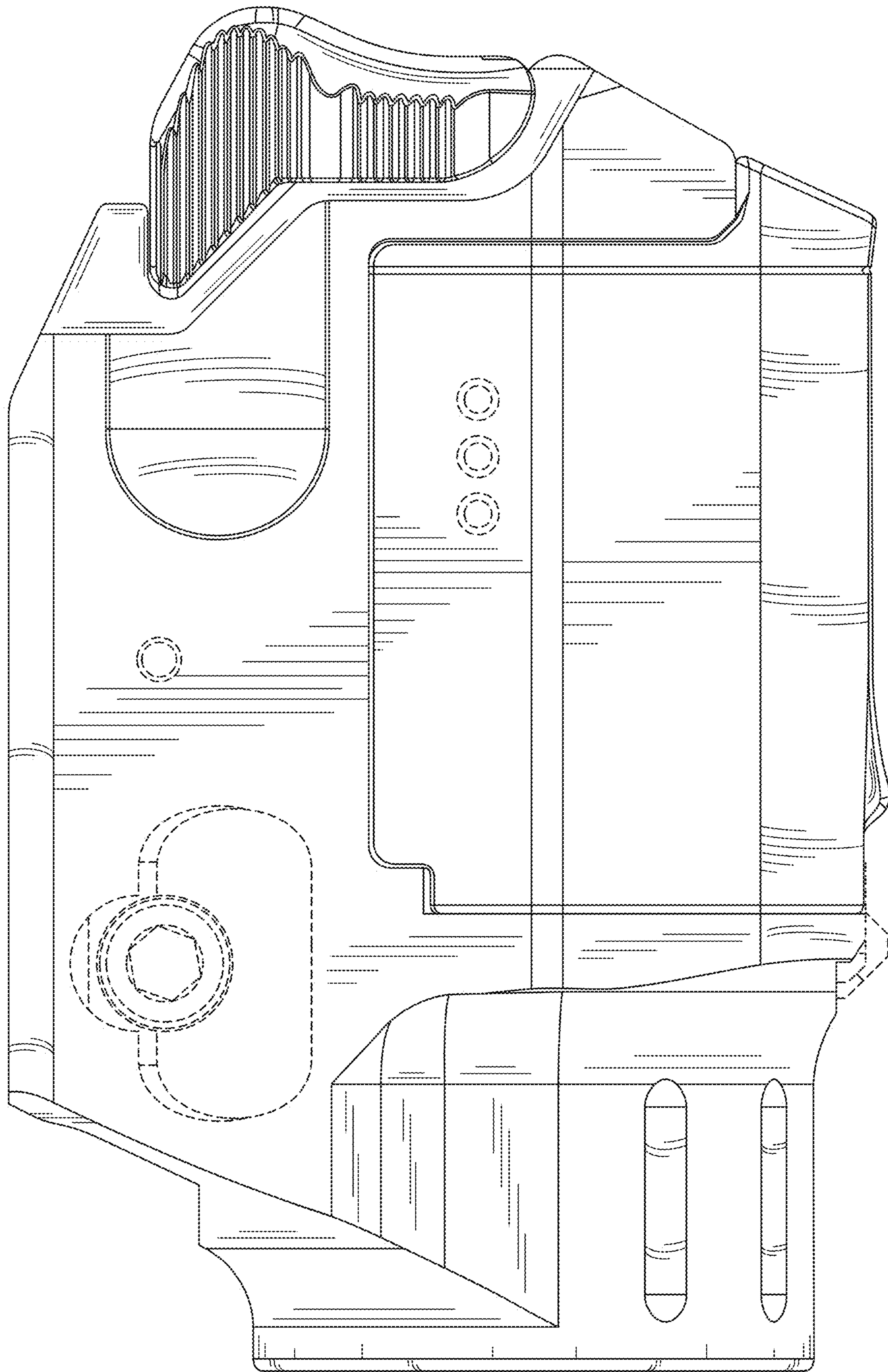


FIG. 8

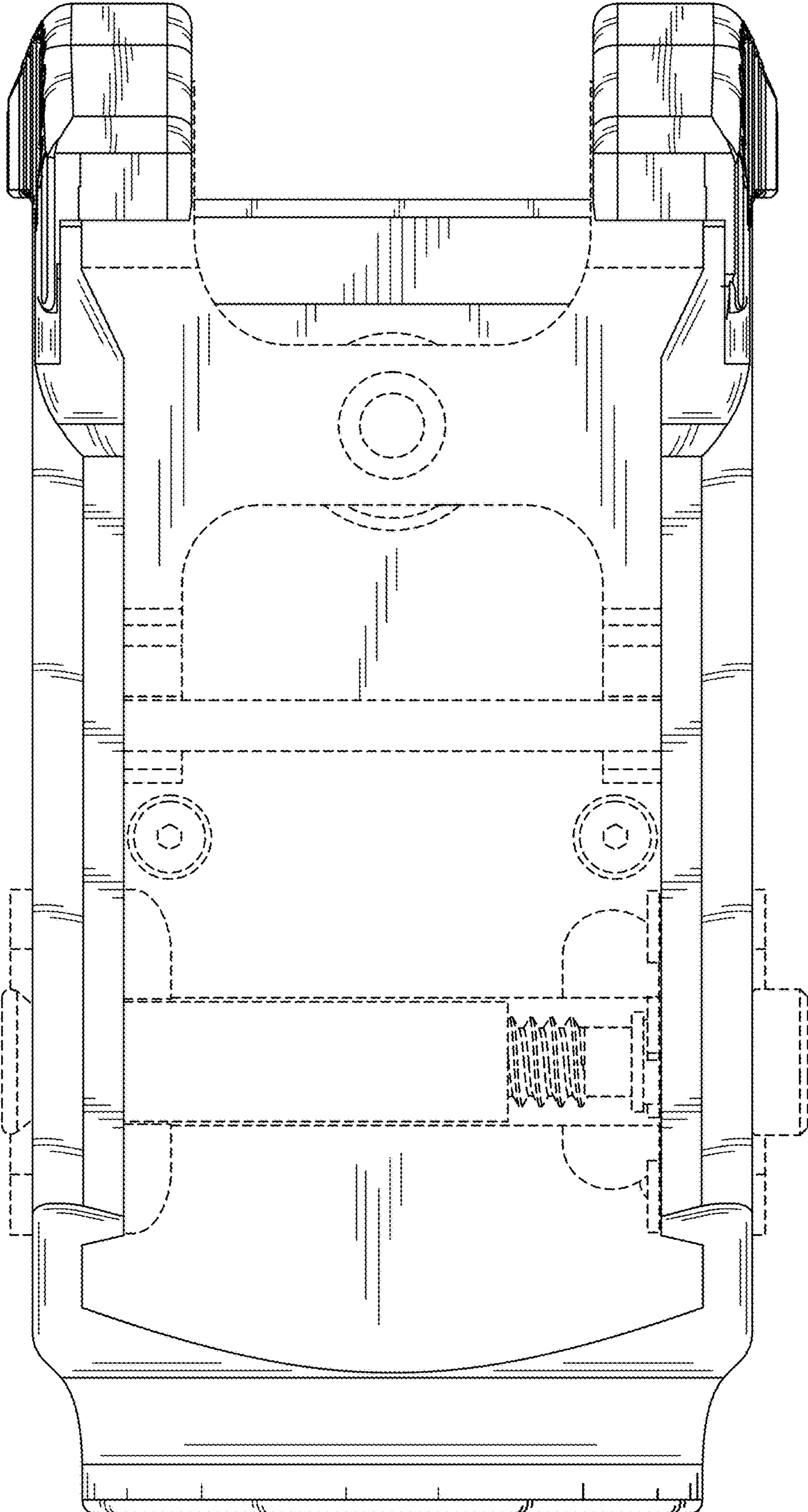


FIG. 9

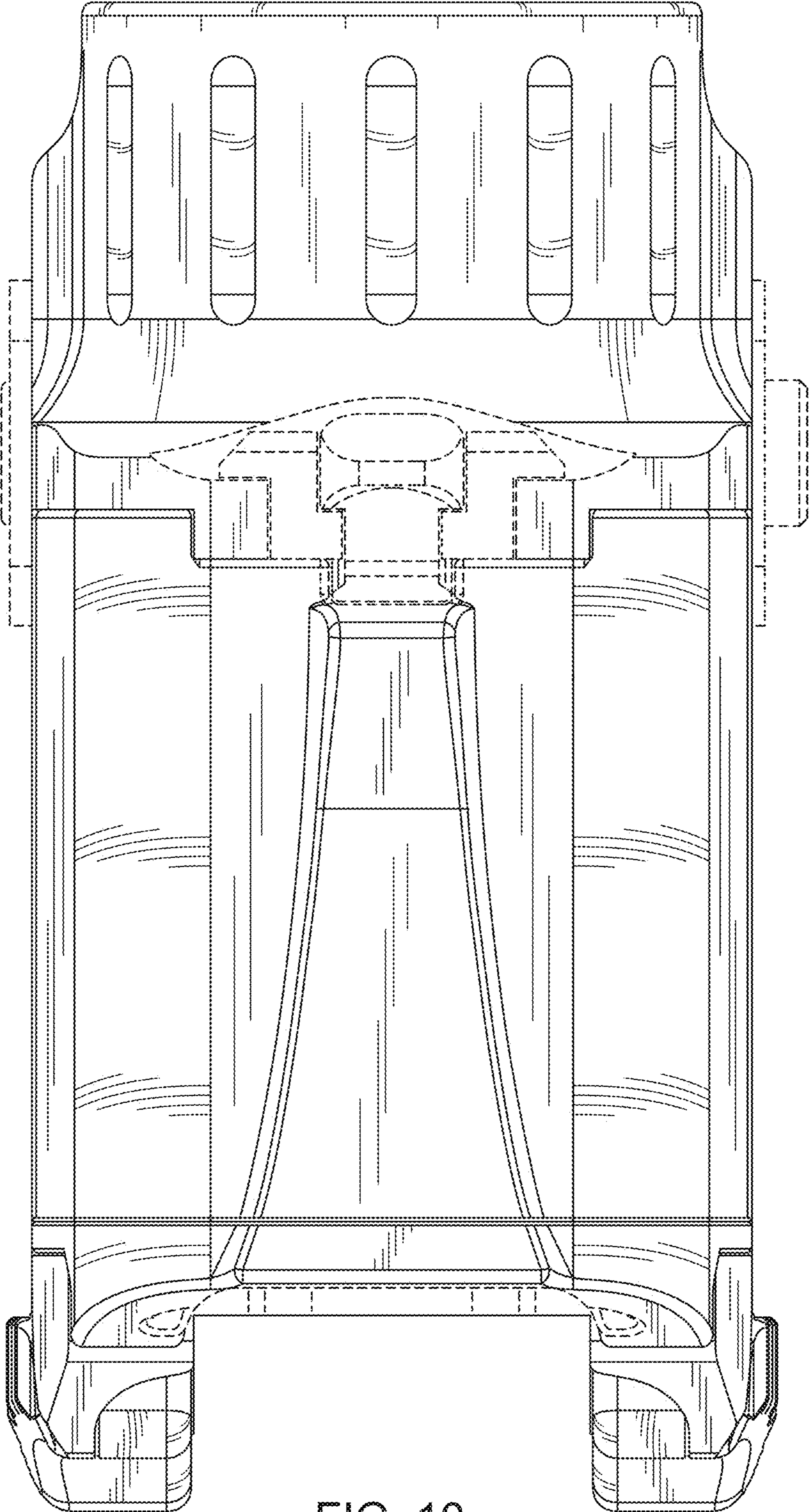


FIG. 10

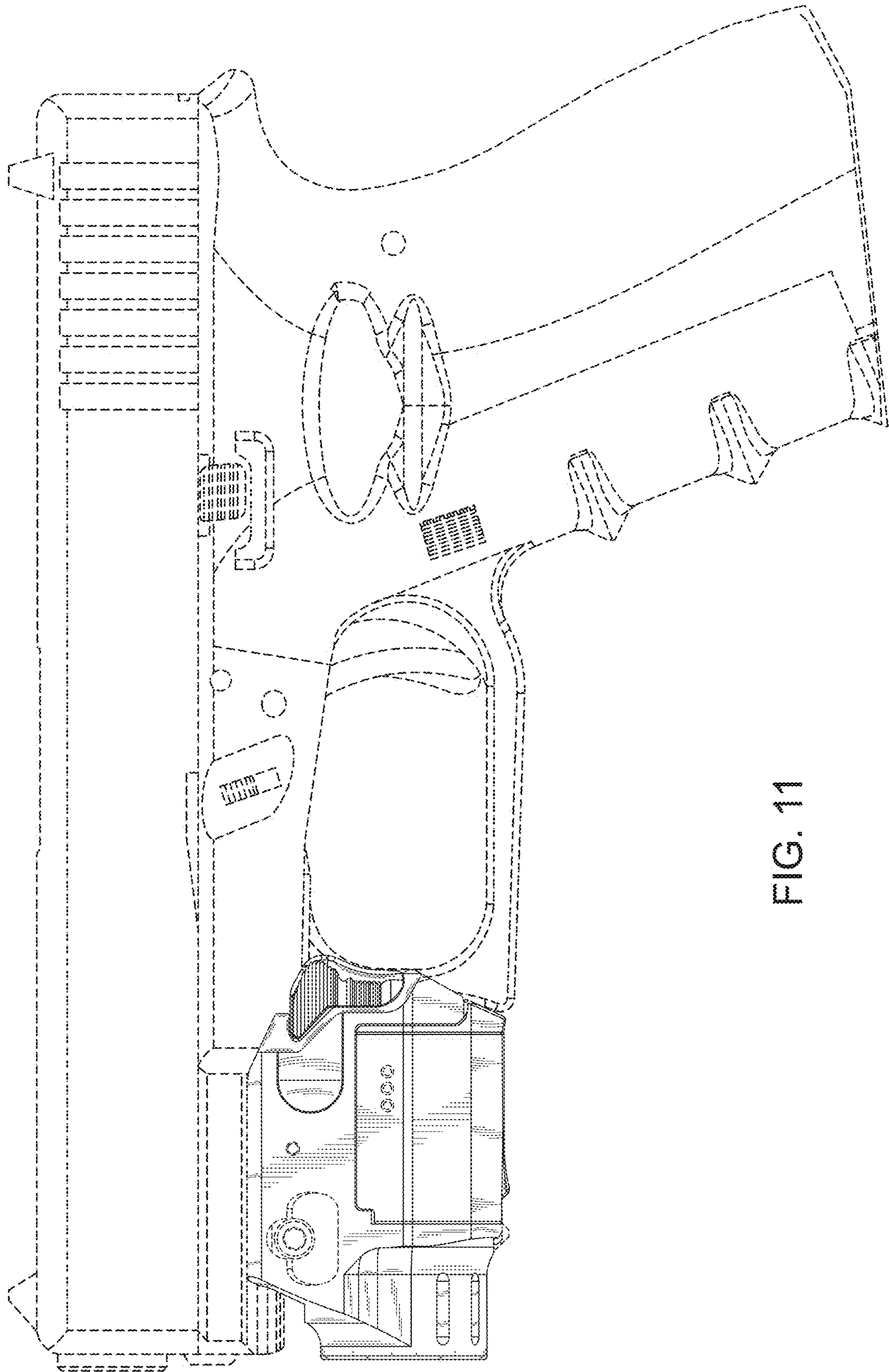


FIG. 11