



US00D885509S

(12) **United States Design Patent**  
**Pittman**

(10) **Patent No.:** **US D885,509 S**

(45) **Date of Patent:** **\*\* May 26, 2020**

(54) **LIGHT MOUNT**

(71) Applicant: **Impact Weapons Components, LLC,**  
Timnath, CO (US)

(72) Inventor: **Earl L. Pittman,** Fort Collins, CO (US)

(73) Assignee: **Impact Weapons Components, LLC,**  
Timnath, CO (US)

(\*\*) Term: **15 Years**

(21) Appl. No.: **29/668,884**

(22) Filed: **Nov. 2, 2018**

(51) **LOC (12) Cl.** ..... **22-01**

(52) **U.S. Cl.**  
USPC ..... **D22/108**

(58) **Field of Classification Search**  
USPC ..... D22/100, 103, 104, 105, 108, 109, 110,  
D22/111, 199; D21/567, 573, 574, 575  
CPC ..... F41C 23/04; F41C 23/08; F41C 23/16;  
F41G 1/02; F41G 1/027; F41G 1/06;  
F41A 17/46; F41A 19/11  
See application file for complete search history.

(56) **References Cited**

**U.S. PATENT DOCUMENTS**

|           |     |         |          |       |             |
|-----------|-----|---------|----------|-------|-------------|
| 4,905,396 | A * | 3/1990  | Bechtel  | ..... | F41G 11/003 |
|           |     |         |          |       | 42/124      |
| D573,443  | S * | 7/2008  | Swan     | ..... | D8/343      |
| D586,875  | S * | 2/2009  | Swan     | ..... | D22/109     |
| D600,311  | S * | 9/2009  | Swan     | ..... | D22/109     |
| D607,959  | S * | 1/2010  | Moody    | ..... | D22/109     |
| D670,352  | S * | 11/2012 | Norberg  | ..... | D22/108     |
| D708,694  | S * | 7/2014  | Wells    | ..... | D22/108     |
| D725,223  | S * | 3/2015  | Heidkamp | ..... | D22/109     |
| D733,246  | S * | 6/2015  | Wells    | ..... | D22/108     |
| D733,249  | S * | 6/2015  | Cheng    | ..... | D22/109     |
| D754,274  | S * | 4/2016  | Geissele | ..... | D22/108     |
| D756,763  | S * | 5/2016  | Swan     | ..... | D22/109     |
| D758,518  | S * | 6/2016  | Daniel   | ..... | D22/108     |

|              |      |         |           |       |             |
|--------------|------|---------|-----------|-------|-------------|
| 9,625,233    | B2 * | 4/2017  | Daniel    | ..... | F41C 23/16  |
| D794,322     | S *  | 8/2017  | Wasankari | ..... | D3/211      |
| D813,973     | S *  | 3/2018  | McKillips | ..... | D22/109     |
| 9,964,380    | B1 * | 5/2018  | Oglesby   | ..... | F41C 23/16  |
| D827,759     | S *  | 9/2018  | Jen       | ..... | D22/108     |
| D828,898     | S *  | 9/2018  | McKillips | ..... | D22/108     |
| D835,745     | S *  | 12/2018 | Storch    | ..... | D22/108     |
| 10,473,432   | B2 * | 11/2019 | Jen       | ..... | F41G 11/003 |
| 2015/0219422 | A1 * | 8/2015  | Kinzel    | ..... | F41G 11/003 |
|              |      |         |           |       | 29/525.11   |

**OTHER PUBLICATIONS**

“Midwest Industries New MLOK Rail for Kriss Vector”. [online].  
Nicholas C. [Published on Nov. 21, 2016]. Retrieved from the  
Internet: <<https://www.thefirearmblog.com/blog/2016/11/21/midwest-industries-new-mlok-rail-kriss-vector/>>.\*

\* cited by examiner

*Primary Examiner* — Khawaja Anwar  
*Assistant Examiner* — Mojtaba Tehrani  
(74) *Attorney, Agent, or Firm* — Cooley LLP

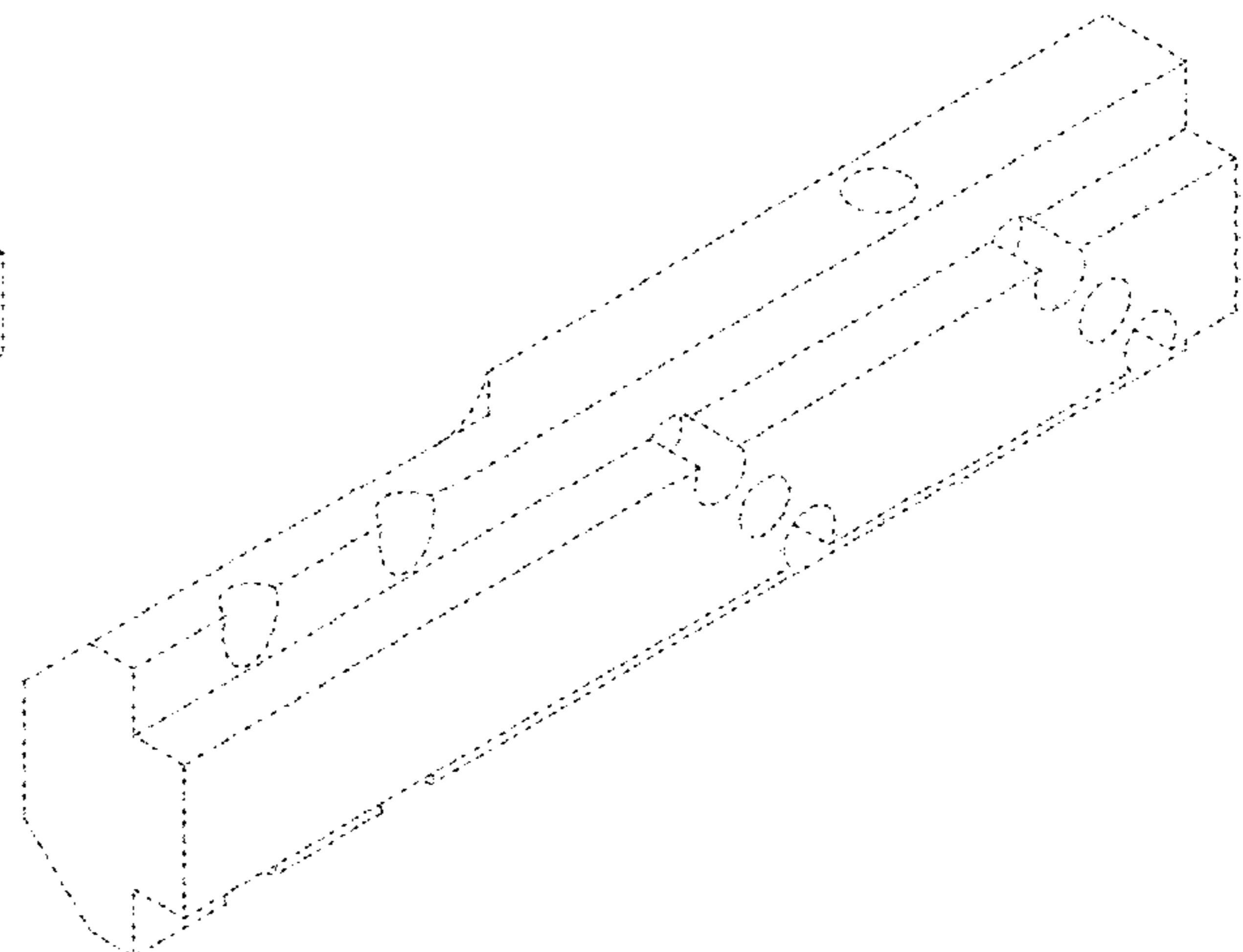
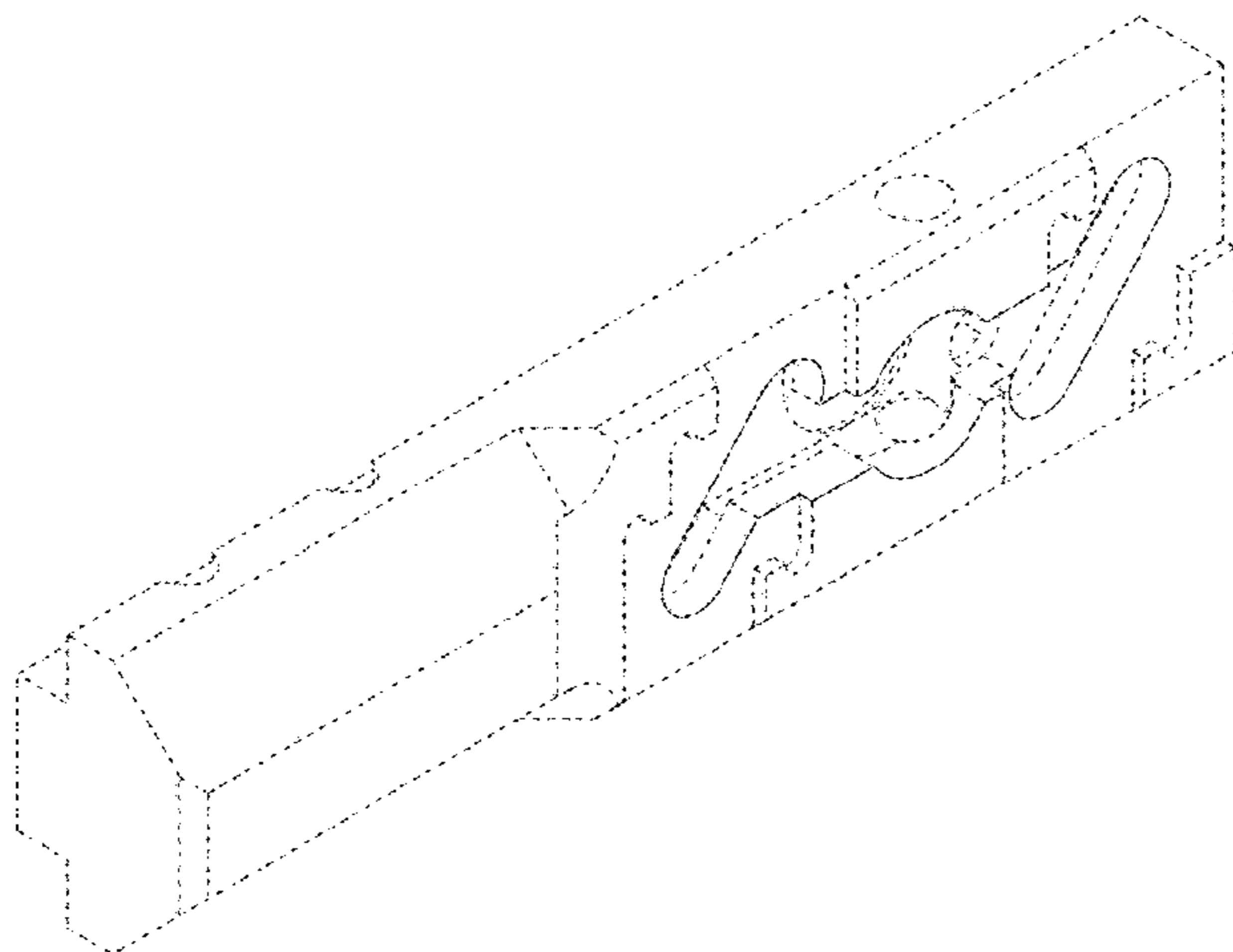
(57) **CLAIM**

The ornamental design for a light mount, as shown and described.

**DESCRIPTION**

FIG. 1 is a top perspective view of a light mount, showing my new design;  
FIG. 2 is bottom perspective view thereof;  
FIG. 3 is a front view thereof;  
FIG. 4 is a back view thereof;  
FIG. 5 is a top view thereof;  
FIG. 6 is a bottom view thereof;  
FIG. 7 is a left side view thereof; and,  
FIG. 8 is a right side view thereof.  
The broken lines are directed to unclaimed environment only and form no part of the claimed design.

**1 Claim, 8 Drawing Sheets**



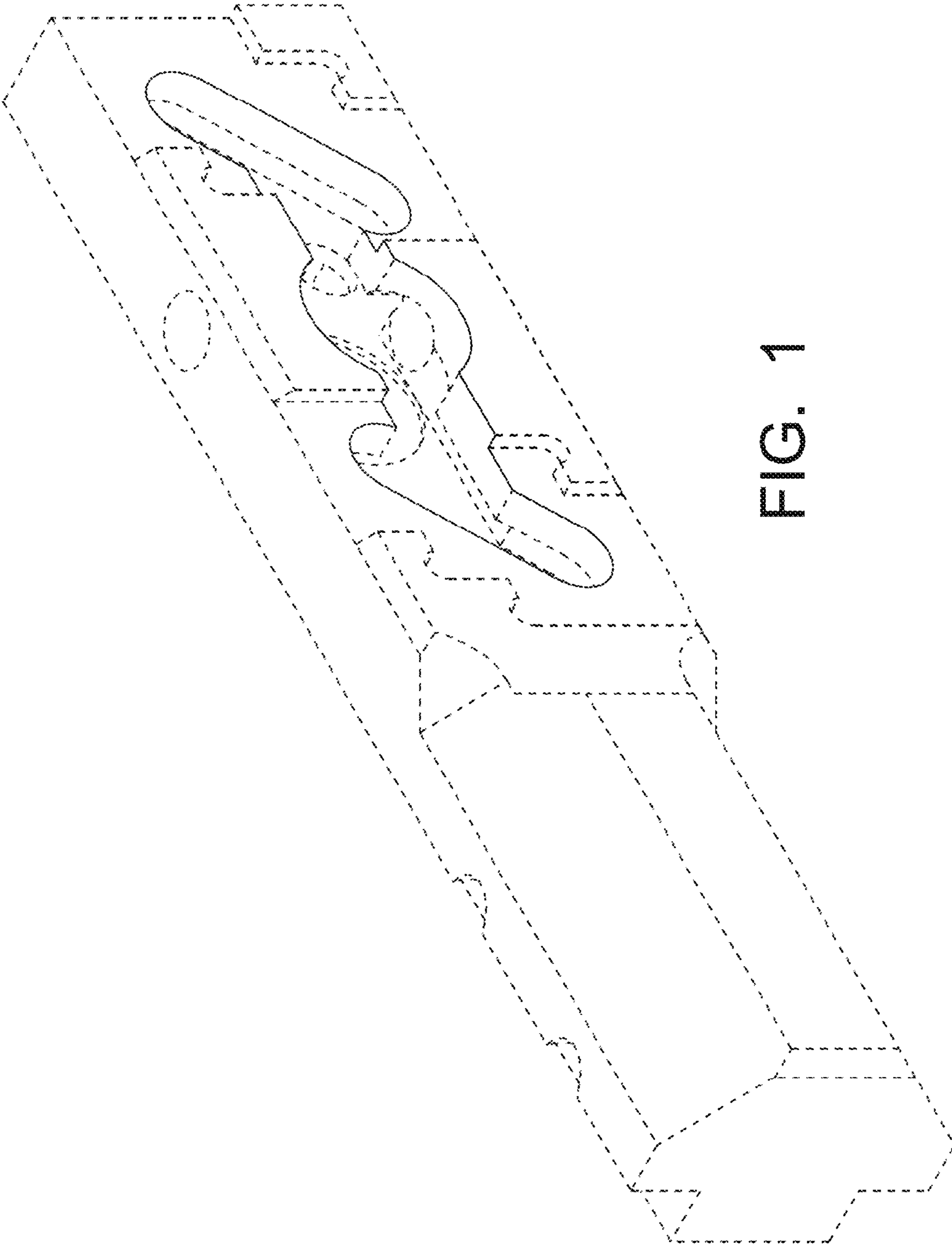


FIG. 1

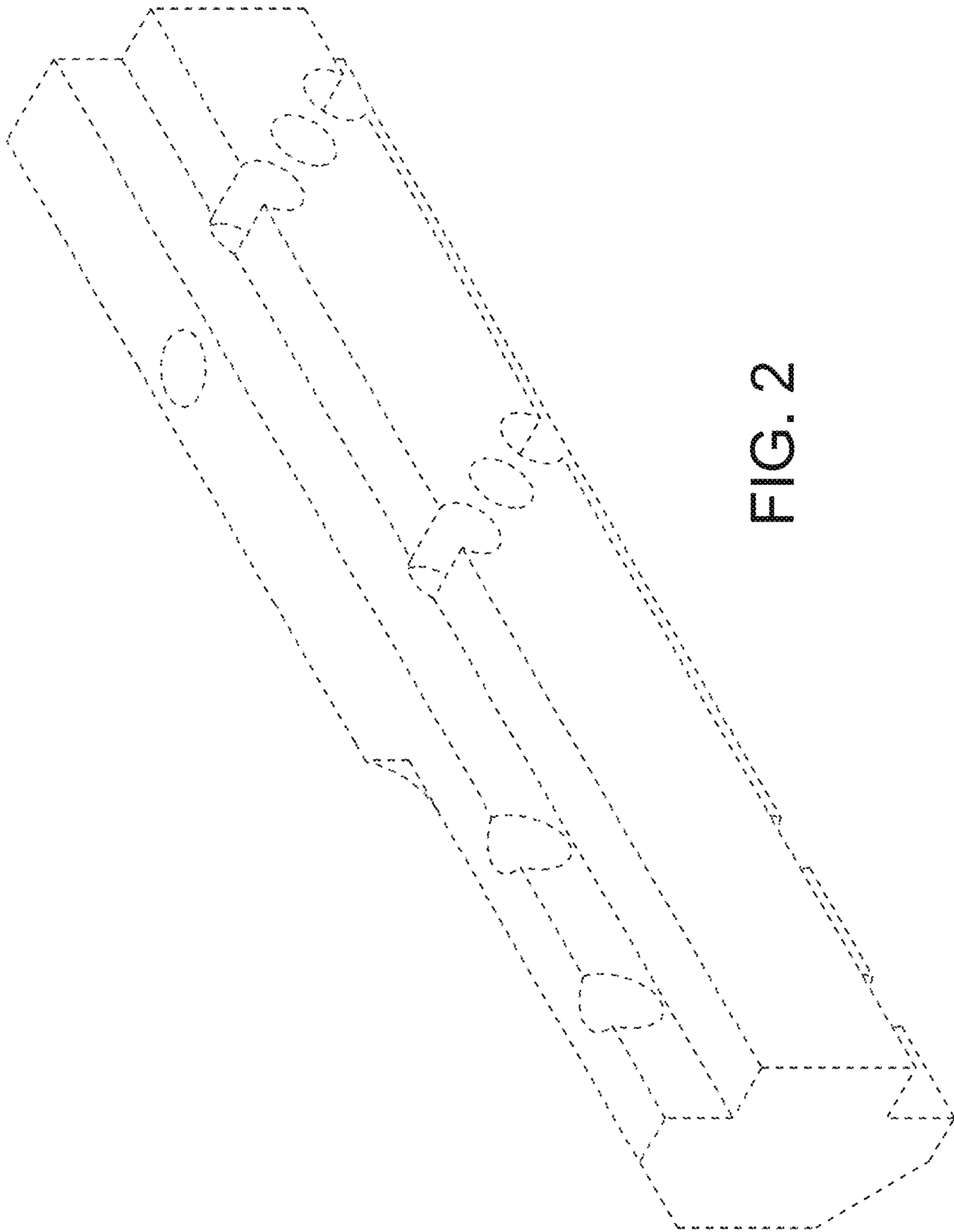


FIG. 2

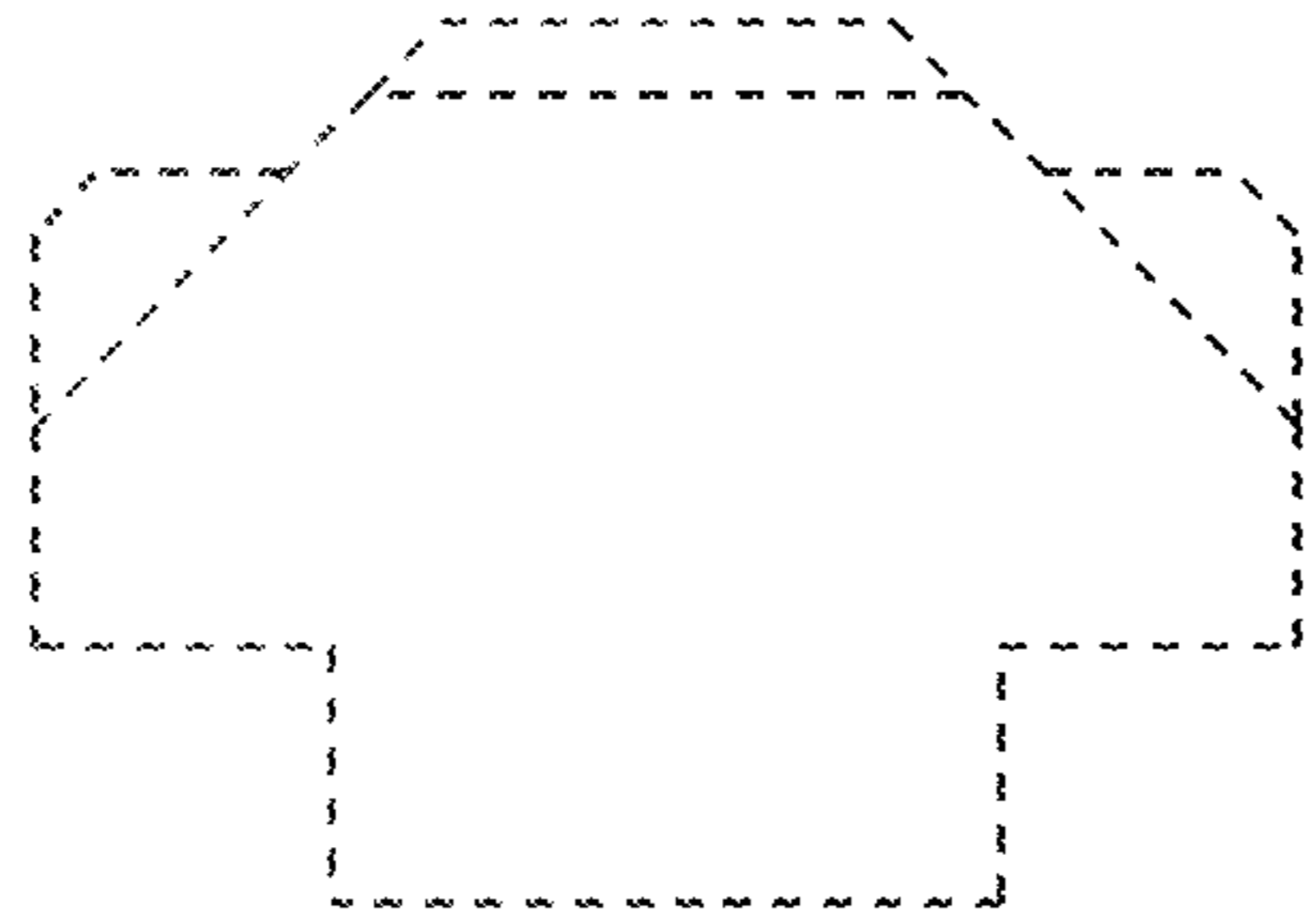


FIG. 3

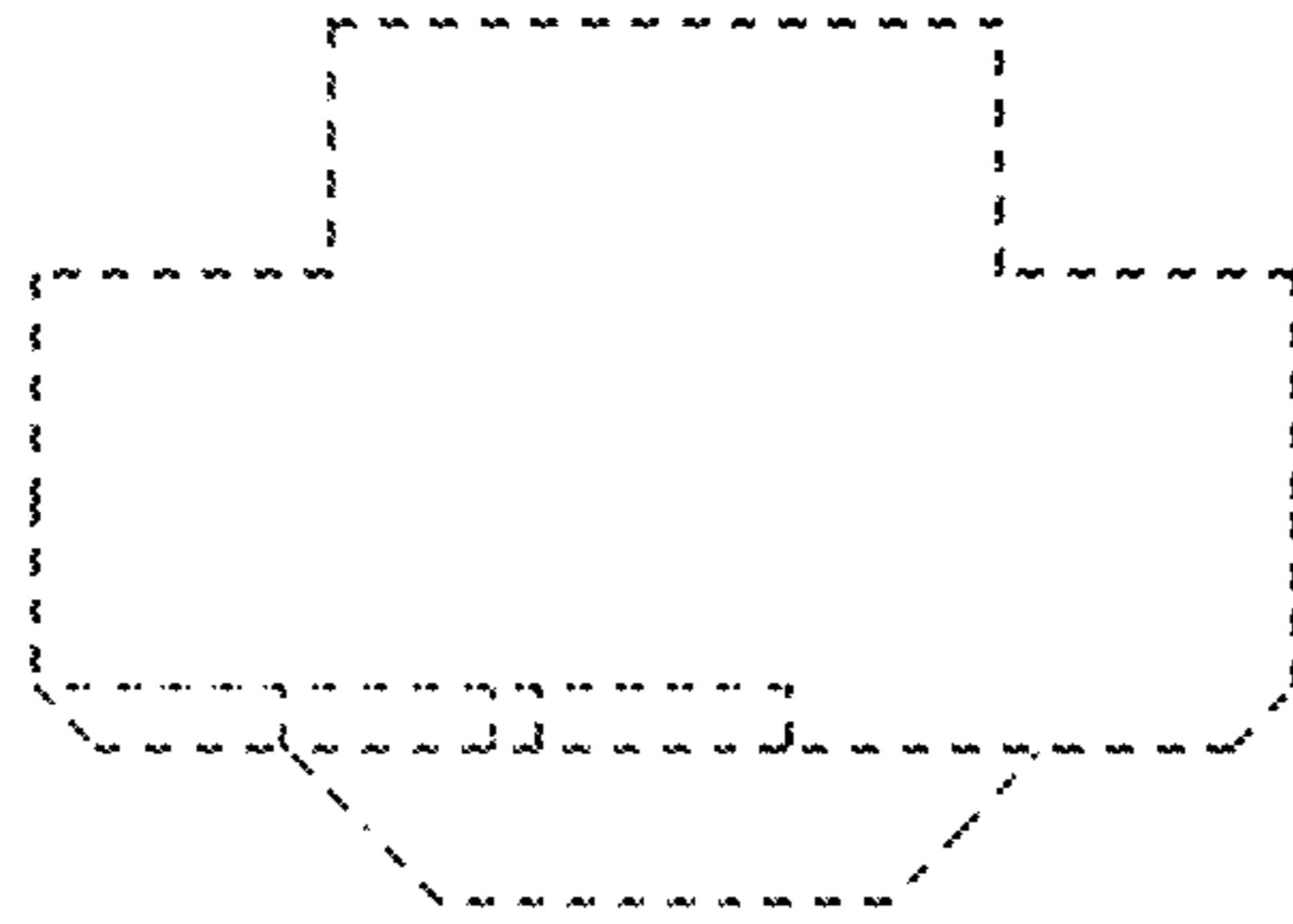


FIG. 4

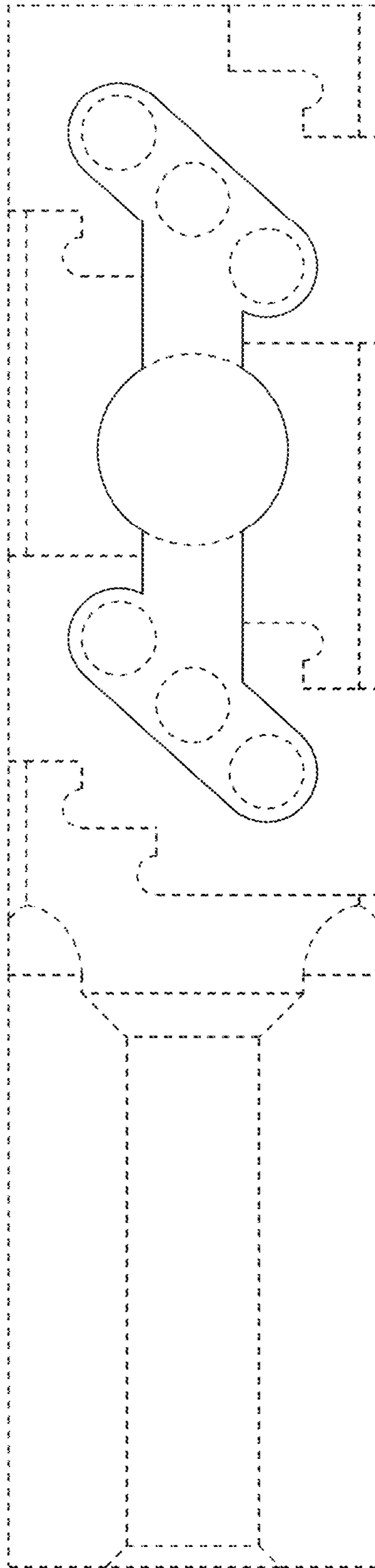


FIG. 5

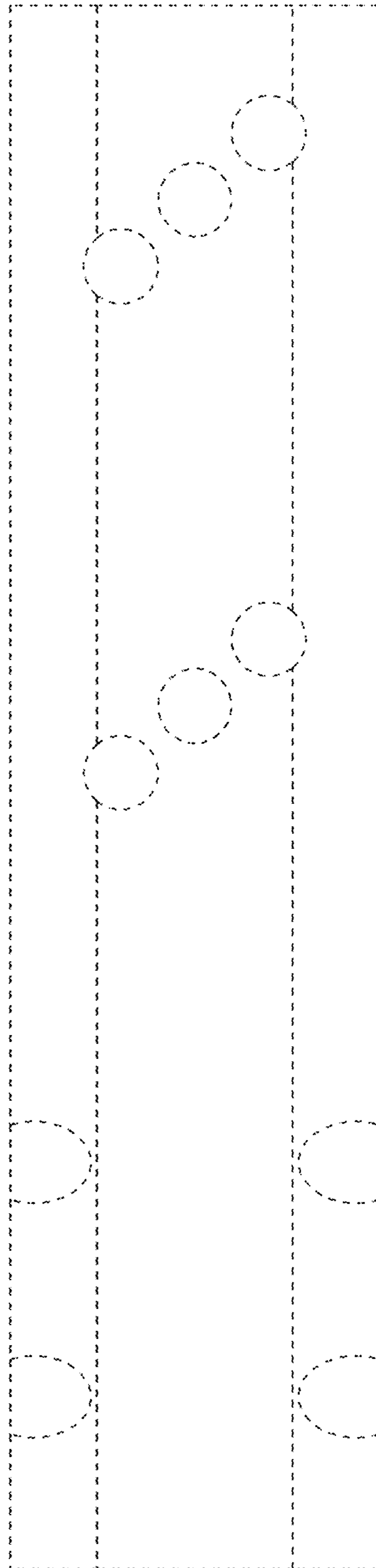


FIG. 6

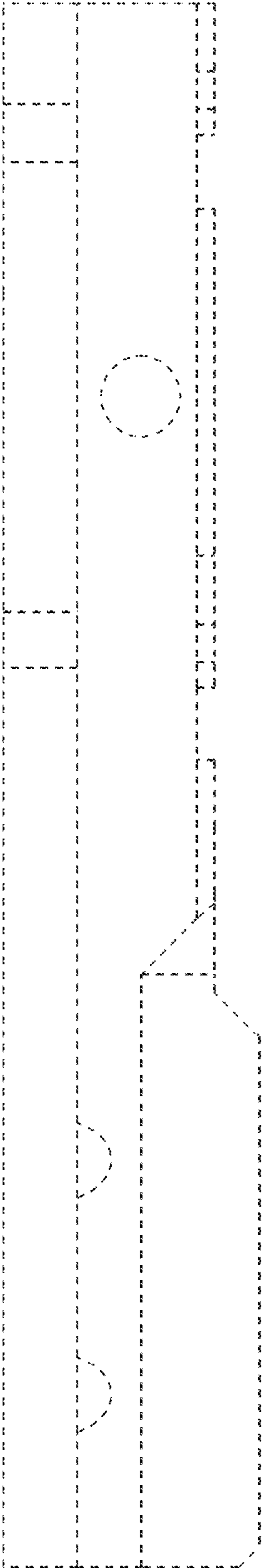


FIG. 7



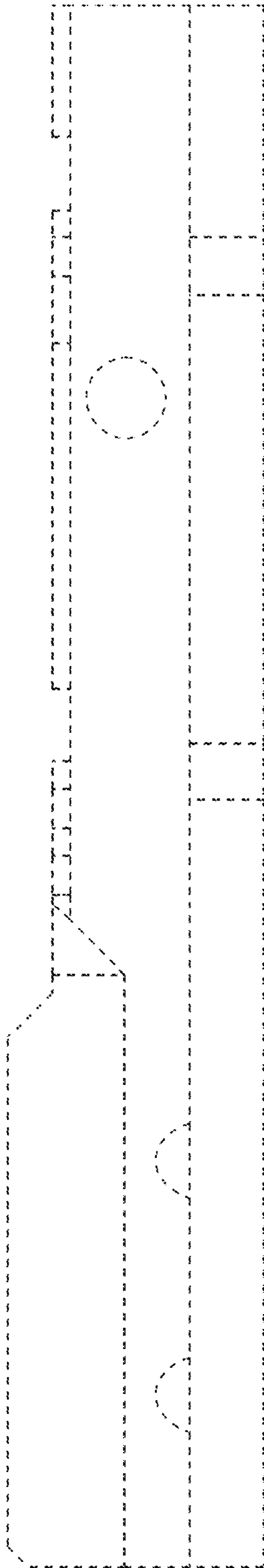


FIG. 8