



US00D885508S

(12) **United States Design Patent**  
**Spector et al.**

(10) **Patent No.:** **US D885,508 S**

(45) **Date of Patent:** **\*\* May 26, 2020**

(54) **THREADED GAS BLOCK**

(71) Applicant: **RFPH, LLC**, Stafford, TX (US)

(72) Inventors: **David Morris Spector**, Missouri City, TX (US); **Phillip Haag**, Rosenberg, TX (US)

(73) Assignee: **RFPH, LLC**, Stafford, TX (US)

(\*\*) Term: **15 Years**

(21) Appl. No.: **29/668,616**

(22) Filed: **Oct. 31, 2018**

(51) **LOC (12) Cl.** ..... **22-01**

(52) **U.S. Cl.**  
USPC ..... **D22/108**

(58) **Field of Classification Search**  
USPC ..... D22/108; D21/572-575  
CPC ..... F41A 5/26; F41A 21/28; F41A 35/00  
See application file for complete search history.

(56) **References Cited**

U.S. PATENT DOCUMENTS

8,596,185	B1 *	12/2013	Soong	.....	F41A 5/28 89/193
D705,889	S	5/2014	Geissele		
D742,990	S	11/2015	Huang		
9,410,756	B2 *	8/2016	Gardner	.....	F41A 5/28
9,719,739	B2	8/2017	Windauer		
9,869,521	B1	1/2018	Huang		
10,466,000	B2 *	11/2019	Gardner	.....	F41A 5/28
2013/0098235	A1 *	4/2013	Reinken	.....	F41A 5/28 89/193
2015/0253091	A1 *	9/2015	Gardner	.....	F41A 5/20 89/193
2016/0305724	A1 *	10/2016	Conway	.....	F41A 5/18
2017/0198997	A1 *	7/2017	Geissele	.....	F41A 5/26
2017/0307315	A1	10/2017	McGloin		

2018/0328684	A1 *	11/2018	Brinson	.....	F41A 5/28
2019/0242663	A1 *	8/2019	Miller	.....	F41A 5/26
2019/0346223	A1 *	11/2019	Smith	.....	F41A 21/28

\* cited by examiner

*Primary Examiner* — Michael A. Pratt

(74) *Attorney, Agent, or Firm* — Patterson & Sheridan, L.L.P.

(57) **CLAIM**

The ornamental design for a threaded gas block, as shown and described.

**DESCRIPTION**

FIG. 1 is an isometric view of a threaded gas block positioned about an upper receiver assembly of an auto-loading firearm showing our new design.

FIG. 2 is an isometric top breach-end view of the threaded gas block of FIG. 1.

FIG. 3 is an isometric top muzzle-end view of the threaded gas block of FIG. 1.

FIG. 4 is an isometric bottom breach-end view of the threaded gas block of FIG. 1.

FIG. 5 is an elevation view of the breach-end of the threaded gas block of FIG. 1.

FIG. 6 is an elevation view of the muzzle-end of the threaded gas block of FIG. 1.

FIG. 7 is a side view of the threaded gas block of FIG. 1, the other side view being identical.

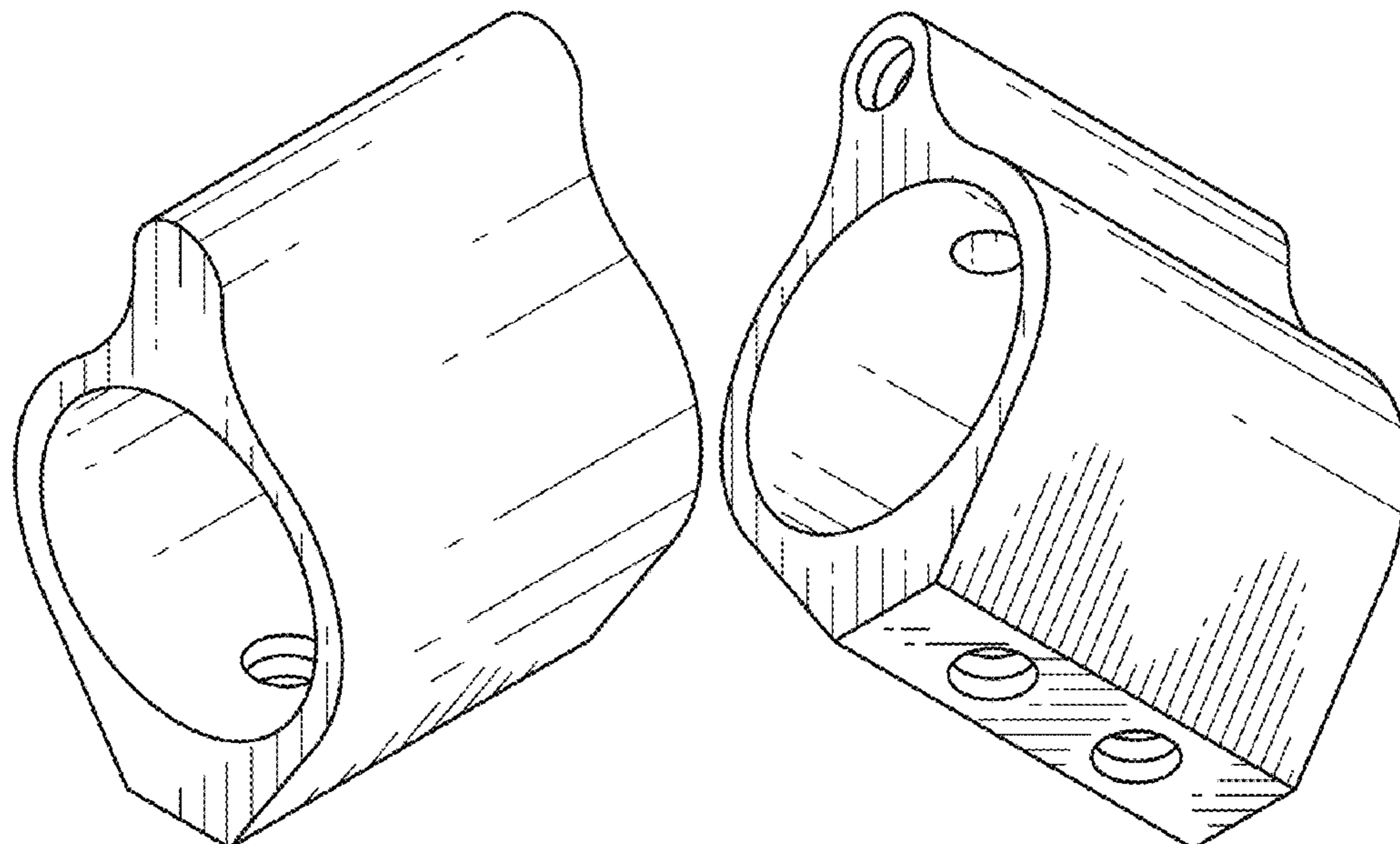
FIG. 8 is a top plan view of the threaded gas block of FIG. 1.

FIG. 9 is a bottom plan view of the threaded gas block of FIG. 1; and,

FIG. 10 is a cross-sectional elevation view of the threaded gas block along lines 10-10 of FIG. 6, the other side being a mirror image.

The broken lines in the figures form no part of the claimed design.

**1 Claim, 3 Drawing Sheets**



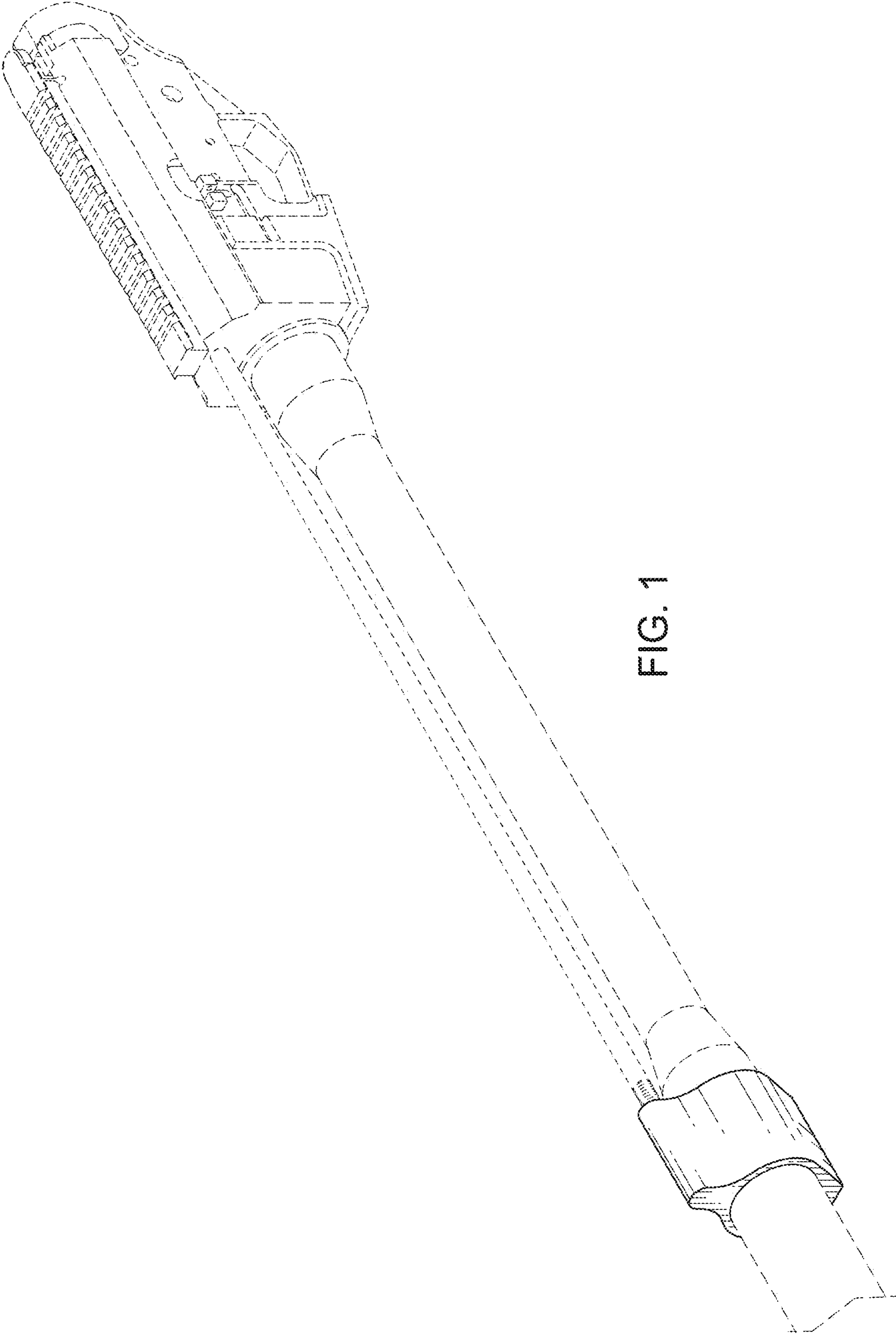


FIG. 1

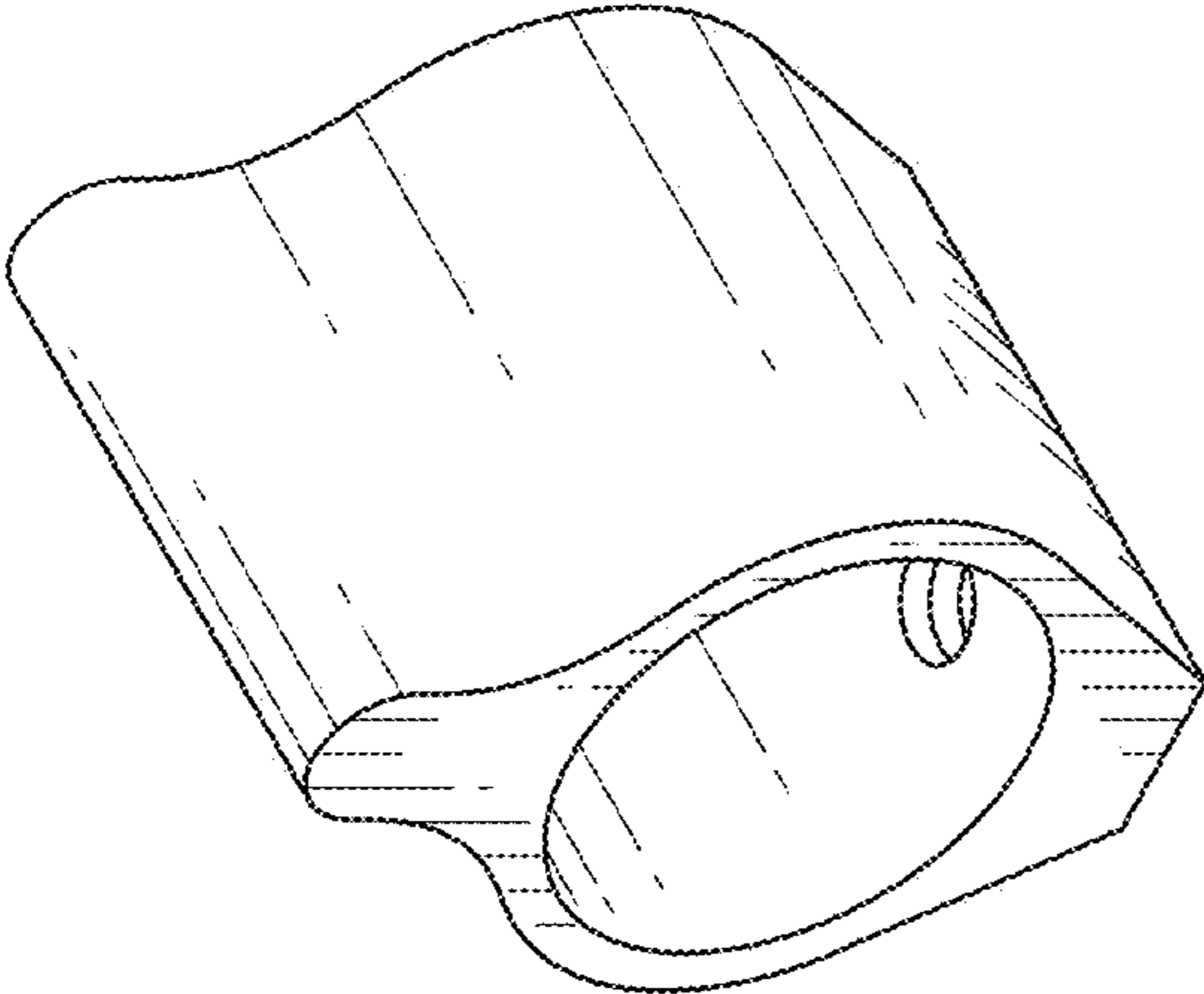


FIG. 3

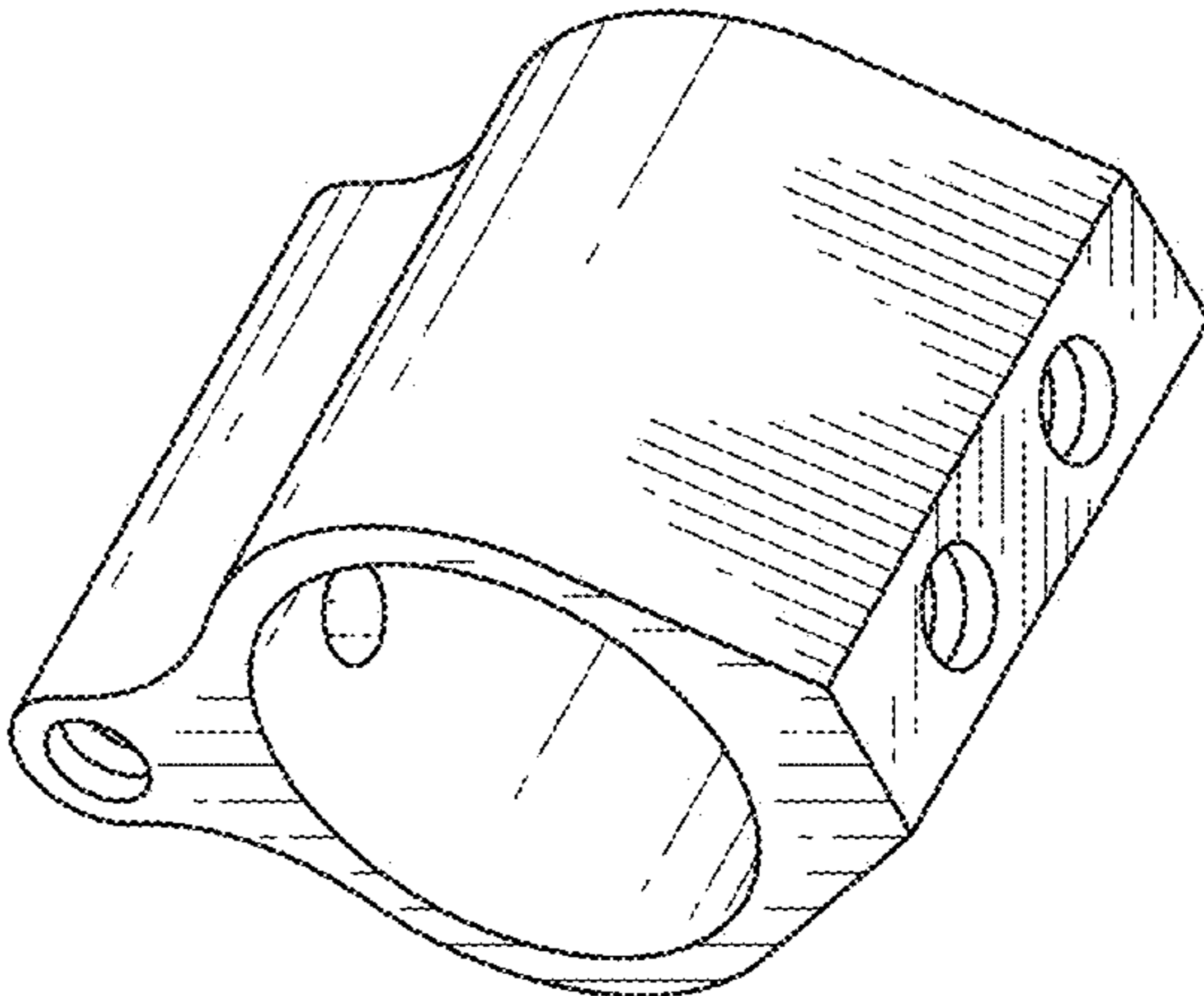


FIG. 4

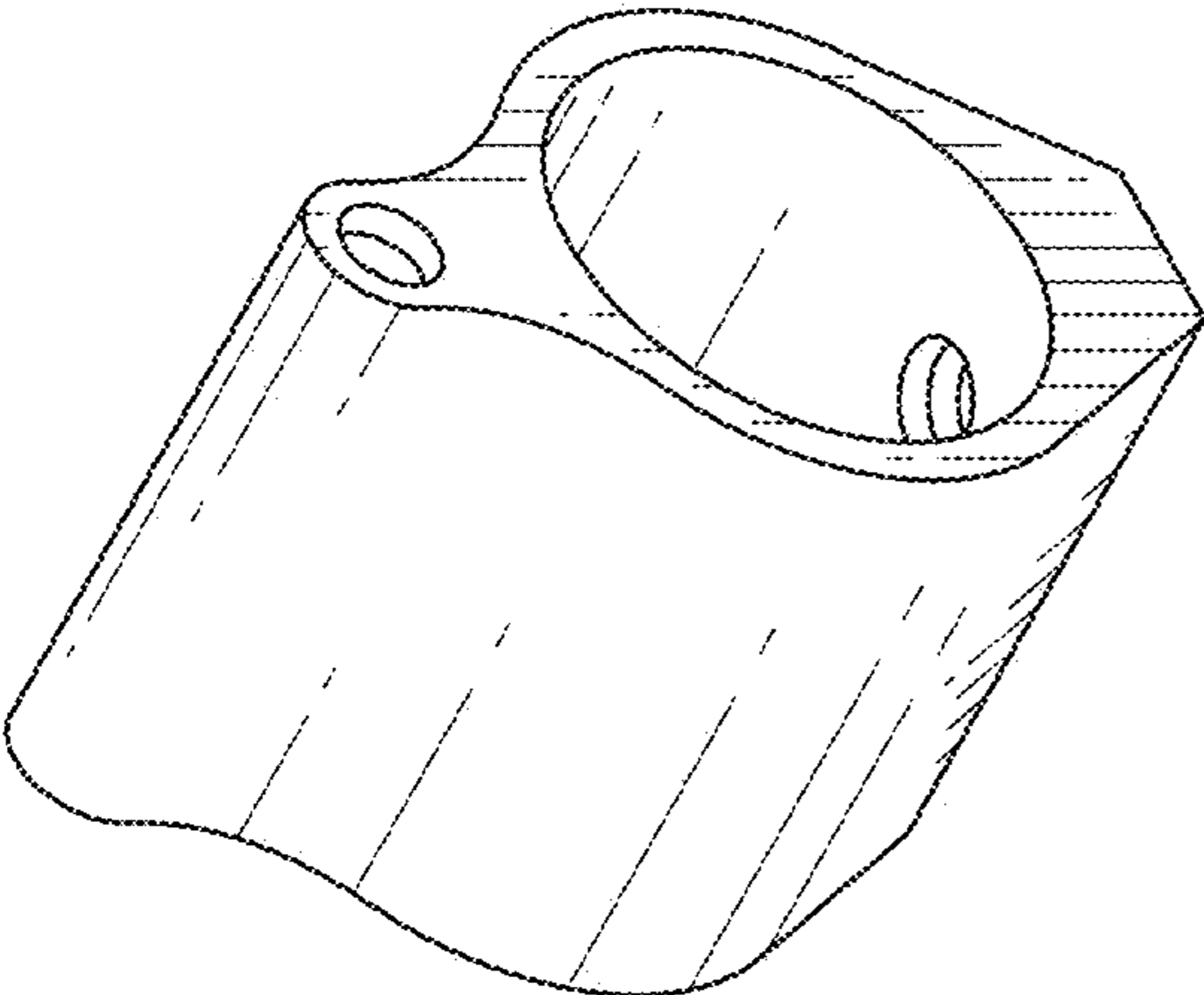


FIG. 2

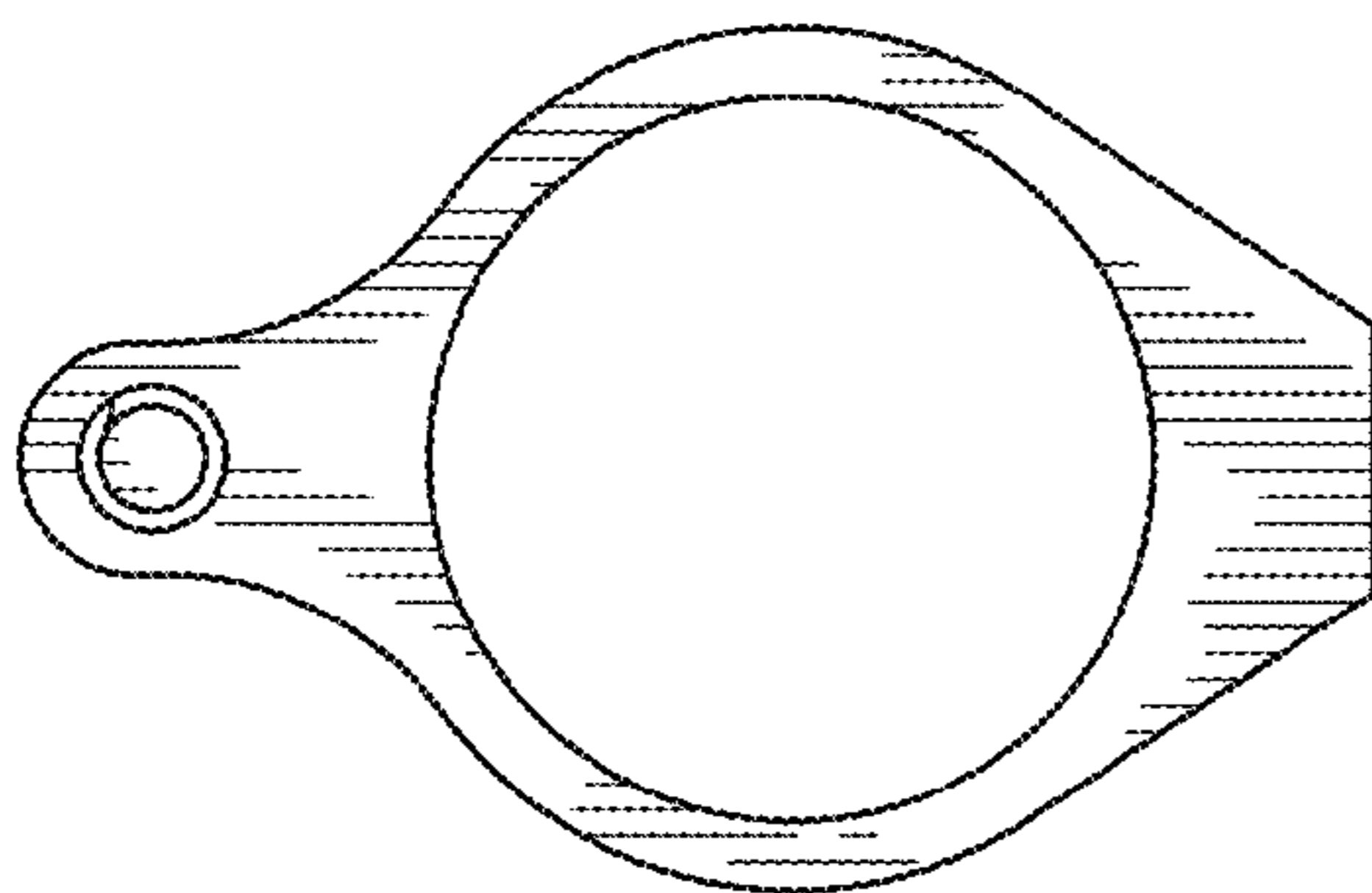


FIG. 5

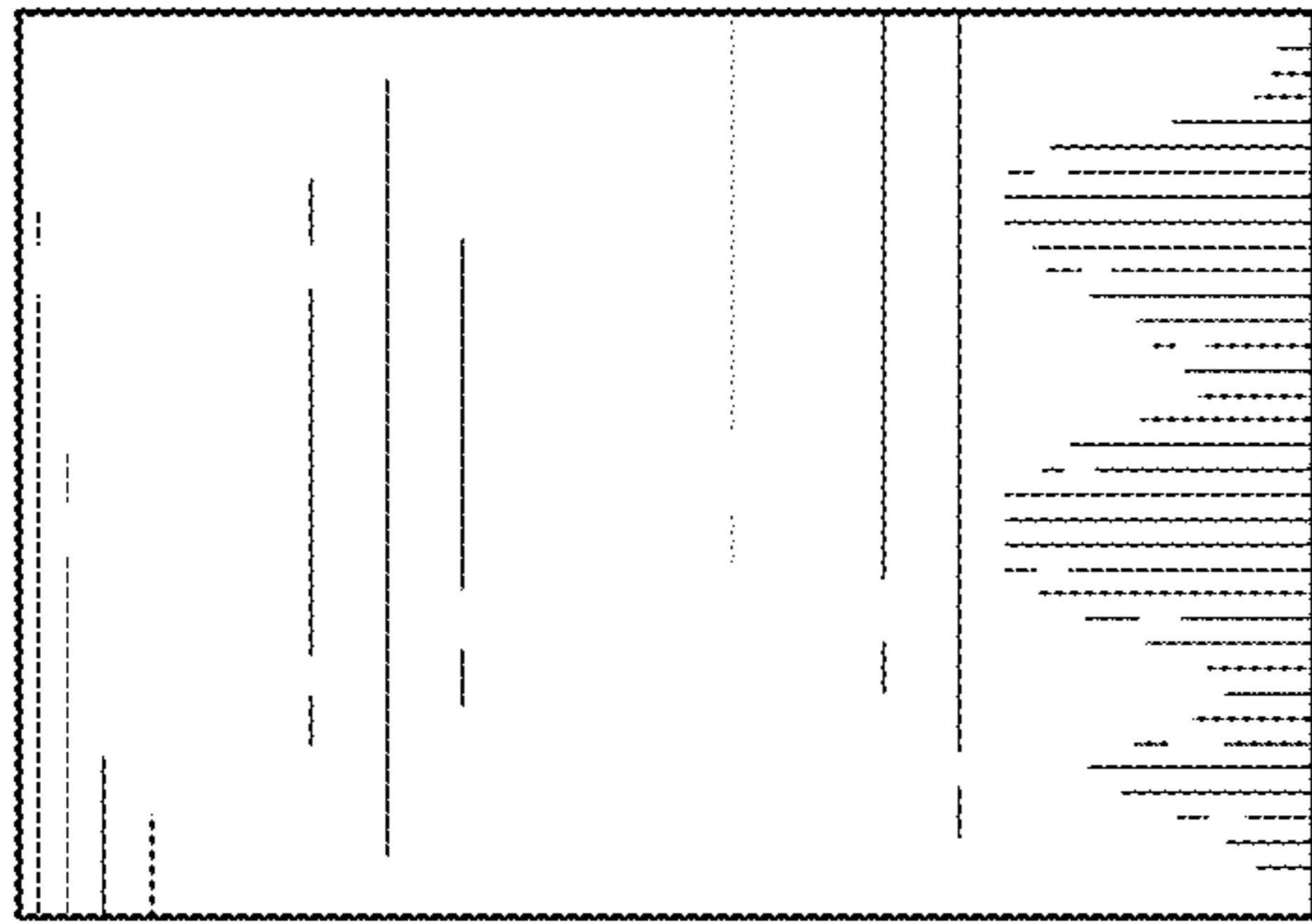


FIG. 7

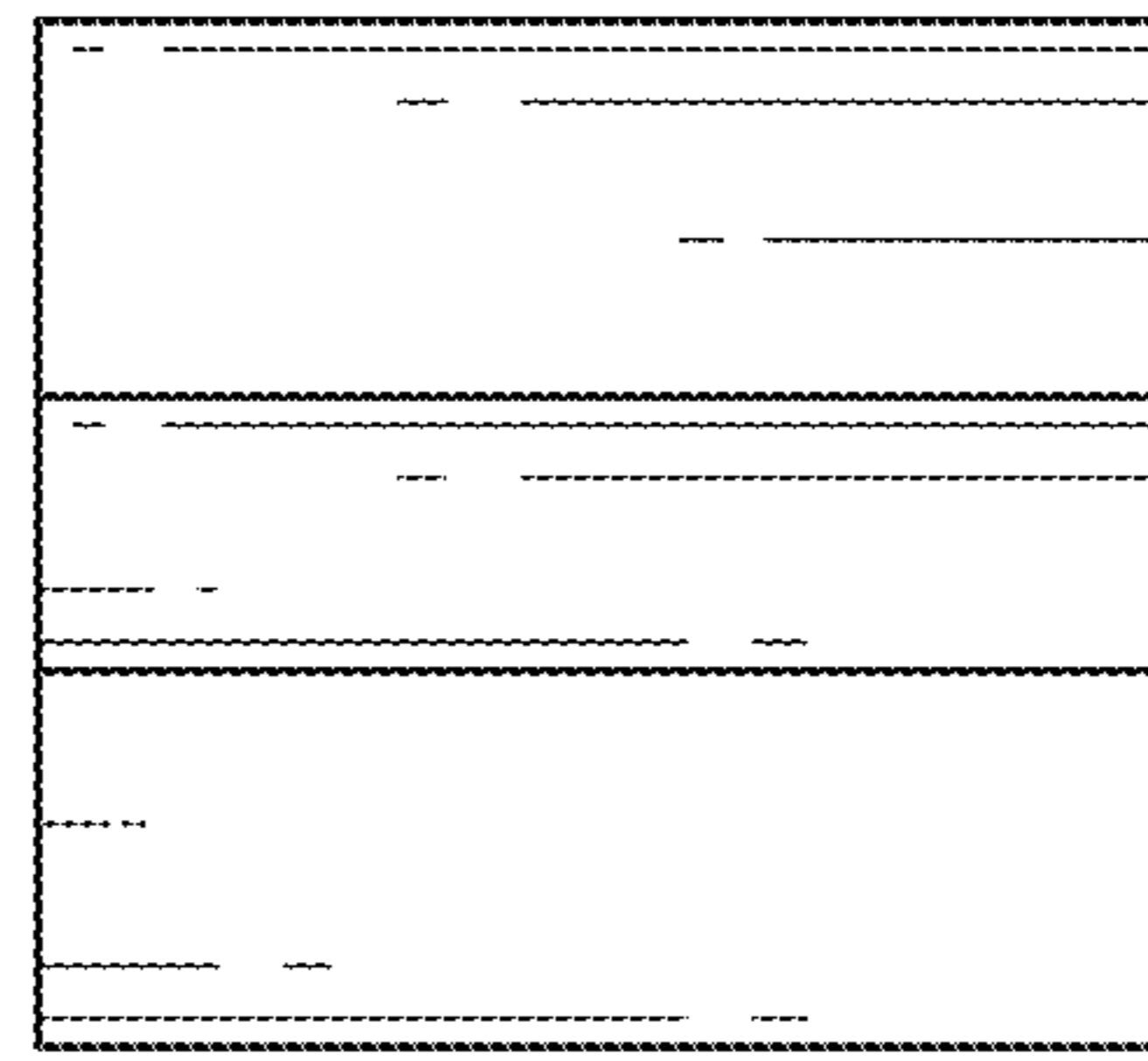


FIG. 8

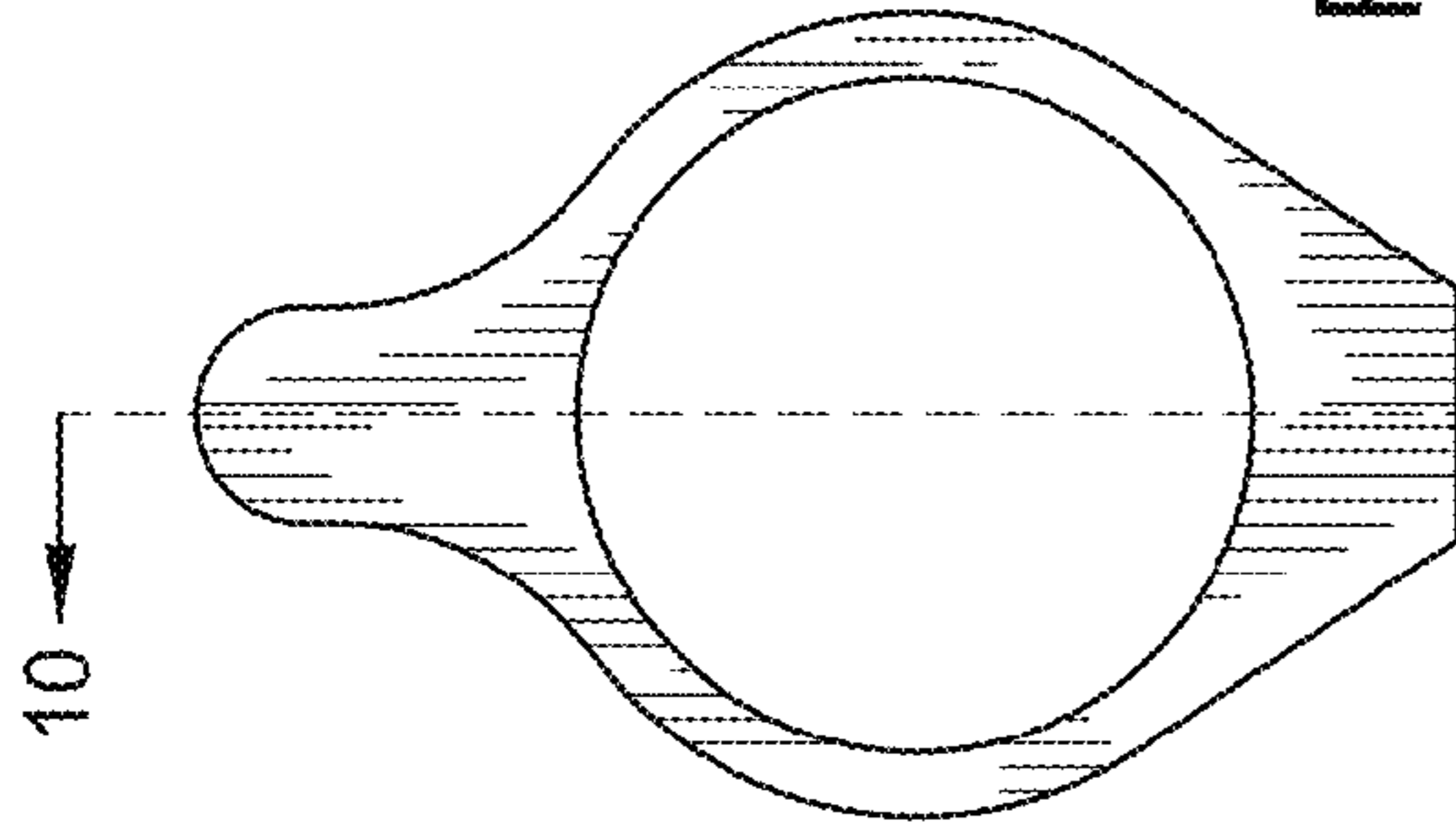


FIG. 6

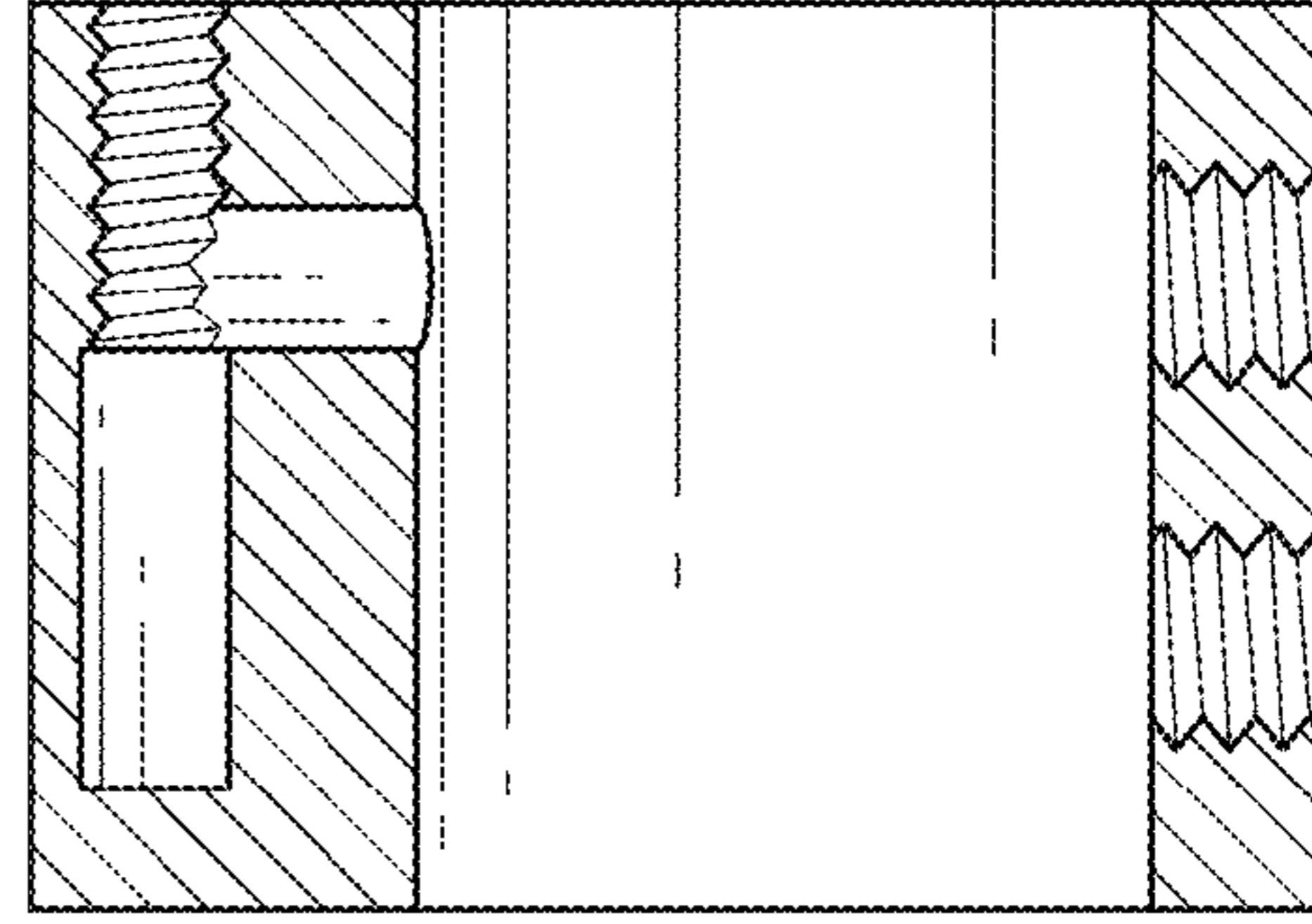


FIG. 10

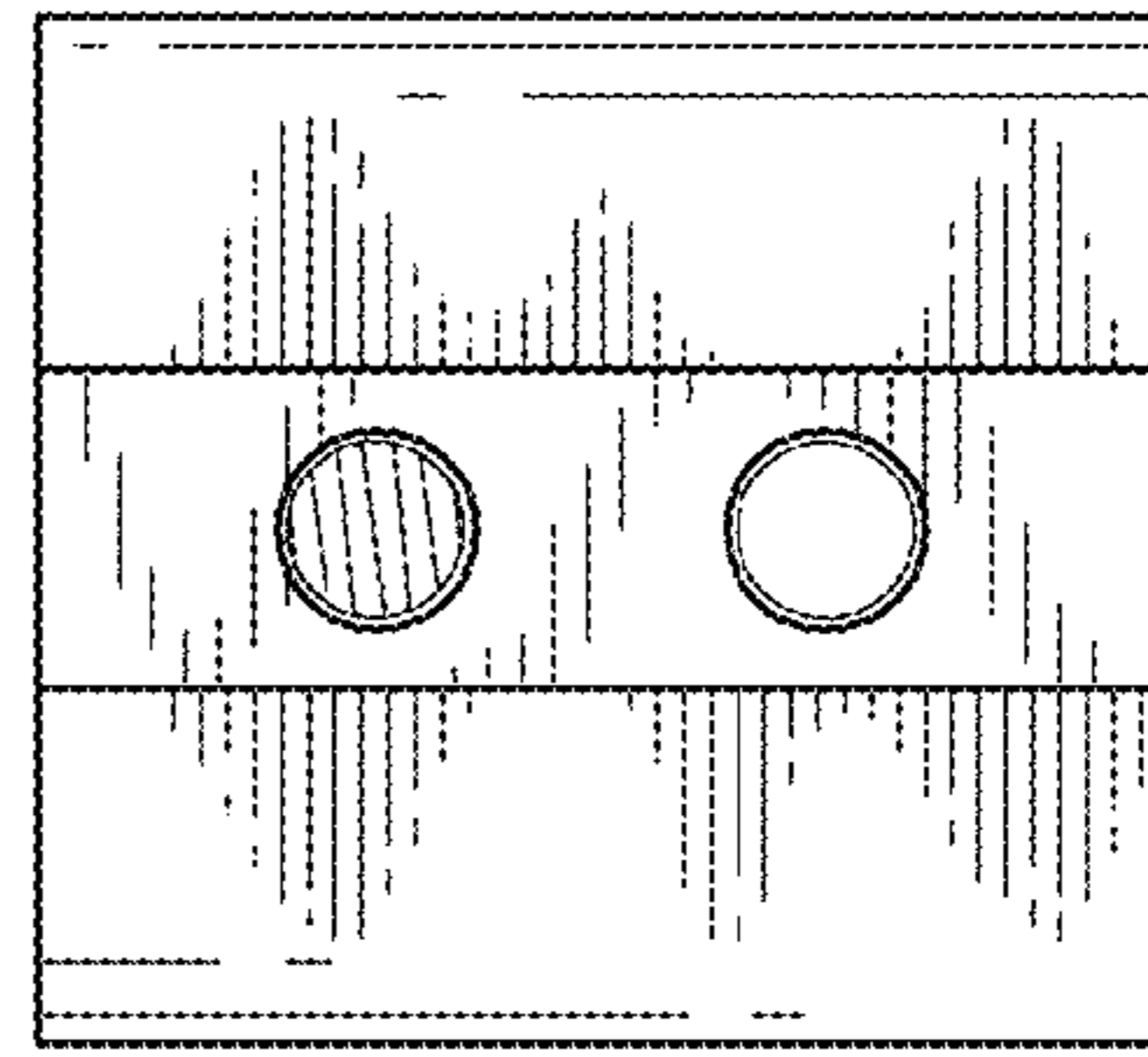


FIG. 9