



US00D885507S

(12) **United States Design Patent** (10) **Patent No.:** **US D885,507 S**
Lian (45) **Date of Patent:** **** May 26, 2020**

(54) **WHEEL INNER CORE**

(71) Applicant: **Su Lian**, Guangdong (CN)

(72) Inventor: **Su Lian**, Guangdong (CN)

(**) Term: **15 Years**

(21) Appl. No.: **29/665,809**

(22) Filed: **Oct. 7, 2018**

(51) **LOC (12) Cl.** **21-02**

(52) **U.S. Cl.**
USPC **D21/779**

(58) **Field of Classification Search**
USPC D21/419, 421, 423, 426-428, 435, 563,
D21/760, 765, 771, 779
CPC . B62K 3/002; B62K 9/00; B62K 9/02; B62K
13/00; B62K 2202/00
See application file for complete search history.

(56) **References Cited**

U.S. PATENT DOCUMENTS

5,478,140	A *	12/1995	Racosky	A63C 17/223
					301/105.1
D380,804	S *	7/1997	Gulla	D12/207
5,660,447	A *	8/1997	Angelici	A63C 17/223
					152/323
D397,390	S *	8/1998	Portzline	D12/207
D401,298	S *	11/1998	Portzline	D21/779
5,967,618	A *	10/1999	Wimmer	A63C 17/223
					152/323
D434,463	S *	11/2000	Lin	D21/779
D721,149	S *	1/2015	Piper	D21/779
D733,241	S *	6/2015	Fissell	D21/765

D738,450	S *	9/2015	Fissell	D21/779
D750,187	S *	2/2016	Fissell	D21/779
2005/0082774	A1 *	4/2005	Chiu	A63C 17/223
					280/11.203
2005/0093254	A1 *	5/2005	Chiu	A63C 17/06
					280/11.203
2017/0326433	A1 *	11/2017	Long	A63C 17/01

* cited by examiner

Primary Examiner — Cynthia M. Chin

(74) *Attorney, Agent, or Firm* — Tommy S F Wang;
Wang IP Law Group, P.C.

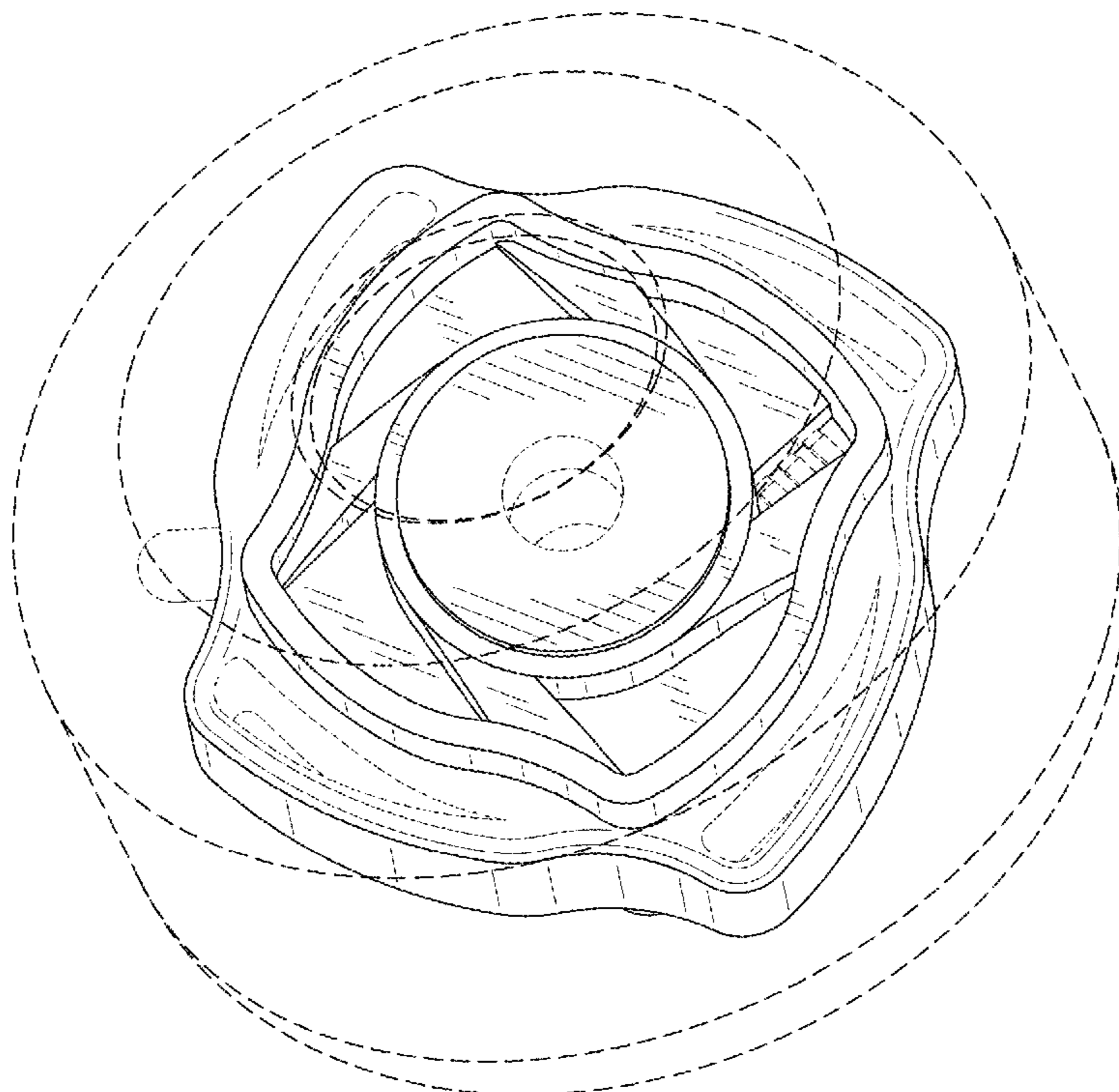
(57) **CLAIM**

The ornamental design for a wheel inner core, as shown and described.

DESCRIPTION

FIG. 1 is a perspective view of a wheel inner core showing my new design;
FIG. 2 is a front view thereof;
FIG. 3 is a rear view thereof;
FIG. 4 is a left side view thereof;
FIG. 5 is a right side view thereof;
FIG. 6 is a top view thereof;
FIG. 7 is a bottom view thereof; and,
FIG. 8 is another perspective view thereof with the wheel inner core being coupled to a wheel.
The broken line portions of the wheel inner core in FIGS. 1-8 represent unclaimed portions of the claimed design and form no part thereof. The broken lines of the wheel in FIG. 8 illustrate unclaimed environment and forms no part of the claimed design.

1 Claim, 7 Drawing Sheets



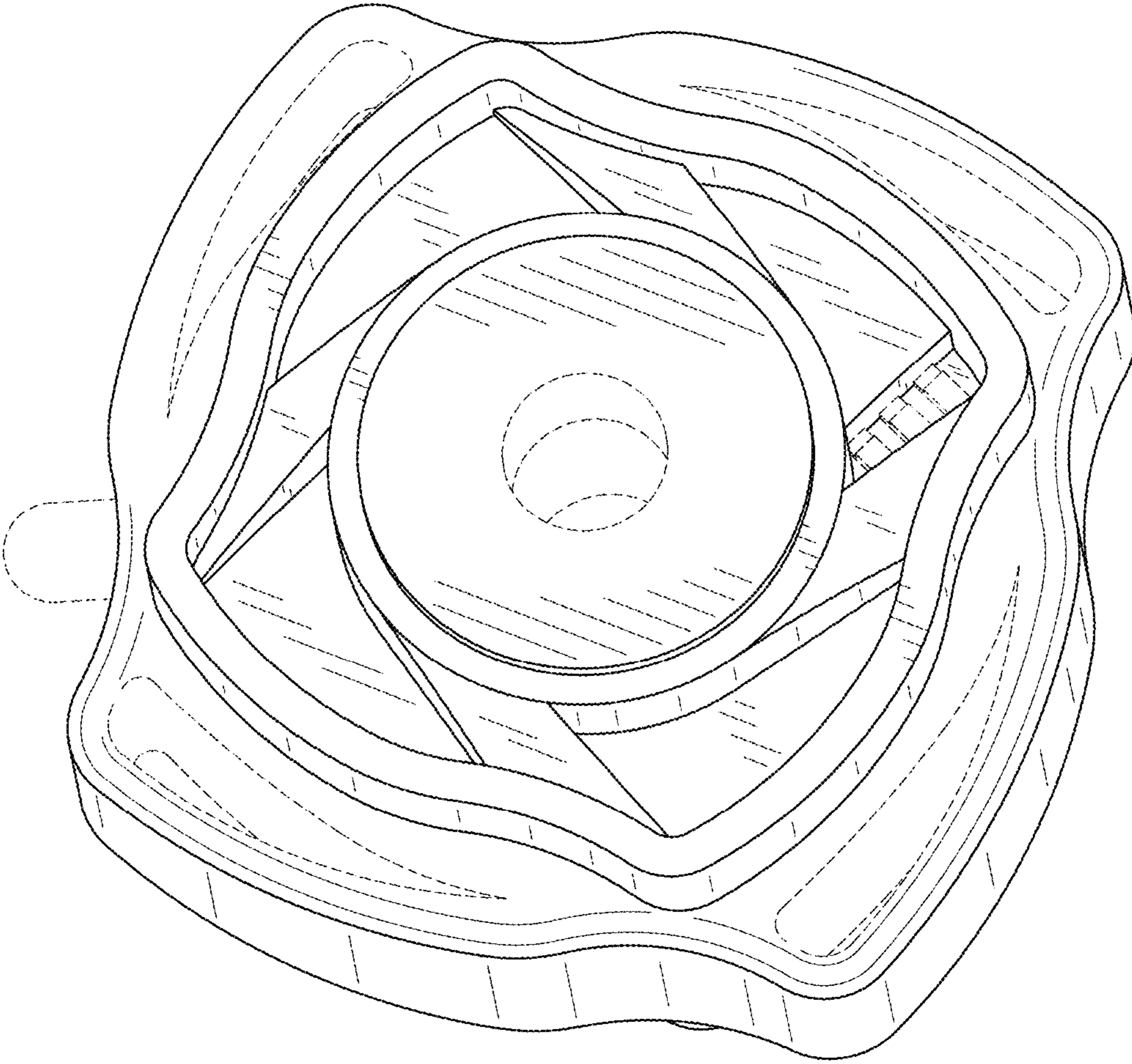


FIG. 1

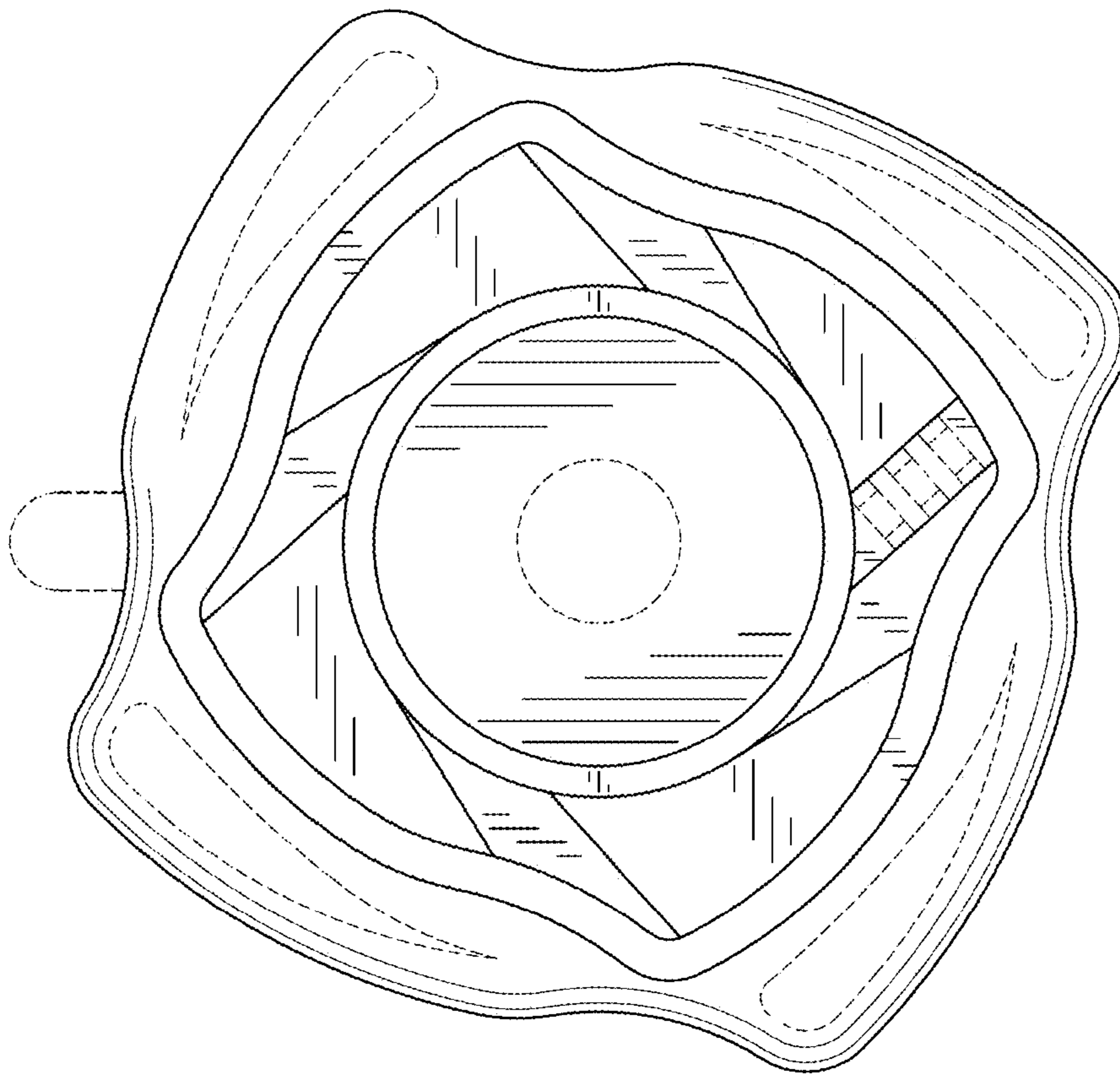


FIG. 2

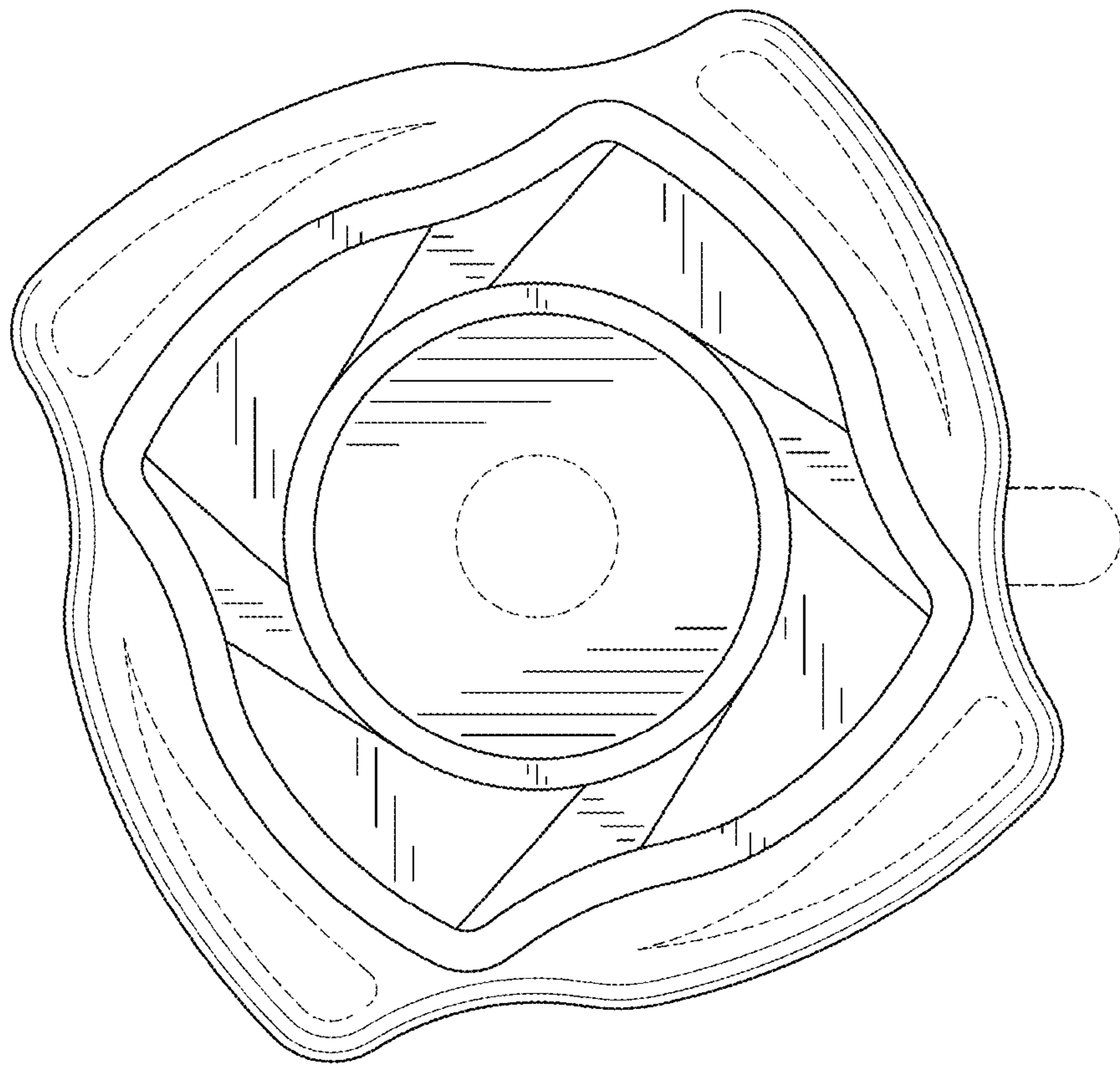


FIG. 3

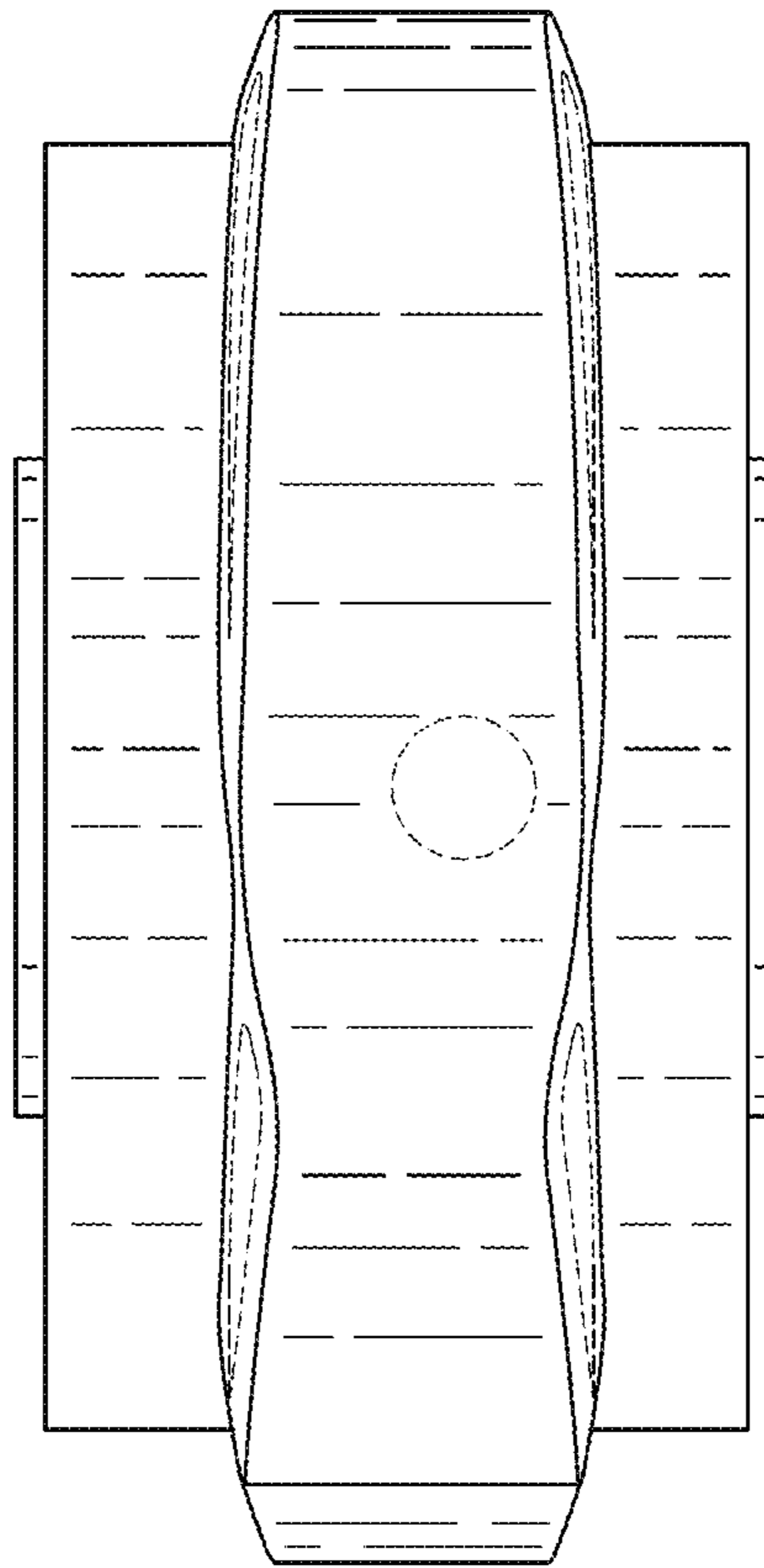


FIG. 4

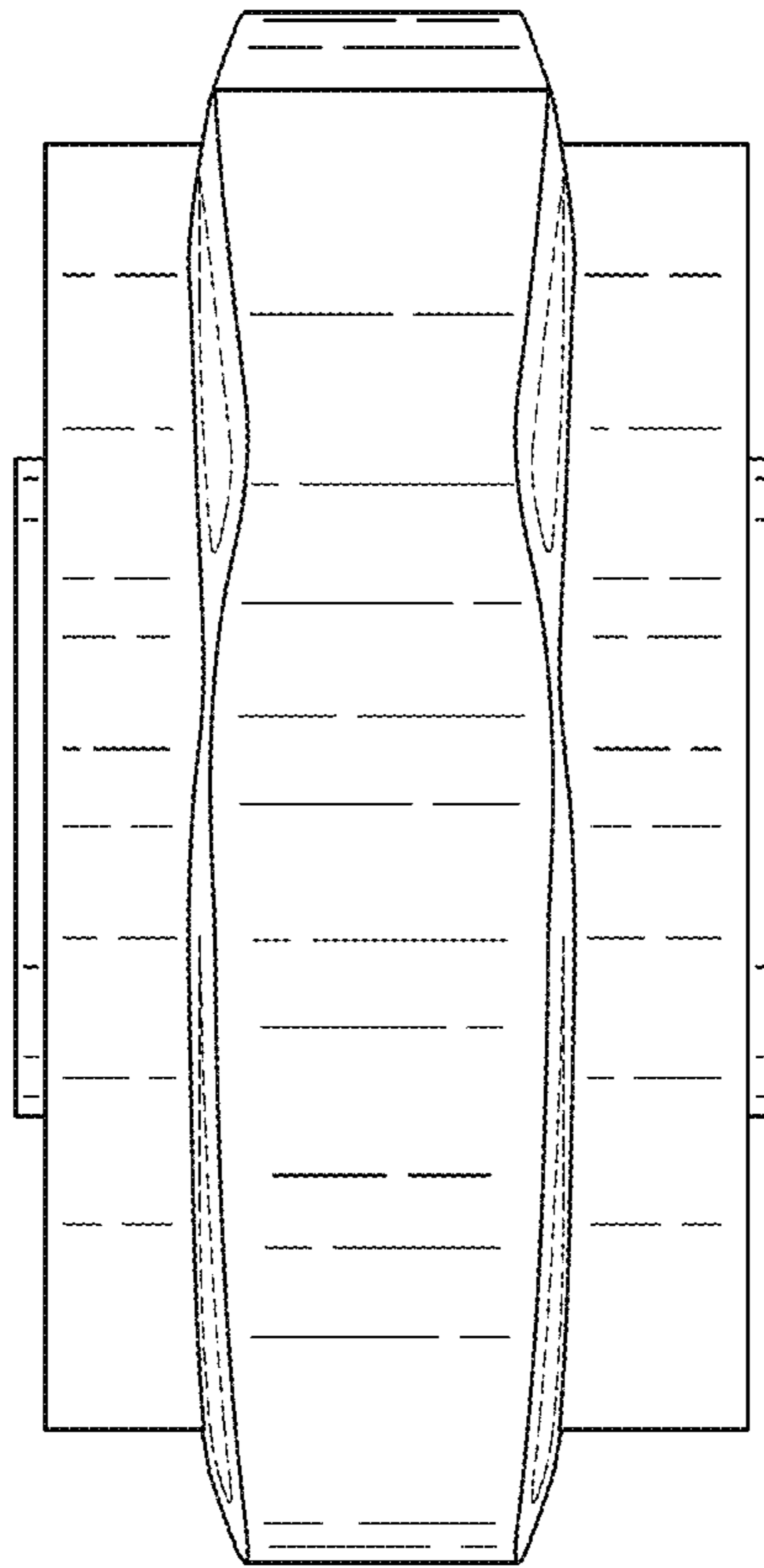


FIG. 5

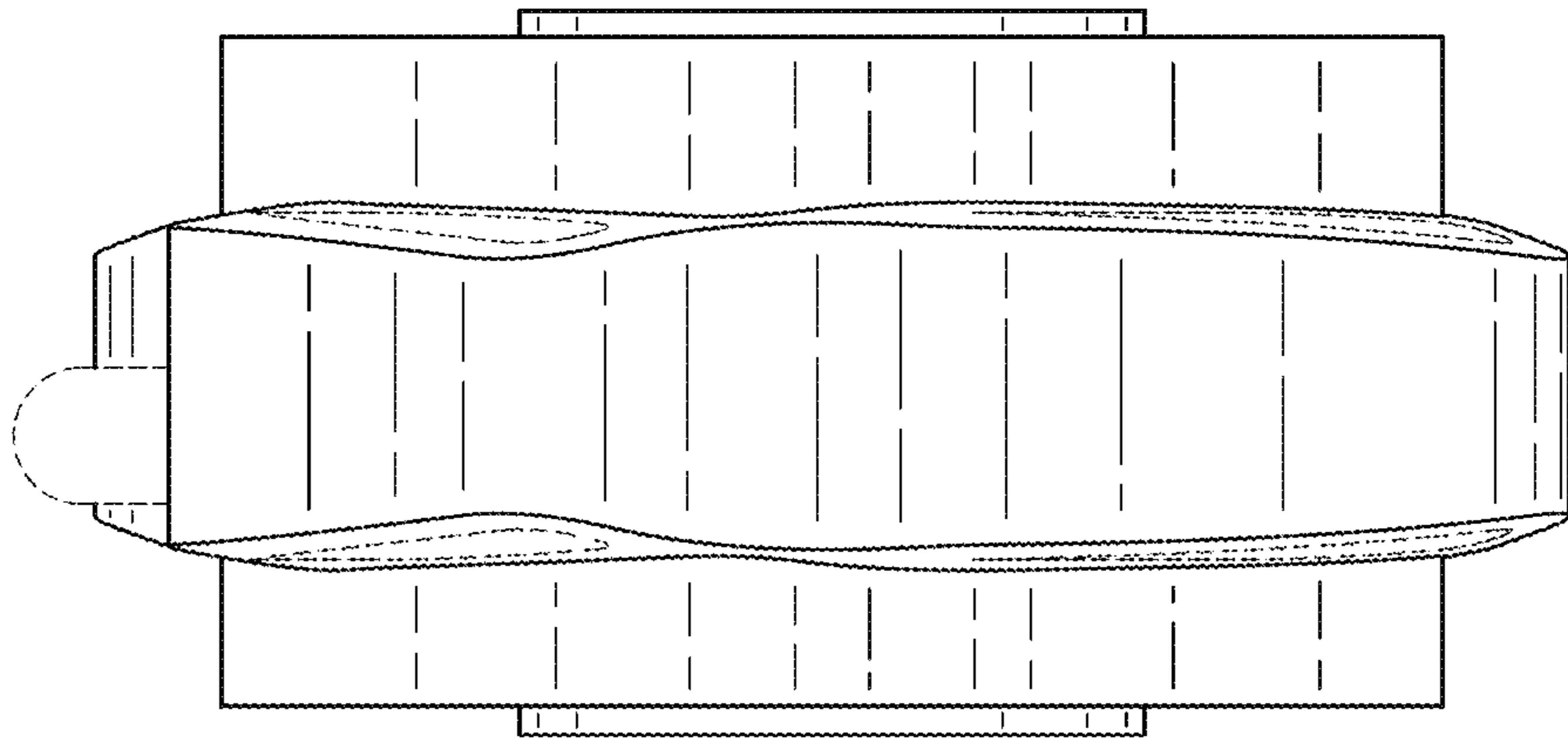


FIG. 6

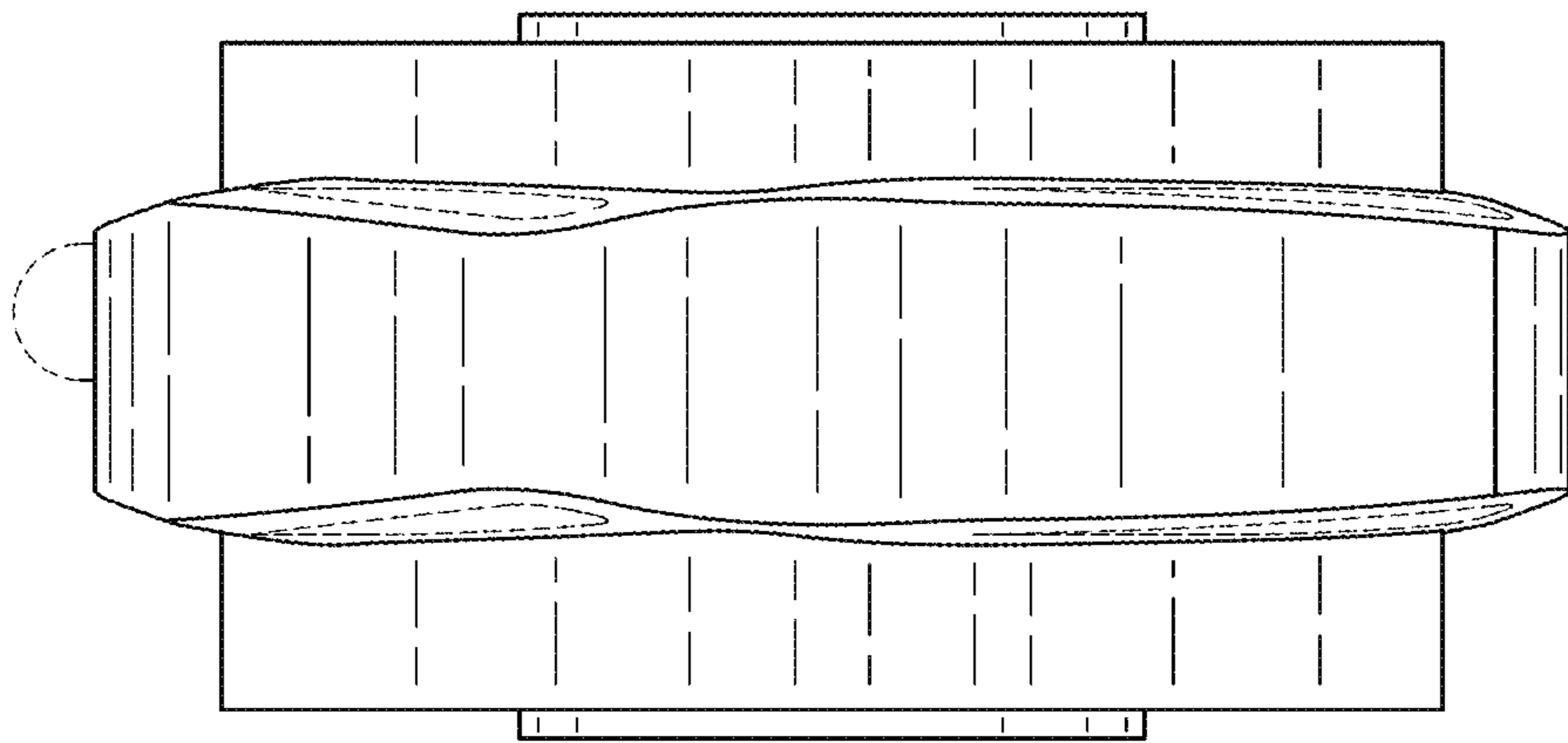


FIG. 7

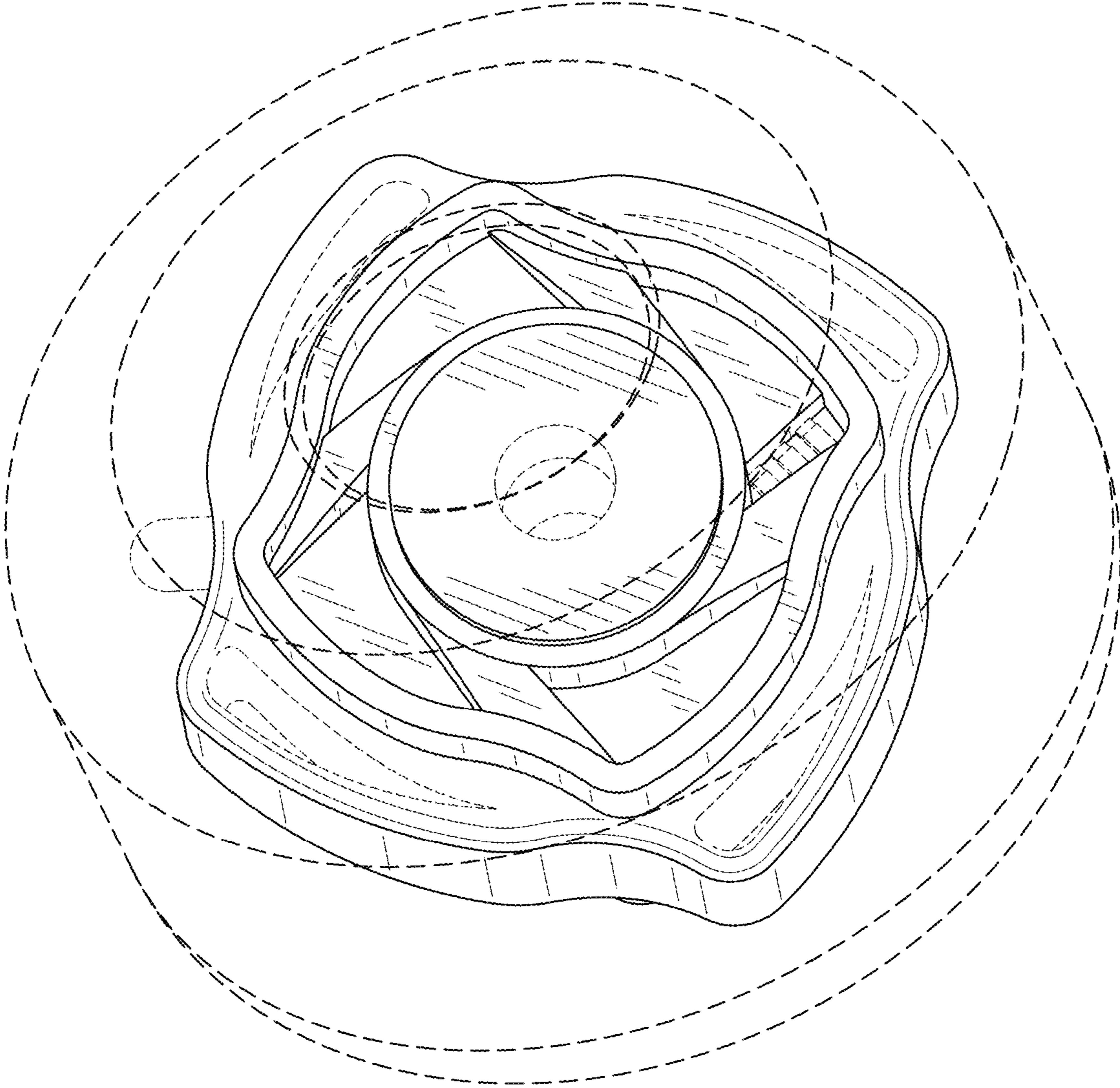


FIG. 8