



US00D885497S

(12) **United States Design Patent**
Miller

(10) **Patent No.:** **US D885,497 S**

(45) **Date of Patent:** **** May 26, 2020**

(54) **REMOTE CONTROLLER**

(71) Applicant: **Mattel, Inc.**, El Segundo, CA (US)

(72) Inventor: **Adam Miller**, Los Angeles, CA (US)

(73) Assignee: **Mattel, Inc.**, El Segundo, CA (US)

(**) Term: **15 Years**

(21) Appl. No.: **29/651,568**

(22) Filed: **Sep. 21, 2018**

(51) **LOC (12) Cl.** **21-01**

(52) **U.S. Cl.**
USPC **D21/566; D21/333**

(58) **Field of Classification Search**

USPC D14/174, 218, 387-389, 400-418,
D14/426-431, 443, 449-450, 454, 471,
D14/511; D21/333, 363, 368, 566
CPC A63F 13/42; A63F 13/98; A63F 13/24;
G06F 3/0338
See application file for complete search history.

(56) **References Cited**

U.S. PATENT DOCUMENTS

D307,921 S	5/1990	Barr
D322,103 S	12/1991	Kohno
D322,297 S	12/1991	Kohno
D335,909 S	5/1993	Swanson et al.
D338,242 S	8/1993	Cordell
D341,164 S	11/1993	Chan
D342,100 S	12/1993	Chan
D342,550 S	12/1993	Lin
D342,973 S	1/1994	Ho
D343,649 S	1/1994	Ho
D345,164 S	3/1994	Grae
D347,864 S	6/1994	Duong
D348,083 S	6/1994	Smith, III et al.
D349,527 S	8/1994	Date
D350,782 S	9/1994	Barr

D351,430 S	10/1994	Barr
D352,970 S	11/1994	Ho
D353,162 S	12/1994	Chan
D353,410 S	12/1994	Chan
D354,316 S	1/1995	Hiraoka
D355,450 S	2/1995	Ho
D356,606 S	3/1995	Feng
D356,607 S	3/1995	Feng
D357,286 S	4/1995	Feng
D359,992 S	7/1995	Chan
D360,436 S	7/1995	Chan
D360,903 S	8/1995	Barr et al.
D362,030 S	9/1995	Chan
D363,321 S	10/1995	Hsien
D368,285 S	3/1996	Couch et al.
D368,936 S	4/1996	Goto
D372,244 S	7/1996	Yamazaki et al.
D375,326 S	11/1996	Yokoi et al.
D376,826 S	12/1996	Ashida

(Continued)

Primary Examiner — John Windmuller

(74) *Attorney, Agent, or Firm* — Edell, Shapiro & Finnan, LLC

(57) **CLAIM**

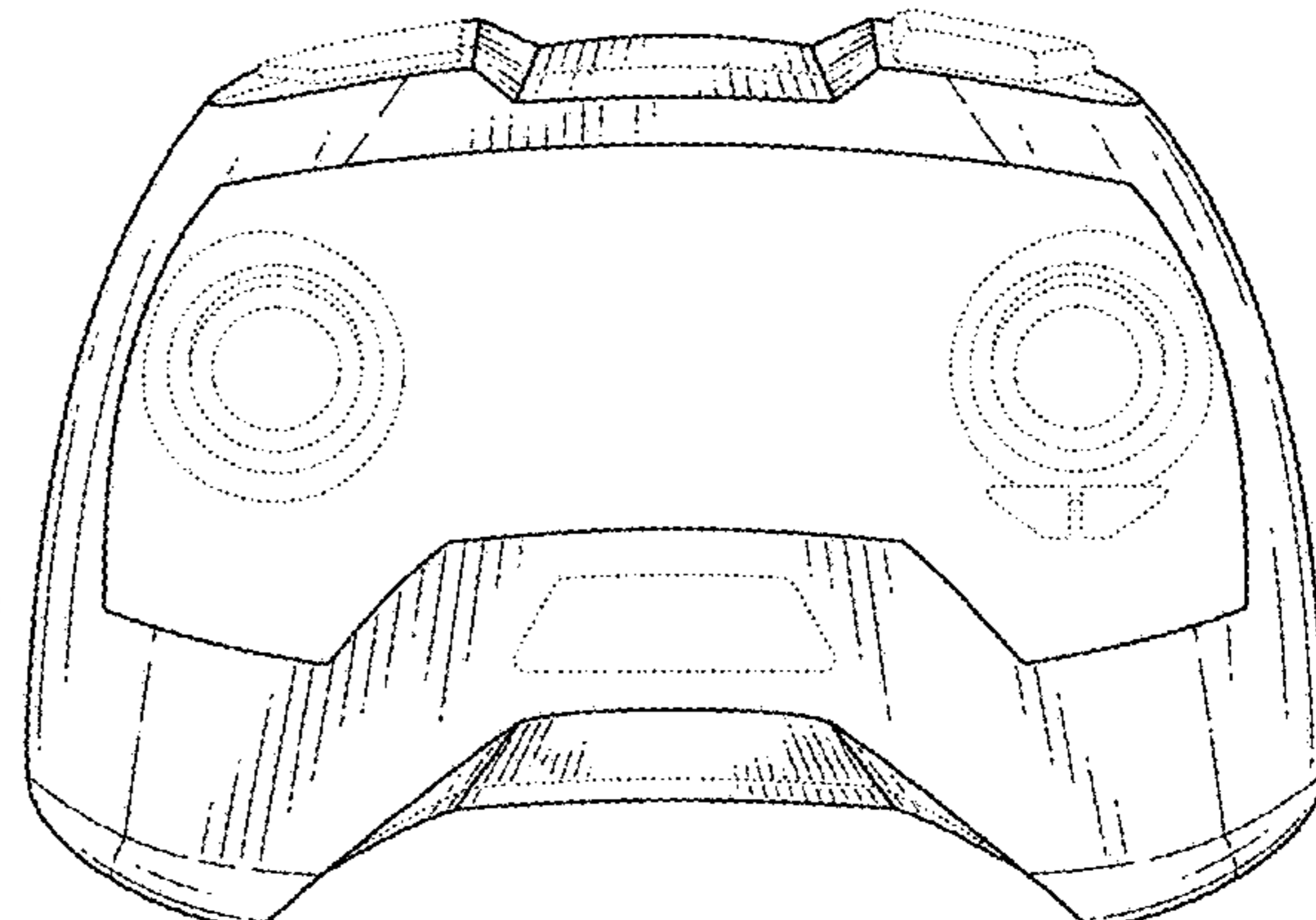
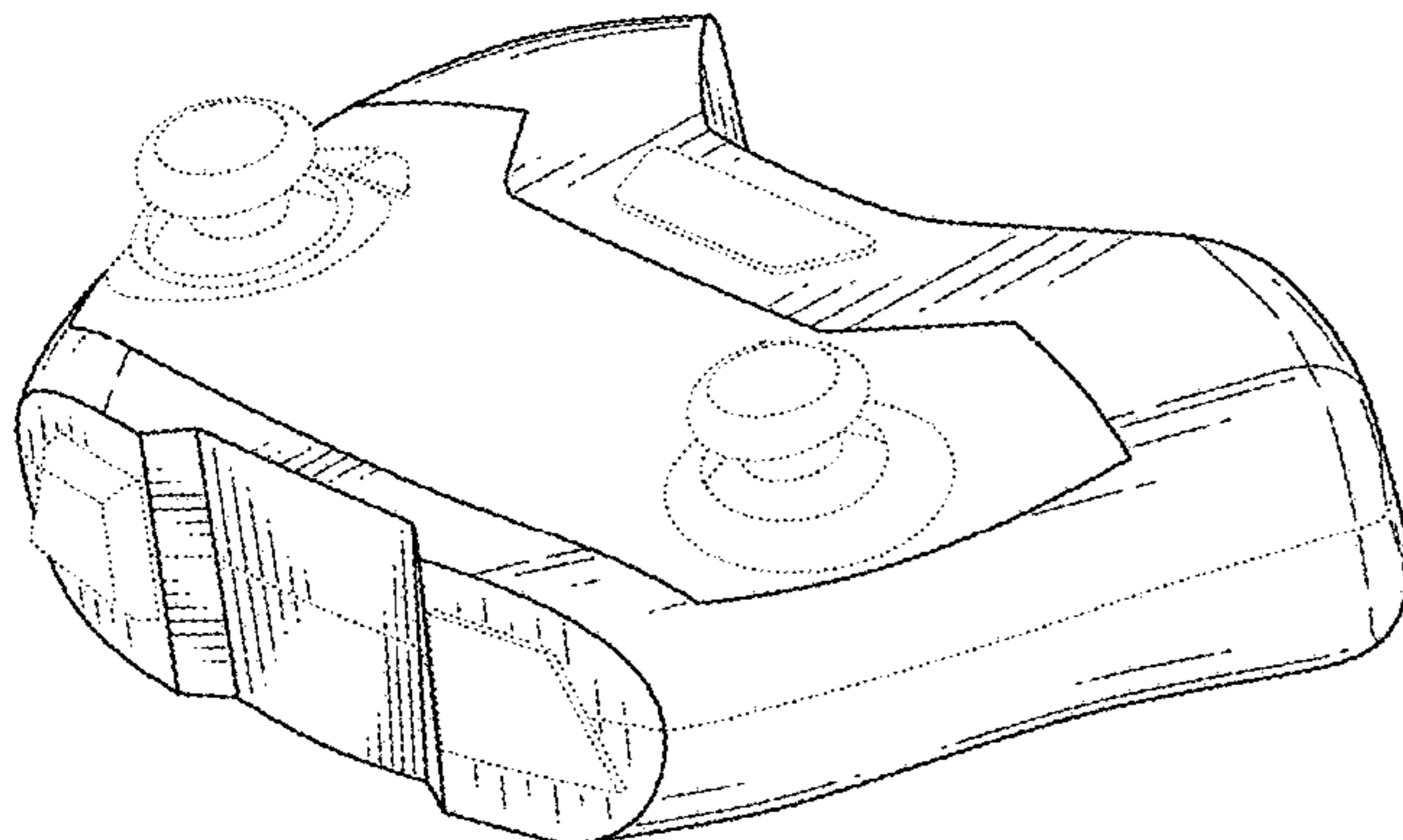
The ornamental design for a remote controller, as shown and described.

DESCRIPTION

FIG. 1 is a perspective view of a remote controller showing the new design;
FIG. 2 is a front view thereof;
FIG. 3 is a rear view thereof;
FIG. 4 is a left side view thereof;
FIG. 5 is a right side view thereof;
FIG. 6 is a top view thereof; and,
FIG. 7 is a bottom view thereof.

The broken lines and the unshaded portion shown in the figures are included to illustrate unclaimed portions of the article and form no part of the claimed design.

1 Claim, 5 Drawing Sheets



(56)

References Cited

U.S. PATENT DOCUMENTS

D377,057 S	12/1996	Lee	D522,011 S	5/2006	Hayes et al.
D377,198 S	1/1997	Oikawa et al.	D522,012 S	5/2006	Hayes et al.
D380,238 S	6/1997	Tyler	D547,763 S	7/2007	Hayes et al.
D380,783 S	7/1997	Tyler	D556,201 S	11/2007	Ashida et al.
D382,603 S	8/1997	Goto	D556,760 S	12/2007	Ashida et al.
D382,916 S	8/1997	Oikawa	D559,254 S	1/2008	Ashida et al.
D384,112 S	9/1997	Riley et al.	D561,190 S	2/2008	Goto
D387,392 S	12/1997	Lien	D562,323 S	2/2008	Kutaragi et al.
D391,998 S	3/1998	Jwo	D563,480 S	3/2008	Blaseflug et al.
D392,342 S	3/1998	Tyler	D565,668 S	4/2008	Baseflug et al.
D393,290 S	4/1998	Goto	D567,243 S	4/2008	Ashida et al.
D393,291 S	4/1998	Kung	D568,882 S	5/2008	Ashida et al.
D393,885 S	4/1998	Goto	D568,883 S	5/2008	Ashida et al.
D393,886 S	4/1998	Goto	D570,349 S	6/2008	Ashida et al.
D394,885 S	6/1998	Chan	D571,367 S	6/2008	Goto et al.
D397,162 S	8/1998	Yokoi et al.	D571,368 S	6/2008	Salter
D397,164 S	8/1998	Goto	D571,806 S	6/2008	Goto
D398,032 S	9/1998	Goto	D572,254 S	7/2008	Goto
D402,317 S	12/1998	Goto	D575,284 S	8/2008	Ashida et al.
D405,120 S	2/1999	Goto	D575,285 S	8/2008	Ashida et al.
D405,835 S	2/1999	Goto	D576,624 S	9/2008	Ashida et al.
D408,017 S	4/1999	Matsuoka	D577,025 S	9/2008	Ashida et al.
D410,914 S	6/1999	Tyler et al.	D581,422 S	11/2008	Hayes et al.
D415,485 S	10/1999	Leifer et al.	D594,066 S	6/2009	Oikawa et al.
D415,752 S	10/1999	Tyler et al.	D594,067 S	6/2009	Oikawa et al.
D416,588 S	11/1999	Goto	D607,515 S	1/2010	Oikawa et al.
D417,211 S	11/1999	Kaneko et al.	D608,784 S	1/2010	Biheller
D417,663 S	12/1999	Peng	D610,144 S	2/2010	Claussen
D417,664 S	12/1999	Goto	D620,939 S	8/2010	Suetake et al.
D420,346 S	2/2000	Hashiguchi et al.	D620,940 S	8/2010	Claussen
D420,660 S	2/2000	Chen	D623,649 S	9/2010	Claussen
D421,433 S	3/2000	Alviar et al.	D626,517 S	11/2010	Yano
D424,047 S	5/2000	Chan	D627,744 S	11/2010	Yano
D425,047 S	5/2000	Tyler et al.	D630,211 S	1/2011	Goto et al.
D430,222 S	8/2000	Goto	D630,212 S	1/2011	Goto et al.
D430,223 S	8/2000	Goto	D631,049 S	1/2011	Goto et al.
D431,051 S	9/2000	Goto	D638,016 S	5/2011	Ikeda
D432,179 S	10/2000	Hayes	D646,275 S	10/2011	Ikeda et al.
D432,180 S	10/2000	Hayes	D656,996 S	4/2012	Mikhailov et al.
D433,076 S	10/2000	Hayes	D658,178 S	4/2012	Ikeda et al.
D434,769 S	12/2000	Goto	D658,179 S	4/2012	Ikeda et al.
D434,770 S	12/2000	Goto	D659,140 S	5/2012	Ikeda et al.
D435,551 S	12/2000	Hayes	D685,434 S *	7/2013	Ali D14/401
D435,552 S	12/2000	Dougan et al.	D694,830 S	12/2013	Crowley et al.
D438,178 S	2/2001	Hames	8,641,525 B2 *	2/2014	Burgess A63F 9/24 463/37
D439,580 S	3/2001	Goto	D707,758 S	6/2014	Norman et al.
D440,567 S	4/2001	Wahlgren et al.	D708,615 S	7/2014	Delrue et al.
D441,369 S	5/2001	Goto	D709,498 S	7/2014	Morris et al.
D443,617 S	6/2001	Goto	D709,499 S	7/2014	Morris et al.
D443,618 S	6/2001	Goto	D709,882 S	7/2014	Morris et al.
D443,877 S	6/2001	Goto	D711,474 S	8/2014	Wikel
D444,469 S	7/2001	Goto	D712,408 S	9/2014	Sumii et al.
D444,470 S	7/2001	Goto	D712,409 S	9/2014	Bellinghausen et al.
D447,480 S	9/2001	Sheehan et al.	D712,971 S	9/2014	Huang
D456,410 S	4/2002	Ashida	D715,865 S	10/2014	Morris et al.
D456,854 S	5/2002	Ashida	D721,140 S	1/2015	Seflic et al.
D456,932 S	5/2002	Crosby	D744,596 S	12/2015	Young et al.
D459,727 S	7/2002	Ashida	D745,607 S	12/2015	Jones
D462,683 S	9/2002	Ashida	D765,789 S	9/2016	Buller
D463,404 S	9/2002	Sadatsuki	D768,786 S	10/2016	Seflic et al.
D464,349 S	10/2002	Loughnane et al.	D780,180 S	2/2017	Ironmonger et al.
D465,221 S	11/2002	Hussaini et al.	D780,759 S	3/2017	Ironmonger et al.
D467,922 S	12/2002	Lee	D780,760 S	3/2017	Ironmonger et al.
D467,923 S	12/2002	Lim	D794,027 S	8/2017	Ironmonger et al.
D469,436 S	1/2003	Hussaini et al.	D794,129 S	8/2017	Kujawski et al.
D469,437 S	1/2003	Hussaini et al.	D794,717 S	8/2017	Kujawski et al.
D469,766 S	2/2003	Hussaini et al.	D795,350 S	8/2017	Chatterjee et al.
D469,767 S	2/2003	Hussaini et al.	D795,351 S	8/2017	Chatterjee et al.
D470,846 S	2/2003	Archambault et al.	D797,197 S	9/2017	Buller
D471,552 S	3/2003	Loughnane et al.	D798,954 S	10/2017	Chatterjee et al.
D478,589 S	8/2003	Hussaini et al.	D799,599 S	10/2017	Kujawski et al.
D478,590 S	8/2003	Hussaini et al.	D806,078 S	12/2017	Goldman et al.
D491,183 S	6/2004	Swan et al.	D808,968 S	1/2018	Tang
D521,015 S	5/2006	Hayes et al.	D853,384 S *	7/2019	Fulghum D14/401
D521,567 S	5/2006	Svensen et al.	D854,619 S *	7/2019	Konishi D21/333
			D865,766 S *	11/2019	Hu D14/401
			D870,816 S *	12/2019	Morris D21/333

(56)

References Cited

U.S. PATENT DOCUMENTS

D872,185 S * 1/2020 Chatterjee D21/333
2015/0238855 A1* 8/2015 Uy G06F 3/0338
463/37
2018/0154252 A1* 6/2018 Mistry A63F 13/98

* cited by examiner

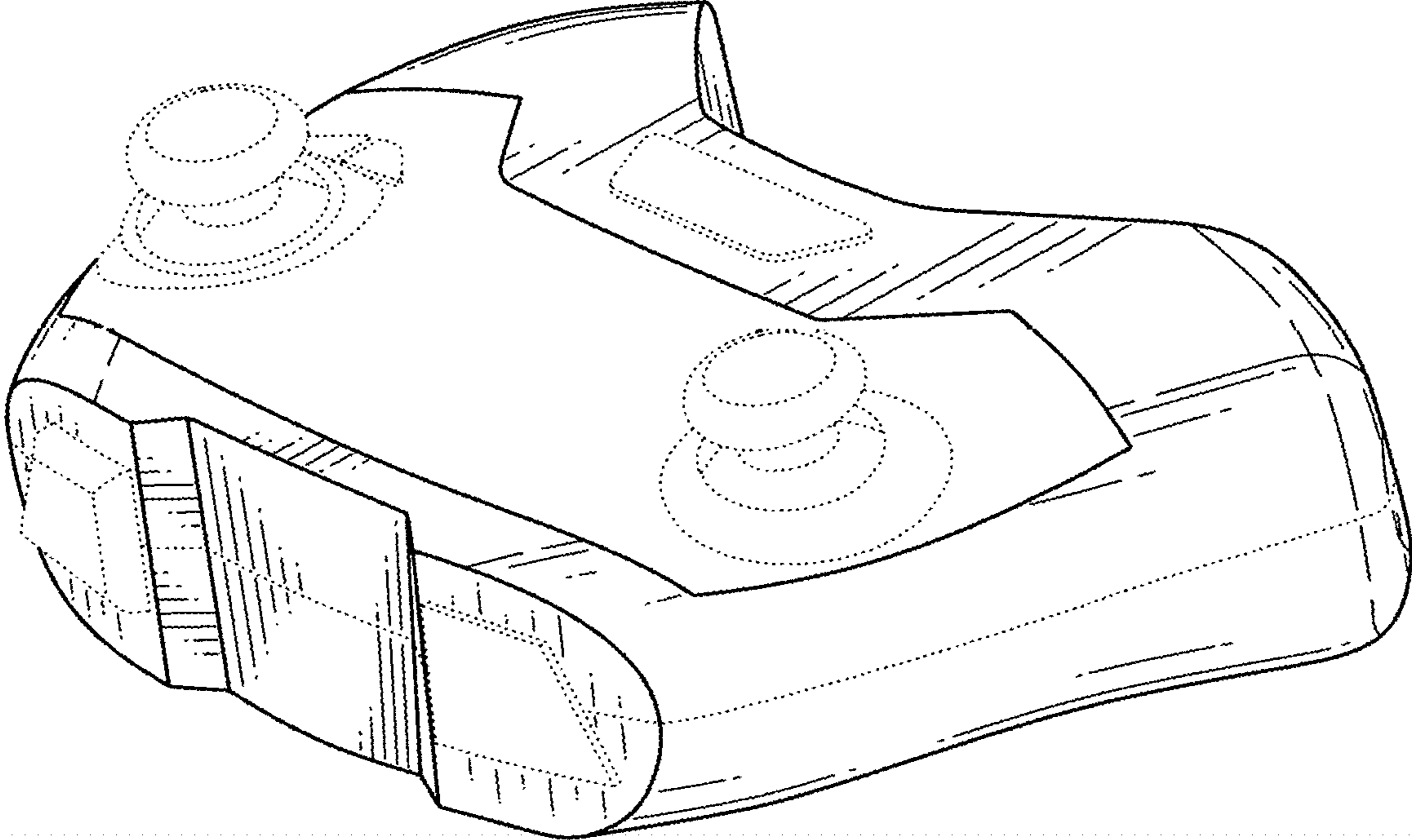


FIG. 1

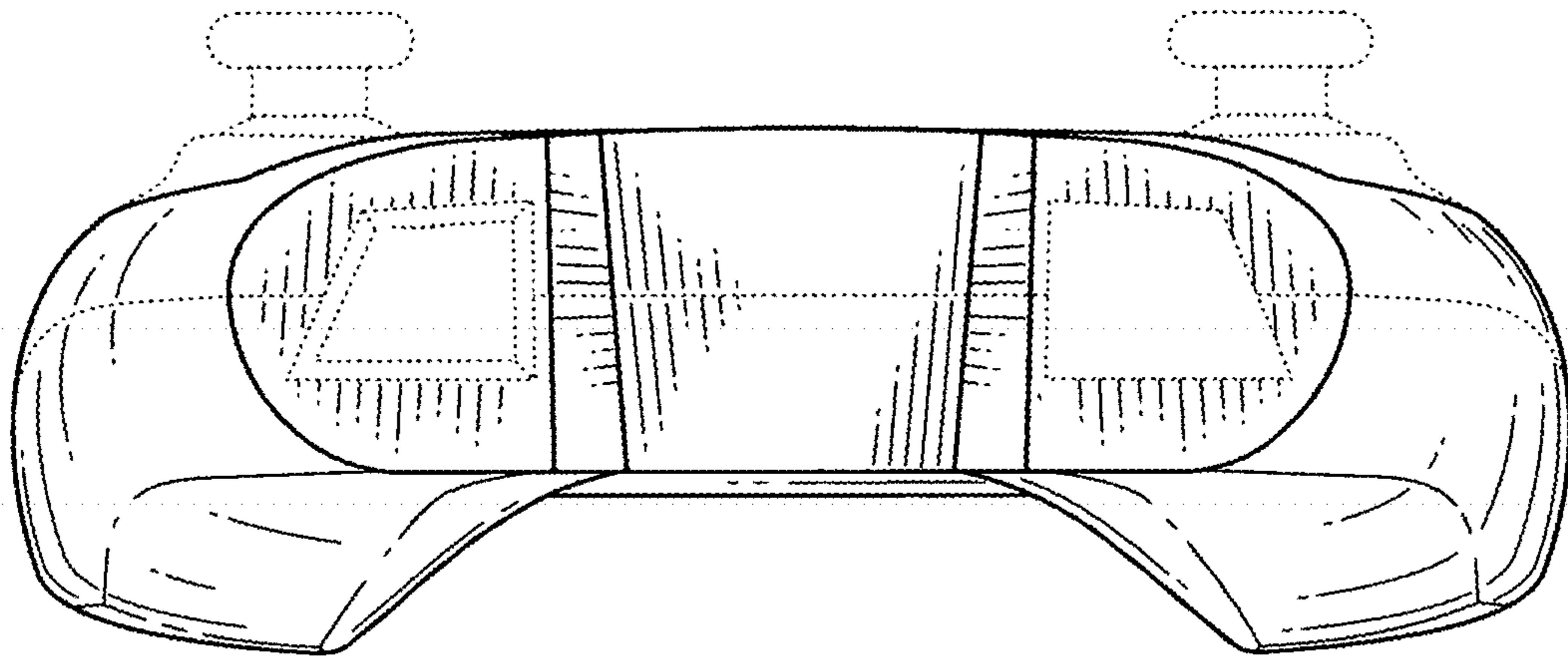


FIG. 2

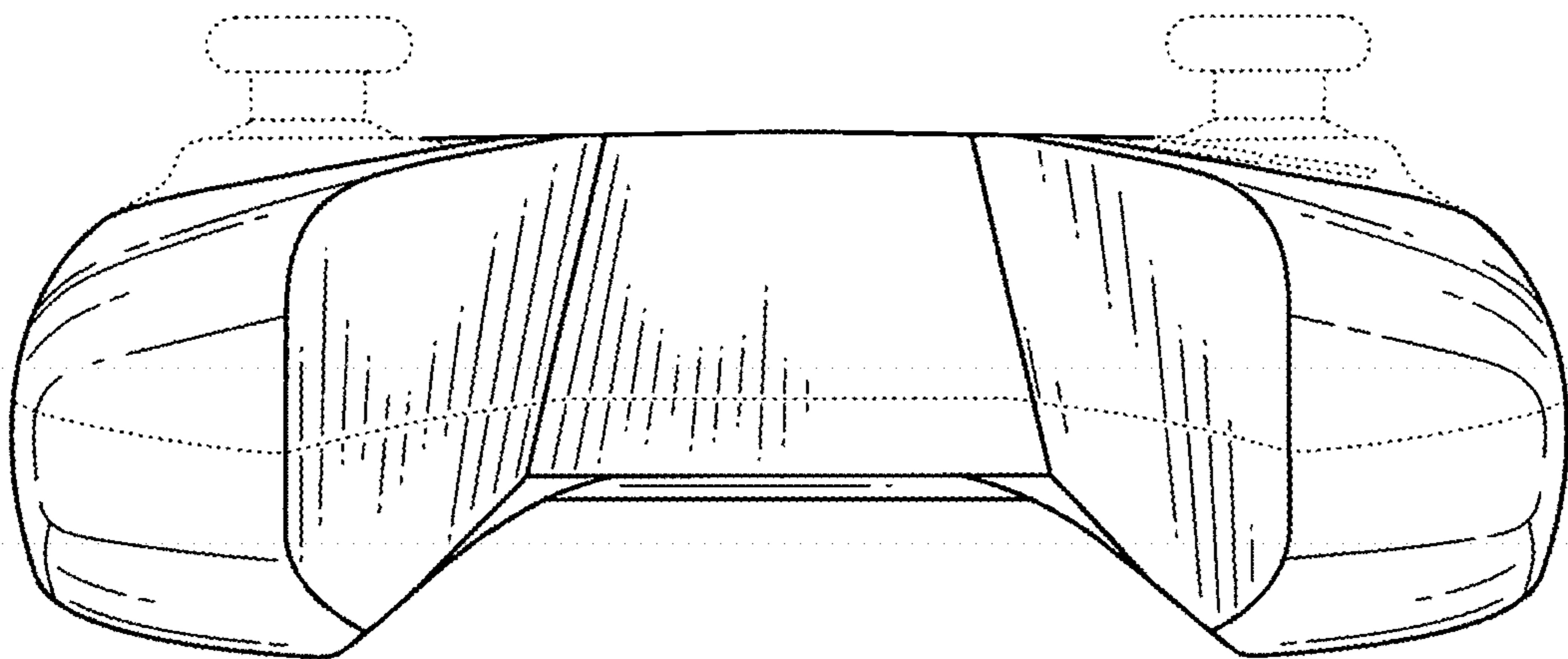


FIG. 3

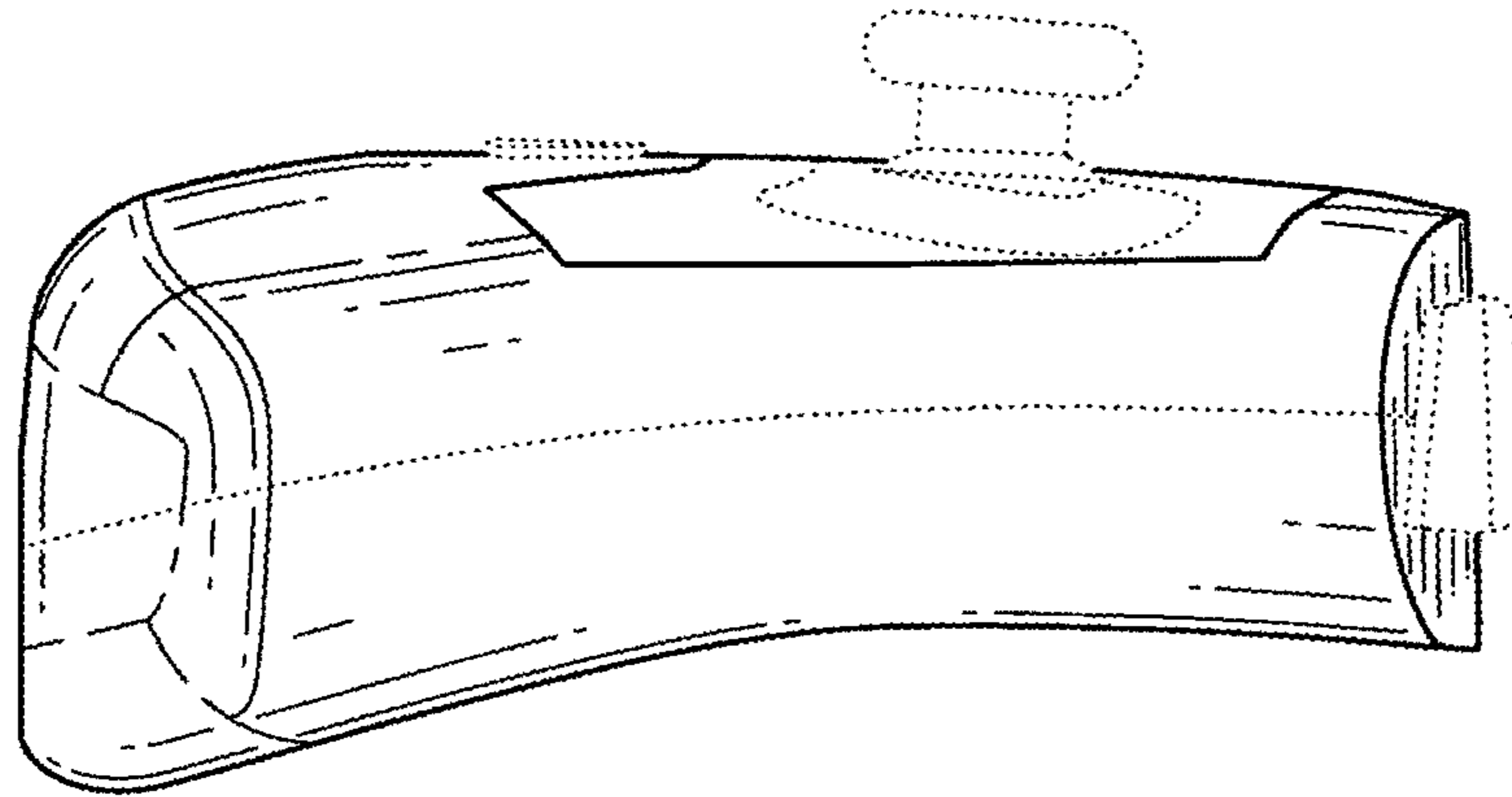


FIG. 4

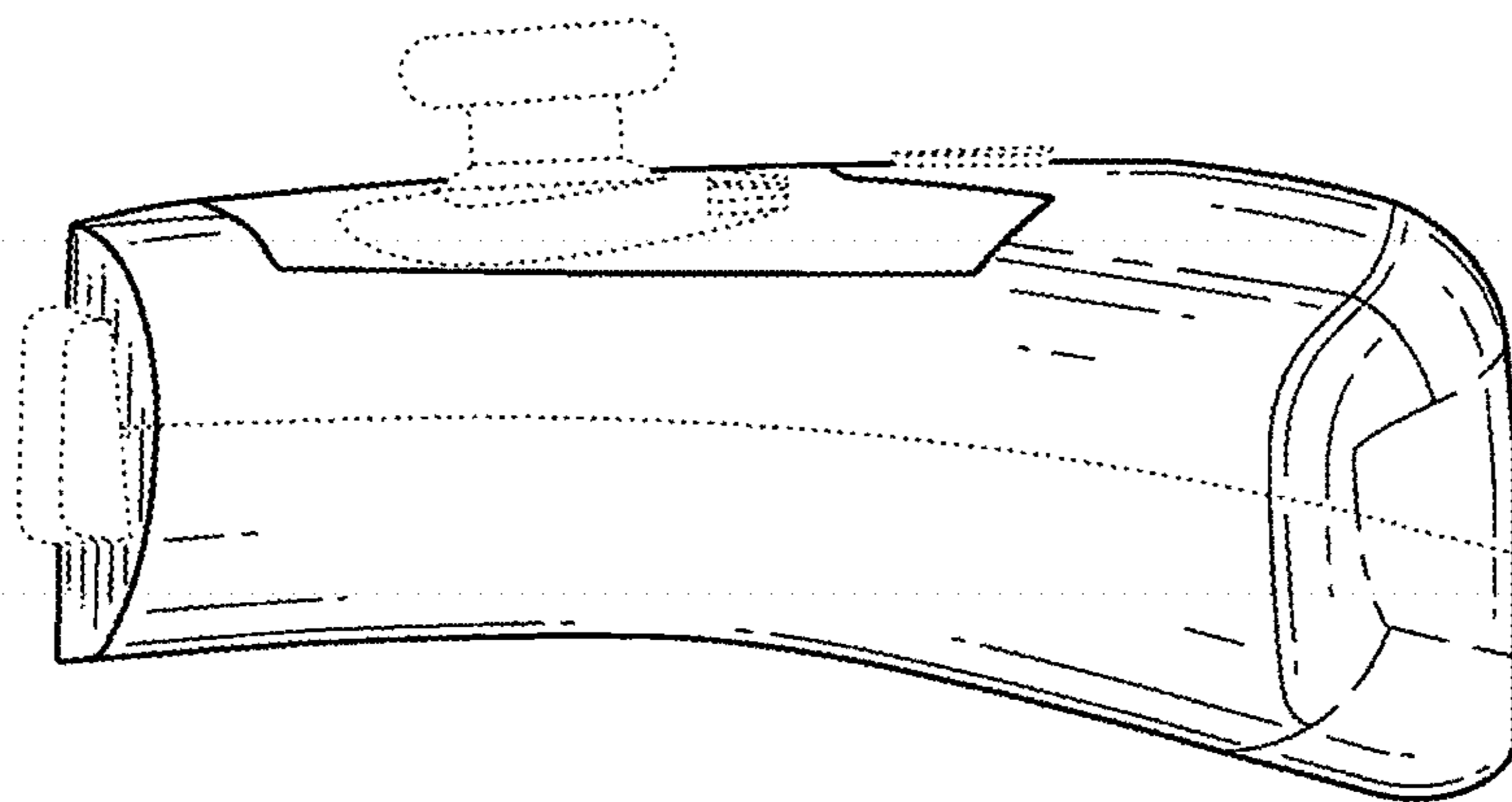


FIG. 5

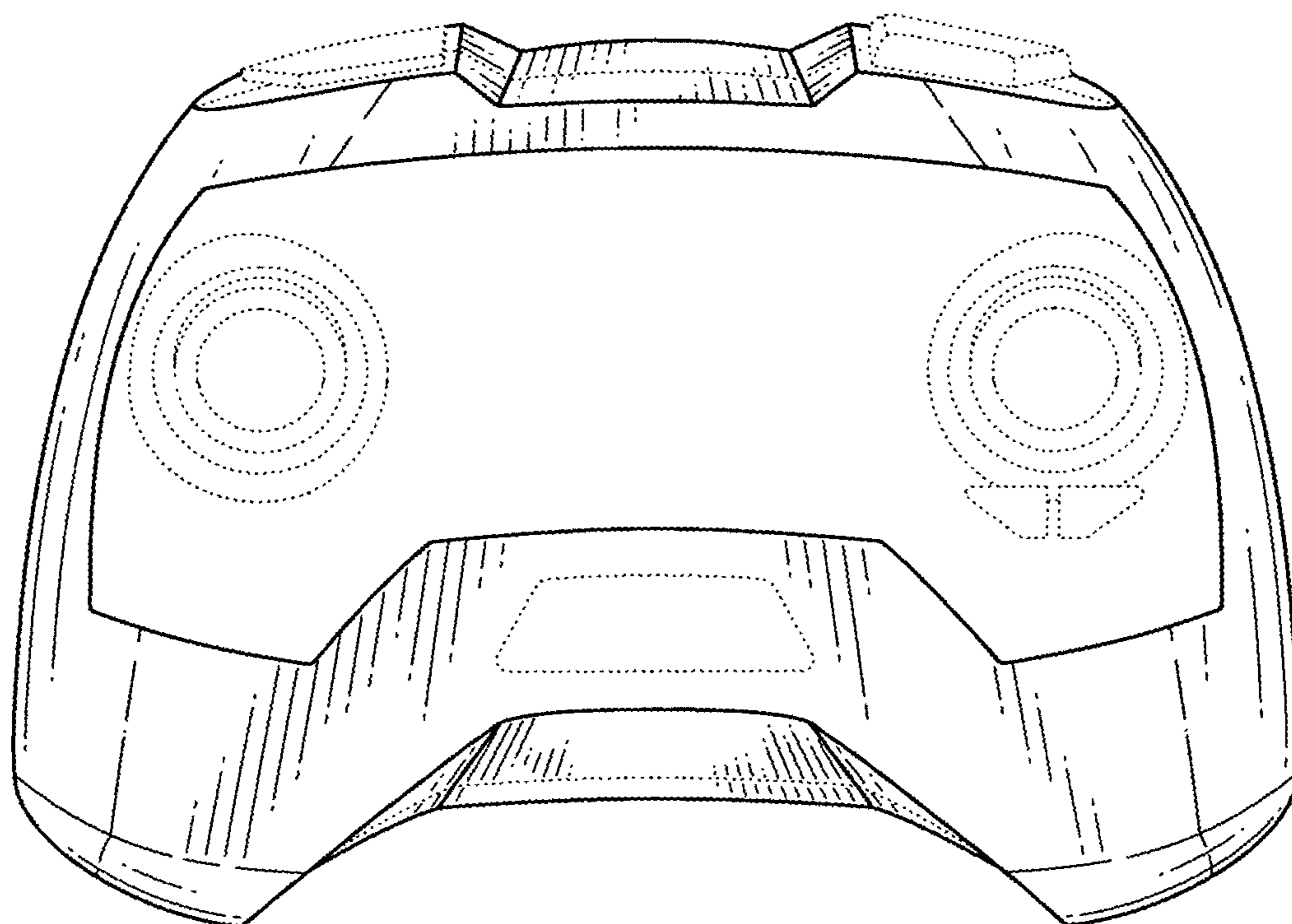


FIG. 6

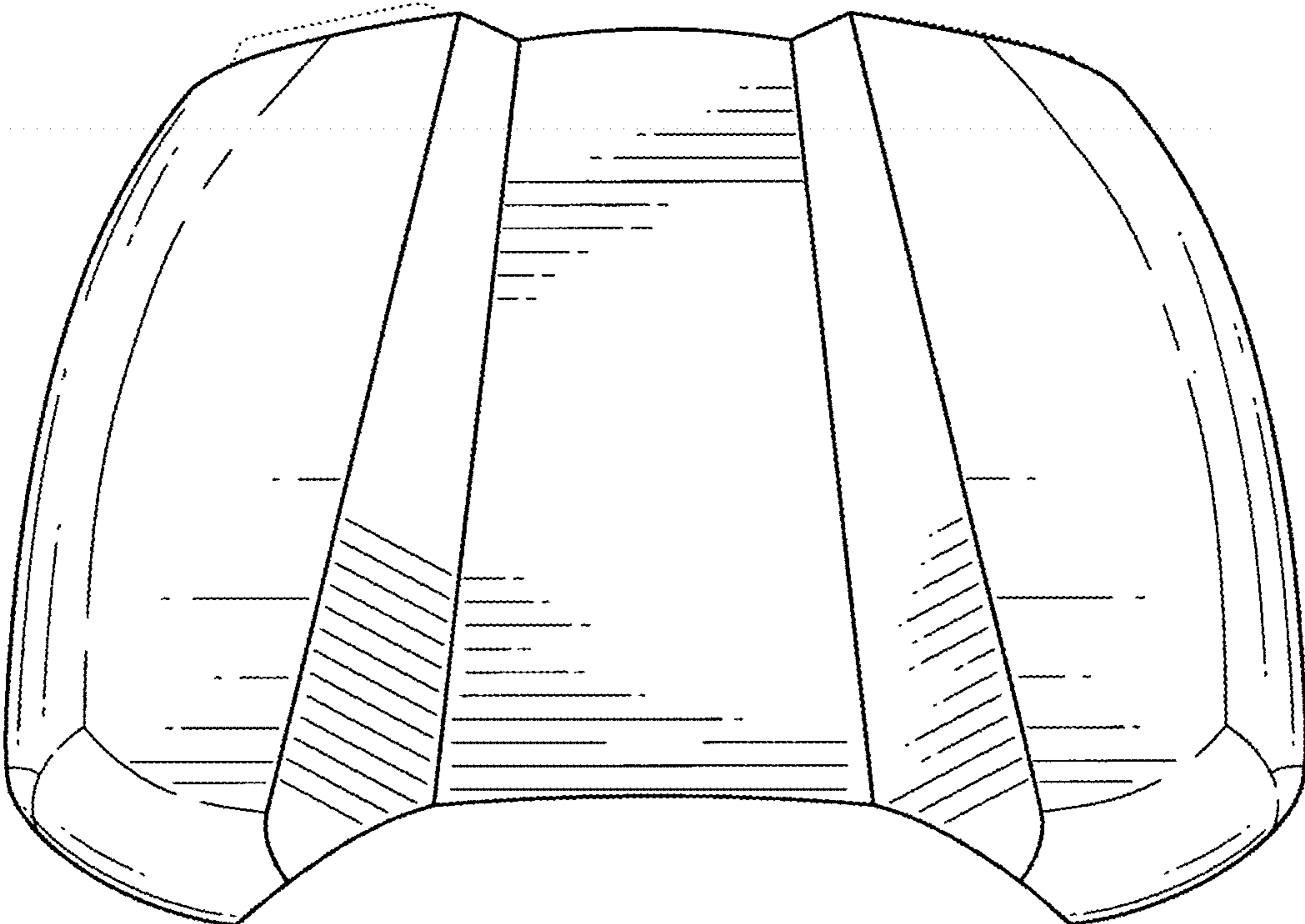


FIG. 7