



US00D885494S

(12) **United States Design Patent**
Zhang et al.

(10) **Patent No.:** **US D885,494 S**

(45) **Date of Patent:** **** May 26, 2020**

(54) **BUILDING BLOCK WITH A DOUBLE MALE CROSS HOLE**

(71) Applicant: **Shanghai Putao Technology Co., Ltd.**,
Shanghai (CN)

(72) Inventors: **Xiang Zhang**, Shanghai (CN); **Lei Xie**,
Shanghai (CN)

(73) Assignee: **SHANGHAI PUTAO TECHNOLOGY CO., LTD.**, Shanghai
(CN)

(**) Term: **15 Years**

(21) Appl. No.: **29/673,568**

(22) Filed: **Dec. 15, 2018**

(51) **LOC (12) Cl.** **21-01**

(52) **U.S. Cl.**
USPC **D21/487; D21/502**

(58) **Field of Classification Search**
USPC **D21/386, 389, 470, 471, 484-505;**
D8/382

CPC **A63H 33/00; A63H 33/04; A63H 33/06;**
A63H 33/067; A63H 33/08; A63H
33/084; A63H 33/086; A63H 33/088;
A63H 33/10; A63H 33/105; A63H 33/108
See application file for complete search history.

(56) **References Cited**

U.S. PATENT DOCUMENTS

3,882,630 A * 5/1975 Bianco A63H 33/084
446/106
D315,181 S * 3/1991 Meyer D21/487

D347,665 S * 6/1994 Hatting D21/487
D348,697 S * 7/1994 Hatting D21/487
D360,910 S * 8/1995 Frederiksen D21/488
D394,465 S * 5/1998 Schmidt D21/501
D394,681 S * 5/1998 Pagel D21/495
6,702,642 B1 * 3/2004 Parein A63H 33/08
446/105
D581,986 S * 12/2008 Evitt D20/43
D600,291 S * 9/2009 Christensen D21/501
D600,756 S * 9/2009 Fleming D21/502
D610,628 S * 2/2010 Christensen D21/484
D614,247 S * 4/2010 Clausen D21/488
D614,481 S * 4/2010 Lewis D8/382
D805,884 S * 12/2017 Evitt D8/382
D809,611 S * 2/2018 Deblois D21/503

* cited by examiner

Primary Examiner — Cynthia M. Chin

(74) *Attorney, Agent, or Firm* — Dragon Sun Law Firm,
PC; Jinggao Li, Esq.

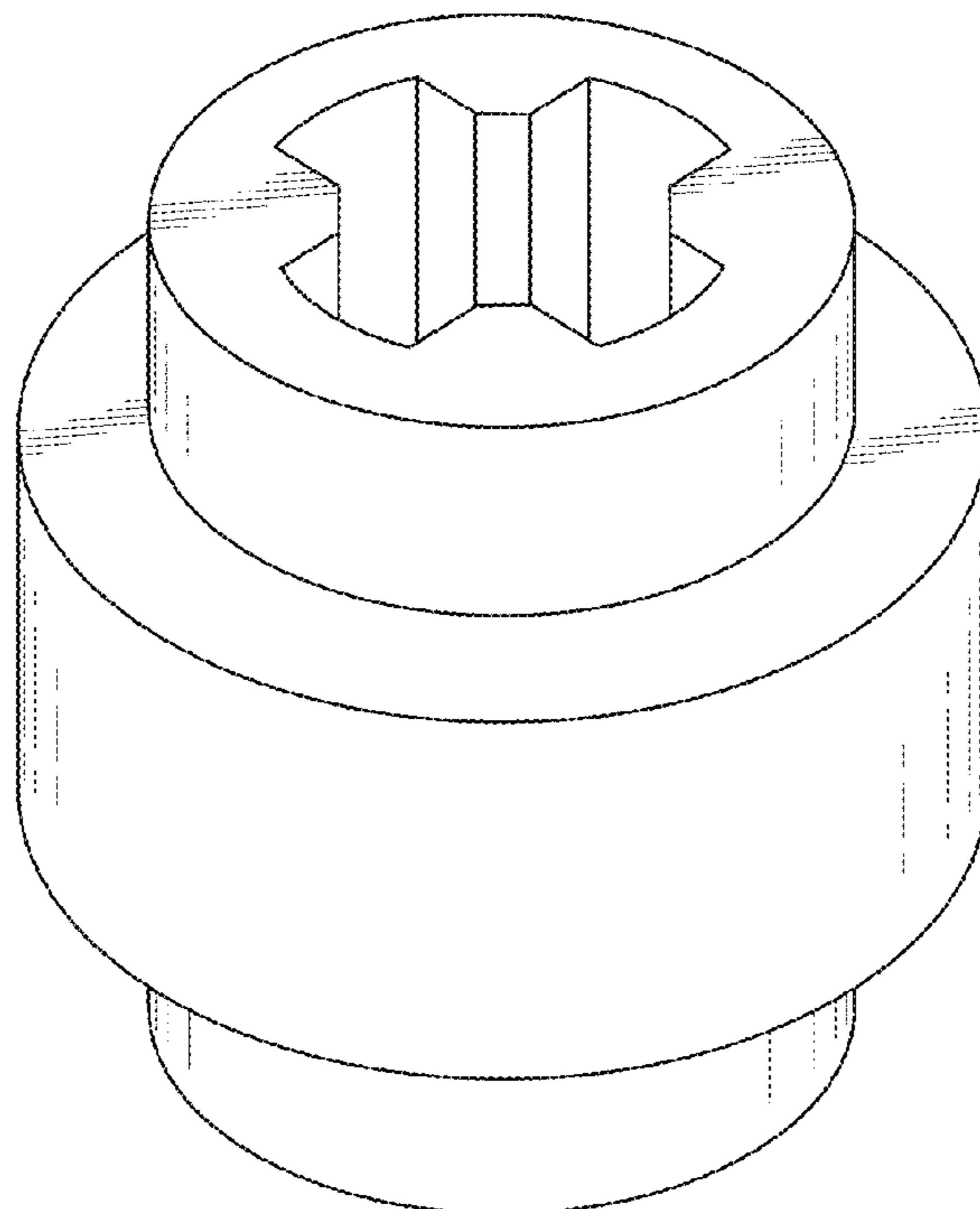
(57) **CLAIM**

The ornamental design for a building block with a double male cross hole, as shown and described.

DESCRIPTION

FIG. 1 is a top perspective of a building block with a double male cross hole showing our new design;
FIG. 2 is a bottom perspective thereof;
FIG. 3 is a top plan view thereof;
FIG. 4 is a bottom plan view thereof;
FIG. 5 is a front elevational view thereof;
FIG. 6 is a rear elevational view thereof;
FIG. 7 is a right side elevational view thereof; and,
FIG. 8 is a left side elevational view thereof.

1 Claim, 8 Drawing Sheets



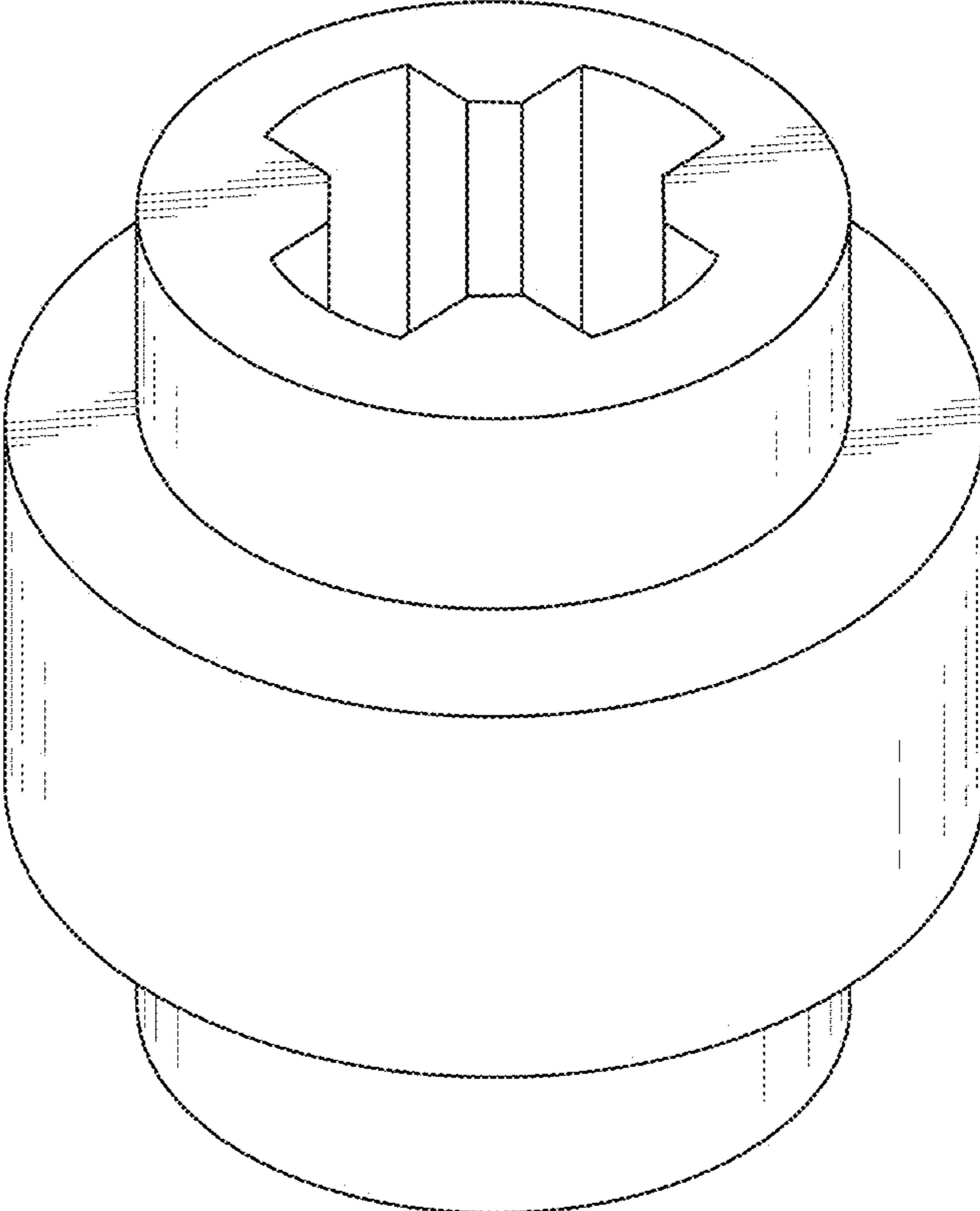


FIG. 1

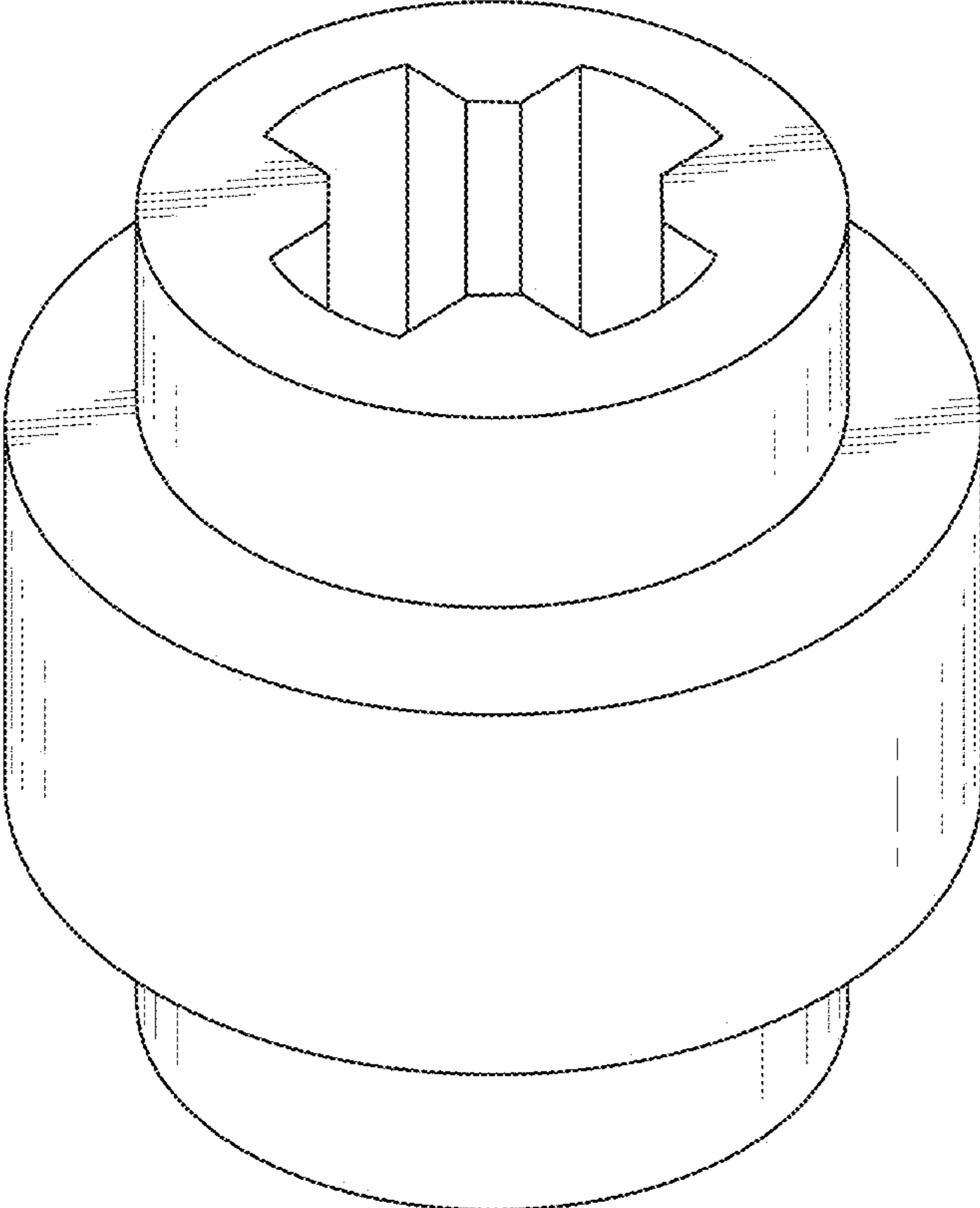


FIG. 2

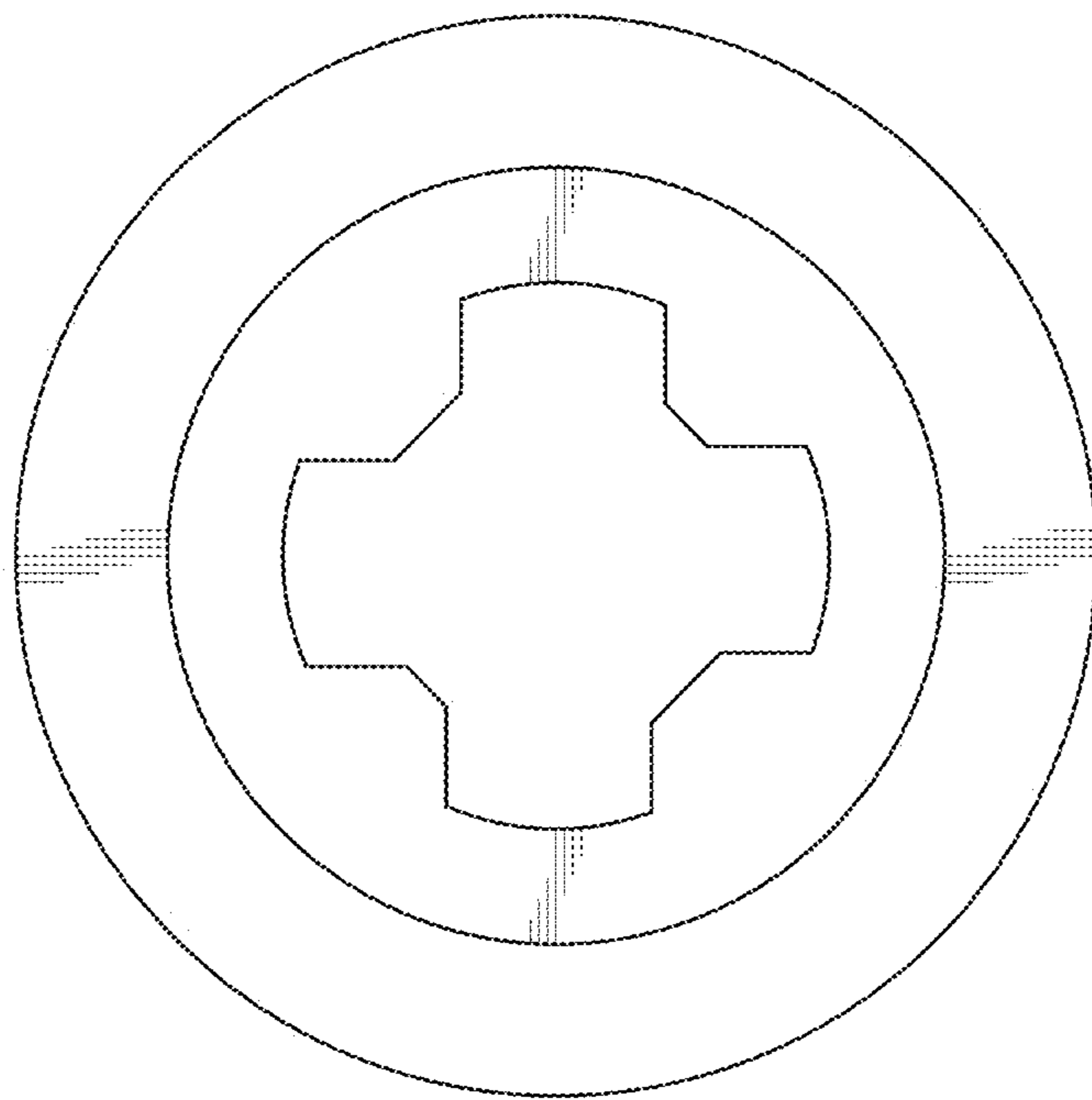


FIG. 3

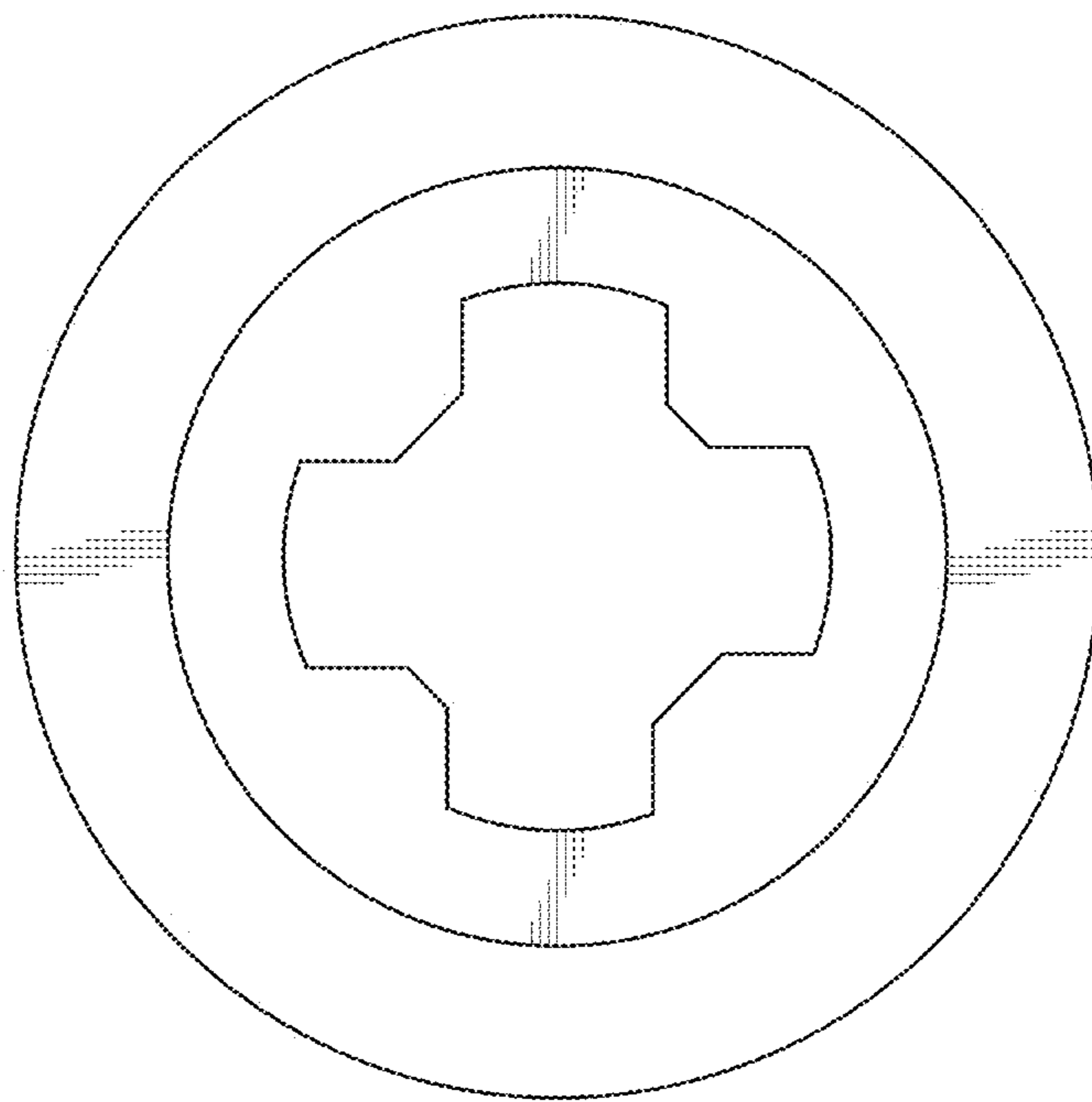


FIG. 4

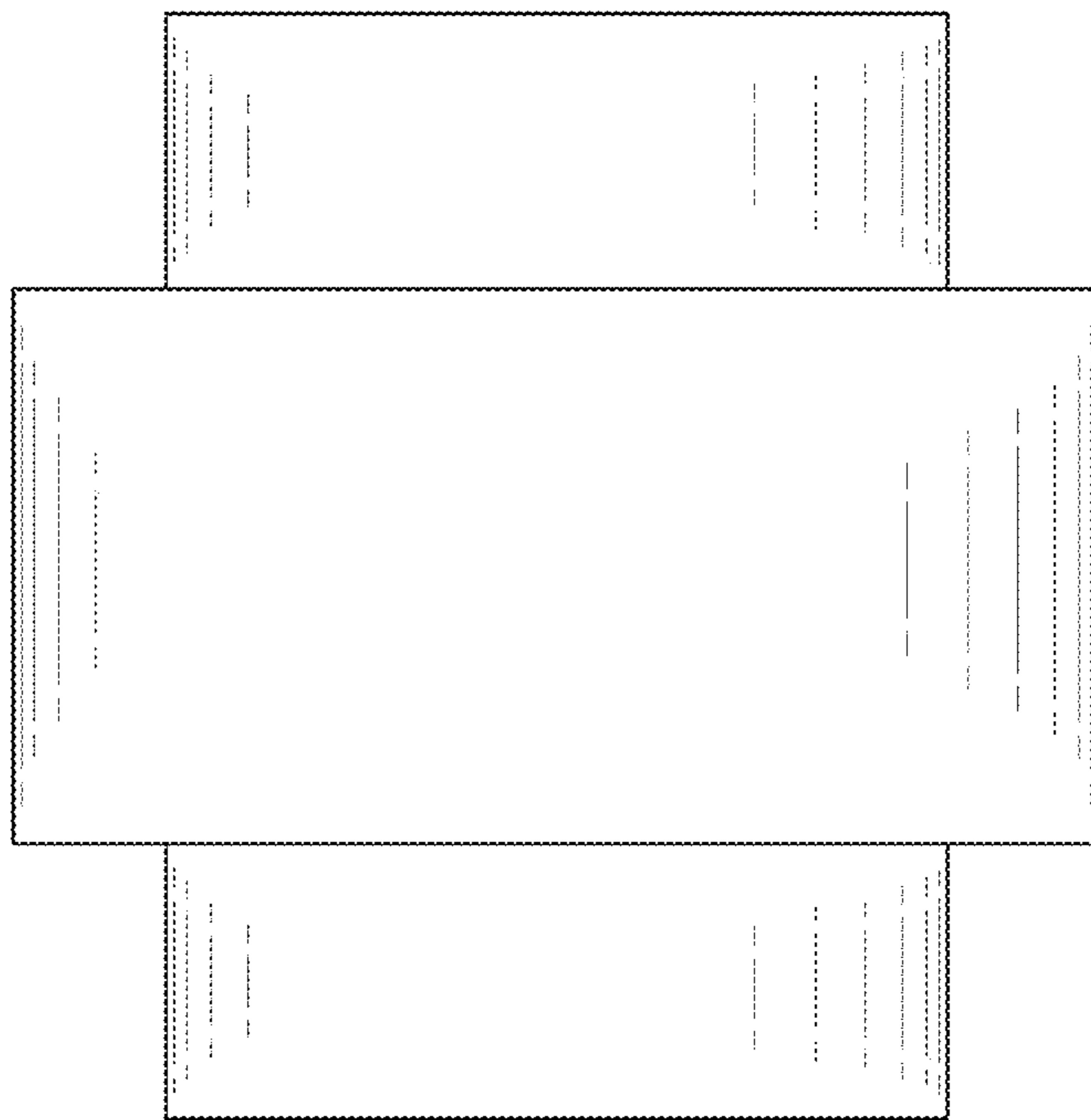


FIG. 5

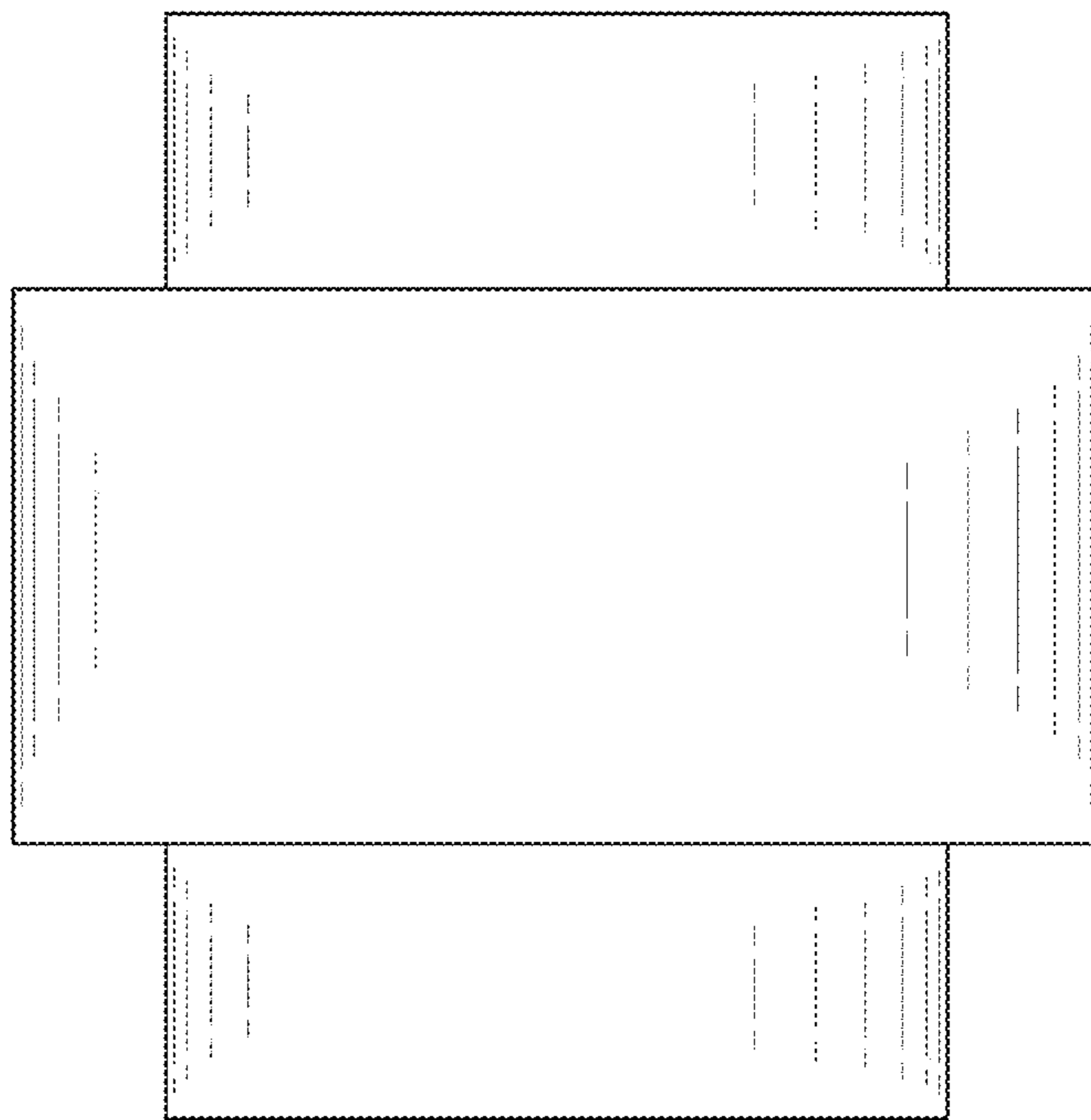


FIG. 6

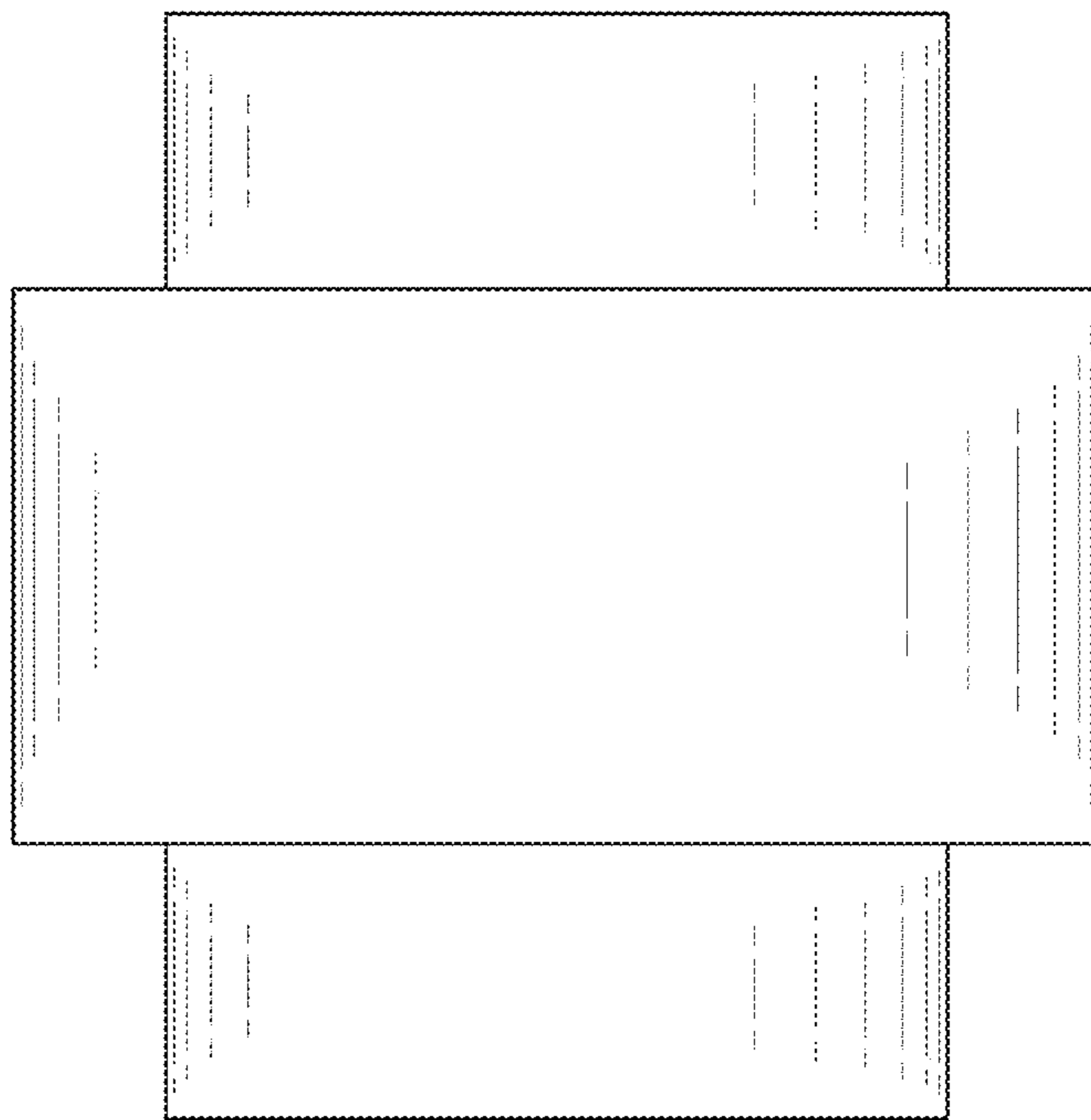


FIG. 7

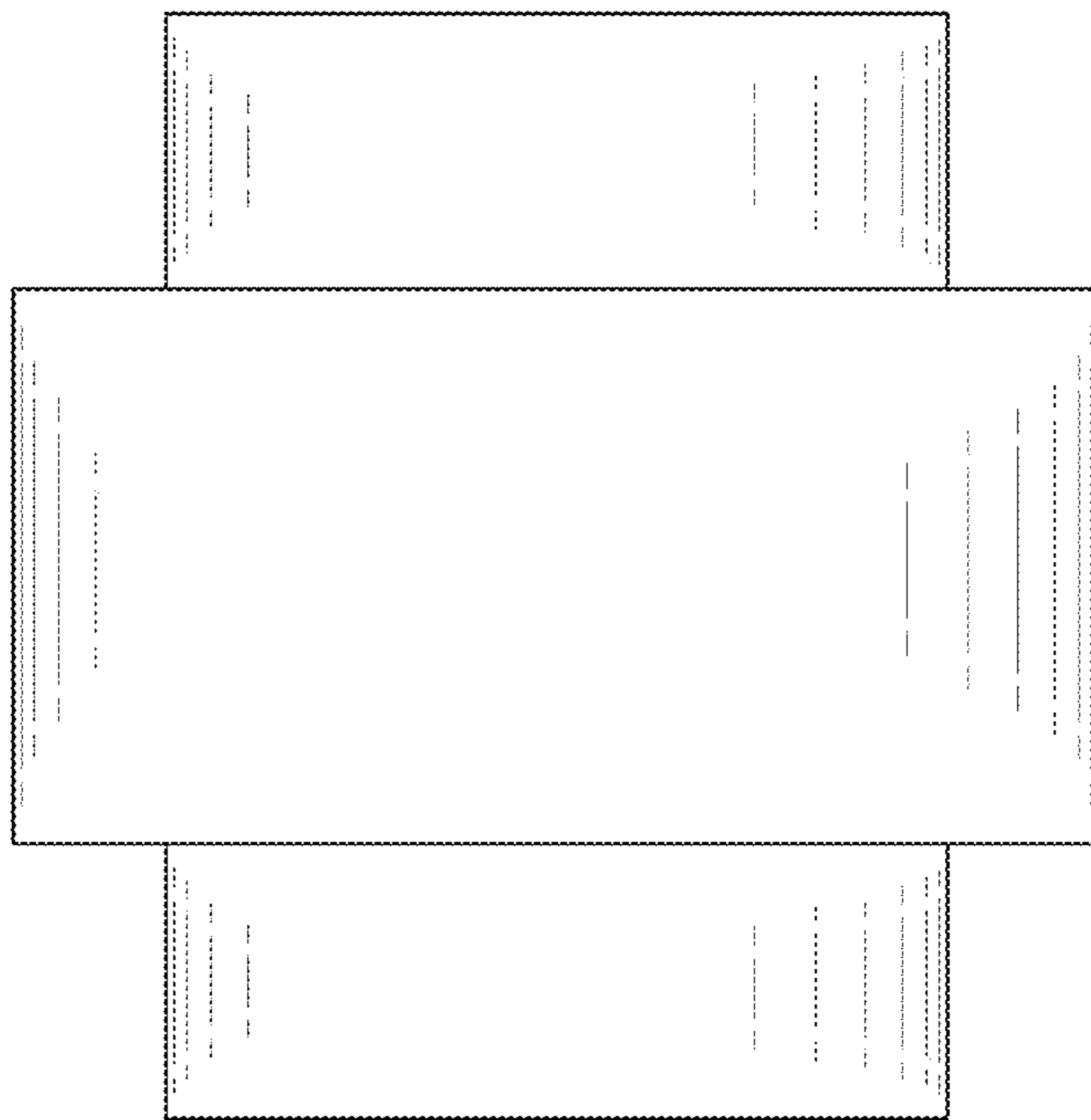


FIG. 8