



US00D885493S

(12) **United States Design Patent** (10) **Patent No.:** **US D885,493 S**
Talios et al. (45) **Date of Patent:** **** May 26, 2020**

- (54) **QUAD RIDE-ON TOY** 5,215,343 A * 6/1993 Fortune B60R 19/52
 293/115
 (71) Applicant: **Dynacraft BSC, Inc.**, American D349,078 S * 7/1994 Kimura D12/107
 Canyon, CA (US) D412,464 S * 8/1999 Ichihara D12/107
 D422,945 S * 4/2000 Luo D12/107
 (72) Inventors: **Bill Talios**, Petaluma, CA (US); **John** D423,603 S * 4/2000 Tasy D21/424
Bisges, Buford, GA (US); **David** D425,452 S * 5/2000 Mon D12/107
Castrucci, Napa, CA (US) D427,942 S * 7/2000 Cho D12/107
 D429,774 S * 8/2000 Lerch D21/432
 D438,823 S * 3/2001 Luh D12/107
 (73) Assignee: **Dynacraft BSC, Inc.**, Port Wentworth, D446,475 S * 8/2001 Luh D12/107
 GA (US) D448,325 S * 9/2001 Fujieda D12/107
 D452,835 S * 1/2002 Aoki D12/107
 (**) Term: **15 Years** D455,684 S * 4/2002 McGuinness D12/171
 D458,562 S * 6/2002 Kalhok D12/107
 (21) Appl. No.: **29/658,922** D464,291 S * 10/2002 Wu D12/107
 D485,212 S * 1/2004 Wu D12/107
 (22) Filed: **Aug. 3, 2018** D485,213 S * 1/2004 Wu D12/107
 D491,491 S * 6/2004 Luh D12/107
 D511,123 S * 11/2005 Lin D12/107
 D513,208 S * 12/2005 Lin D12/107

Related U.S. Application Data

- (62) Division of application No. 29/587,295, filed on Dec. 12, 2016, now Pat. No. Des. 854,624.
 (51) **LOC (12) Cl.** **21-01**
 (52) **U.S. Cl.**
 USPC **D21/432**; D12/107
 (58) **Field of Classification Search**
 USPC D12/3, 86, 87, 110, 107; D21/415,
 D21/419-435
 CPC B60K 5/12; B60K 13/04; B60K 17/354;
 B62K 13/06; B62K 3/002; B62K 9/00;
 B62K 13/00
 See application file for complete search history.

References Cited

U.S. PATENT DOCUMENTS

- D272,166 S * 1/1984 Orenstein D21/424
 D299,663 S * 1/1989 Harrod D21/432
 D299,707 S * 2/1989 Makita D12/107
 D300,128 S * 3/1989 Brennan D12/169
 D327,457 S * 6/1992 Saito D12/107
 D330,694 S * 11/1992 Kimura D12/107

(Continued)

Primary Examiner — Darlington Ly
 (74) *Attorney, Agent, or Firm* — Michael Best & Friedrich LLP

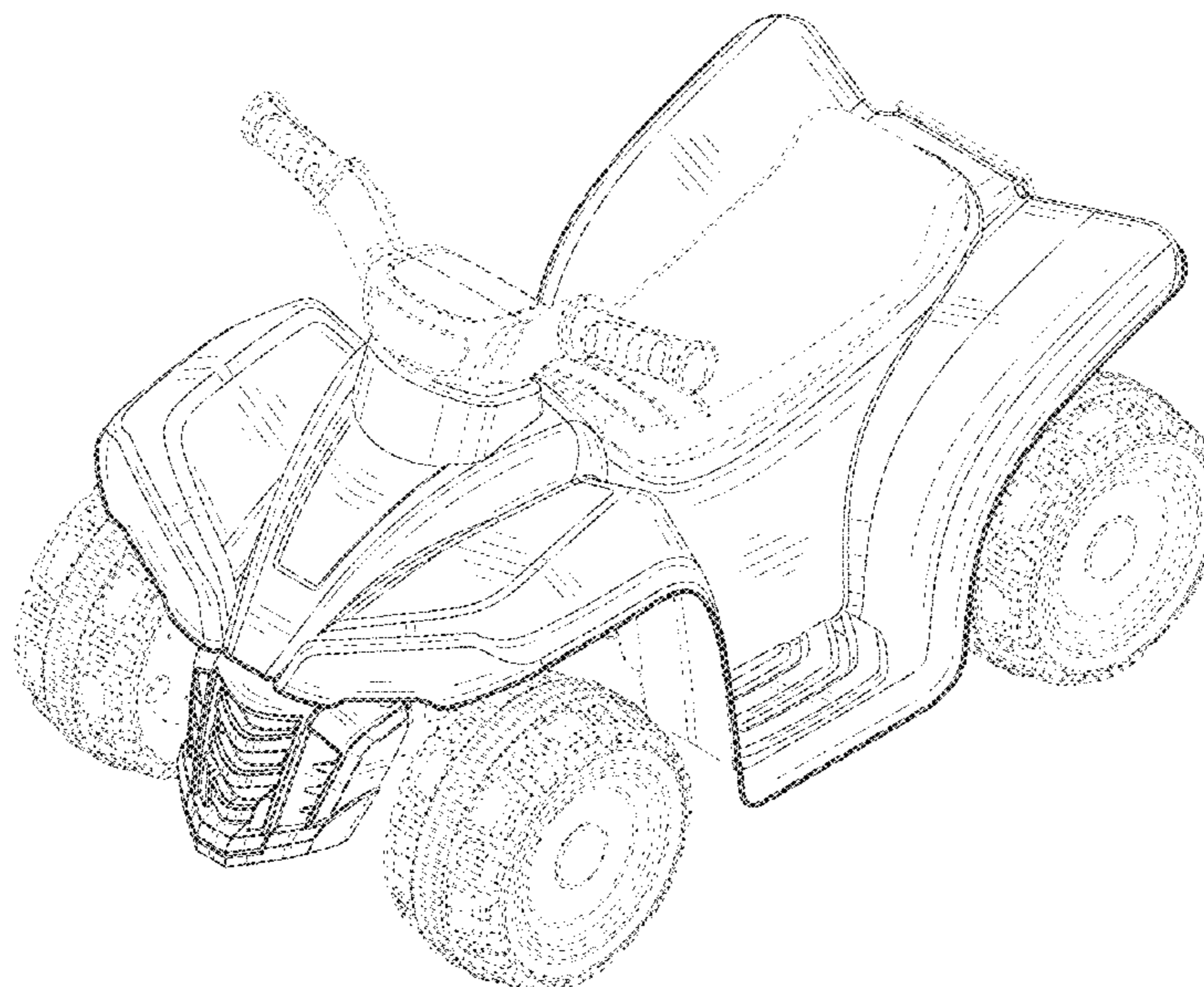
(57) **CLAIM**

The ornamental design for a quad ride-on toy, as shown and described.

DESCRIPTION

FIG. 1 is a front perspective view of a quad ride-on toy showing our new design;
 FIG. 2 is a front elevation view of FIG. 1;
 FIG. 3 is a rear elevation view of FIG. 1;
 FIG. 4 is a left side elevation view of FIG. 1;
 FIG. 5 is a right side elevation view of FIG. 1; and,
 FIG. 6 is a top plan view of FIG. 1.
 The broken lines show portions of the quad ride-on toy that form no part of the claimed design.

1 Claim, 4 Drawing Sheets



(56)

References Cited

U.S. PATENT DOCUMENTS

D513,396 S * 1/2006 Lin D12/107
 D515,976 S * 2/2006 Lin D12/107
 D515,978 S * 2/2006 Luh D12/107
 D534,100 S * 12/2006 Kinoshita D12/107
 D534,964 S * 1/2007 Chung D21/432
 7,306,270 B2 * 12/2007 Helms B60R 19/52
 293/106
 D570,254 S * 6/2008 Yin D12/107
 D572,180 S * 7/2008 Storer D12/171
 D596,533 S * 7/2009 Mikami D12/107
 D596,534 S * 7/2009 Tashiro D12/107
 D614,095 S * 4/2010 Fretz D12/171
 D614,537 S * 4/2010 Cheng D12/107
 7,703,834 B1 * 4/2010 Hardy B60R 9/06
 296/102
 D656,561 S * 3/2012 Hong D21/424
 D720,258 S * 12/2014 Takezaki D12/107
 D722,537 S * 2/2015 Hsieh D12/107
 D724,505 S * 3/2015 Schroeder D12/171

D726,605 S * 4/2015 Schroeder D12/171
 D760,133 S * 6/2016 Bennett D12/171
 D762,146 S * 7/2016 Takeda D12/107
 D771,537 S * 11/2016 Hare D12/169
 D775,016 S * 12/2016 Reynolds D12/171
 D776,582 S * 1/2017 Bennett D12/169
 D777,619 S * 1/2017 Barajas D12/167
 D781,757 S * 3/2017 Baggett D12/16
 D786,745 S * 5/2017 Zeng D12/167
 D788,827 S * 6/2017 Okuyama D15/28
 D789,258 S * 6/2017 McMath D12/167
 D792,818 S * 7/2017 McMath D12/169
 D793,304 S * 8/2017 McMath D12/169
 D794,519 S * 8/2017 McMath D12/169
 D805,000 S * 12/2017 Umemoto D12/107
 9,884,600 B2 * 2/2018 Fujimoto B60R 19/44
 2013/0187395 A1 * 7/2013 Hanson B60R 19/52
 293/115
 2015/0097346 A1 * 4/2015 Mucaro B62K 13/06
 280/7.1
 2016/0325700 A1 * 11/2016 Wheeler B60R 11/06

* cited by examiner

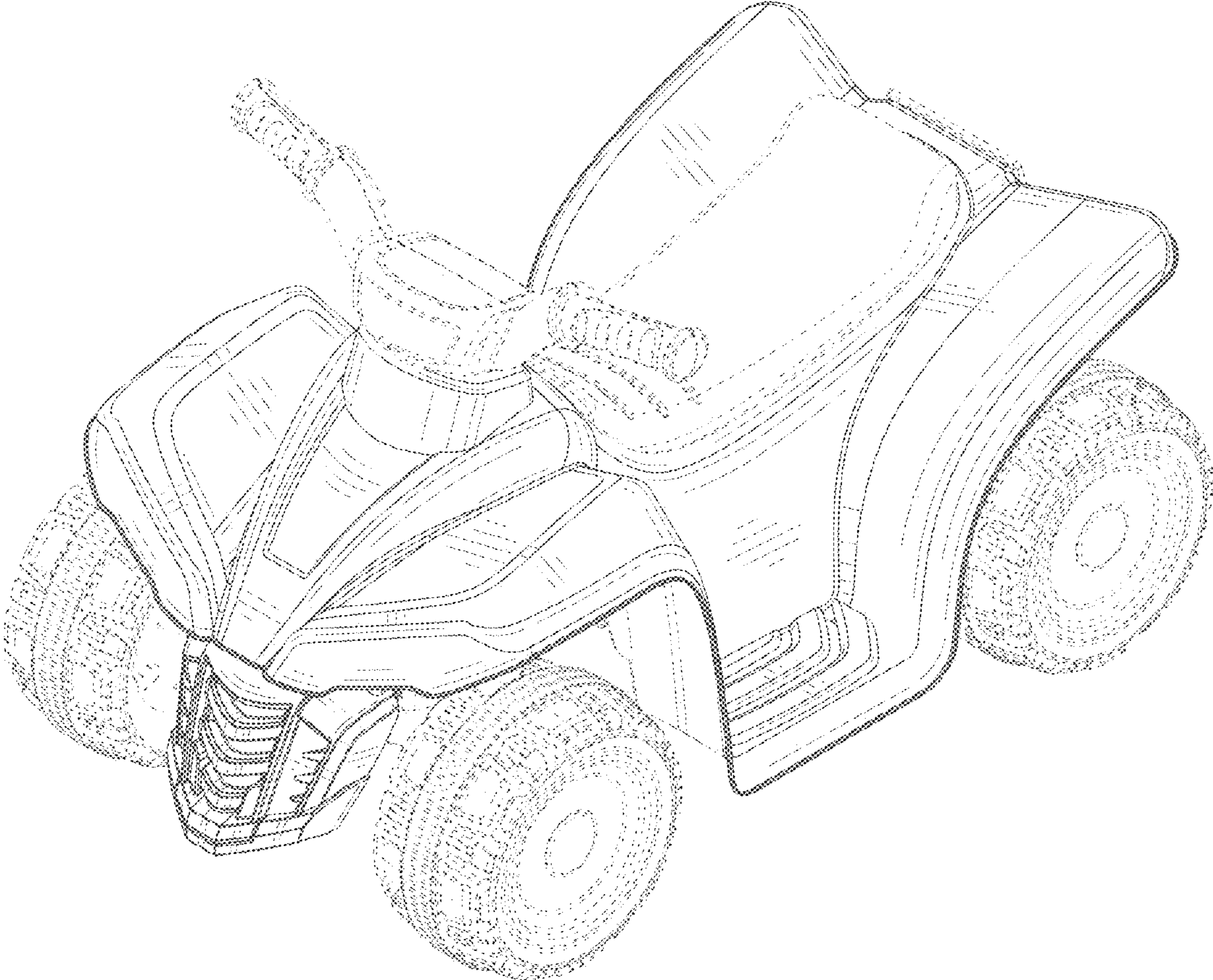


FIG. 1

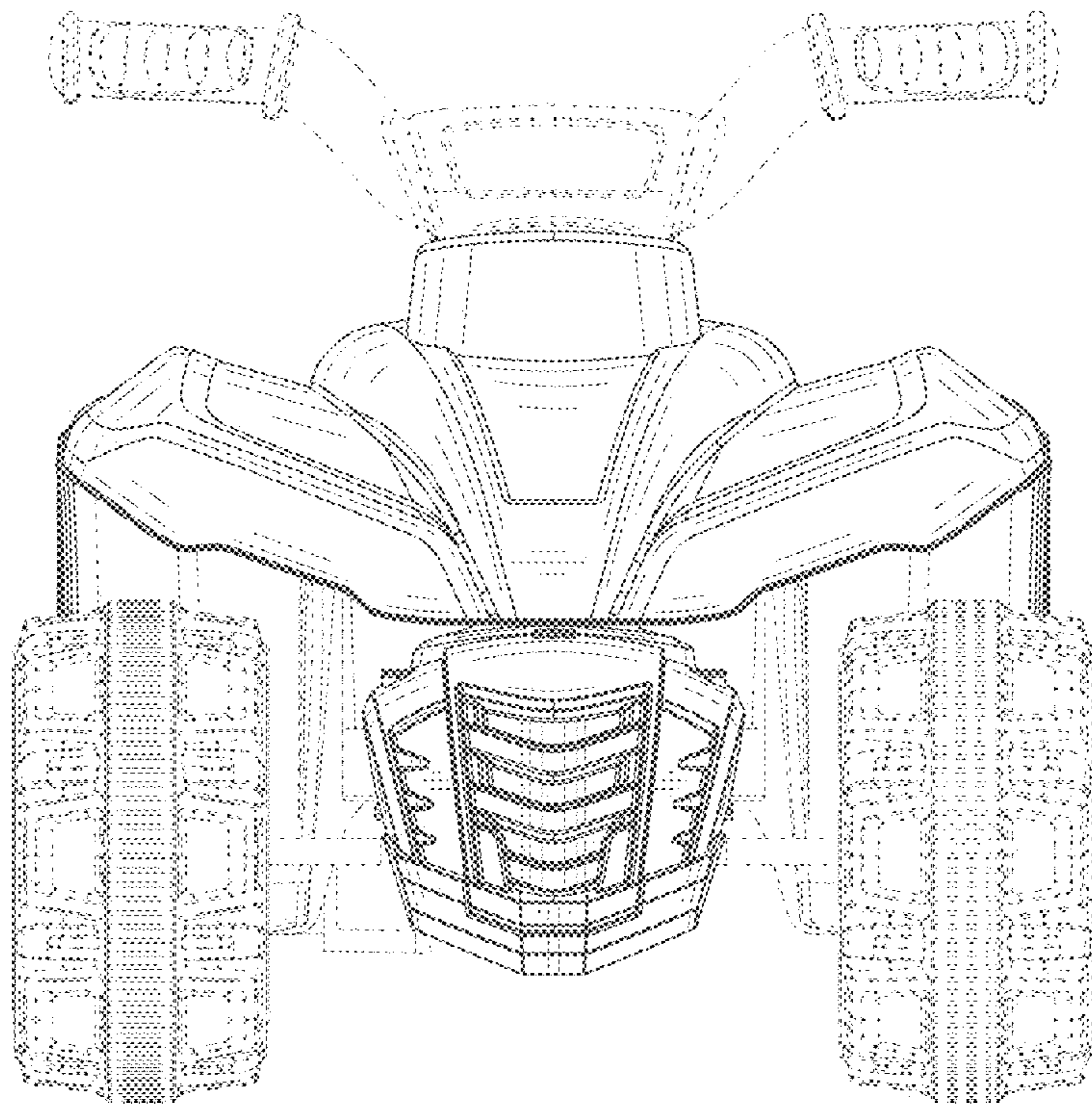


FIG. 2

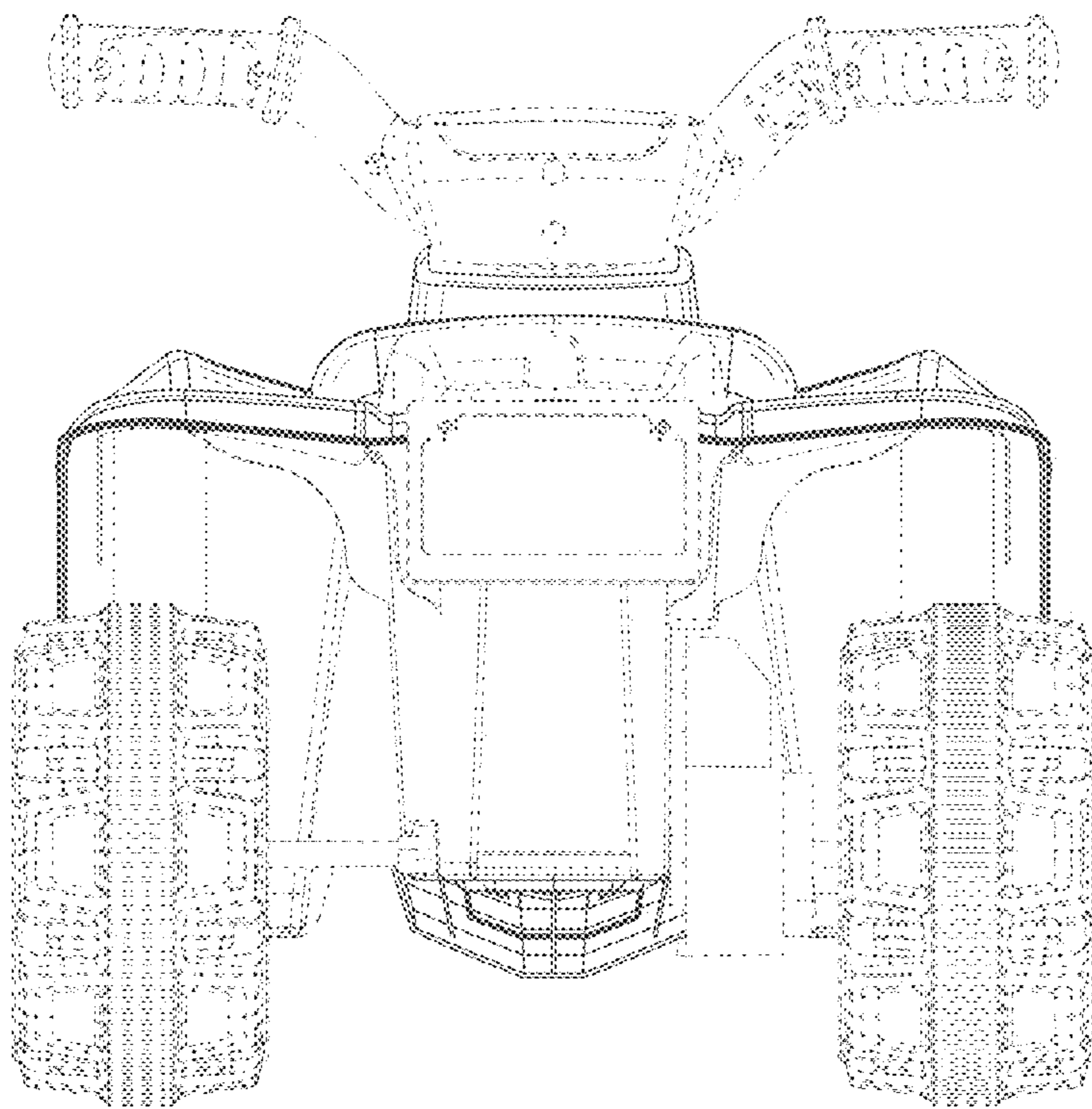


FIG. 3

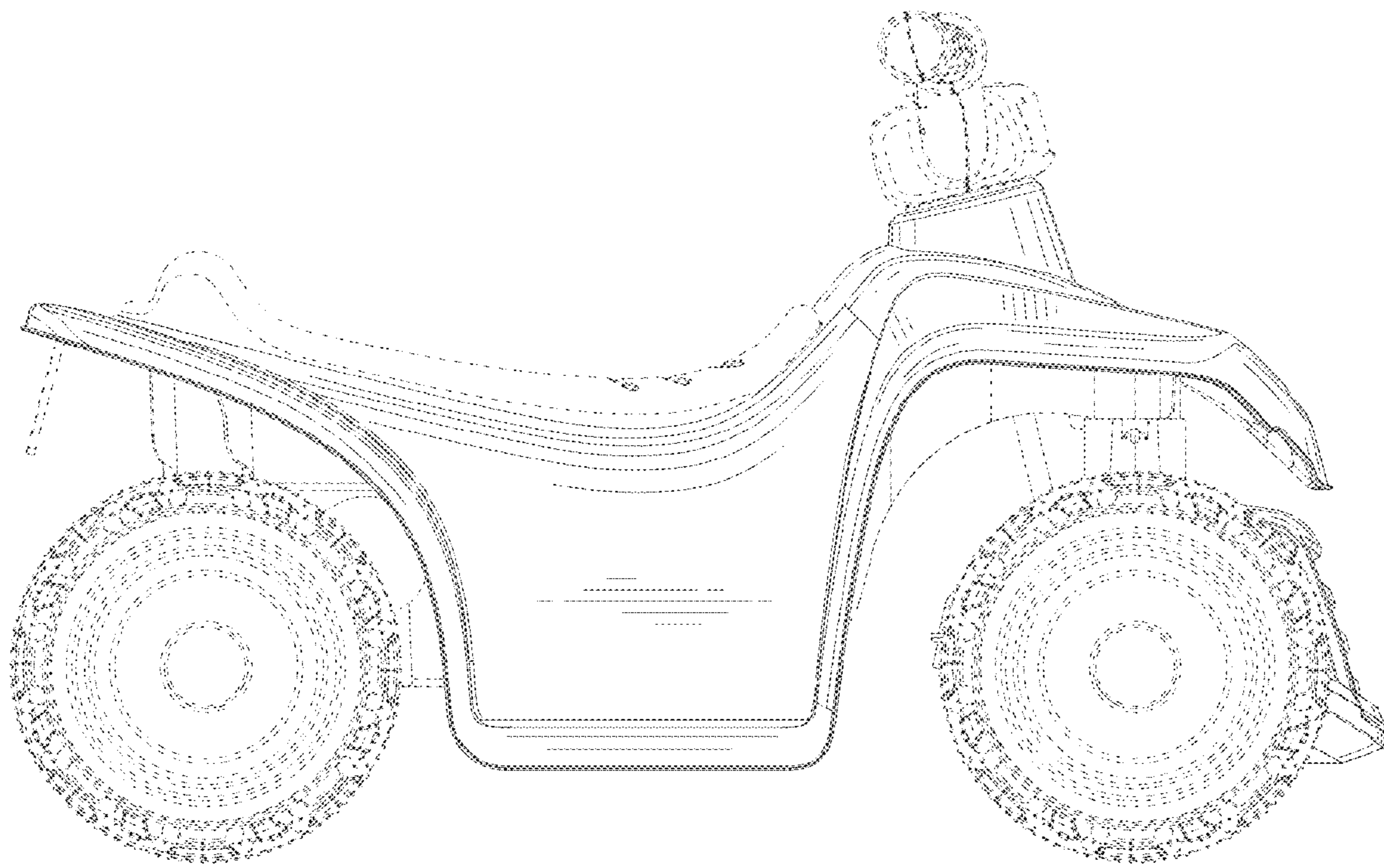


FIG. 4

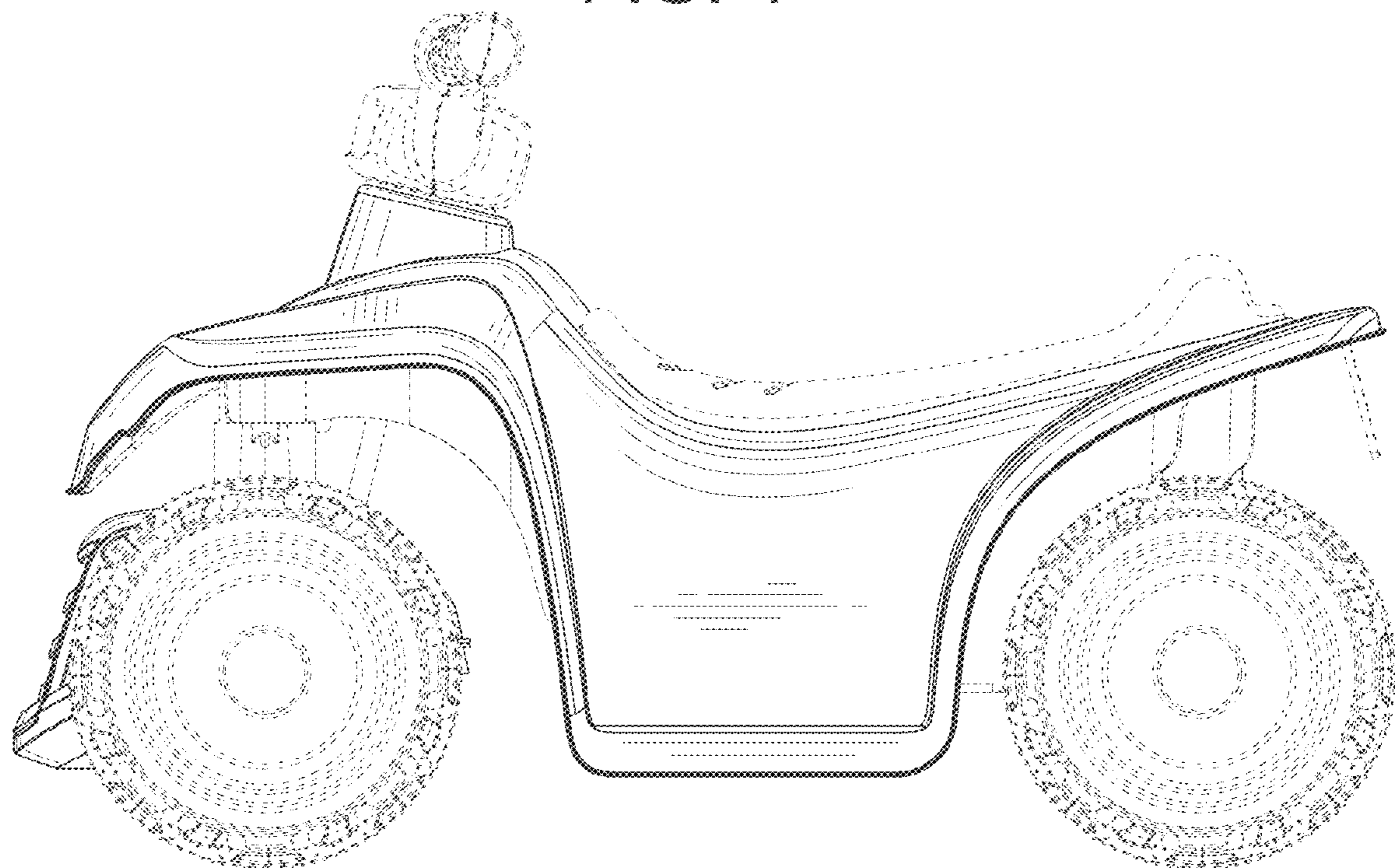


FIG. 5

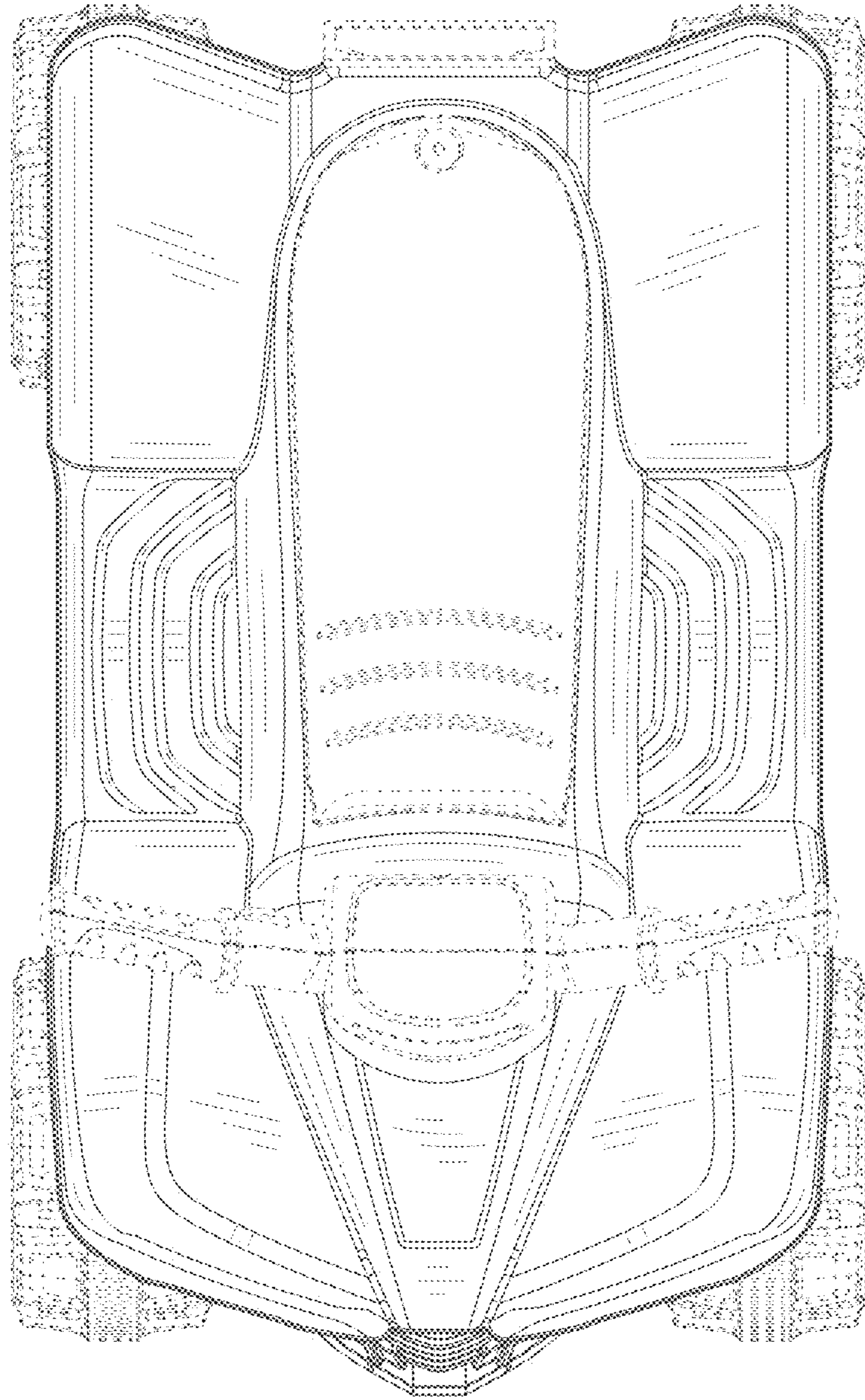


FIG. 6