



US00D885492S

(12) **United States Design Patent**
Zhang

(10) **Patent No.:** **US D885,492 S**

(45) **Date of Patent:** **** May 26, 2020**

(54) **SCOOTER**

(71) Applicant: **Shenzhen COOGHI Funkids Technology Co., Ltd, Shenzhen (CN)**

(72) Inventor: **Jun Zhang, Shenzhen (CN)**

(73) Assignee: **SHENZHEN COOGHI FUNKIDS TECHNOLOGY CO., LTD., Shenzhen (CN)**

(**) Term: **15 Years**

(21) Appl. No.: **29/668,115**

(22) Filed: **Oct. 27, 2018**

(30) **Foreign Application Priority Data**

Apr. 28, 2018 (CN) 2018 3 0187387

(51) **LOC (12) Cl.** **21-01**

(52) **U.S. Cl.**
USPC **D21/423**

(58) **Field of Classification Search**
USPC D21/419, 421, 423, 426–428, 435,
D21/668–671, 760, 65, 771
CPC B62K 3/002; B62K 15/00; B62K 21/16;
B62M 1/00; B62M 1/36
See application file for complete search history.

(56) **References Cited**

U.S. PATENT DOCUMENTS

D326,290 S *	5/1992	Badsey	D12/110
D701,271 S *	3/2014	Grout	D21/419
D728,033 S *	4/2015	O'connell	D21/423
D736,861 S *	8/2015	Eckert	D21/423
D738,435 S *	9/2015	O'Connell	D21/423
D745,608 S *	12/2015	Xu	D21/423
D746,924 S *	1/2016	Delgatty	D21/423
D749,174 S *	2/2016	O Connell	D21/423
D750,711 S *	3/2016	Delgatty	D21/423
D755,305 S *	5/2016	Edlauer	D21/423

D756,465 S *	5/2016	Byrne	D21/423
D774,979 S *	12/2016	Delgatty	D12/111
D777,261 S *	1/2017	Desberg	D21/423
D785,716 S *	5/2017	Herlitz	D21/423
D795,354 S *	8/2017	Desberg	D21/423
D834,098 S *	11/2018	Desberg	D21/423
D835,204 S *	12/2018	Yao	D21/423
D835,205 S *	12/2018	Yao	D21/423
D842,384 S *	3/2019	Kirchschlager	D21/419
D848,536 S *	5/2019	Lee	D21/423
D848,563 S *	5/2019	Cao	D21/765
D859,535 S *	9/2019	Li	D21/423
D860,330 S *	9/2019	Xu	D21/423
D868,166 S *	11/2019	Kirchschlager	D21/423

* cited by examiner

Primary Examiner — Darlington Ly

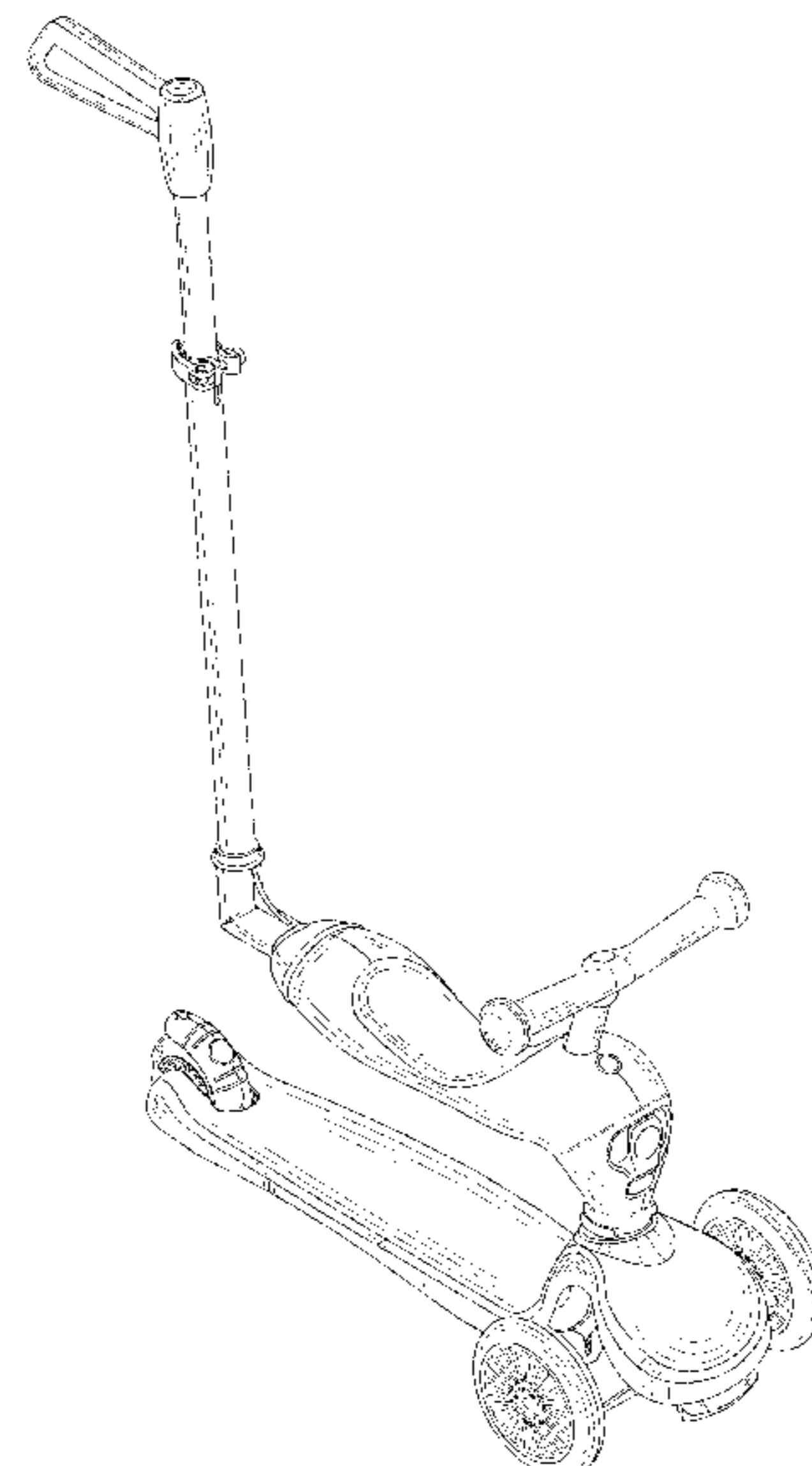
(57) **CLAIM**

The ornamental design for a scooter, as shown and described.

DESCRIPTION

FIG. 1 is a perspective view of a scooter showing my new design;
 FIG. 2 is another perspective view thereof;
 FIG. 3 is a front elevational view thereof;
 FIG. 4 is a rear elevational view thereof;
 FIG. 5 is a left side elevational view thereof;
 FIG. 6 is a right side elevational view thereof;
 FIG. 7 is a top plan view thereof;
 FIG. 8 is a bottom plan view thereof;
 FIG. 9 is a perspective view of the scooter with the control lever separated; and,
 FIG. 10 is a perspective view of the scooter in a second state with the saddle installed to the handlebar and the control lever separated.
 The broken lines in the drawings are for the purpose of illustrating portions of the scooter that form no part of the claimed design.

1 Claim, 10 Drawing Sheets



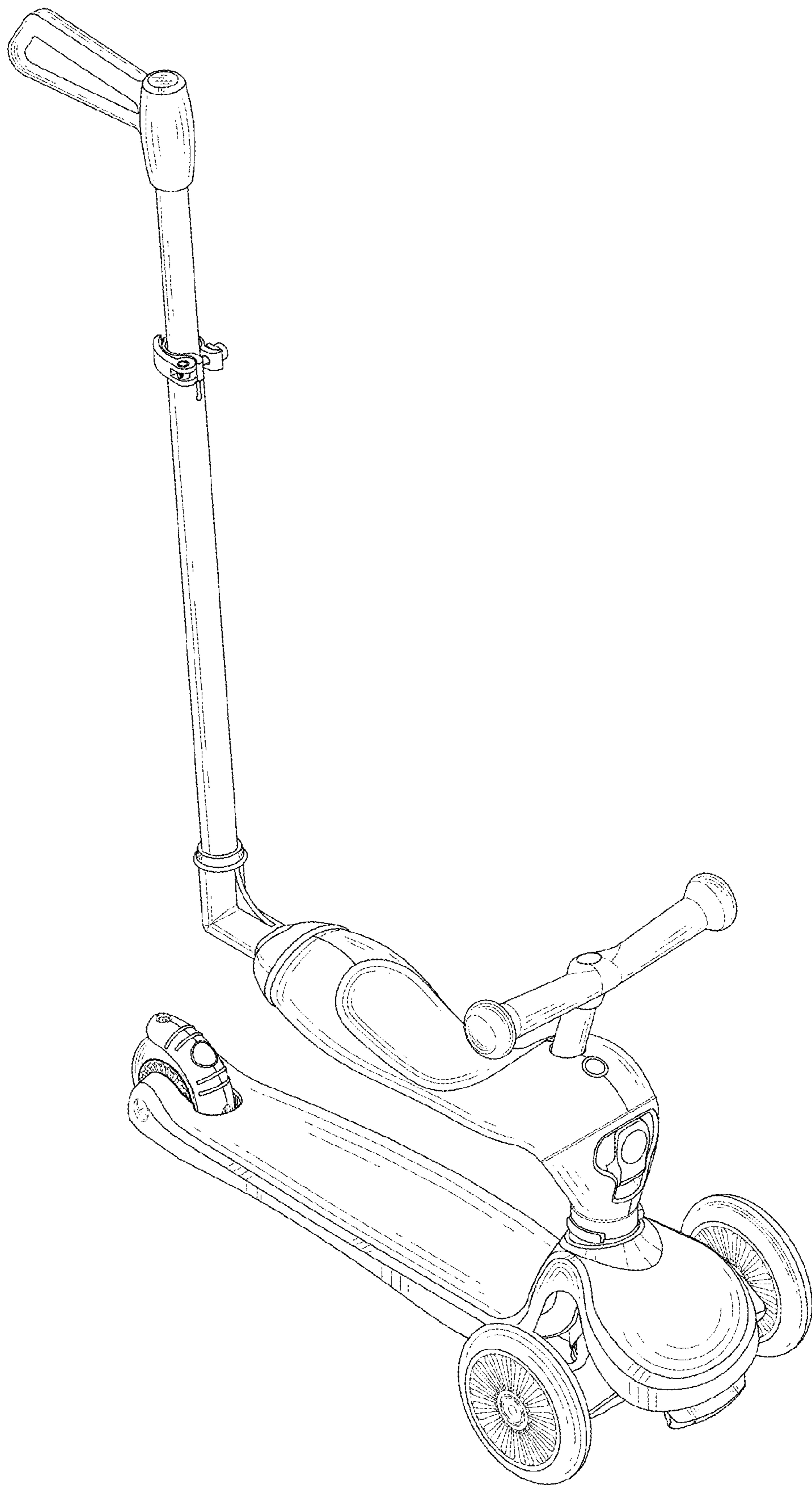


FIG. 1

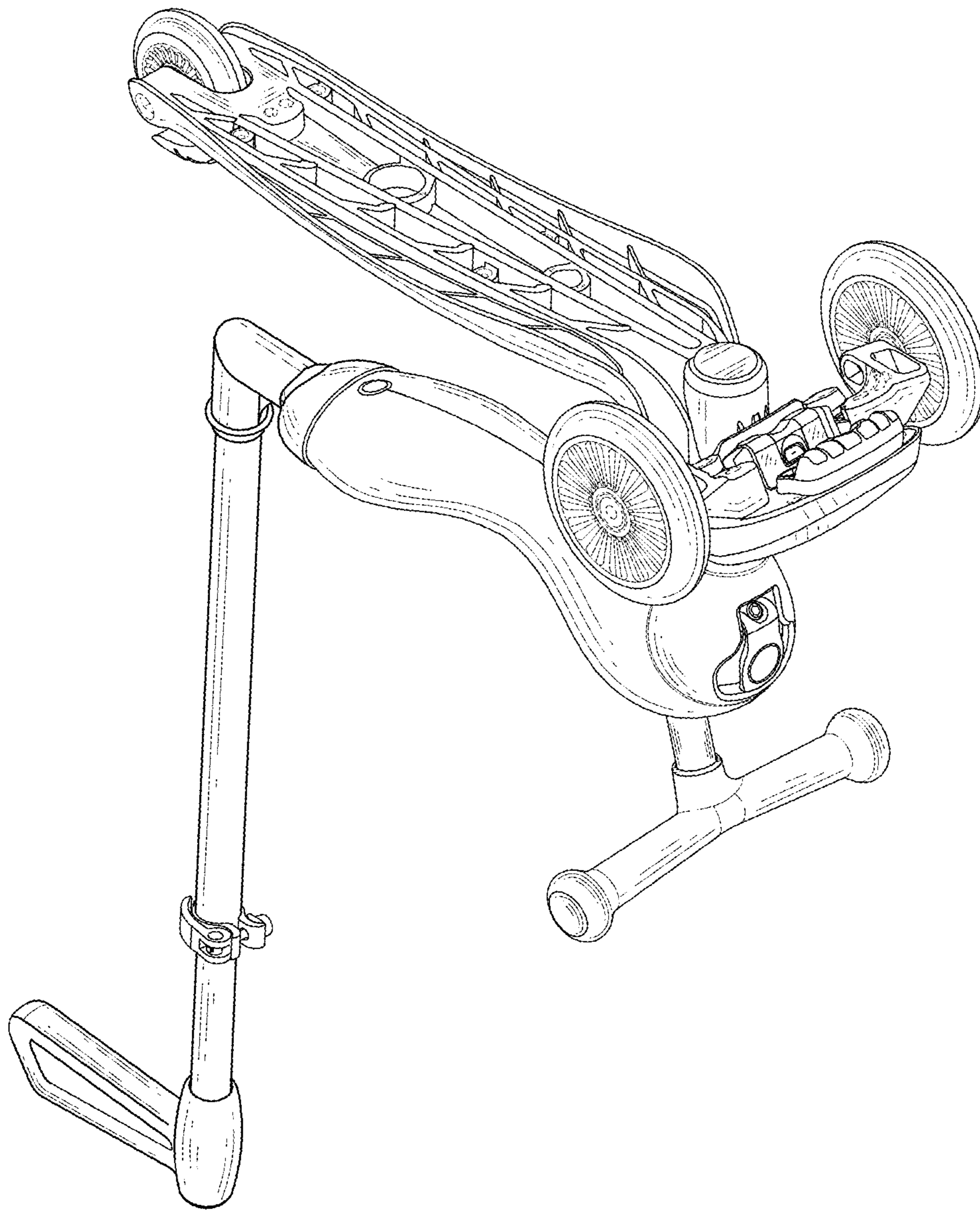


FIG. 2

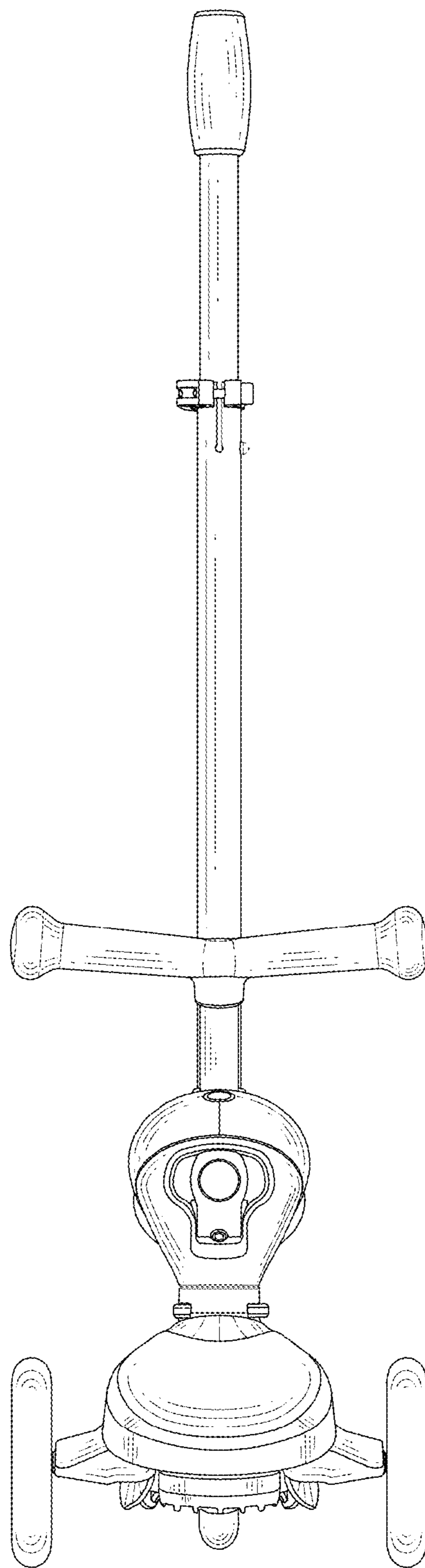


FIG. 3

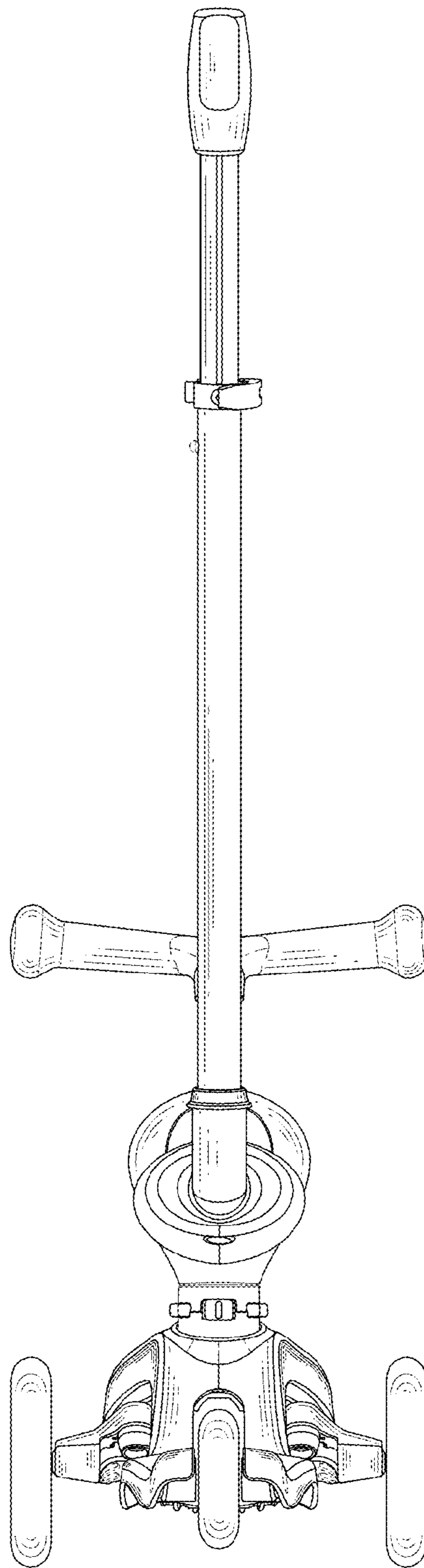


FIG. 4

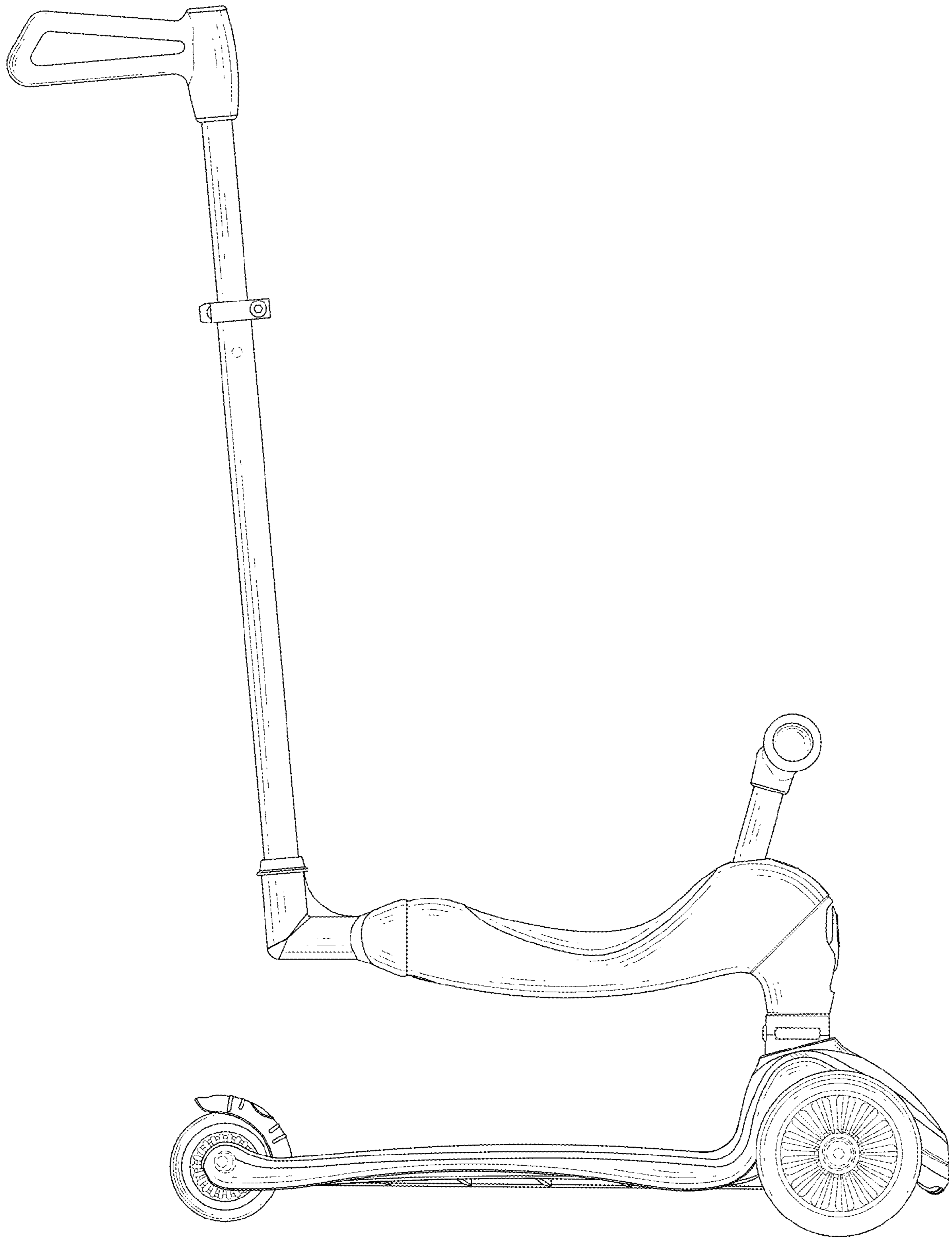


FIG. 5

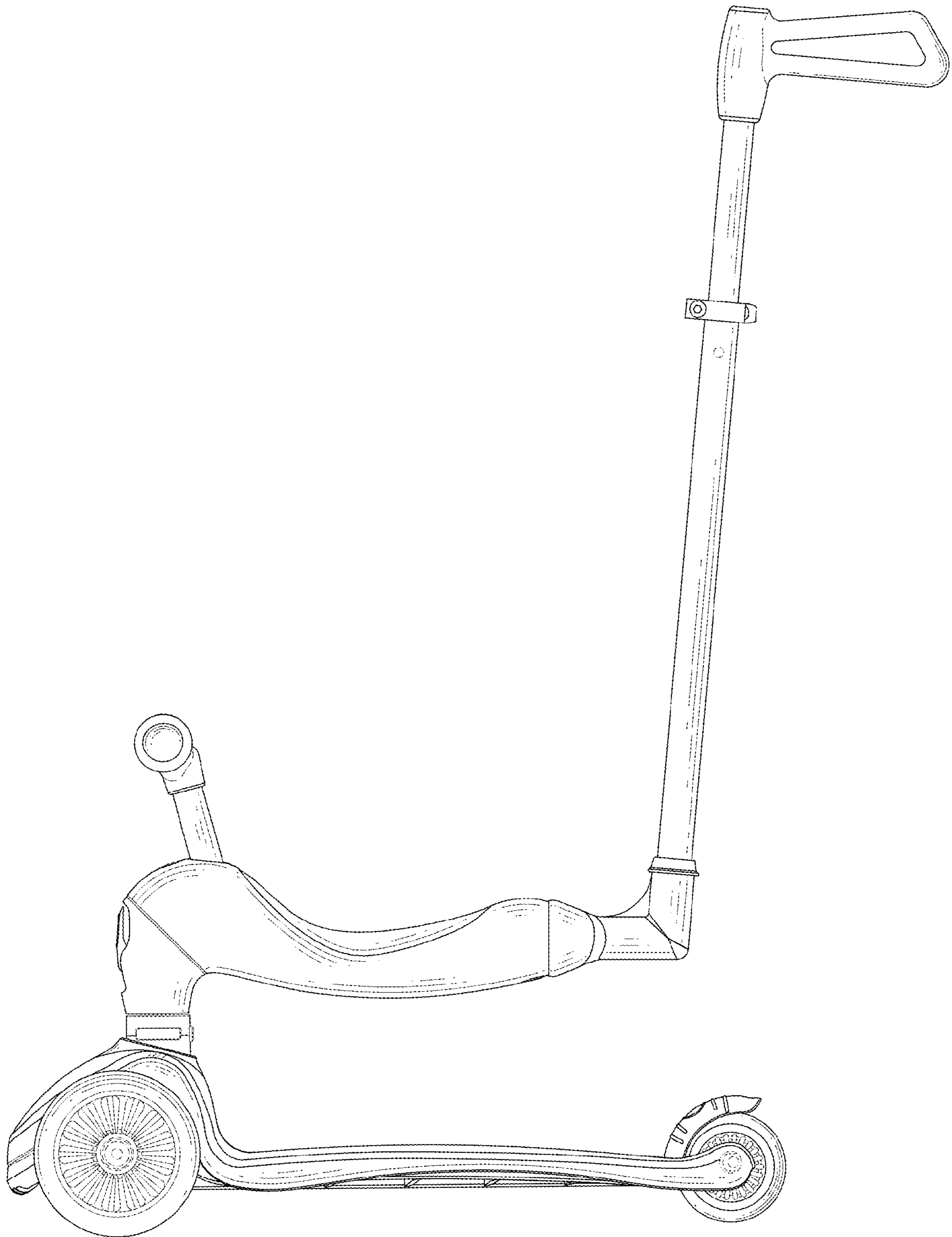


FIG. 6

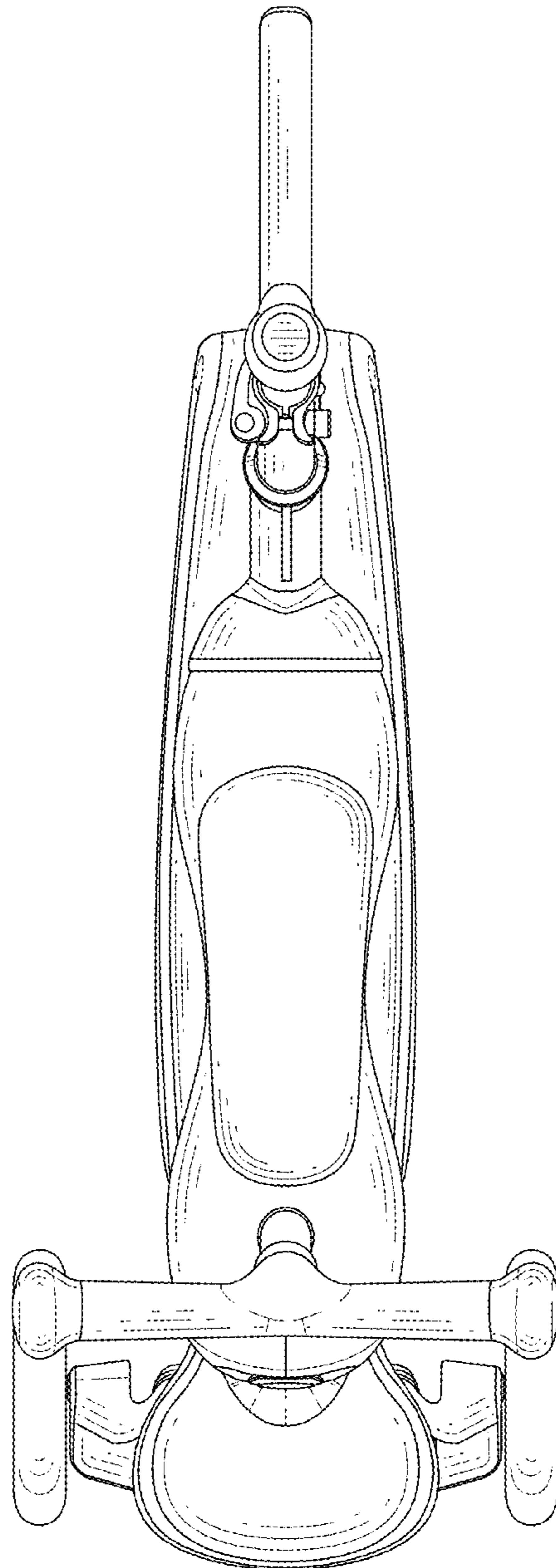


FIG. 7

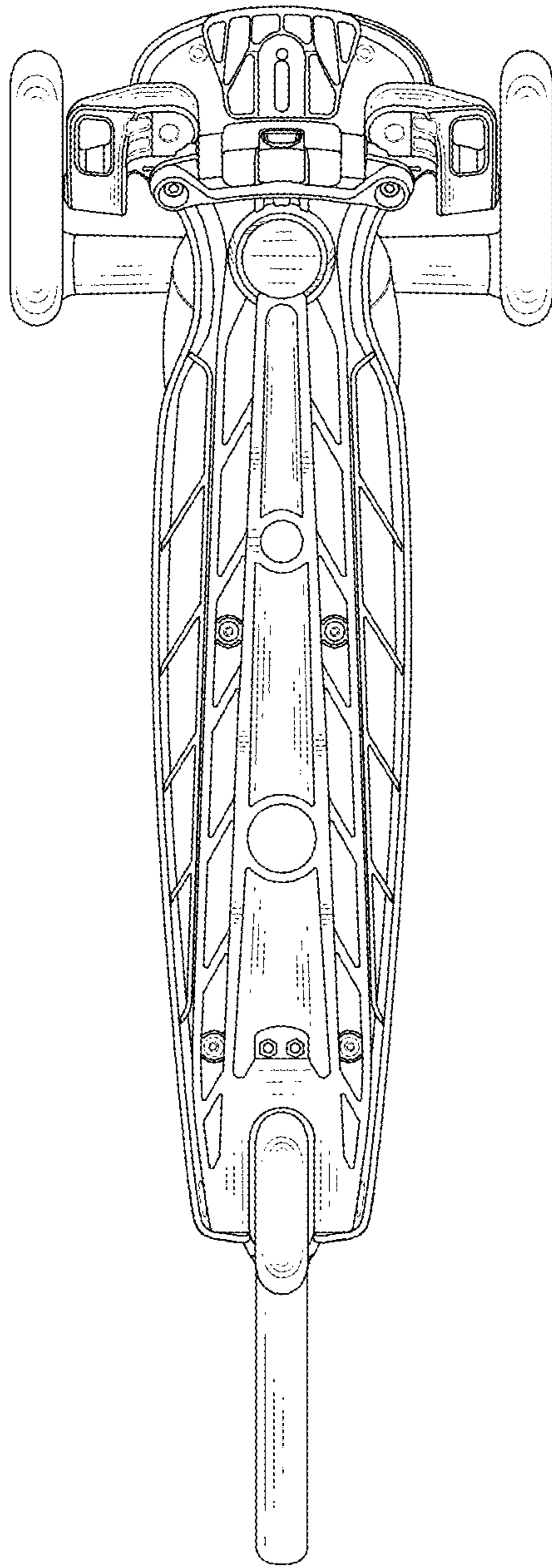


FIG. 8

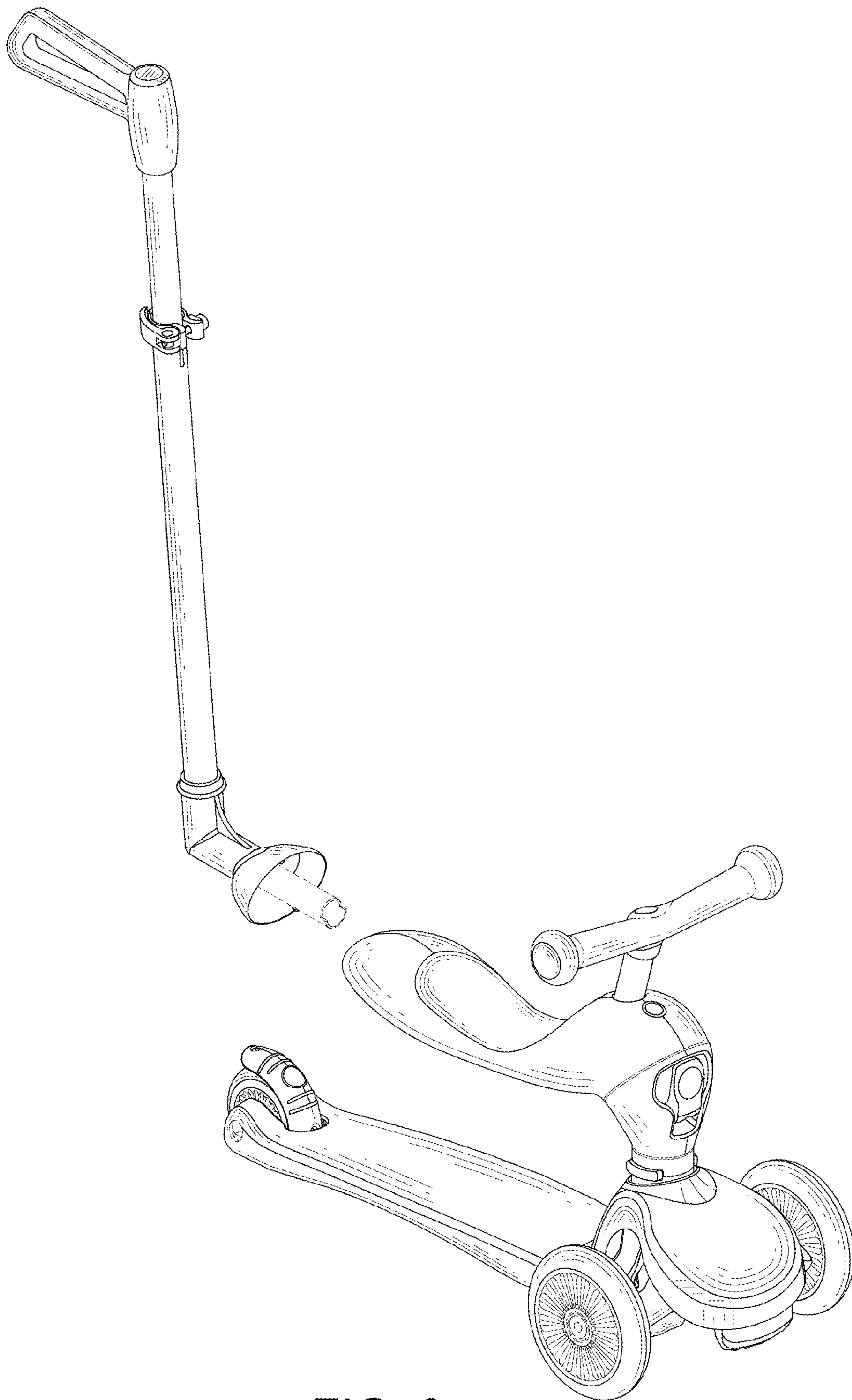


FIG. 9

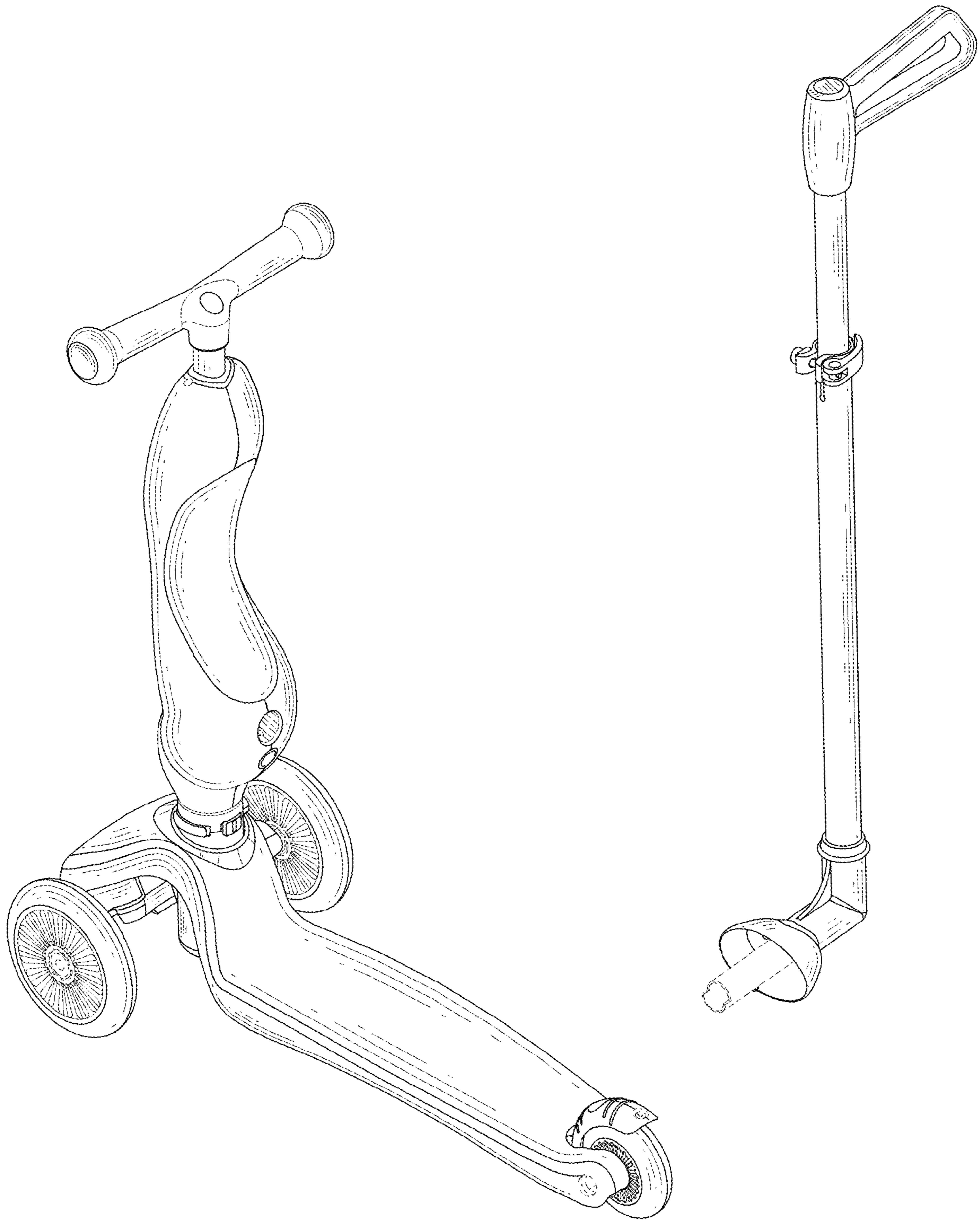


FIG. 10