



US00D885481S

(12) **United States Design Patent**
Tung

(10) **Patent No.:** **US D885,481 S**

(45) **Date of Patent:** **** May 26, 2020**

(54) **CLIP HOLDER**

(71) Applicant: **Philip Morris Products S.A.**,
Neuchatel (CH)

(72) Inventor: **Jeffrey Tung**, San Francisco, CA (US)

(73) Assignee: **Philip Morris Products S.A.**,
Neuchatel (CH)

(**) Term: **15 Years**

(21) Appl. No.: **29/669,494**

(22) Filed: **Nov. 8, 2018**

(30) **Foreign Application Priority Data**

May 9, 2018 (EM) 005262797-0001

(51) **LOC (12) Cl.** **19-02**

(52) **U.S. Cl.**
USPC **D19/75**

(58) **Field of Classification Search**

USPC D19/75-92, 99, 135; D3/206, 304, 306,
D3/310, 315; D6/675.5, 683, 683.1;
D7/631, 637-641; D9/427, 432, 611;
D14/253

CPC .. B43M 99/00; B43M 99/001; B43M 99/003;
B43M 99/006; B43M 99/007; B43M
99/008; B43M 99/009; B42D 3/12; B42D
3/16; B42D 3/18; B43K 23/001; B43K
23/002; A47B 55/00; A47B 63/00

See application file for complete search history.

(56) **References Cited**

U.S. PATENT DOCUMENTS

D249,353 S * 9/1978 Juergens D19/90
D279,630 S * 7/1985 Bart D19/91
D416,385 S * 11/1999 Salazar D3/215
D442,076 S * 5/2001 Swanson D8/373

D453,155 S * 1/2002 Michel D14/253
D516,562 S * 3/2006 Solomon D14/434
D546,889 S * 7/2007 Bhavnani D19/91
D551,716 S * 9/2007 Diller D19/91
D572,311 S * 7/2008 Curless D19/91
D586,523 S * 2/2009 Burns D34/27
D590,404 S * 4/2009 Kim D14/447
D638,284 S * 5/2011 Craft D8/373
8,061,721 B2 * 11/2011 Ganz B62B 3/10
280/202
D663,726 S * 7/2012 Gourley D14/251
D688,202 S * 8/2013 Mecca D13/108
D688,670 S * 8/2013 Huang D14/447
D689,045 S * 9/2013 Mardas D14/253
D699,097 S * 2/2014 Chung D8/354
D713,838 S * 9/2014 Andre D14/253
D722,963 S * 2/2015 Au-Yeung D13/108
D742,728 S * 11/2015 Ostler D8/373
D743,955 S * 11/2015 Wu D14/253
D767,575 S * 9/2016 Green D14/447
D771,616 S * 11/2016 Bo D14/253

(Continued)

Primary Examiner — Elizabeth A. Albert

(74) *Attorney, Agent, or Firm* — Oblon, McClelland,
Maier & Neustadt, L.L.P.

(57)

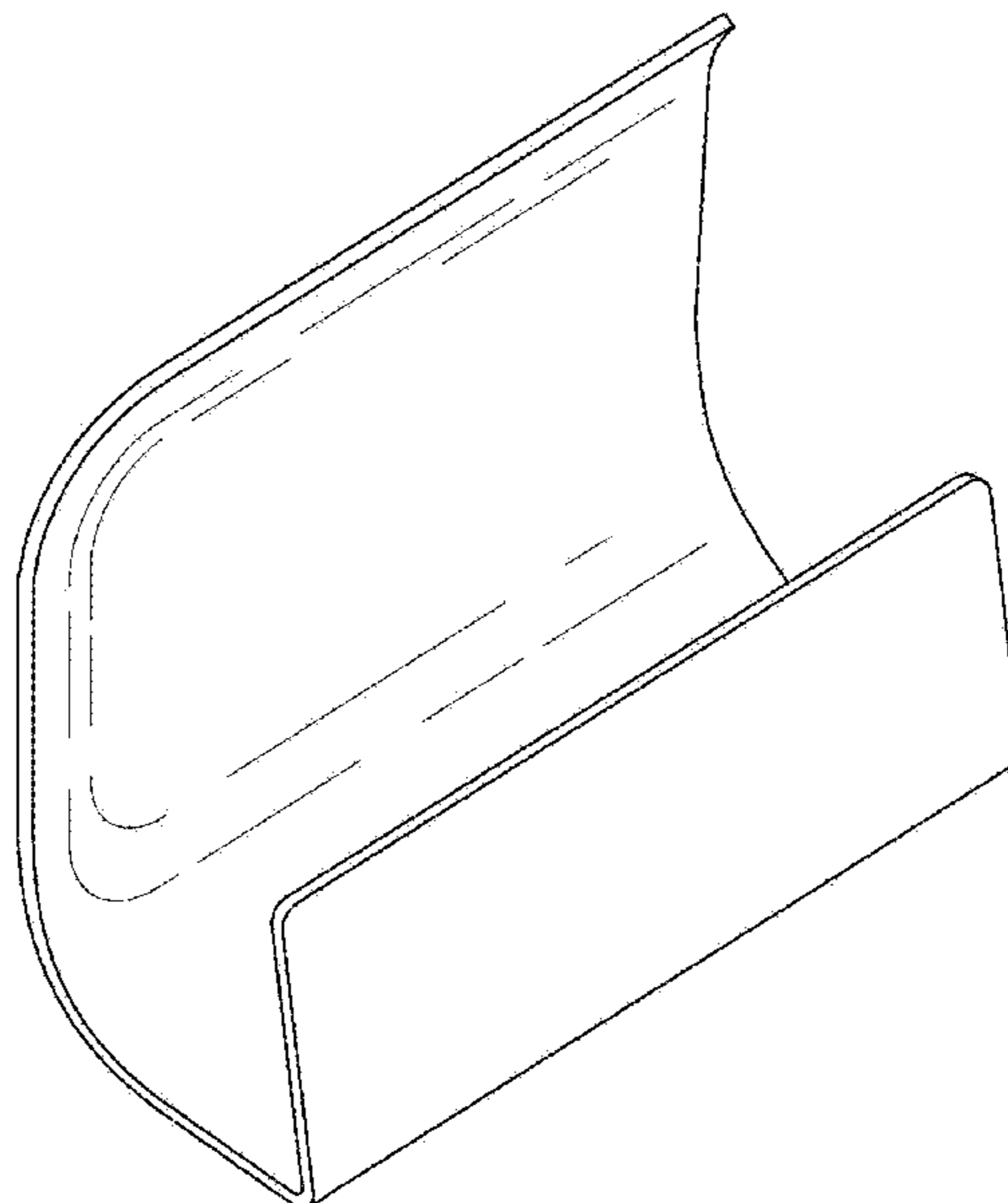
CLAIM

The ornamental design for a clip holder, as shown and described.

DESCRIPTION

FIG. 1 is a front, top and left side perspective view of a clip holder showing my new design;
FIG. 2 is a left side elevational view thereof;
FIG. 3 is a right side elevational view thereof;
FIG. 4 is a rear elevational view thereof;
FIG. 5 is a front elevational view thereof;
FIG. 6 is a top plan view thereof;
FIG. 7 is a bottom plan view thereof; and,
FIG. 8 is a rear, top, and left side perspective view thereof.

1 Claim, 8 Drawing Sheets



(56)

References Cited

U.S. PATENT DOCUMENTS

D809,905 S * 2/2018 Gunderson D8/371
D819,427 S * 6/2018 Mercaldi D8/354
D857,610 S * 8/2019 Meldrum D12/415
D872,567 S * 1/2020 Bond D8/373

* cited by examiner

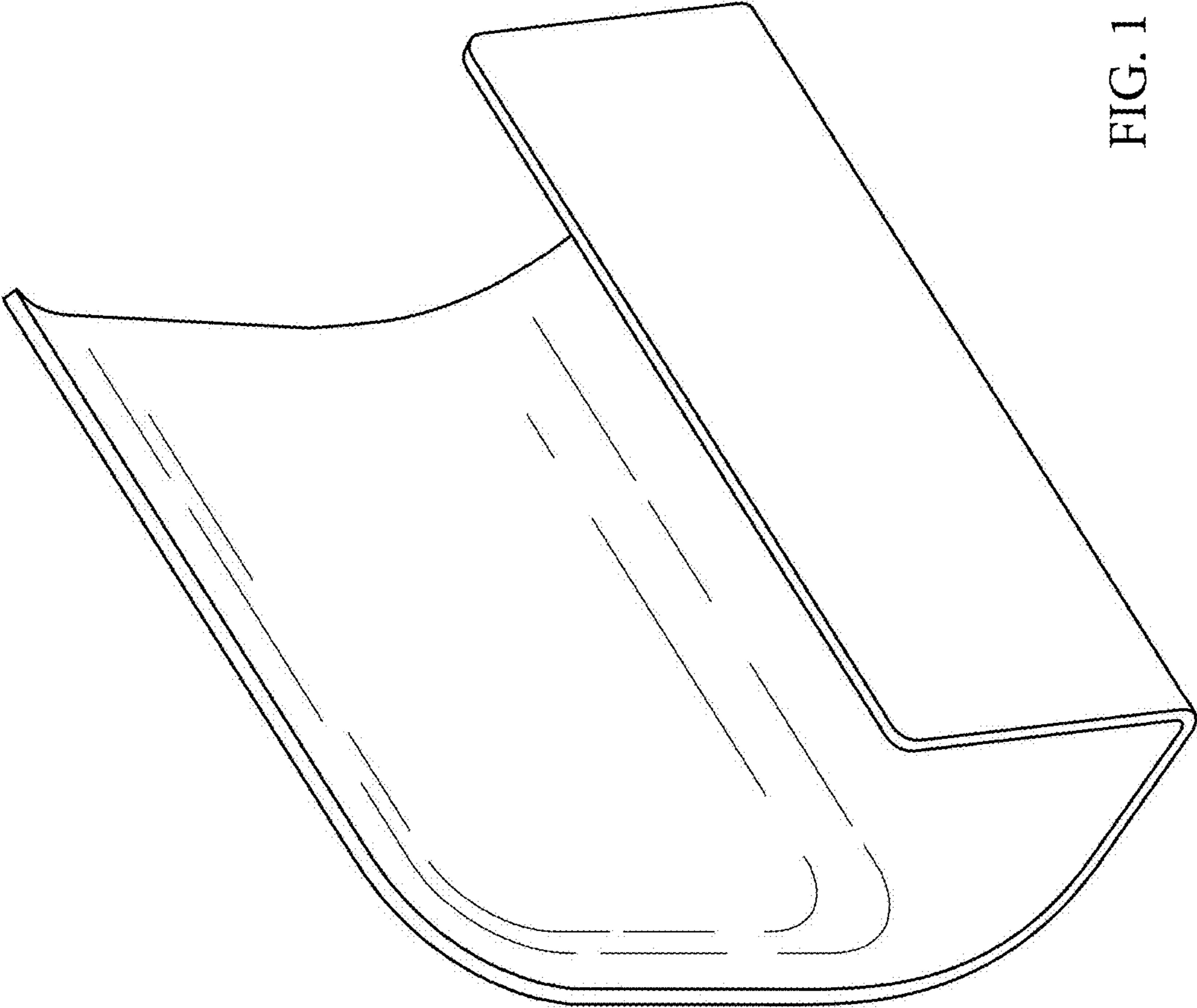


FIG. 1

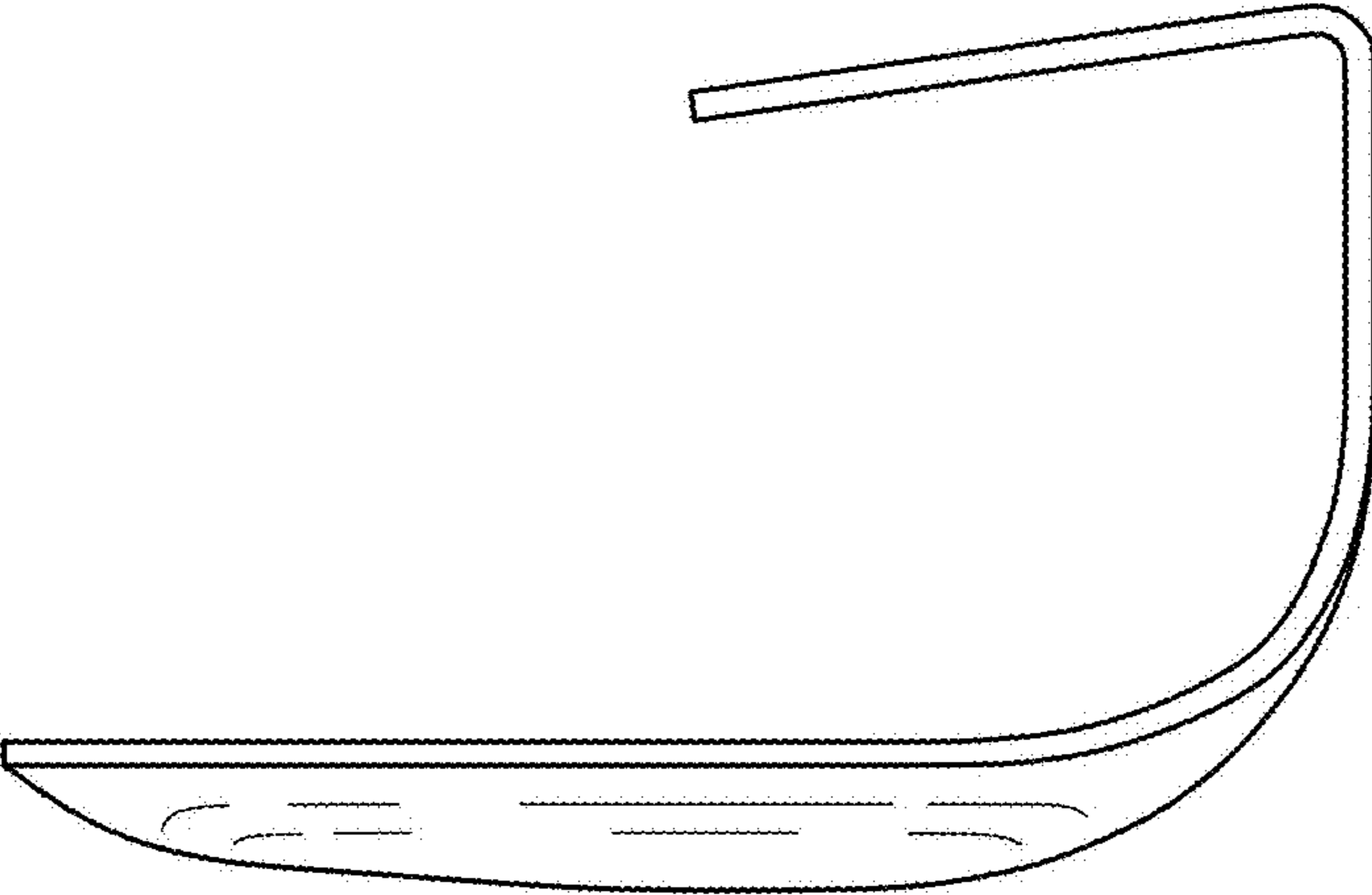


FIG. 2

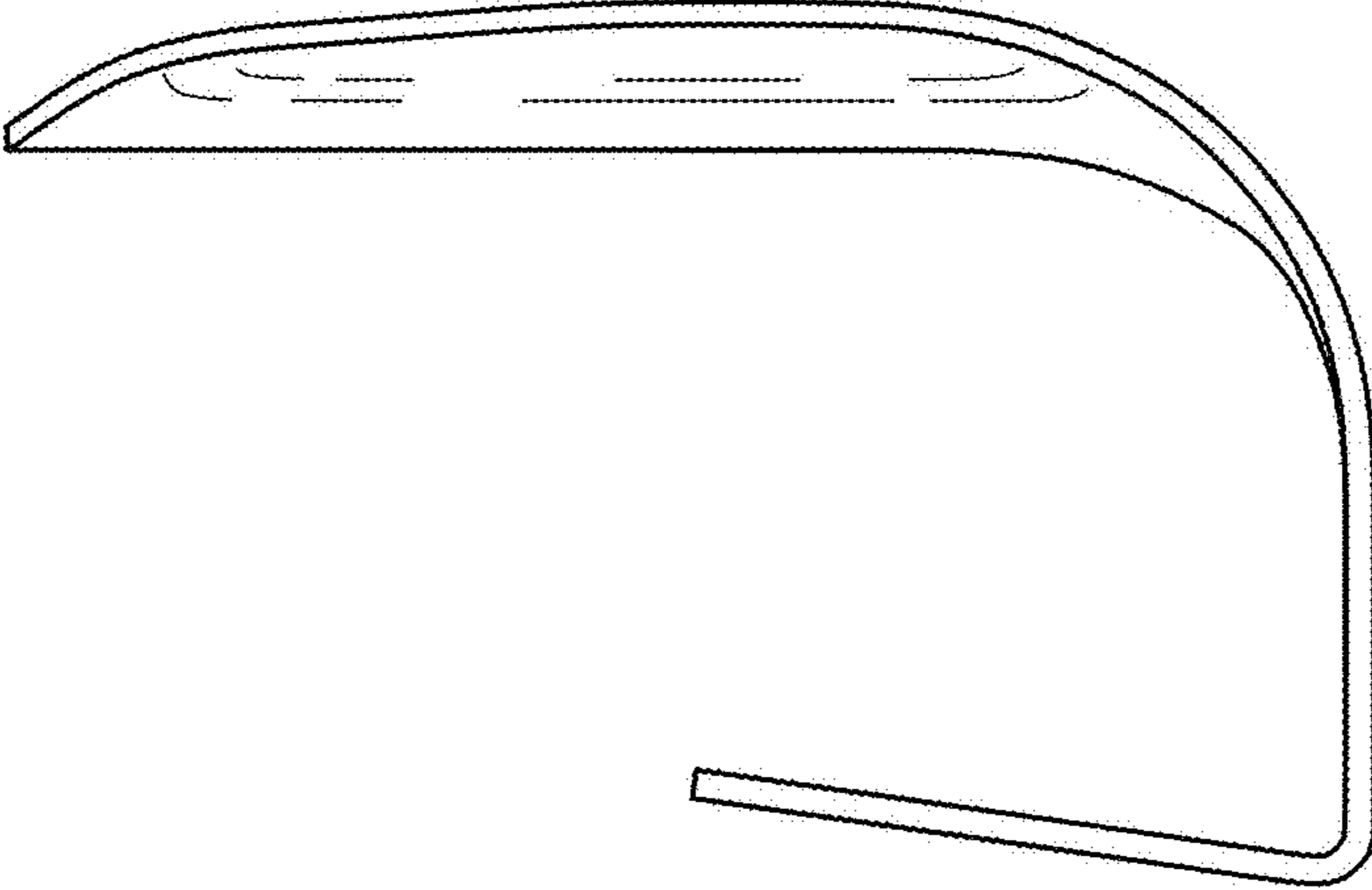


FIG. 3

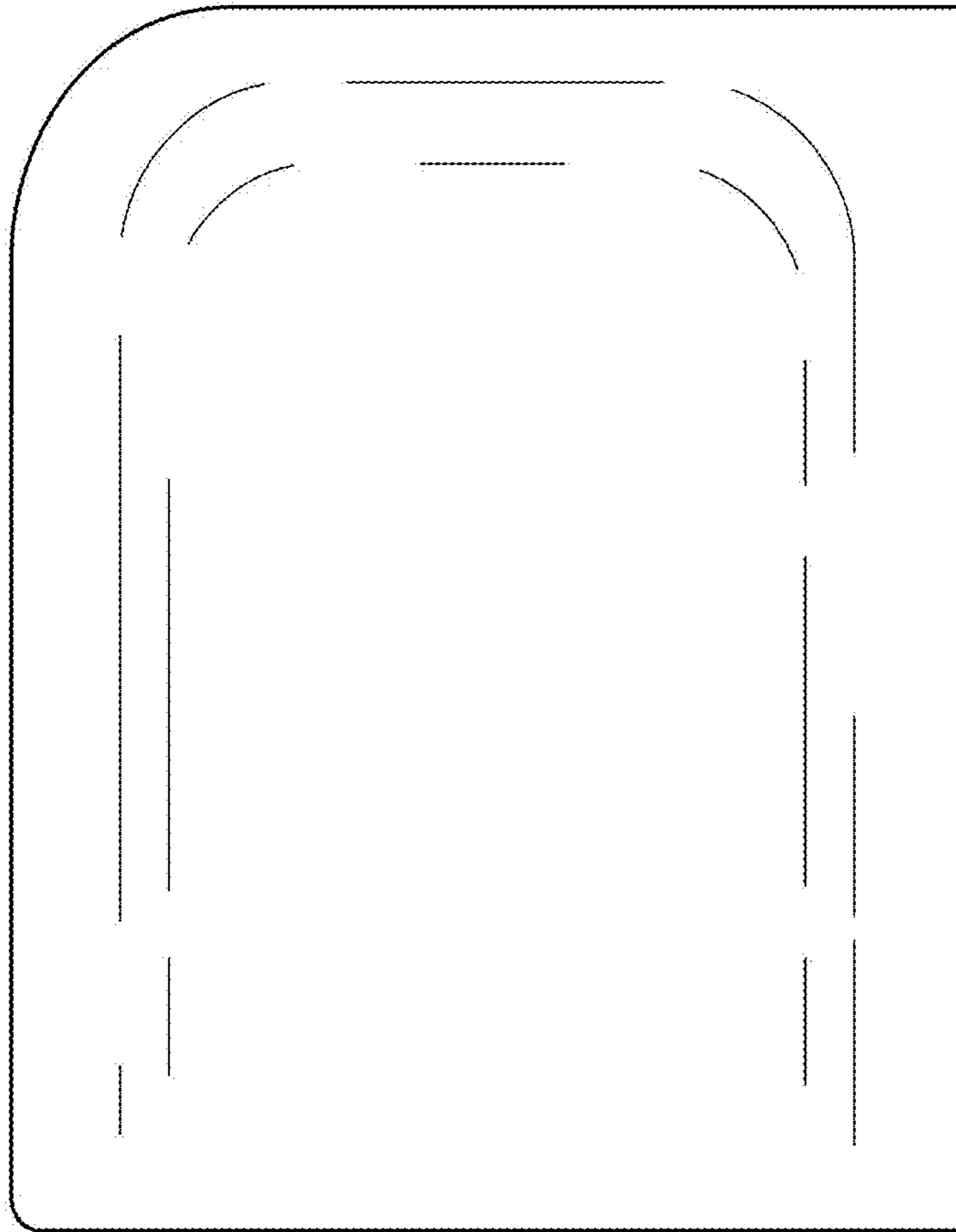


FIG. 4

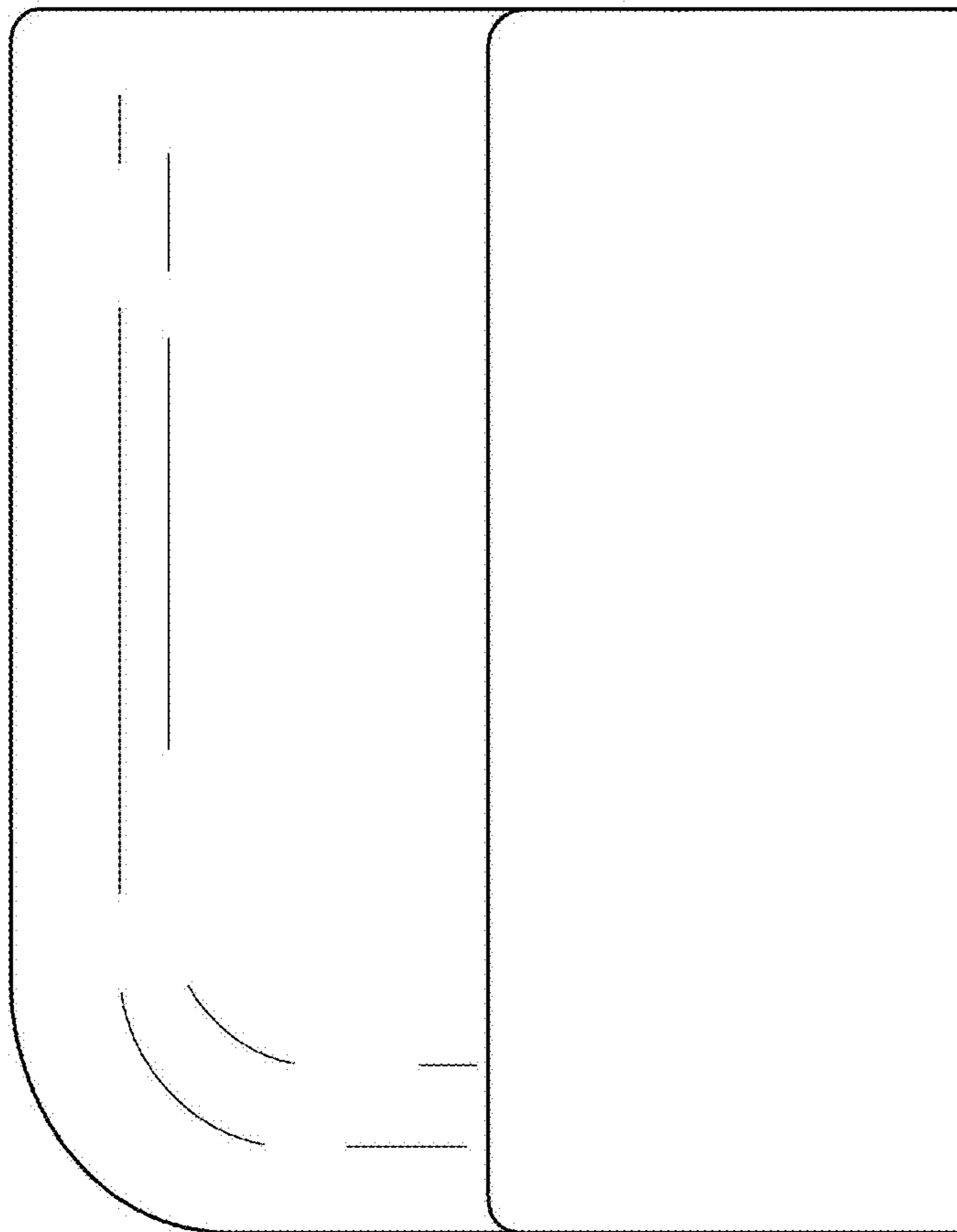


FIG. 5

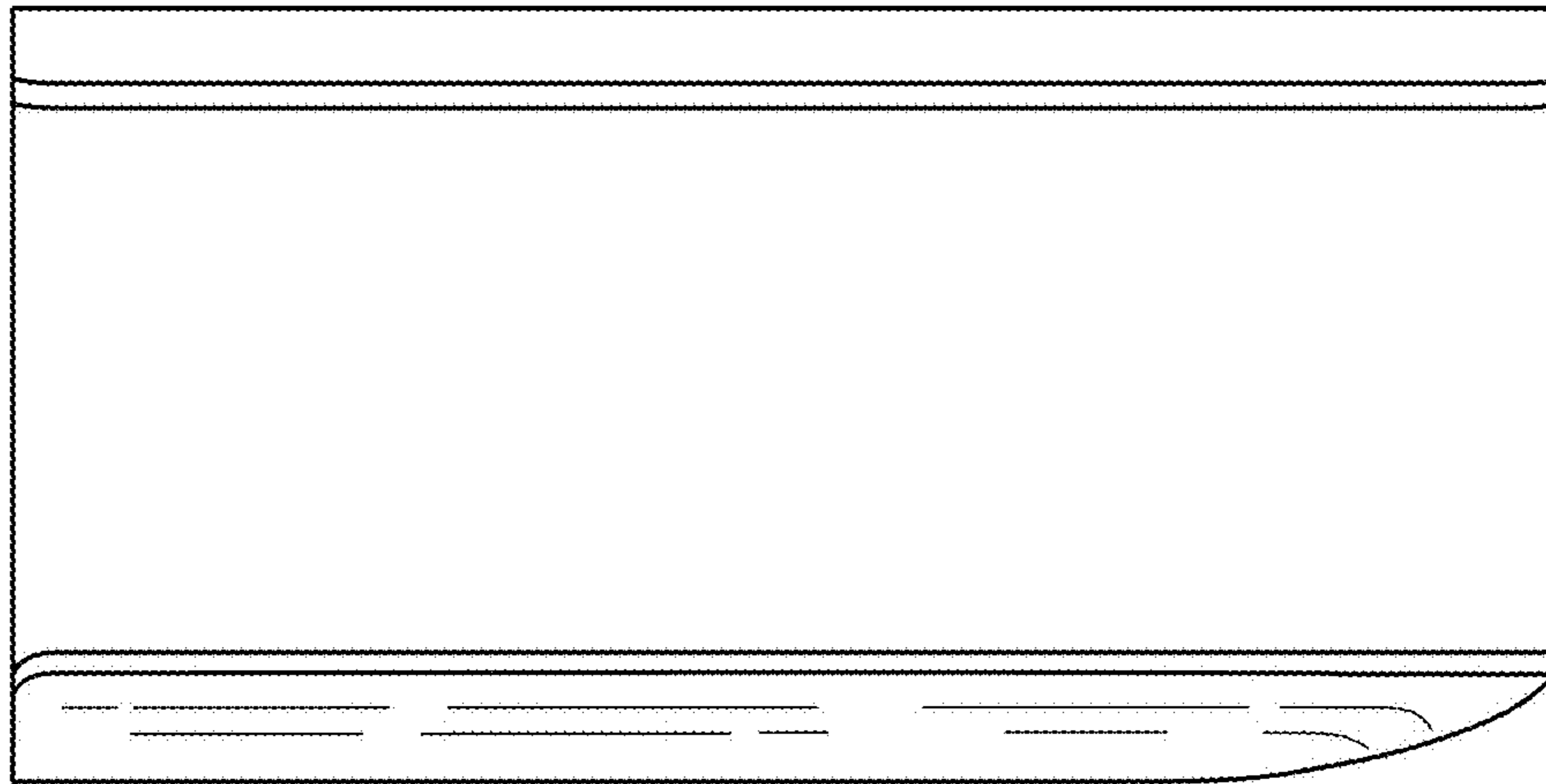


FIG. 6



FIG. 7

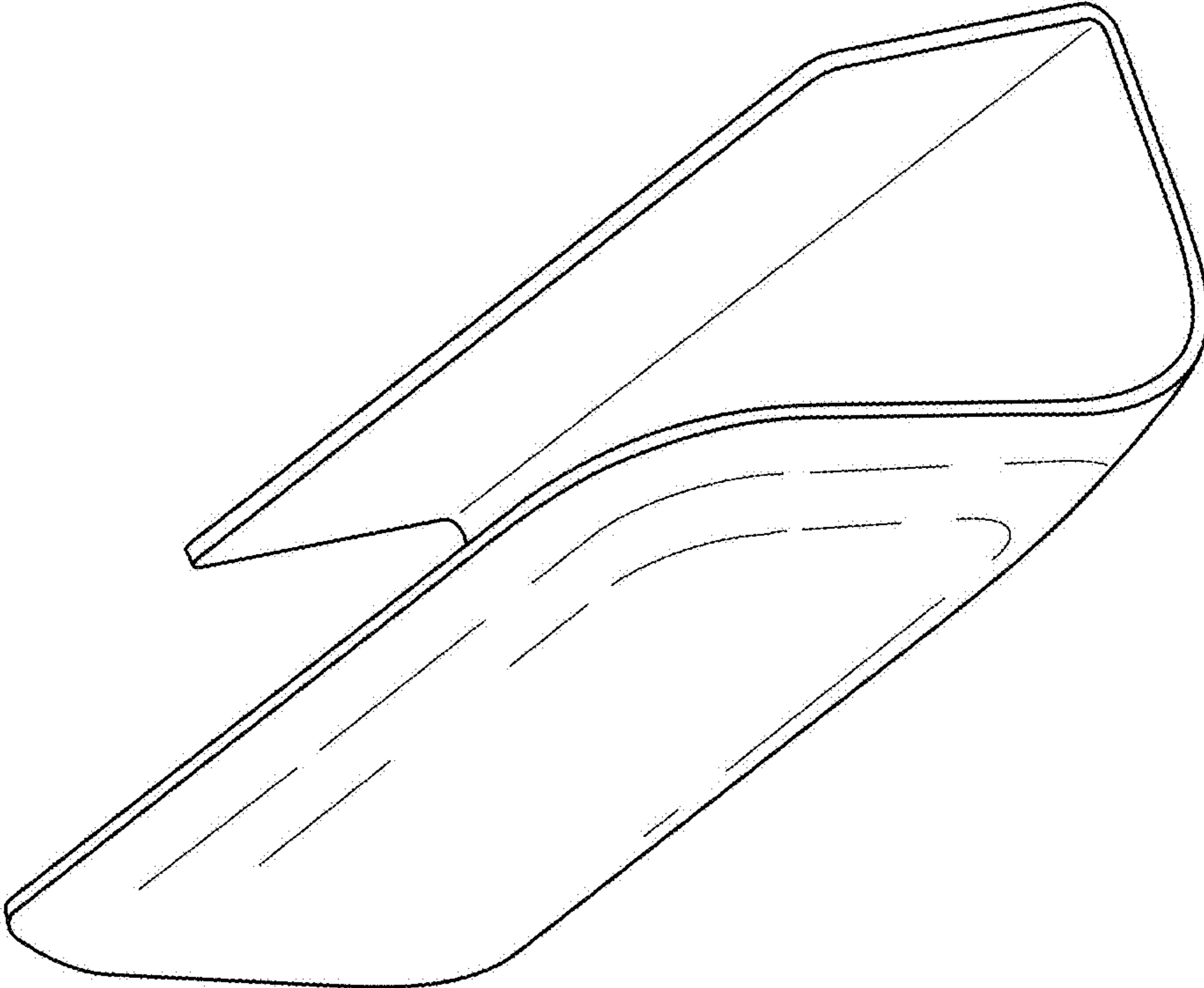


FIG.8