

(56)

References Cited

U.S. PATENT DOCUMENTS

D483,248 S * 12/2003 Roman B65H 75/40
D8/359
D503,040 S * 3/2005 Elliott D3/238
D579,041 S * 10/2008 Nakao D17/22
D582,754 S * 12/2008 Stein D8/358
D597,589 S 8/2009 Onishi
D654,778 S * 2/2012 Hines D8/356
D741,149 S 10/2015 Koop et al.
D763,953 S 8/2016 Kenkman
2010/0024624 A1* 2/2010 Wachter G10D 13/06
84/422.3
2012/0118130 A1* 5/2012 Field G10D 13/02
84/730
2013/0255471 A1 10/2013 Prefontaine
2015/0098601 A1* 4/2015 Absher H04R 1/345
381/352

OTHER PUBLICATIONS

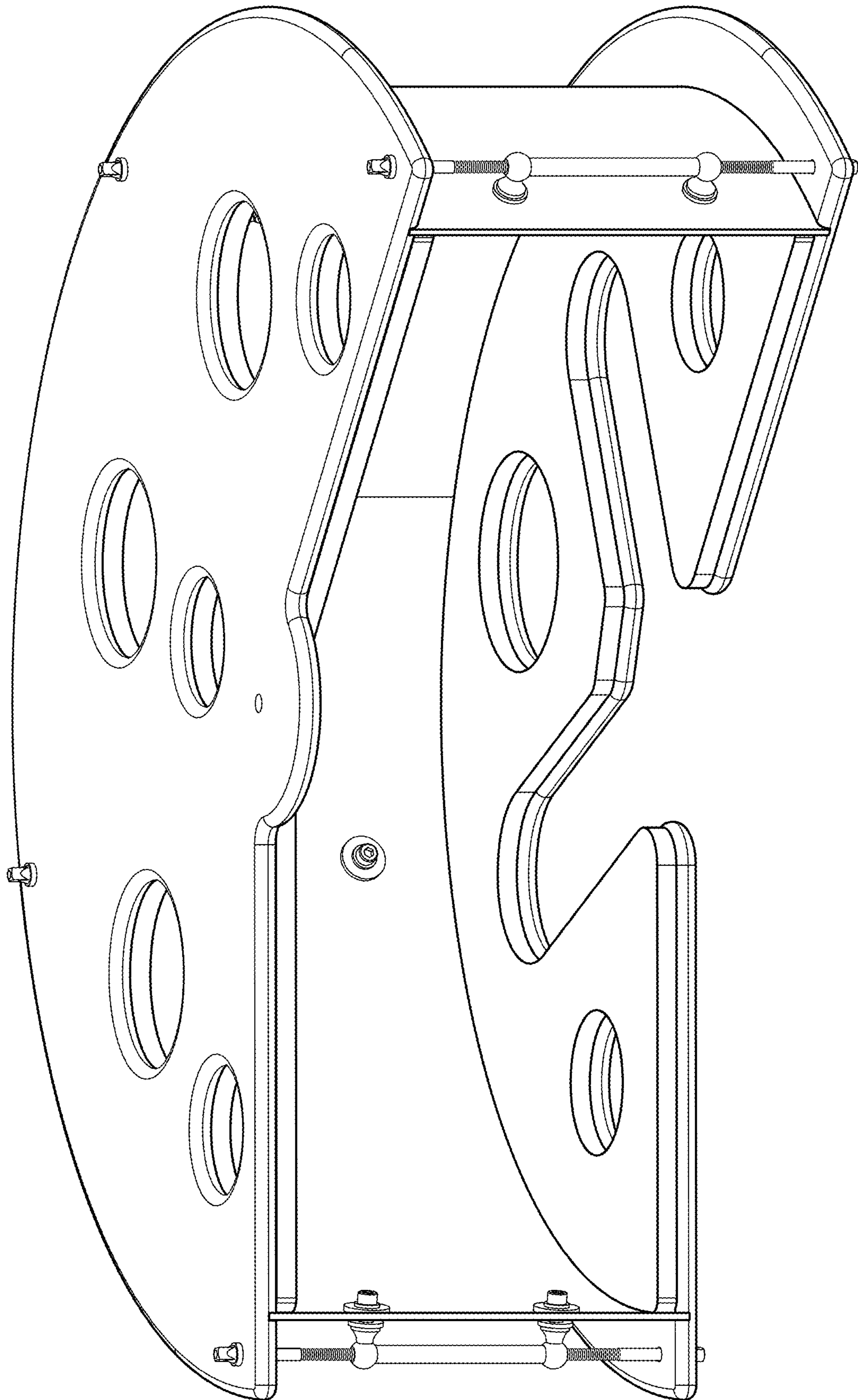
Amazon, Drum Shield, posted Jul. 31, 2010, [online], [visited Apr. 3, 2020]. Internet, <URL:https://www.amazon.com/Shield-DS4-Panels-Chrome-Hinges/dp/B003XZ40AU> (Year: 2010).*

Amazon, RockSolid Drum practice Pad, posted Feb. 1, 2012, [online], [visited Jun. 28, 2019]. Internet, URL: https://www.amazon.co.uk/Drum-Kit-Silencer-Practice-Pads/dp/B0074A9O4W/ref=olp_product_details?_encoding=UTF8&me= (Year: 2012).

Youtube, The Cymbal Shield promo, posted Mar. 27, 2017, [online], [visited Jun. 28, 2019]. Internet, URL: https://www.youtube.com/watch?v=80ZeTjQAEYI (Year: 2017).

* cited by examiner

FIG. 1



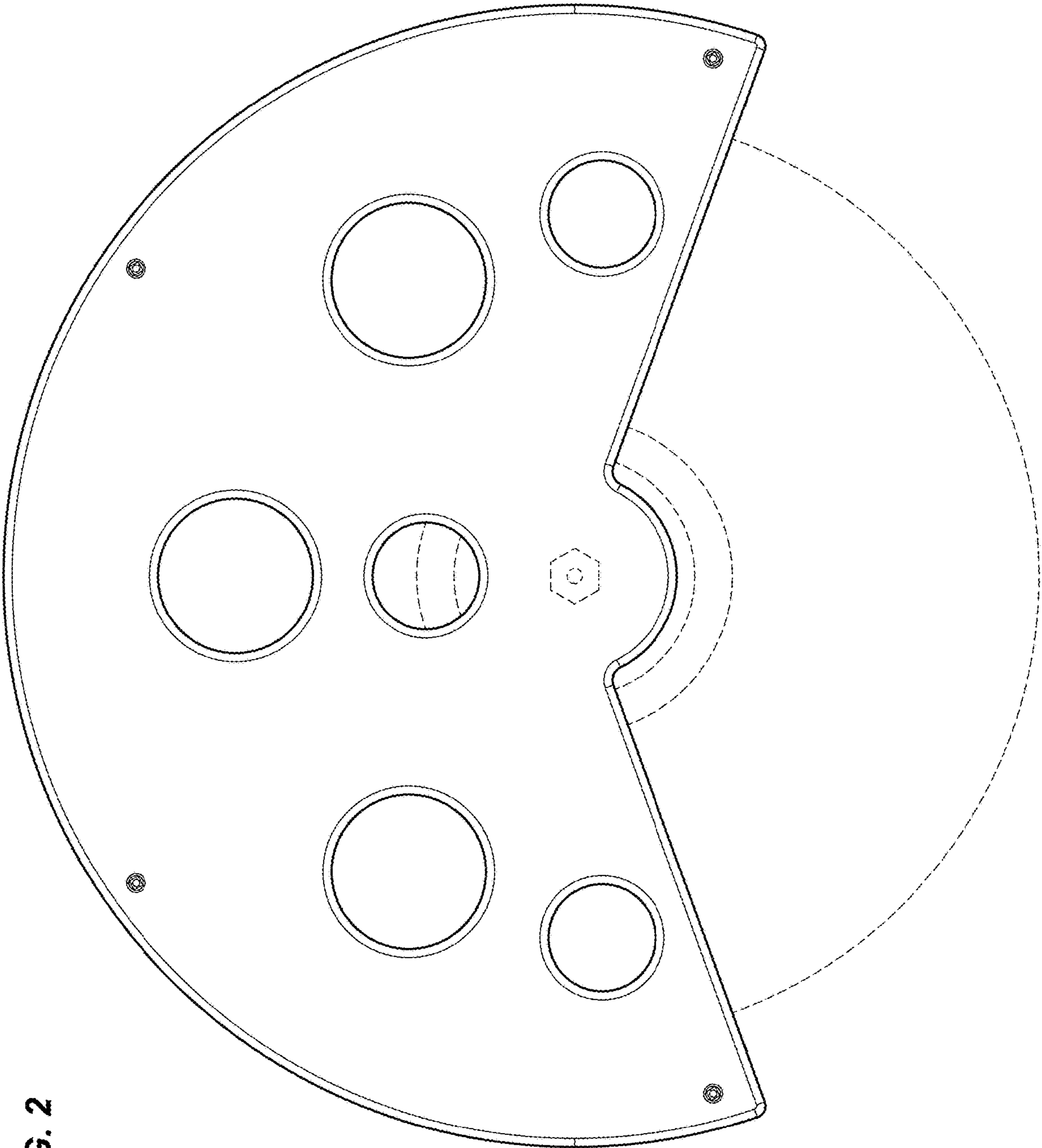


FIG. 2

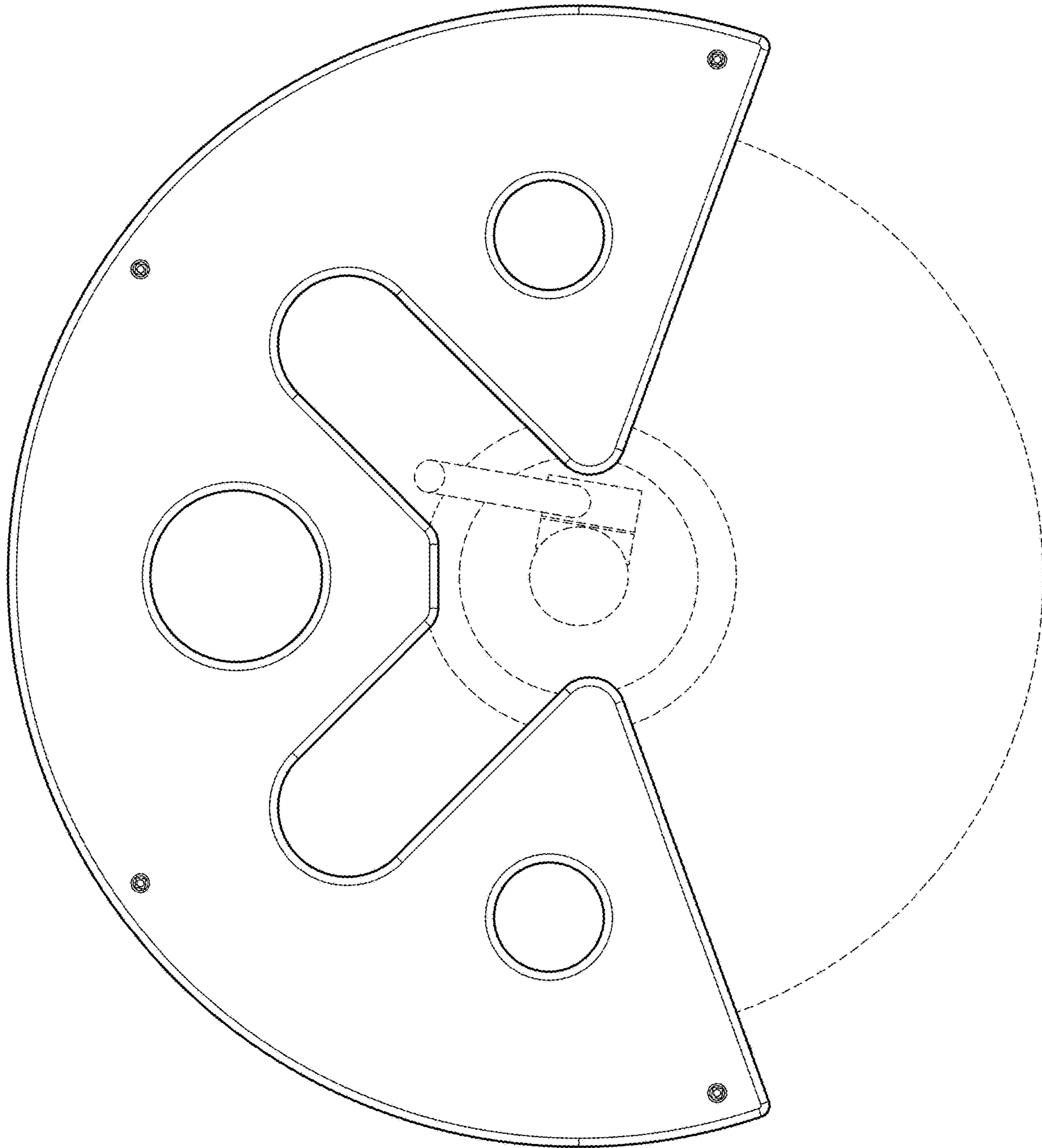


FIG. 3

FIG. 4

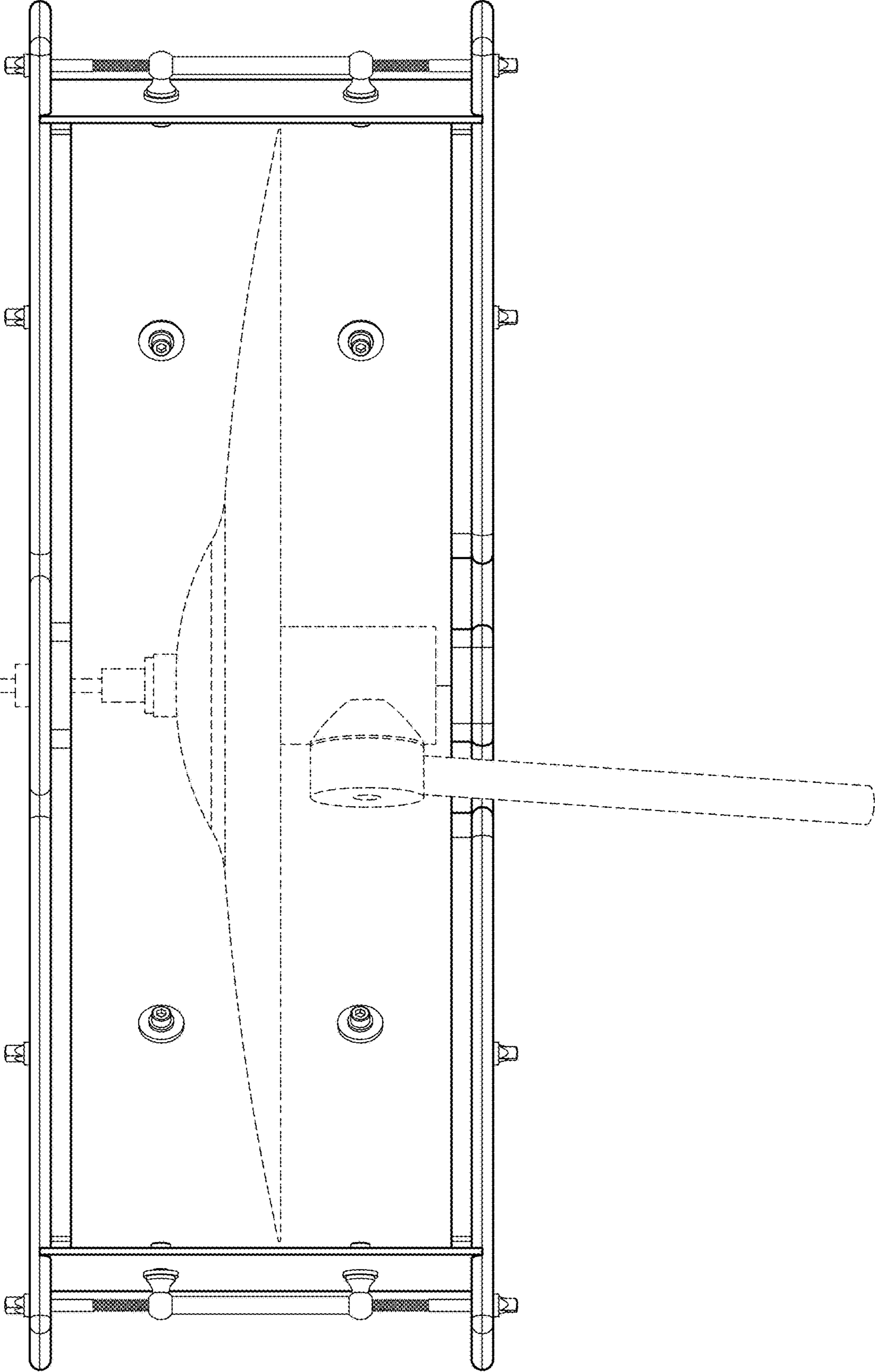


FIG. 5

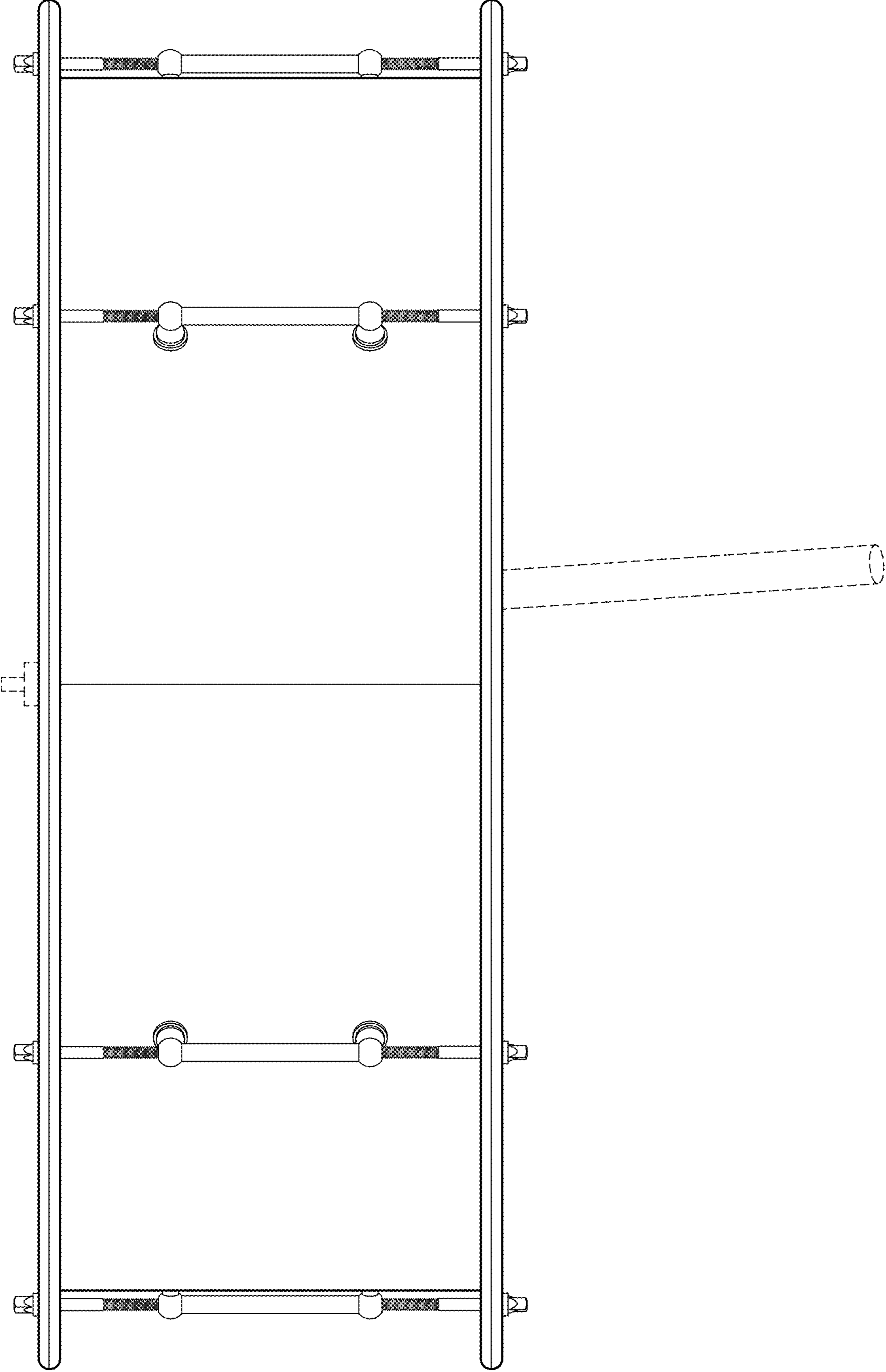


FIG. 6

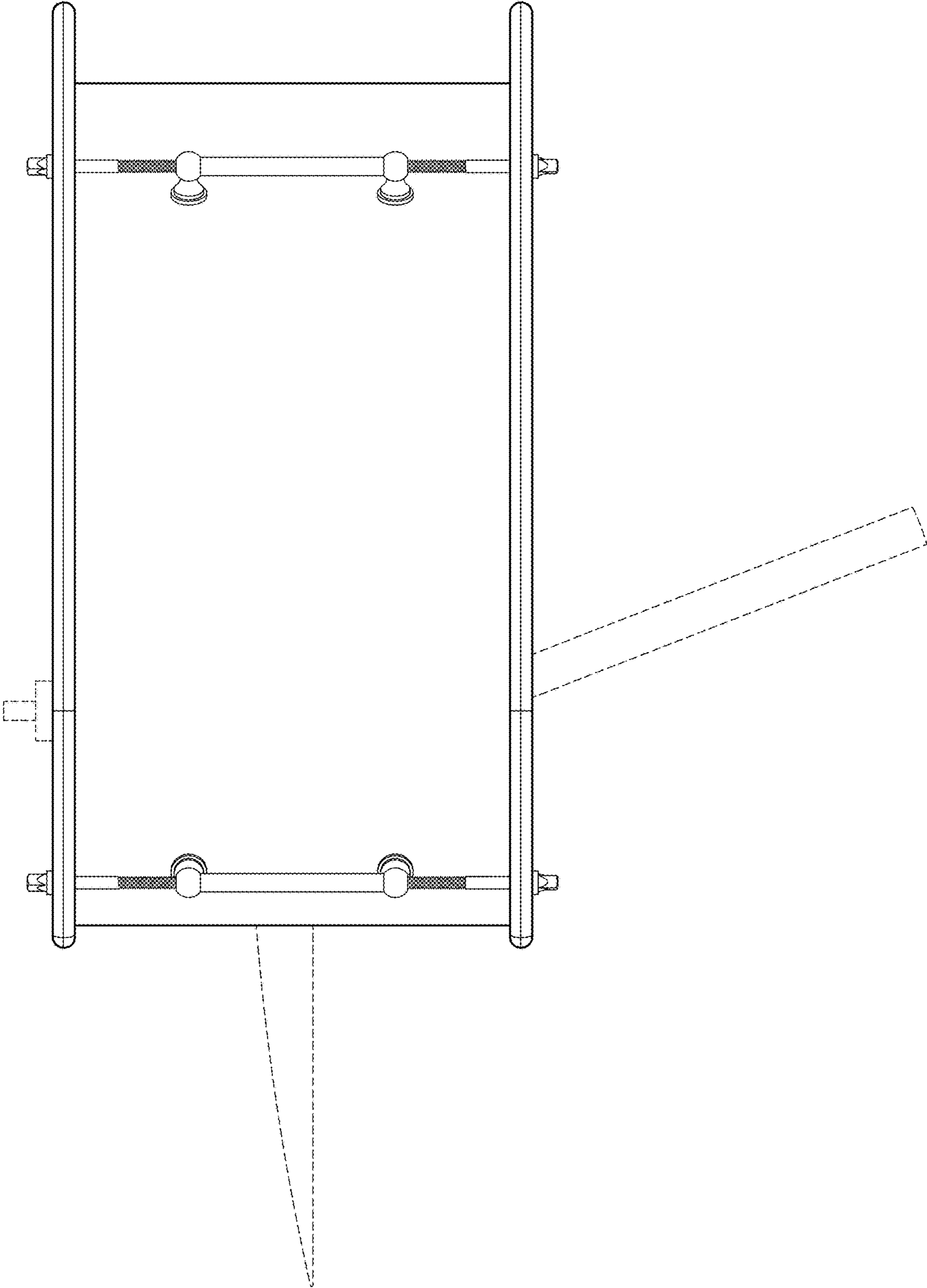


FIG. 7

