



US00D885476S

(12) **United States Design Patent**  
**Trombley**

(10) **Patent No.:** **US D885,476 S**

(45) **Date of Patent:** **\*\* May 26, 2020**

(54) **CYMBAL SHIELD**

D339,818 S 9/1993 Peterson  
6,417,434 B1 \* 7/2002 Lao ..... G10D 13/06  
84/422.1

(71) Applicant: **Trombley Industries, LLC**, Castle Rock, CO (US)

D473,053 S 4/2003 Spitler  
(Continued)

(72) Inventor: **Benjamin Trombley**, Castle Rock, CO (US)

**FOREIGN PATENT DOCUMENTS**

(73) Assignee: **Trombley Industries, LLC**, Castle Rock, CO (US)

JP H02187792 A 7/1990  
WO 2010/044651 A2 4/2010

(\*\*) Term: **15 Years**

**OTHER PUBLICATIONS**

(21) Appl. No.: **29/706,299**

Going to 11, Revisiting the Shield, posted Jun. 19, 2015, [online], [visited Apr. 3, 2020]. Internet, <URL: <https://www.goingto11.com/revisiting-the-shield/>> (Year: 2015).\*

(22) Filed: **Sep. 19, 2019**

(Continued)

**Related U.S. Application Data**

(62) Division of application No. 29/632,986, filed on Jan. 11, 2018, now Pat. No. Des. 873,906.

*Primary Examiner* — Sheryl Lane

*Assistant Examiner* — Samantha N Wood

(51) **LOC (12) Cl.** ..... **17-04**

(74) *Attorney, Agent, or Firm* — Hall Estill Attorneys at Law; Gordon R. Lindeen, III

(52) **U.S. Cl.**

USPC ..... **D17/22**

(58) **Field of Classification Search**

USPC .... D17/22, 23, 99; D14/204, 217, 221, 222, D14/261, 299, 216, 203.8, 209.1, 167, D14/483; D9/695, 715, 721, 502, 414; D3/273, 234

CPC ..... G10D 13/00; G10D 13/01; G10D 13/06; G10D 13/063; G10D 13/065; G10D 13/10; G10D 13/22

See application file for complete search history.

(57) **CLAIM**

The ornamental design for a cymbal shield, as shown and described.

**DESCRIPTION**

FIG. 1 is a front perspective view of a cymbal shield, shown separately to show aspects of the design that are not visible when in use.

FIG. 2 is a top view of the cymbal shield in use condition.

FIG. 3 is a bottom view thereof.

FIG. 4 is a front view thereof.

FIG. 5 is a rear view thereof.

FIG. 6 is a right side view thereof; and,

FIG. 7 is a left side view thereof.

The broken lines showing portions of the hi-hat cymbal and portions of the stand are included for the purpose of depicting the environmental structure and form no part of the claimed design.

(56) **References Cited**

**U.S. PATENT DOCUMENTS**

D86,705 S 4/1932 Dopyera  
D216,441 S 1/1970 Ross  
D260,325 S \* 8/1981 Davis ..... D3/234  
D268,311 S \* 3/1983 De Persia ..... D3/272

**1 Claim, 7 Drawing Sheets**

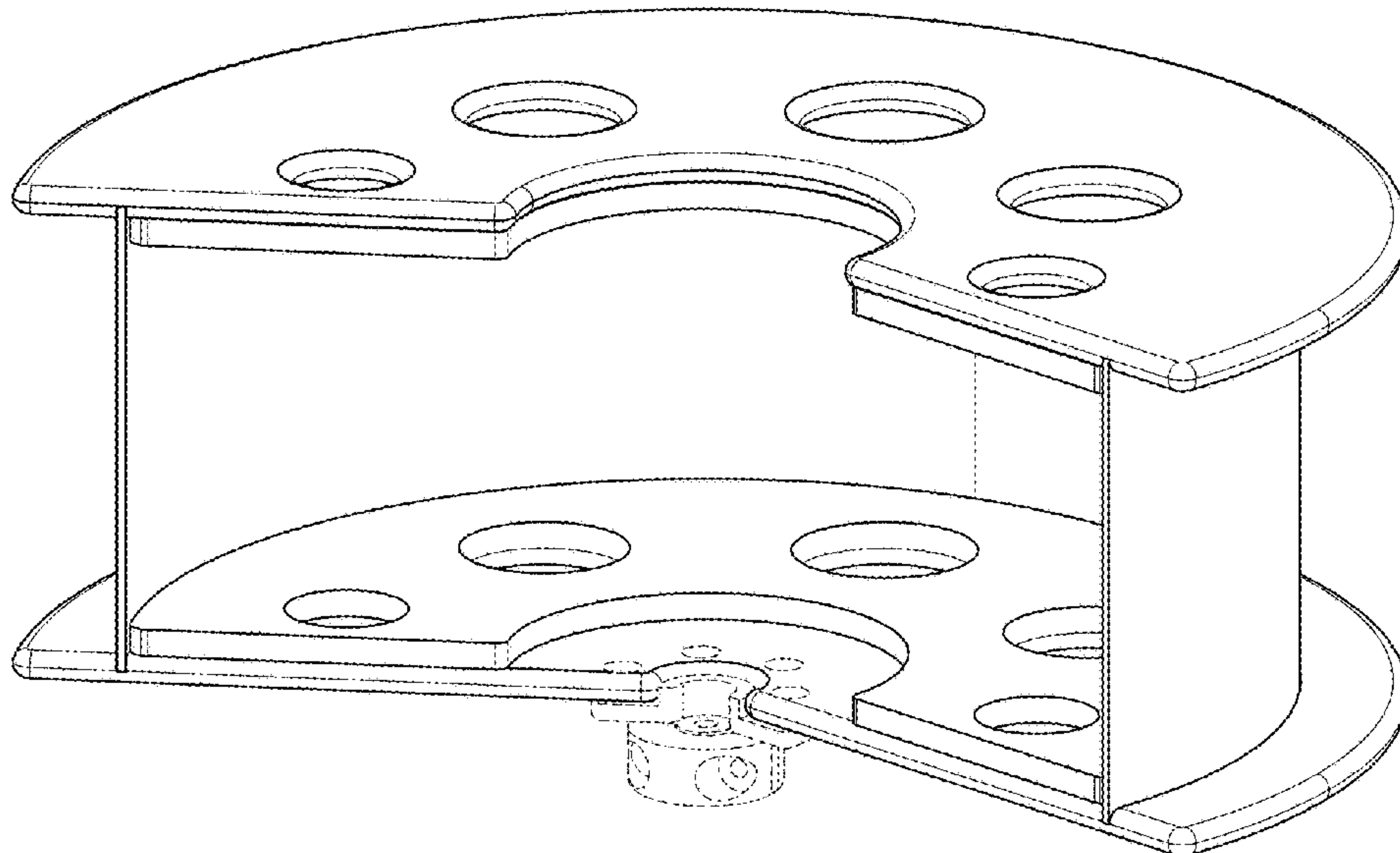
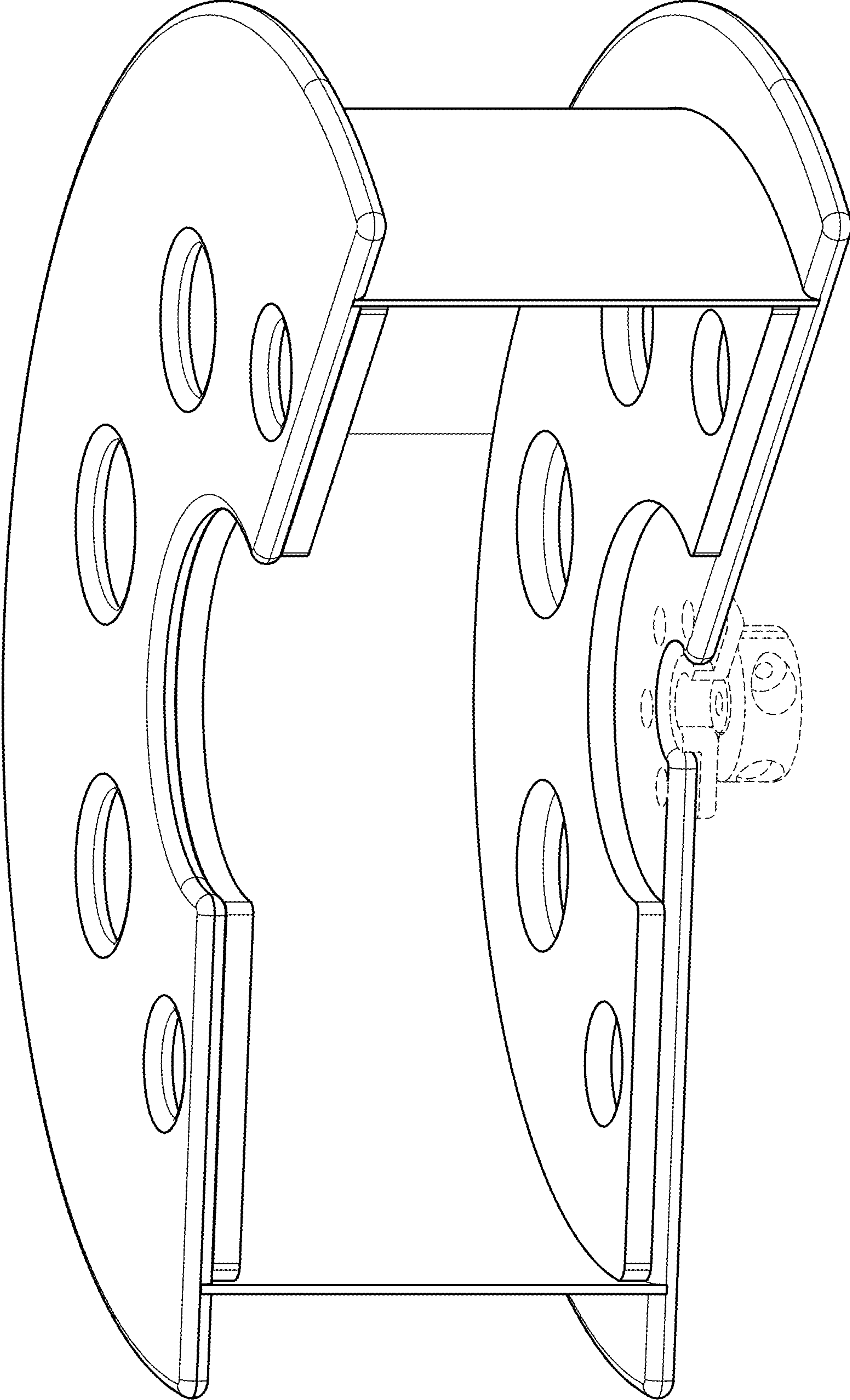




FIG. 1



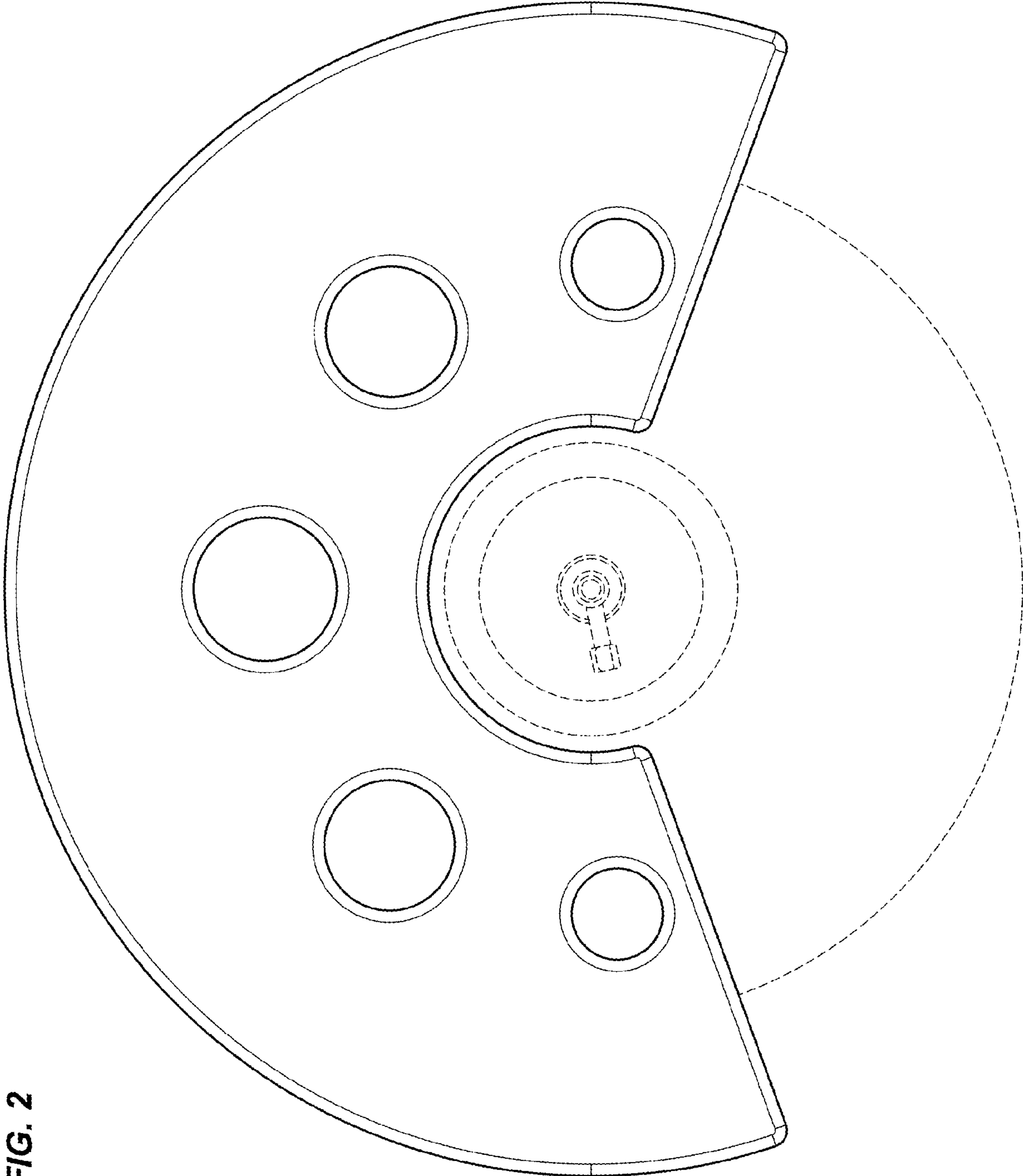


FIG. 2



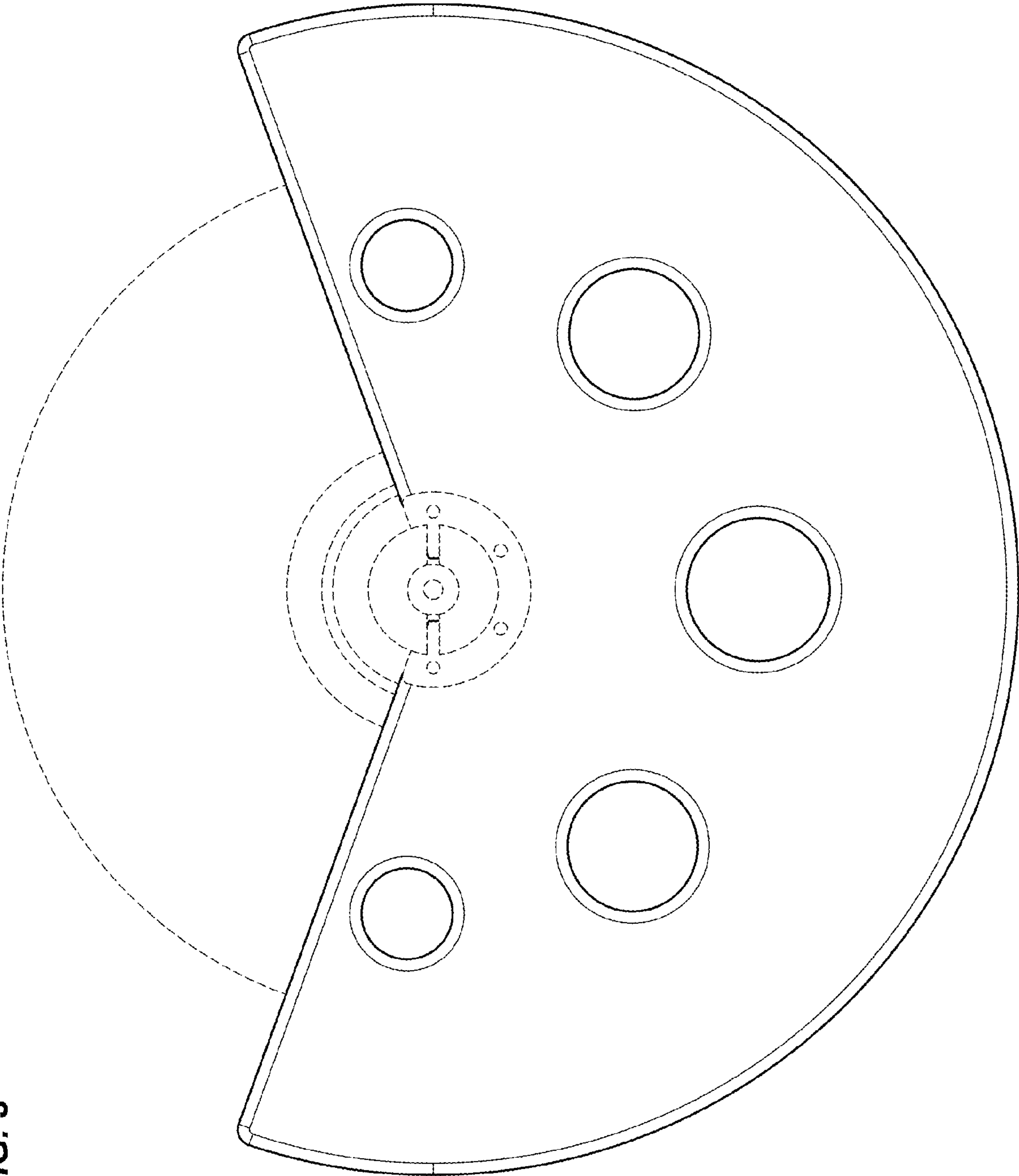


FIG. 3

FIG. 4

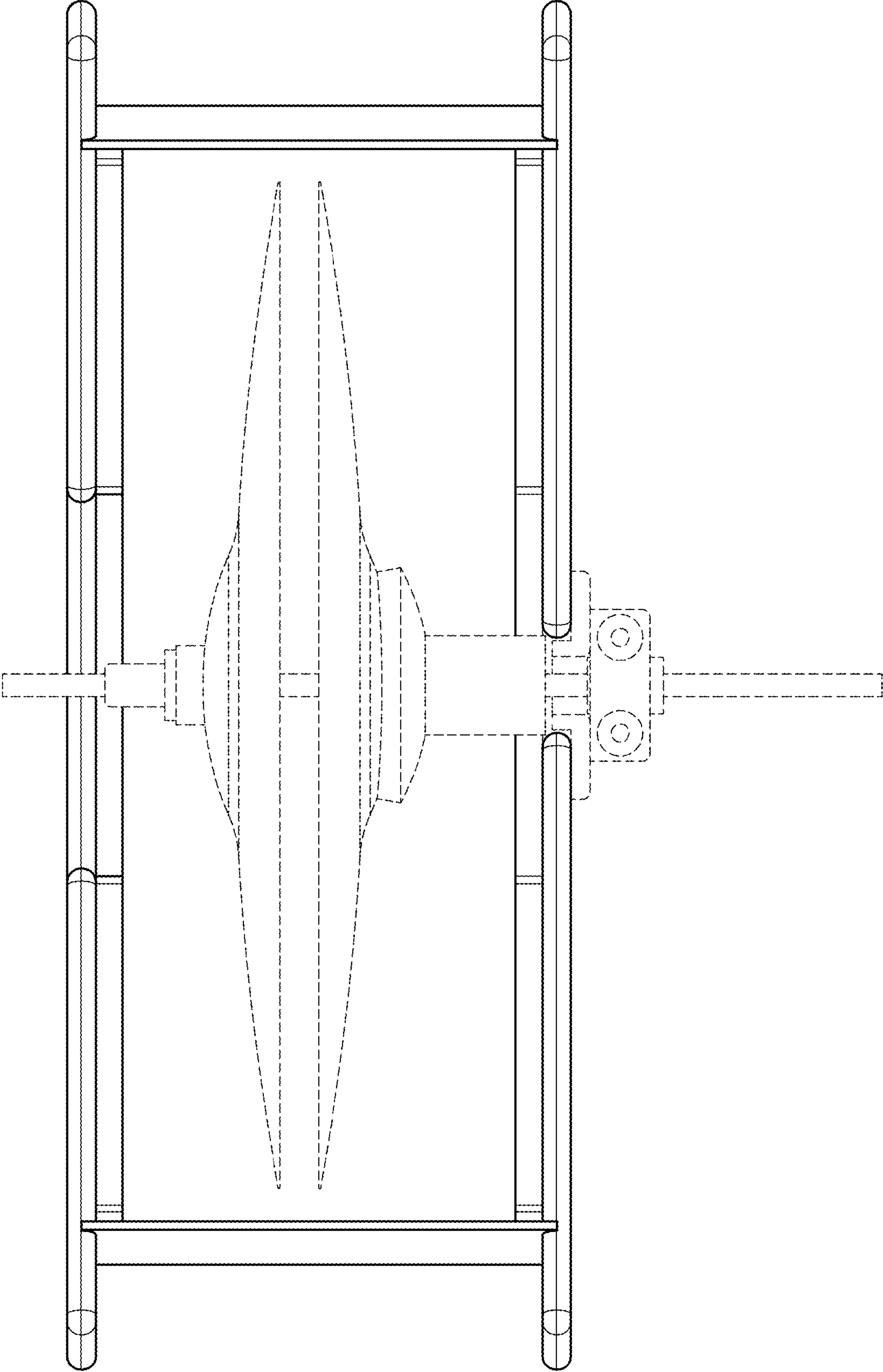


FIG. 5

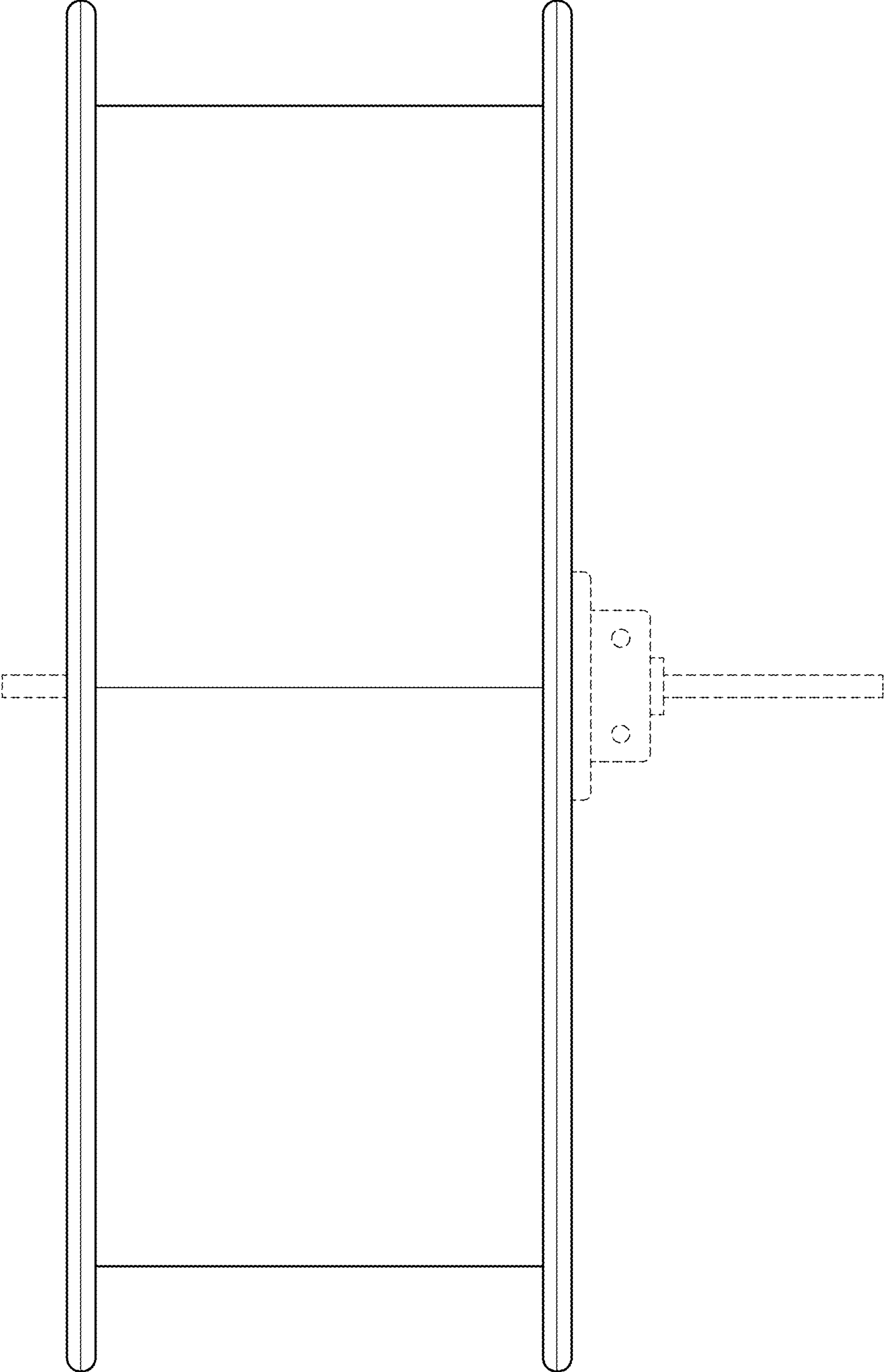


FIG. 6

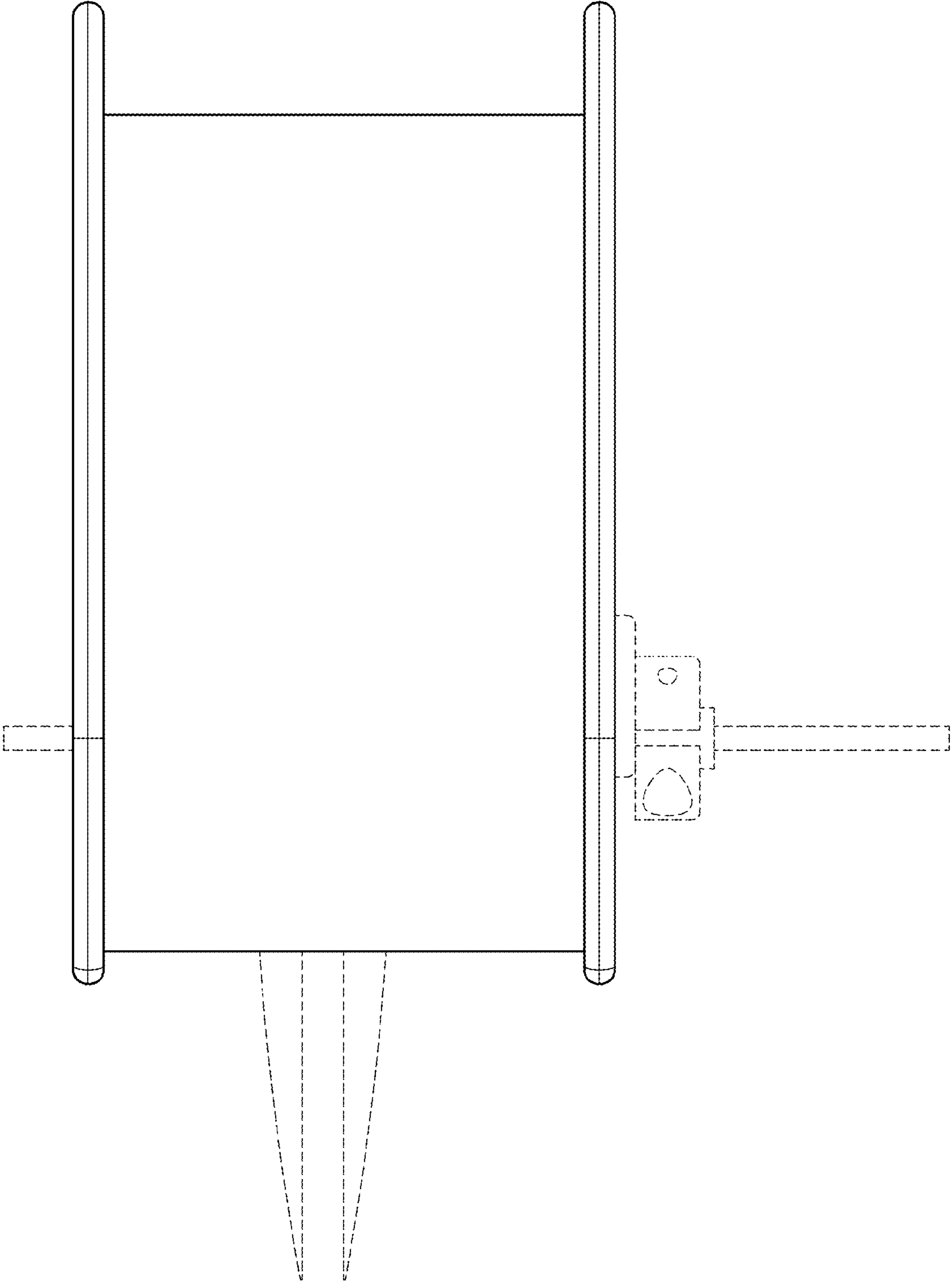




FIG. 7

