



US00D885475S

(12) **United States Design Patent**
Trombley

(10) **Patent No.:** **US D885,475 S**

(45) **Date of Patent:** **** May 26, 2020**

(54) **CYMBAL SHIELD**

6,417,434 B1 * 7/2002 Lao G10D 13/06
84/422.1

(71) Applicant: **Trombley Industries, LLC**, Castle
Rock, CO (US)

D473,053 S 4/2003 Spitler
D503,040 S * 3/2005 Elliott D3/238

(Continued)

(72) Inventor: **Benjamin Trombley**, Castle Rock, CO
(US)

FOREIGN PATENT DOCUMENTS

(73) Assignee: **Trombley Industries, LLC**, Castle
Rock, CO (US)

JP H02187792 A 7/1990
WO 2010/044651 A2 4/2010

(**) Term: **15 Years**

OTHER PUBLICATIONS

(21) Appl. No.: **29/706,180**

Going to 11, Revisiting the Shield, posted Jun. 19, 2015, [online],
[visited Apr. 3, 2020]. Internet, <URL: <https://www.goingto11.com/revisiting-the-shield/>> (Year: 2015).*

(22) Filed: **Sep. 18, 2019**

(Continued)

Related U.S. Application Data

(62) Division of application No. 29/632,975, filed on Jan.
11, 2018, now Pat. No. Des. 873,905.

Primary Examiner — Sheryl Lane

Assistant Examiner — Samantha N Wood

(51) **LOC (12) Cl.** **17-04**

(74) *Attorney, Agent, or Firm* — Hall Estill Attorneys at
Law; Gordon R. Lindeen, III

(52) **U.S. Cl.**

(57) **CLAIM**

USPC **D17/22**

The ornamental design for a cymbal shield, as shown and
described.

(58) **Field of Classification Search**

DESCRIPTION

USPC D17/22, 23, 99; D14/204, 217, 221, 222,
D14/261, 299, 216, 203.8, 209.1, 167,
D14/483; D9/695, 715, 721, 502, 414;
D3/273, 234

FIG. 1 is a front perspective view of a cymbal shield, shown
separately to show aspects of the design that are not visible
when in use.

CPC G10D 13/00; G10D 13/01; G10D 13/06;
G10D 13/063; G10D 13/065; G10D
13/10; G10D 13/22

FIG. 2 is a top view of the cymbal shield, in use condition.

FIG. 3 is a bottom view thereof.

FIG. 4 is a front view thereof.

FIG. 5 is a back view thereof.

FIG. 6 is a right side view thereof; and,

FIG. 7 is a left side view thereof.

See application file for complete search history.

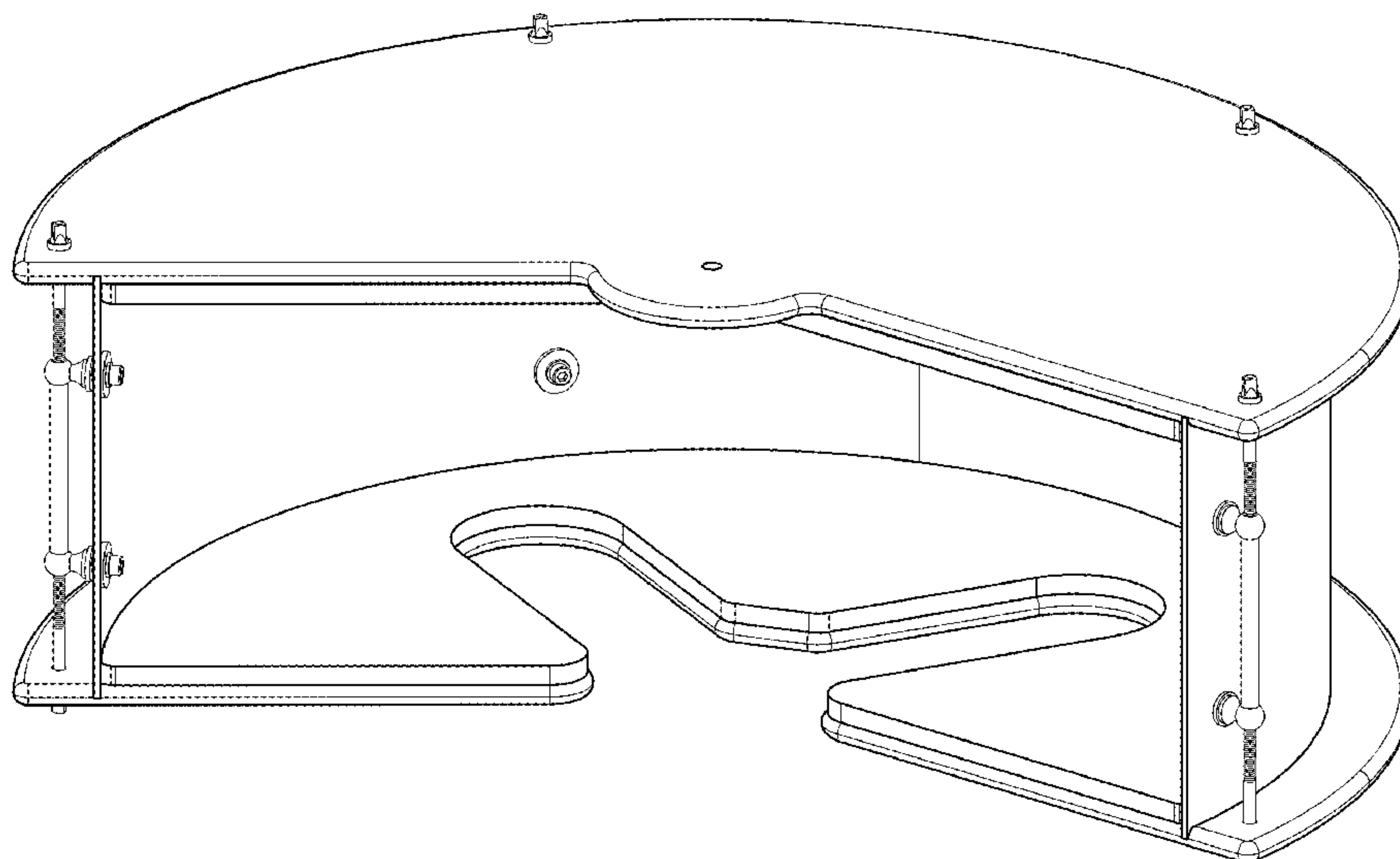
The broken lines showing portions of the crash cymbal and
portions of the stand are included for the purpose of depict-
ing the environmental structure and form no part of the
claimed design.

(56) **References Cited**

U.S. PATENT DOCUMENTS

D86,705 S 4/1932 Dopyera
D216,441 S 1/1970 Ross
D260,325 S * 8/1981 Davis D3/234
D311,018 S * 10/1990 Corder D17/22
D339,818 S 9/1993 Peterson

1 Claim, 7 Drawing Sheets



(56)

References Cited

U.S. PATENT DOCUMENTS

D579,041 S * 10/2008 Nakao D17/22
D597,589 S 8/2009 Onishi
D741,149 S 10/2015 Koop et al.
D763,953 S 8/2016 Kenkman
2010/0024624 A1* 2/2010 Wachter G10D 13/06
84/422.3
2012/0118130 A1* 5/2012 Field G10D 13/02
84/730
2013/0255471 A1 10/2013 Prefontaine
2015/0098601 A1* 4/2015 Absher H04R 1/345
381/352

OTHER PUBLICATIONS

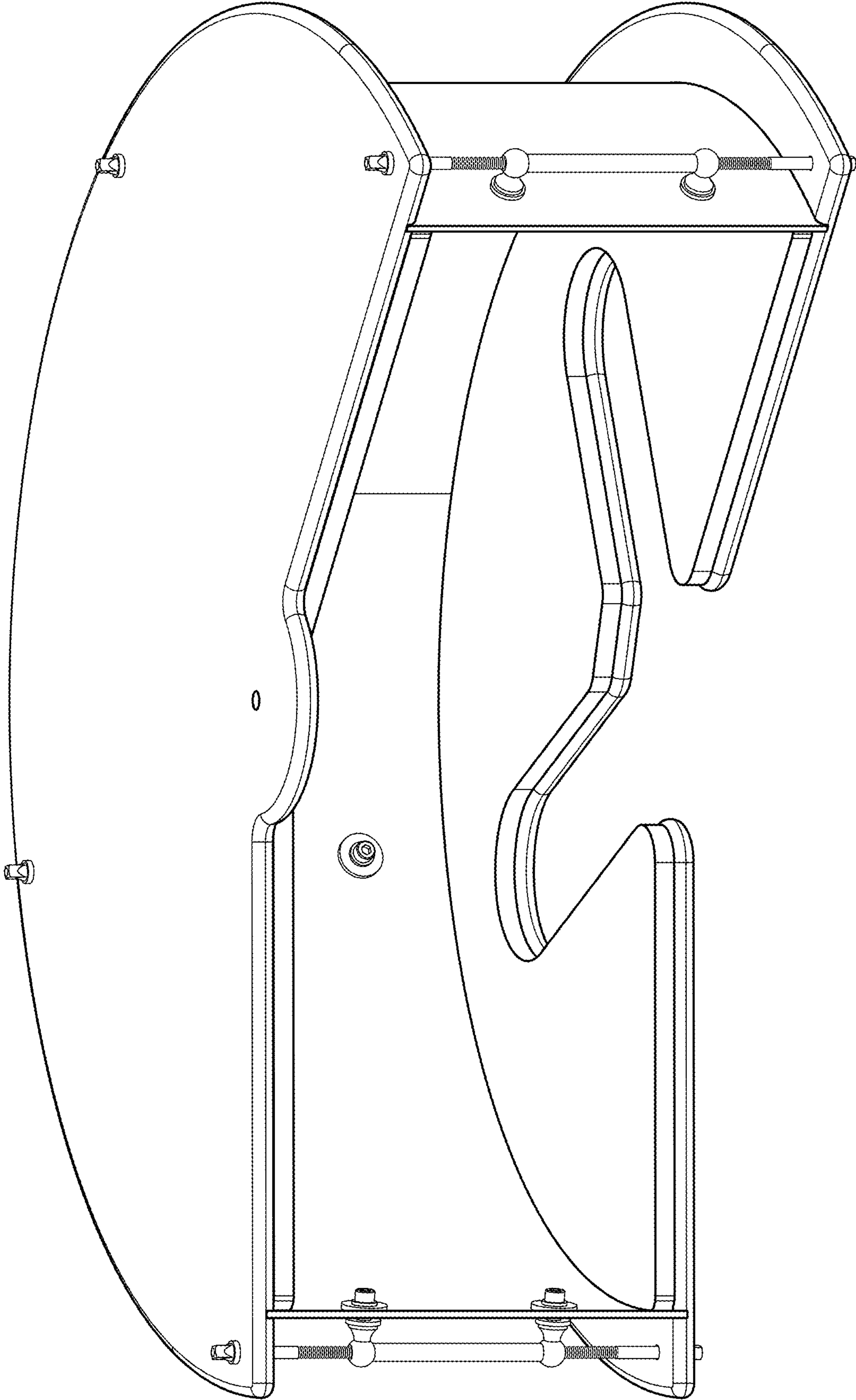
Amazon, Drum Shield, posted Jul. 31, 2010, [online], [visited Apr. 3, 2020]. Internet, <URL:<https://www.amazon.com/Shield-DS4-Panels-Chrome-Hinges/dp/B003XZ40AU>> (Year: 2010).*

Amazon, RockSolid Drum practice Pad, posted Feb. 1, 2012, [online], [visited Jun. 28, 2019]. Internet, URL: https://www.amazon.co.uk/Drum-Kit-Silencer-Practice-Pads/dp/B0074A9O4W/ref=olp_product_details?_encoding=UTF8&me= (Year: 2012).

Youtube, The Cymbal Shield promo, posted Mar. 27, 2017, [online], [visited Jun. 28, 2019]. Internet, URL: <https://www.youtube.com/watch?v=80ZeTjQAEYI> (Year: 2017).

* cited by examiner

FIG. 1



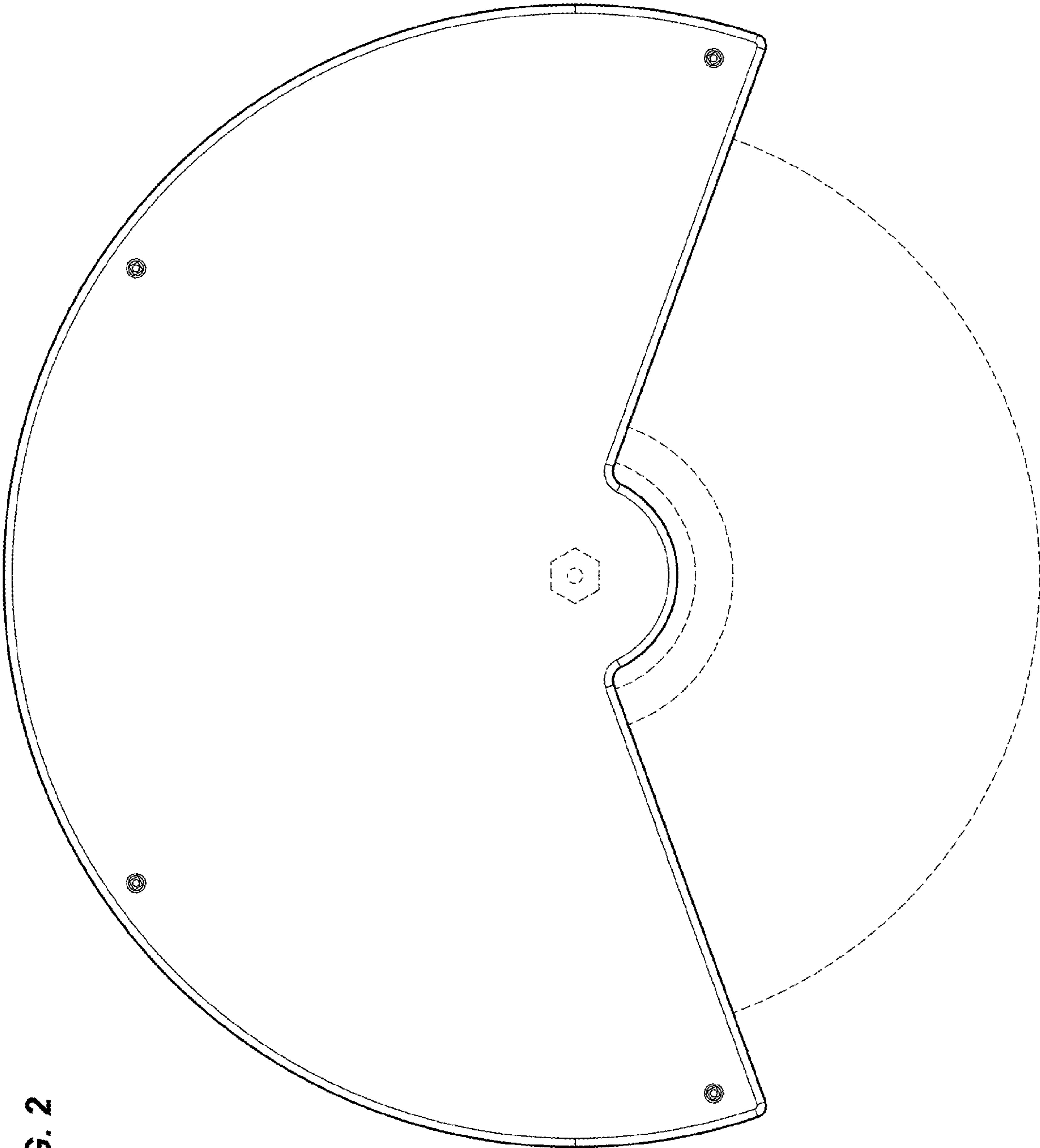


FIG. 2

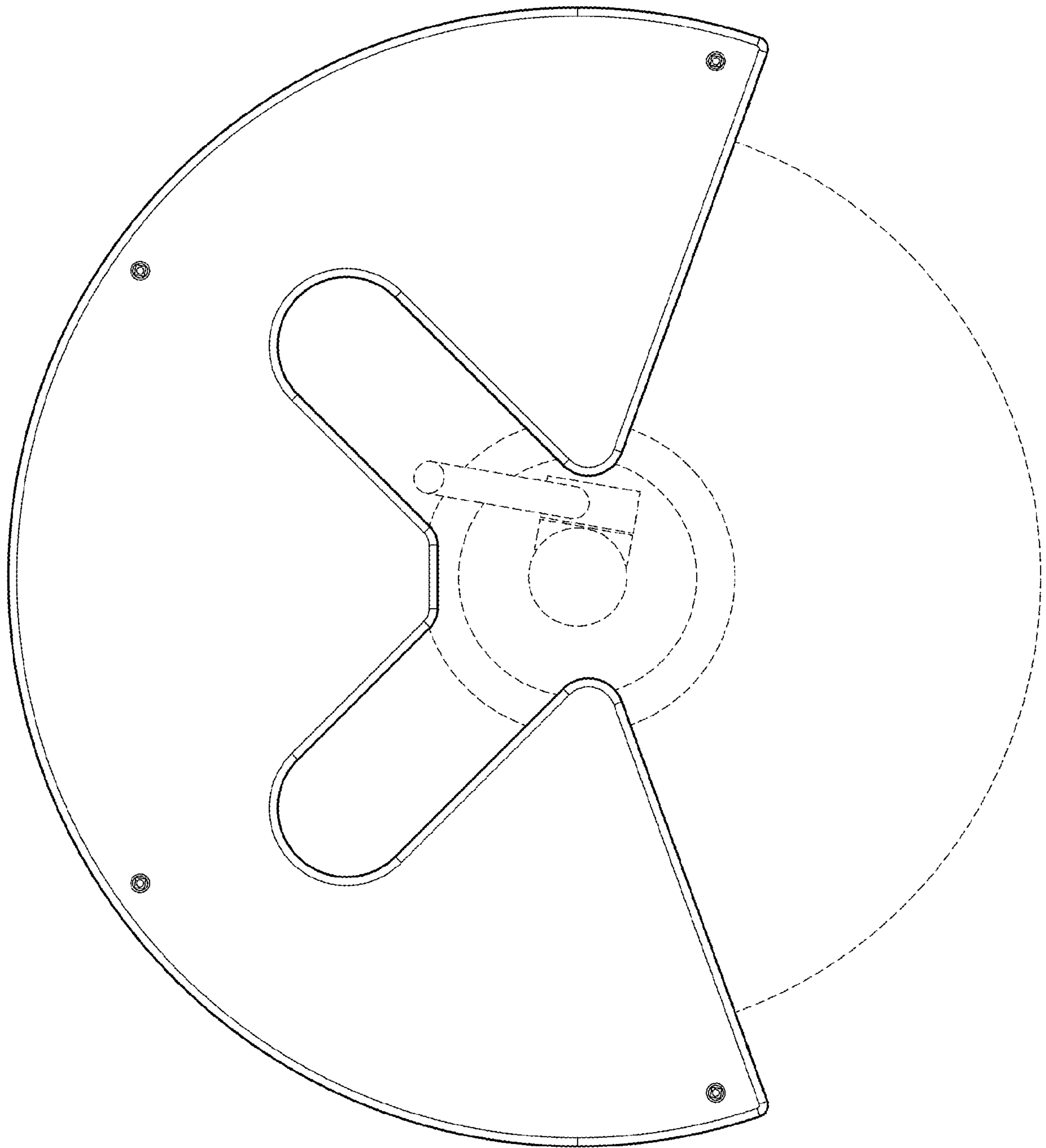


FIG. 3

FIG. 4

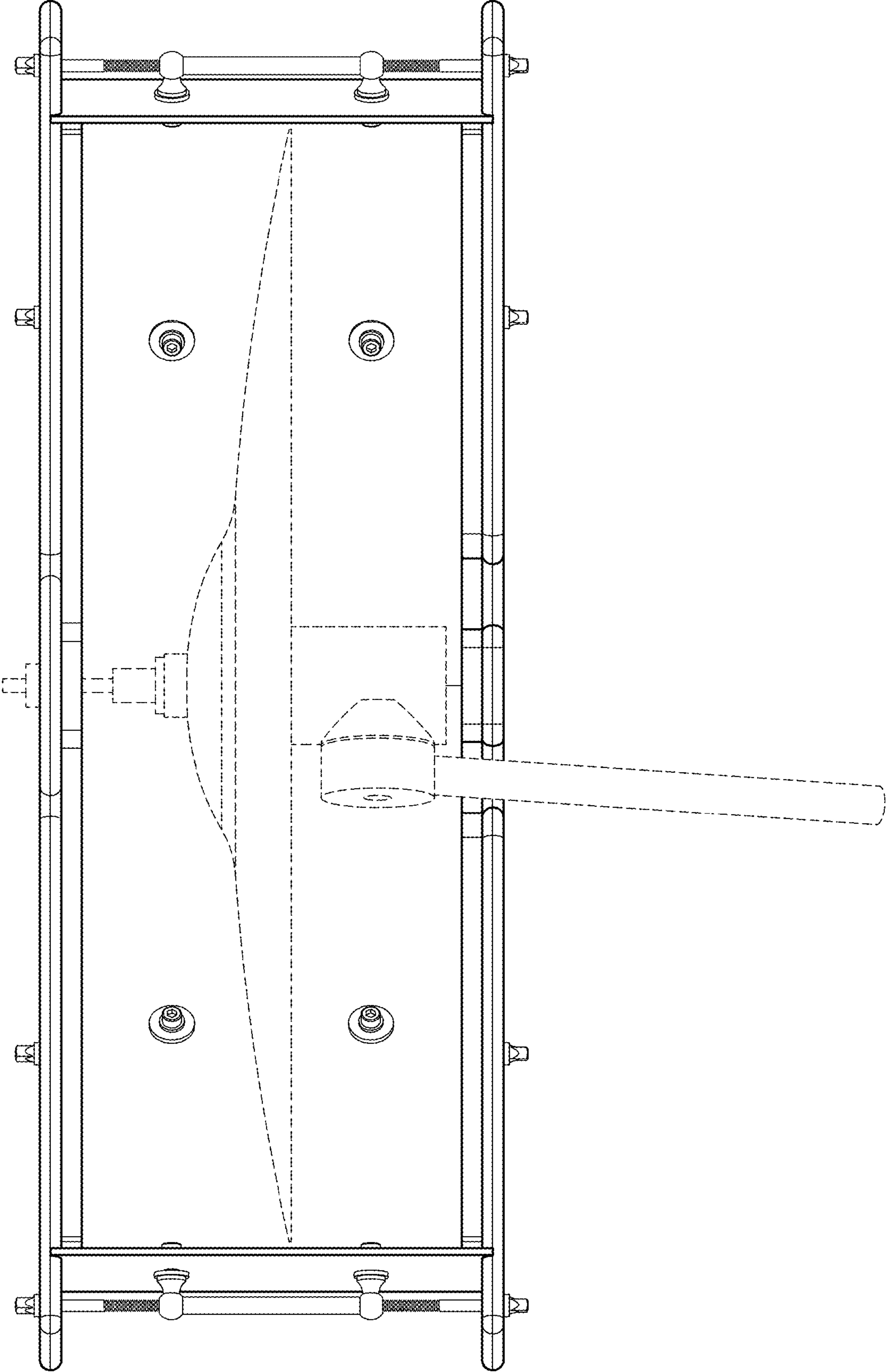


FIG. 5

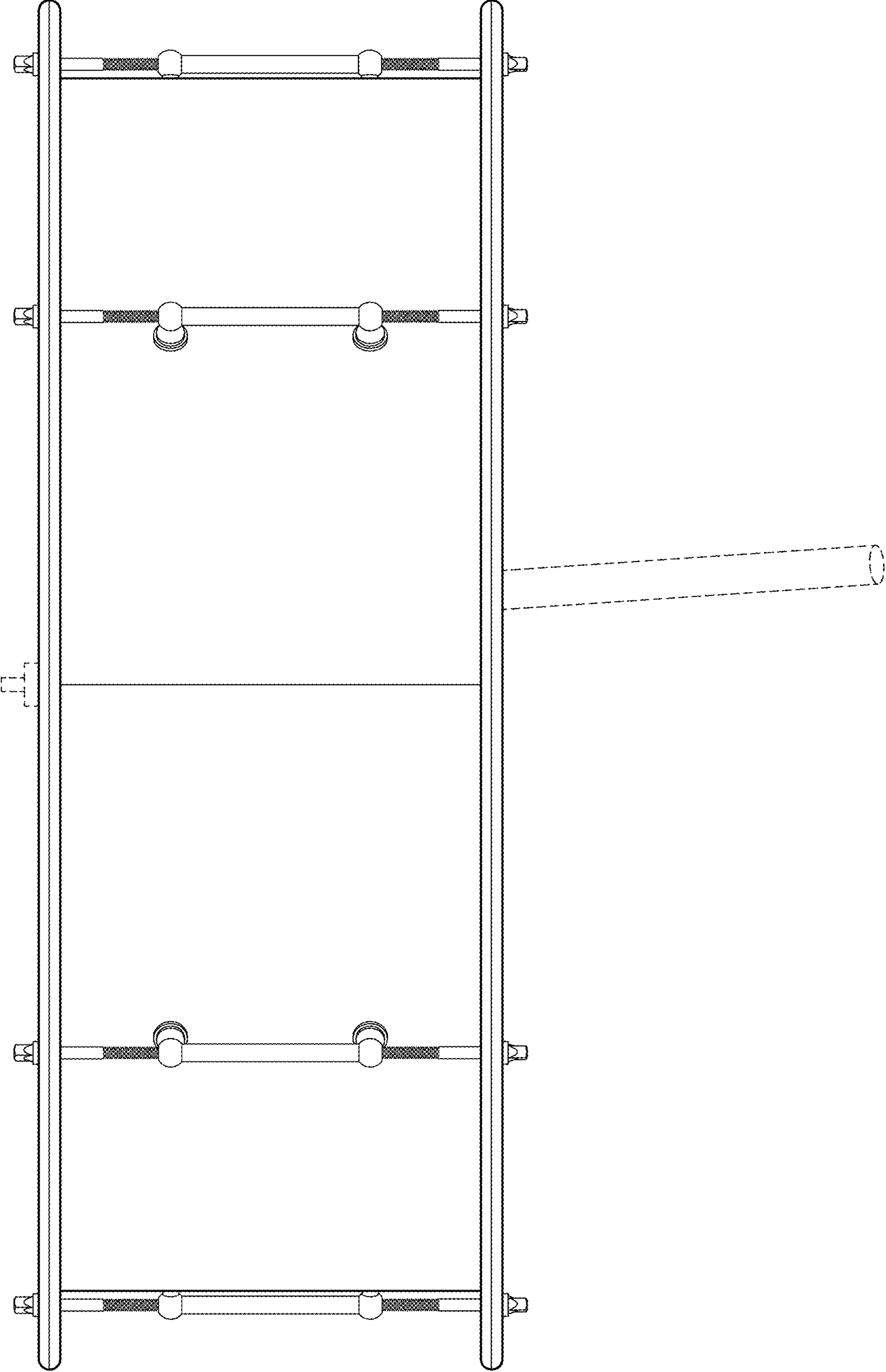


FIG. 6

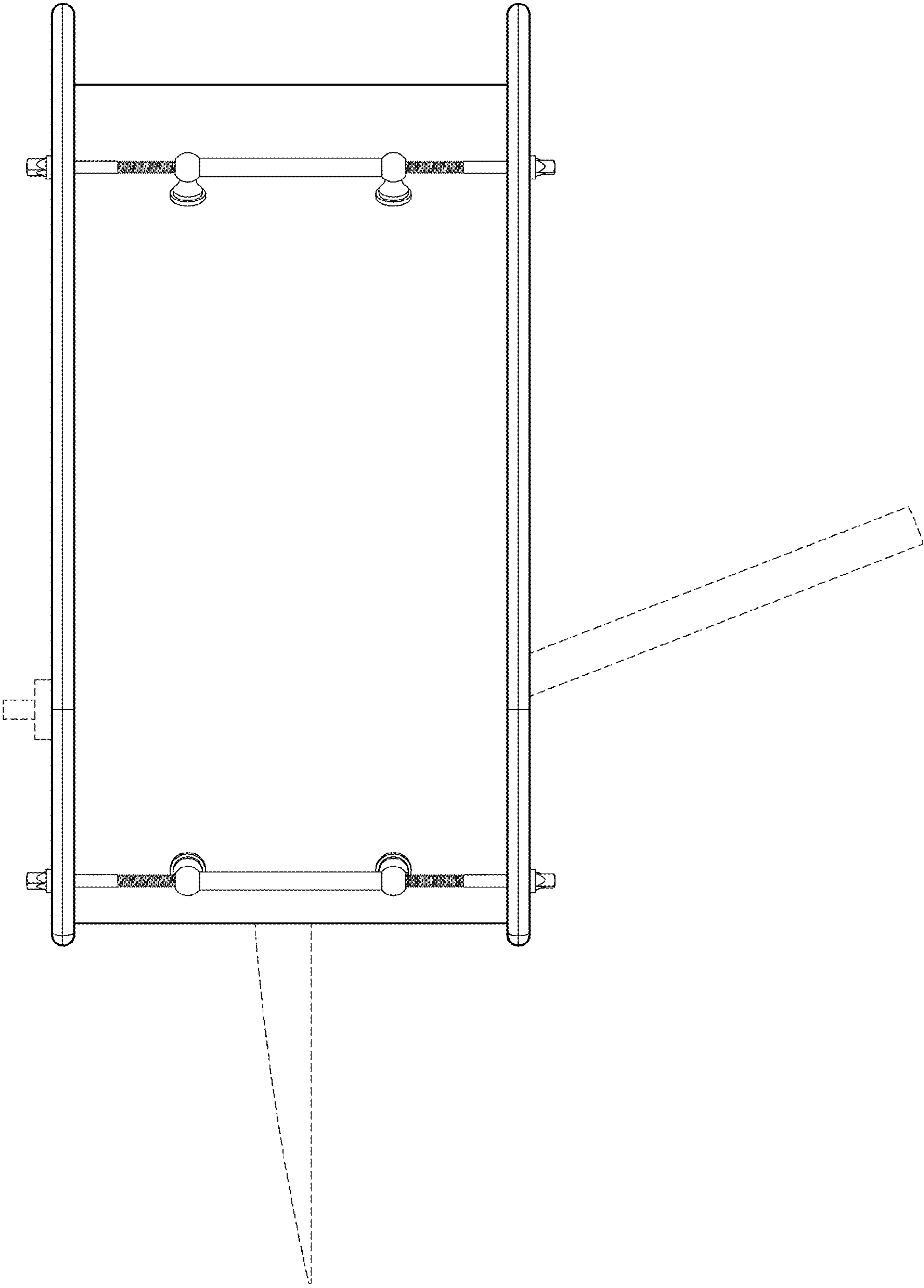


FIG. 7

