



US00D885474S

(12) **United States Design Patent** (10) **Patent No.:** **US D885,474 S**  
**Trombley** (45) **Date of Patent:** **\*\* May 26, 2020**

(54) **CYMBAL SHIELD** 6,417,434 B1 \* 7/2002 Lao ..... G10D 13/06 84/422.1  
(71) Applicant: **Trombley Industries, LLC**, Castle Rock, CO (US) D473,053 S 4/2003 Spitler  
D503,040 S \* 3/2005 Elliott ..... D3/238  
(Continued)

(72) Inventor: **Benjamin Trombley**, Castle Rock, CO (US)

(73) Assignee: **Trombley Industries, LLC**, Castle Rock, CO (US)

(\*\*) Term: **15 Years**

(21) Appl. No.: **29/706,125**

(22) Filed: **Sep. 18, 2019**

FOREIGN PATENT DOCUMENTS

JP H02187792 A 7/1990  
WO 2010/044651 A2 4/2010

OTHER PUBLICATIONS

Going to 11, Revisiting the Shield, posted Jun. 19, 2015, [online], [visited Apr. 3, 2020]. Internet, <URL: <https://www.goingto11.com/revisiting-the-shield/>> (Year: 2015).\*

(Continued)

**Related U.S. Application Data**

(62) Division of application No. 29/632,969, filed on Jan. 11, 2018, now Pat. No. Des. 873,904.

(51) **LOC (12) Cl.** ..... **17-04**

(52) **U.S. Cl.**  
USPC ..... **D17/22**

(58) **Field of Classification Search**  
USPC .... D17/22, 23, 99; D14/204, 217, 221, 222, D14/261, 299, 216, 203.8, 209.1, 167, D14/483; D9/695, 715, 721, 502, 414; D3/273, 234  
CPC ..... G10D 13/00; G10D 13/01; G10D 13/06; G10D 13/063; G10D 13/065; G10D 13/10; G10D 13/22

See application file for complete search history.

(56) **References Cited**

U.S. PATENT DOCUMENTS

D86,705 S 4/1932 Dopyera  
D216,441 S 1/1970 Ross  
D260,325 S \* 8/1981 Davis ..... D3/234  
D268,311 S \* 3/1983 De Persia ..... D3/272  
D339,818 S 9/1993 Peterson

*Primary Examiner* — Sheryl Lane

*Assistant Examiner* — Samantha N Wood

(74) *Attorney, Agent, or Firm* — Hall Estill Attorneys at Law; Gordon R. Lindeen, III

(57) **CLAIM**

The ornamental design for a cymbal shield, as shown and described.

**DESCRIPTION**

FIG. 1 is a front perspective view of a cymbal shield, shown separately to show aspects of the design that are not visible when in use.

FIG. 2 is a top view of the cymbal shield in use condition.

FIG. 3 is a bottom view thereof.

FIG. 4 is a front view thereof.

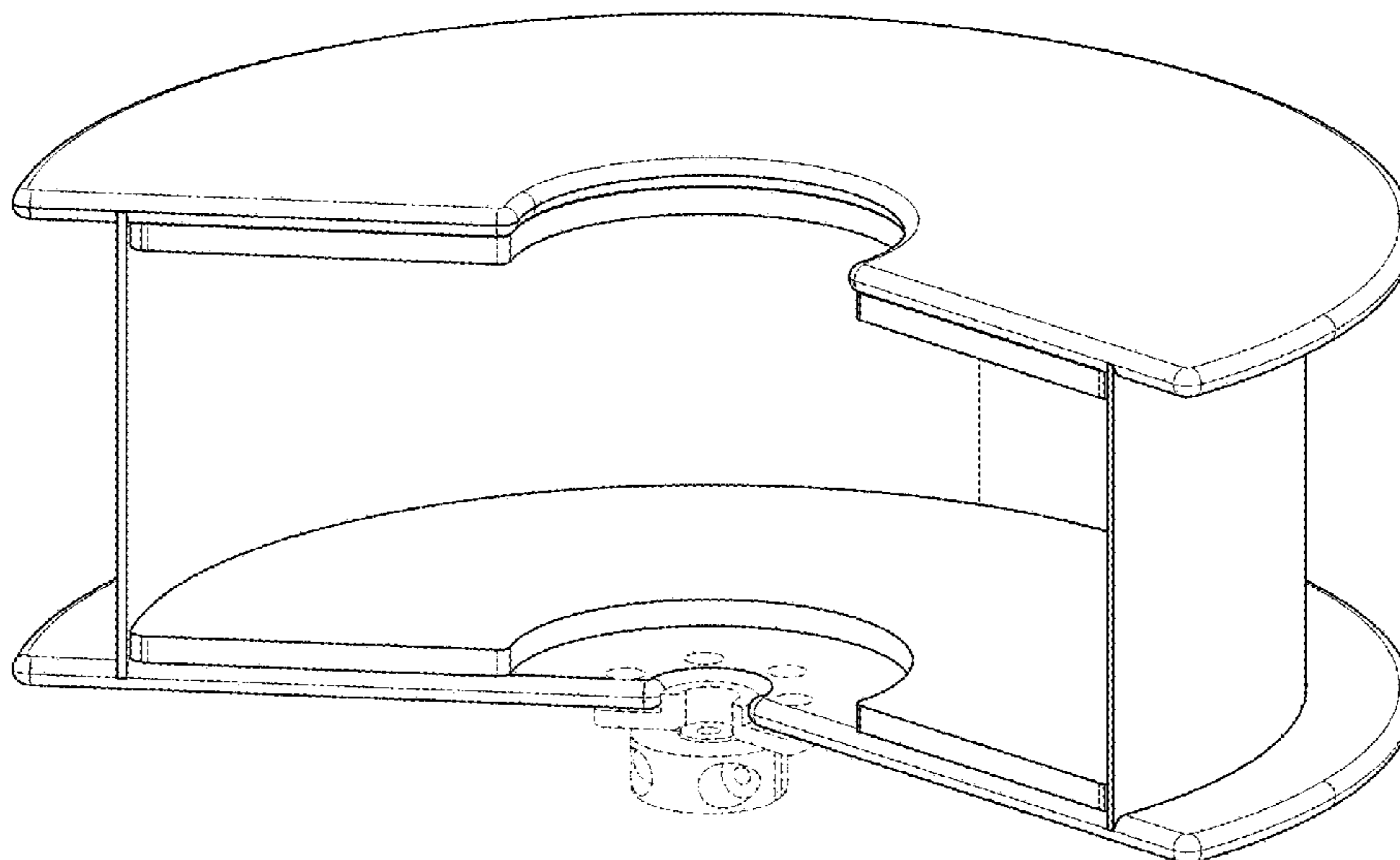
FIG. 5 is a rear view thereof.

FIG. 6 is a right side view thereof; and,

FIG. 7 is a left side view thereof.

The broken lines showing portions of the hi-hat cymbal and portions of the stand are included for the purpose of depicting the environmental structure and form no part of the claimed design.

**1 Claim, 7 Drawing Sheets**



(56)

**References Cited**

U.S. PATENT DOCUMENTS

D579,041	S	*	10/2008	Nakao	.....	D17/22
D597,589	S		8/2009	Onishi		
D741,149	S		10/2015	Koop et al.		
D763,953	S		8/2016	Kenkman		
2010/0024624	A1	*	2/2010	Wachter	.....	G10D 13/06 84/422.3
2012/0118130	A1	*	5/2012	Field	.....	G10D 13/02 84/730
2013/0255471	A1		10/2013	Prefontaine		
2015/0098601	A1	*	4/2015	Absher	.....	H04R 1/345 381/352

OTHER PUBLICATIONS

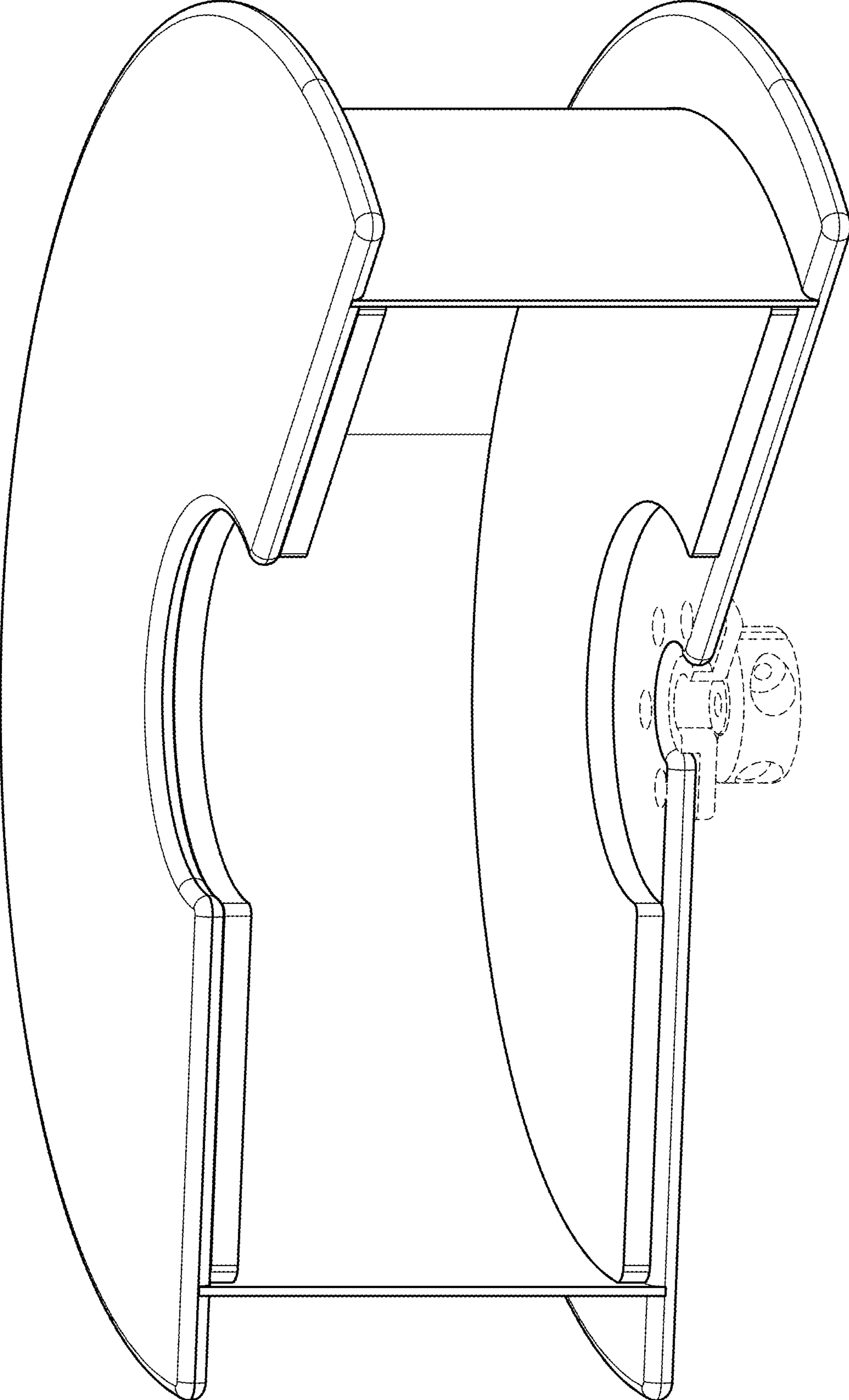
Amazon, Drum Shield, posted Jul. 31, 2010, [online], [visited Apr. 3, 2020]. Internet, <URL:https://www.amazon.com/Shield-DS4-Panels-Chrome-Hinges/dp/B003XZ40AU> (Year: 2010).\*

Amazon, RockSolid Drum practice Pad, posted Feb. 1, 2012, [online], [visited Jun. 28, 2019]. Internet, URL: https://www.amazon.co.uk/Drum-Kit-Silencer-Practice-Pads/dp/B0074A9O4W/ref=olp\_product\_details?\_encoding=UTF8&me= (Year: 2012).

Youtube, The Cymbal Shield promo, posted Mar. 27, 2017, [online], [visited Jun. 28, 2019]. Internet, URL: https://www.youtube.com/watch?v=80ZeTjQAEYI (Year: 2017).

\* cited by examiner

FIG. 1



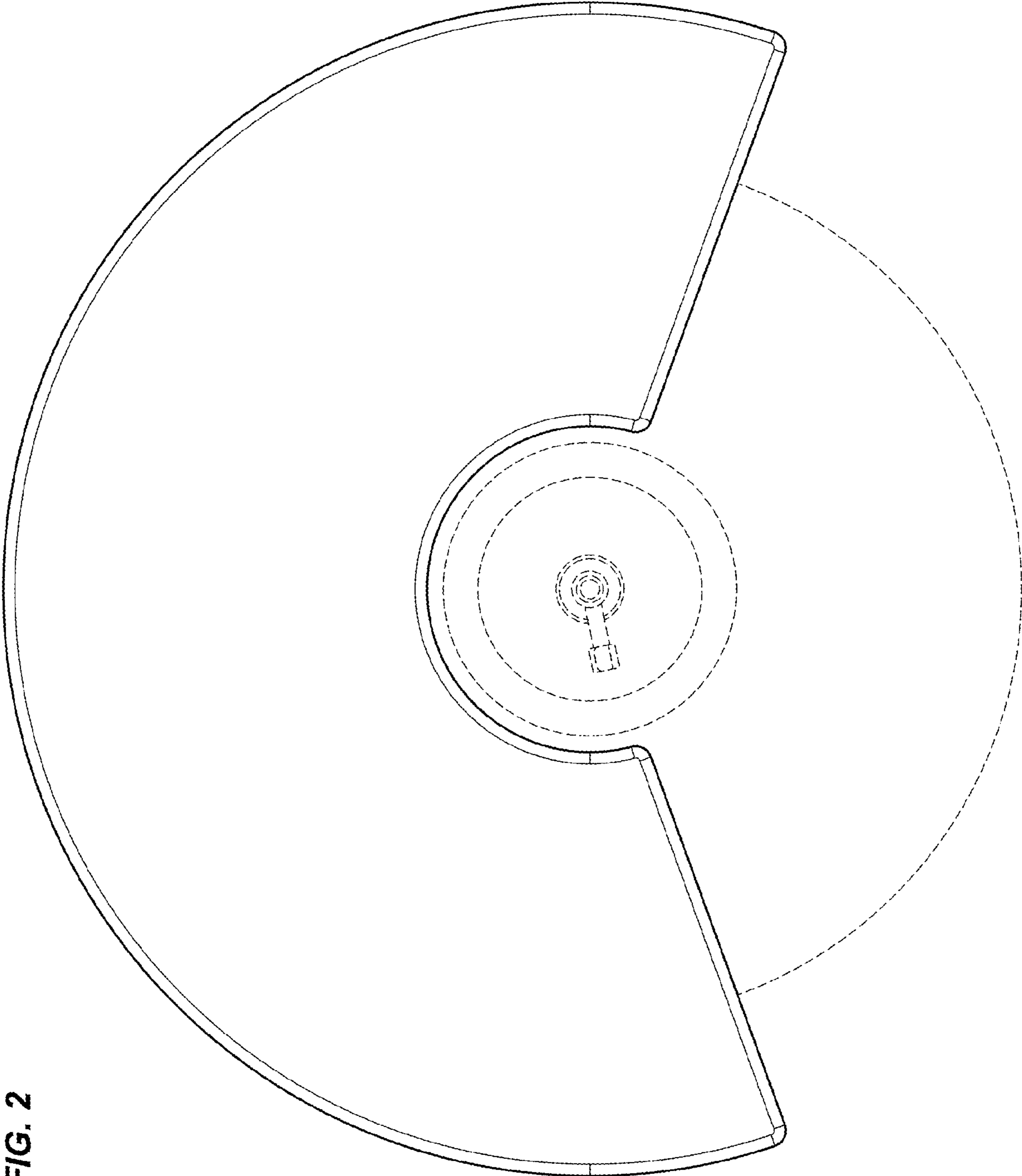


FIG. 2

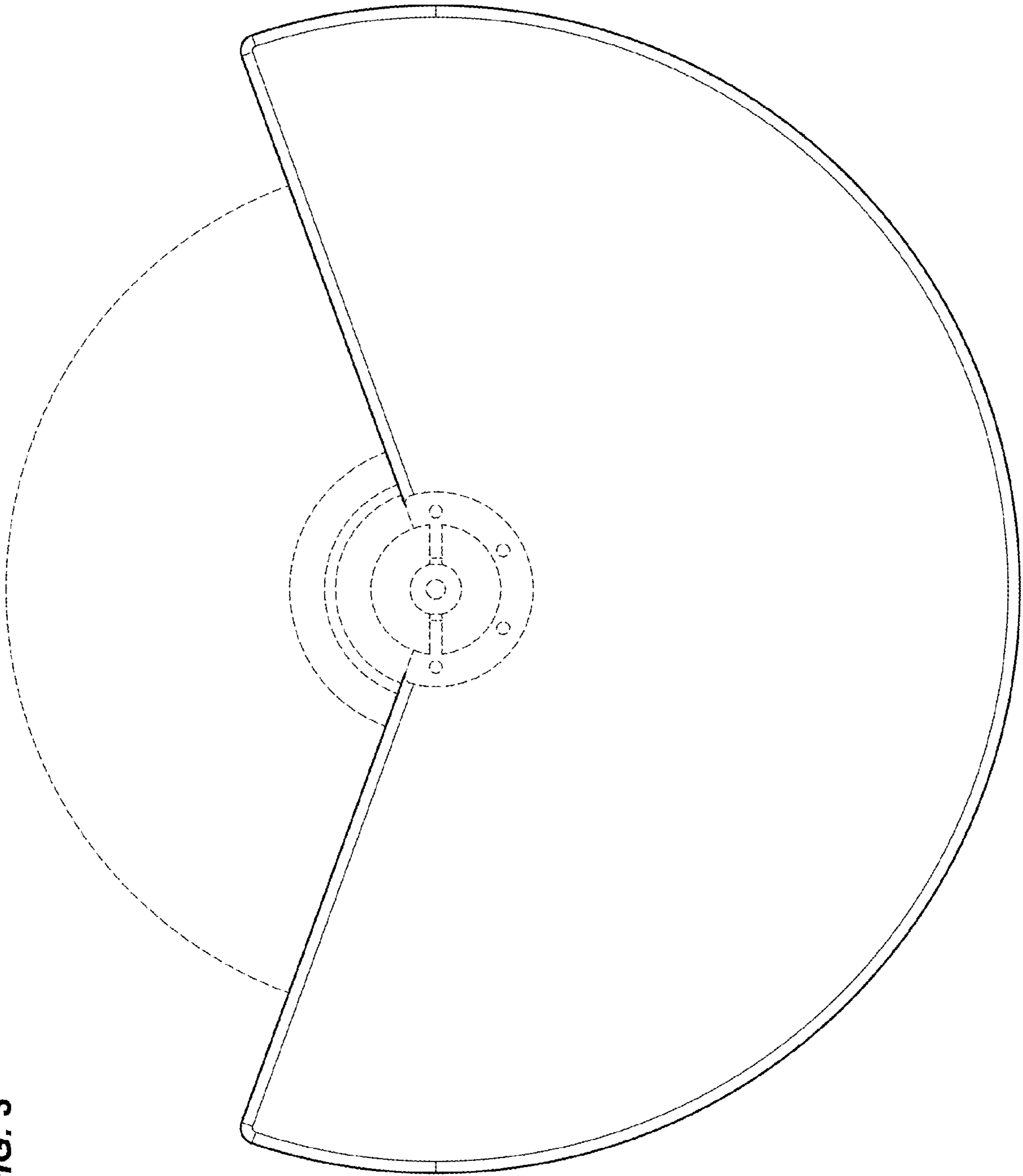


FIG. 3

**FIG. 4**

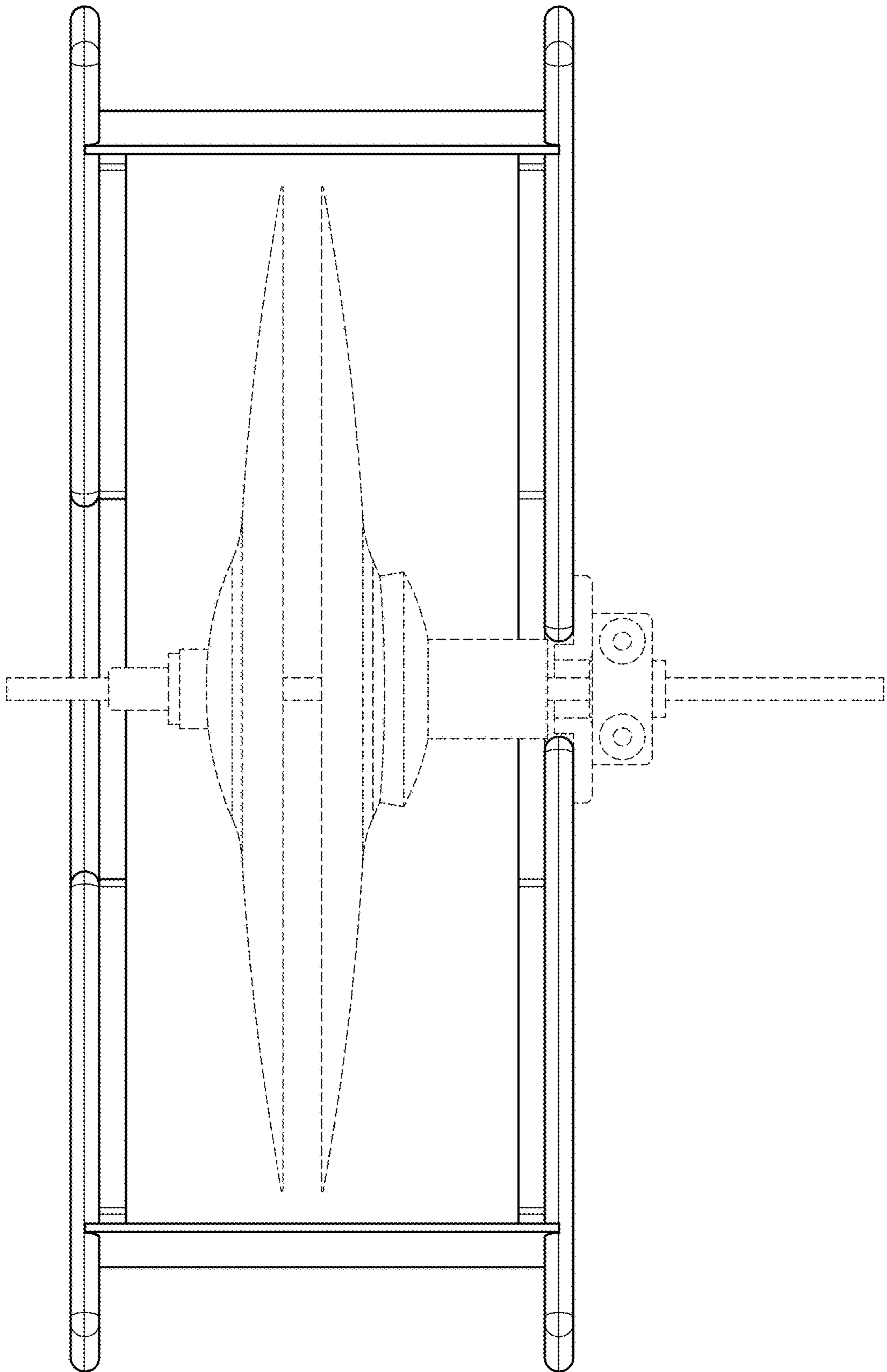


FIG. 5

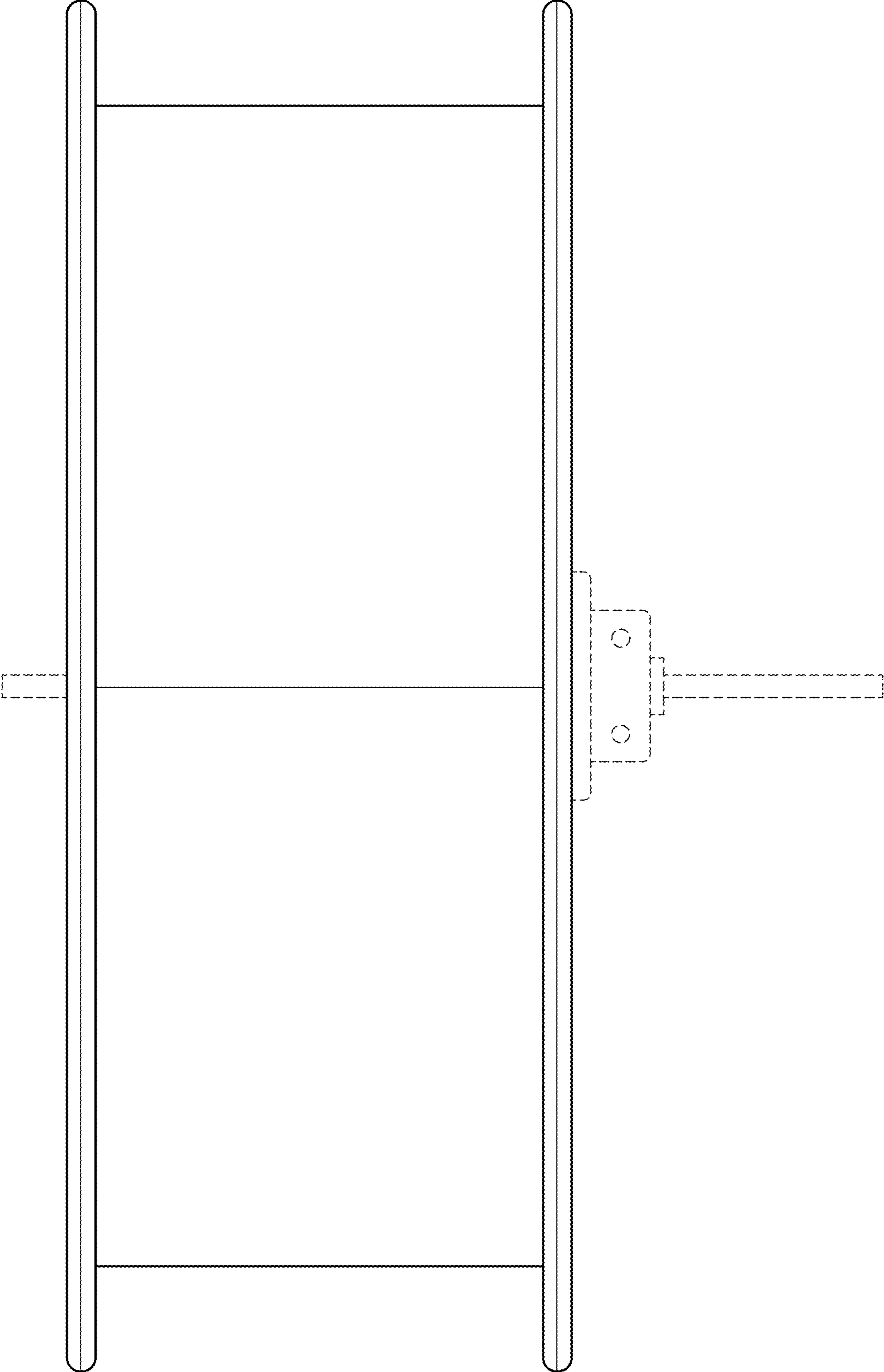


FIG. 6

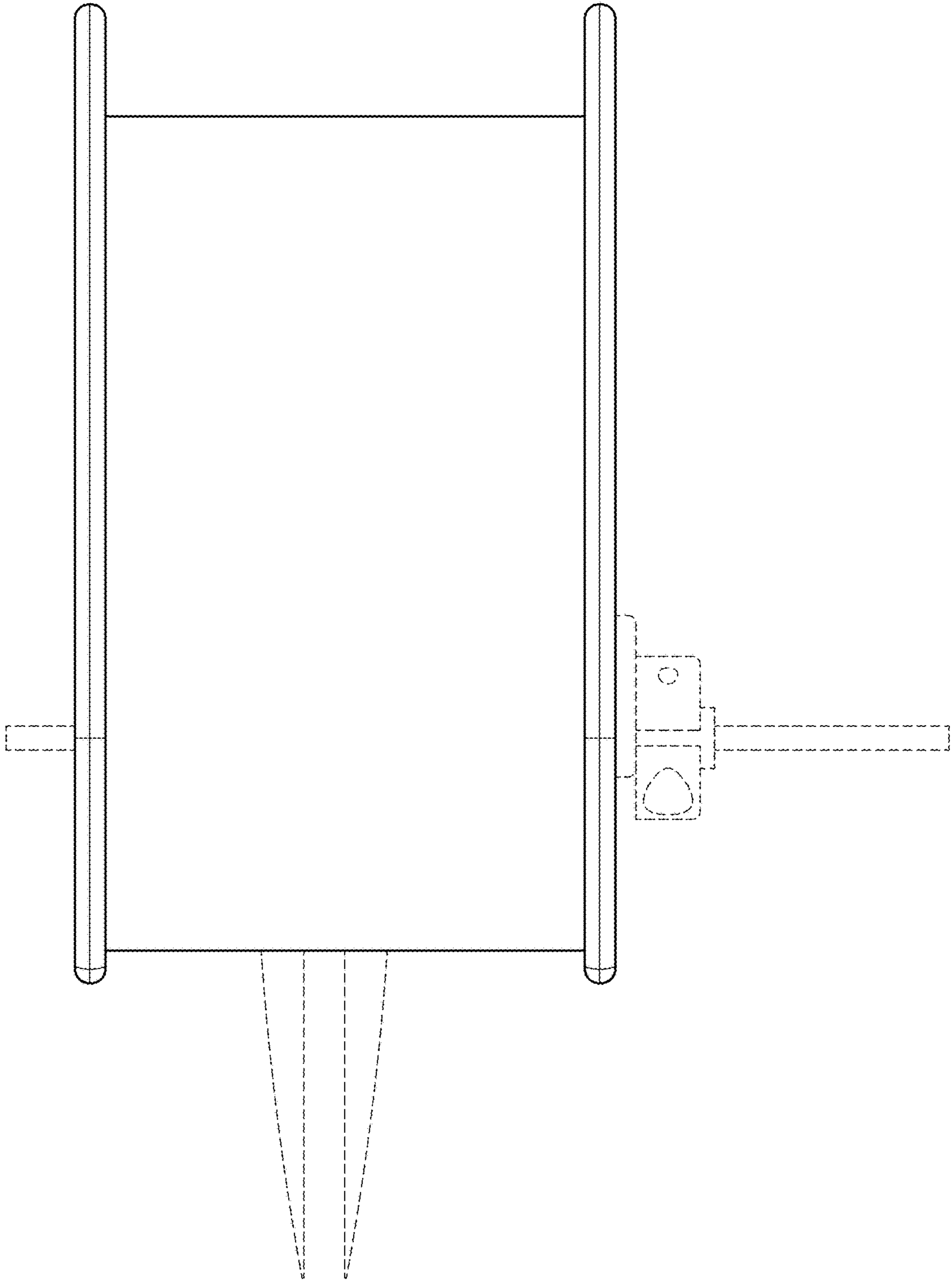




FIG. 7

