



US00D885473S

(12) **United States Design Patent** (10) **Patent No.:** **US D885,473 S**  
**Johnson et al.** (45) **Date of Patent:** **\*\* May 26, 2020**

(54) **SWIMMING GOGGLES**  
(71) Applicant: **Speedo International Limited**, London (GB)  
(72) Inventors: **Chris Johnson**, London (GB); **Nathan Tomlinson**, London (GB)  
(73) Assignee: **Speedo International Limited**, London (GB)

D613,787 S \* 4/2010 Chiang ..... D16/303  
D633,549 S \* 3/2011 Chiang ..... D16/303  
D649,176 S \* 11/2011 Booker ..... D16/303  
D695,334 S \* 12/2013 Waller ..... D16/311  
D809,055 S \* 1/2018 Tracy ..... D16/311  
D820,345 S \* 6/2018 Chiang ..... D16/303  
D820,346 S \* 6/2018 Chiang ..... D16/303

(Continued)

(\*\*) Term: **15 Years**

(21) Appl. No.: **29/644,706**

(22) Filed: **Apr. 19, 2018**

(30) **Foreign Application Priority Data**

Oct. 20, 2017 (EM) ..... 004415628-0003

(51) **LOC (12) Cl.** ..... **16-06**

(52) **U.S. Cl.**  
USPC ..... **D16/303**; D16/311

(58) **Field of Classification Search**  
USPC ..... D16/300, 301, 302, 303  
CPC ..... A63B 33/002; G02C 5/08; G02C 5/006;  
G02C 1/08  
See application file for complete search history.

(56) **References Cited**

U.S. PATENT DOCUMENTS

D504,455 S \* 4/2005 Chiang ..... D16/303  
D504,457 S \* 4/2005 Chiang ..... D16/303  
D523,059 S \* 6/2006 Chiang ..... D16/303  
D523,060 S \* 6/2006 Chiang ..... D16/303  
D524,842 S \* 7/2006 Chiang ..... D16/303  
7,146,654 B2 \* 12/2006 Chiang ..... A63B 33/002  
2/428  
D555,702 S \* 11/2007 Chiang ..... D16/311  
D569,410 S \* 5/2008 Chiang ..... D16/303  
D576,660 S \* 9/2008 Chiang ..... D16/311  
D585,473 S \* 1/2009 Chiang ..... D16/311

FOREIGN PATENT DOCUMENTS

GB 2480854 A \* 12/2011 ..... A63B 33/002

OTHER PUBLICATIONS

Aqua Sphere Kaiman Swim Goggle, posted at amazon.com, posting date Mar. 5, 2014, [online], [site visited Oct. 4, 2019]. Available from Internet, URL: <https://www.amazon.com/Aqua-Sphere-Kaiman-Goggle-Italy/dp/B000ENSTCE/> (Year: 2014).\*

(Continued)

*Primary Examiner* — George D. Kirschbaum  
*Assistant Examiner* — Maria J Edwards  
(74) *Attorney, Agent, or Firm* — Fross Zelnick Lehrman & Zissu, P.C.; Charles T. J. Weigell

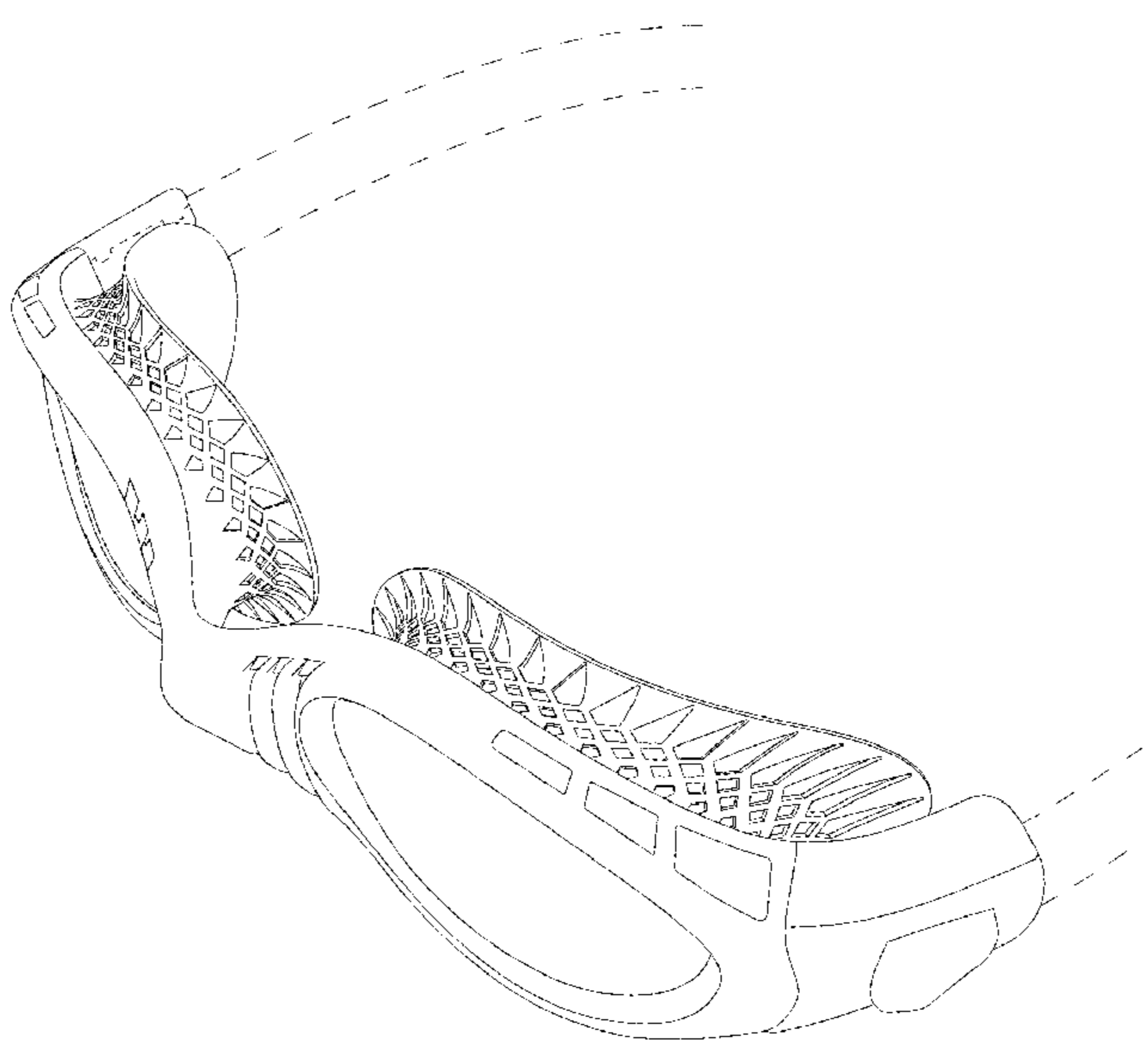
(57) **CLAIM**

The ornamental design for swimming goggles, shown and described.

**DESCRIPTION**

FIG. 1 is a front perspective view of swimming goggles showing our new design;  
FIG. 2 is a front elevational view thereof;  
FIG. 3 is a rear elevational view thereof;  
FIG. 4 is a left side elevational view thereof;  
FIG. 5 is a top plan view thereof; and,  
FIG. 6 is a bottom plan view thereof.  
The broken lines showing a strap and the inner portion of the seals in FIG. 3, form no part of the claimed design.

**1 Claim, 6 Drawing Sheets**



(56)

**References Cited**

U.S. PATENT DOCUMENTS

2008/0189837 A1\* 8/2008 Chiang ..... A63B 33/002  
2/431  
2012/0096632 A1\* 4/2012 Chou ..... A63B 33/002  
2/452  
2017/0197117 A1\* 7/2017 Shiue ..... A63B 33/002  
2019/0015705 A1\* 1/2019 Chiang ..... A63B 33/002

OTHER PUBLICATIONS

Speedo Futura Biofuse Flexiseal Swim Goggle, posted at amazon.com, posting date Oct. 4, 2018, [online], [site visited Oct. 4, 2019]. Available from Internet, URL: <https://www.amazon.com/Speedo-Futura-Biofuse-Flexiseal-Goggle/dp/B07K77GWLW> (Year: 2018).\*

Speedo S117 Futura Biofuse Goggles, posted at youtube.com, posting date Feb. 2, 2017, [online], [site visited Oct. 4, 2019]. Available from Internet, URL: <https://www.youtube.com/watch?v=rodR7u8l2PY> (Year: 2019).\*

\* cited by examiner

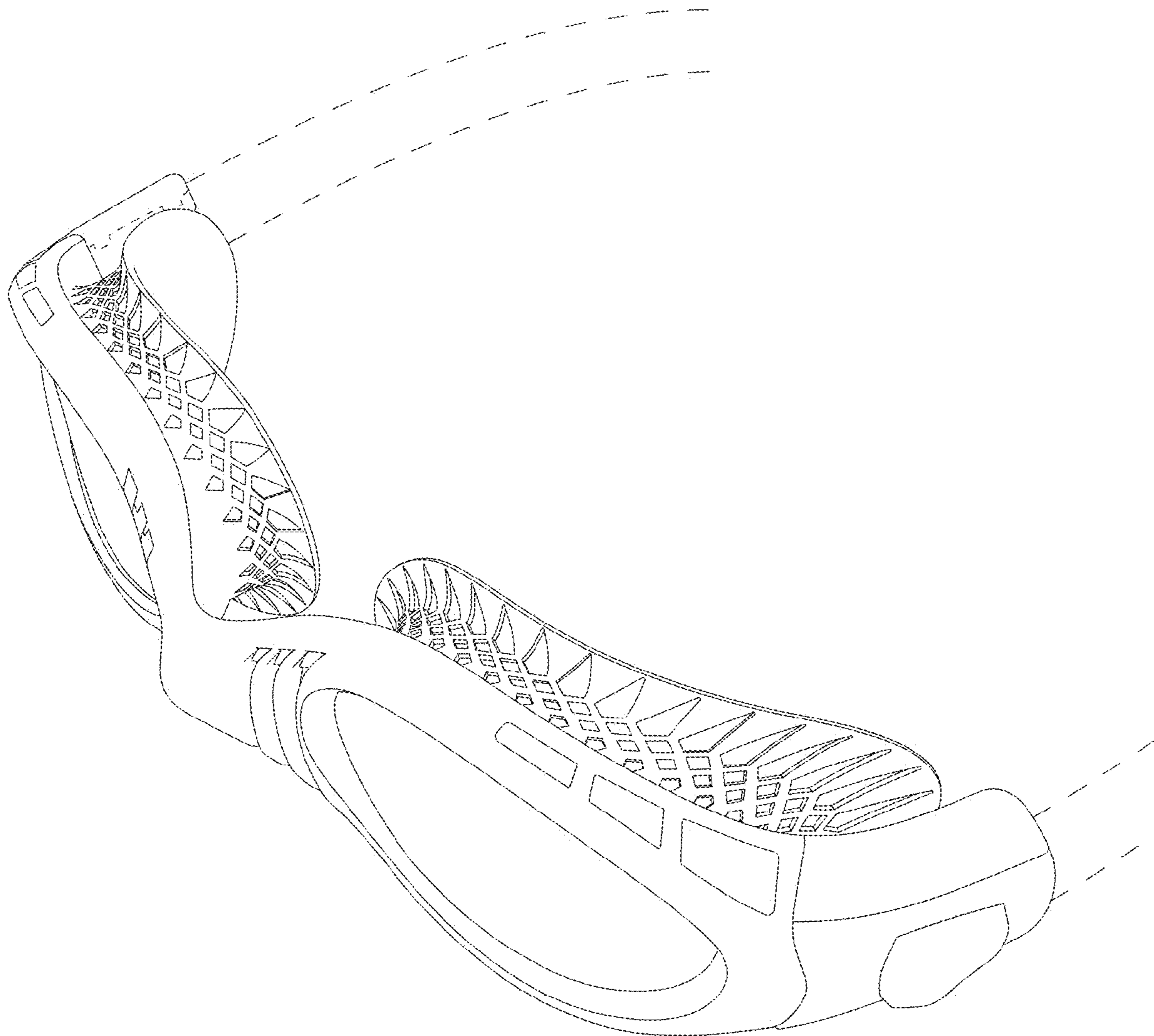


FIG. 1

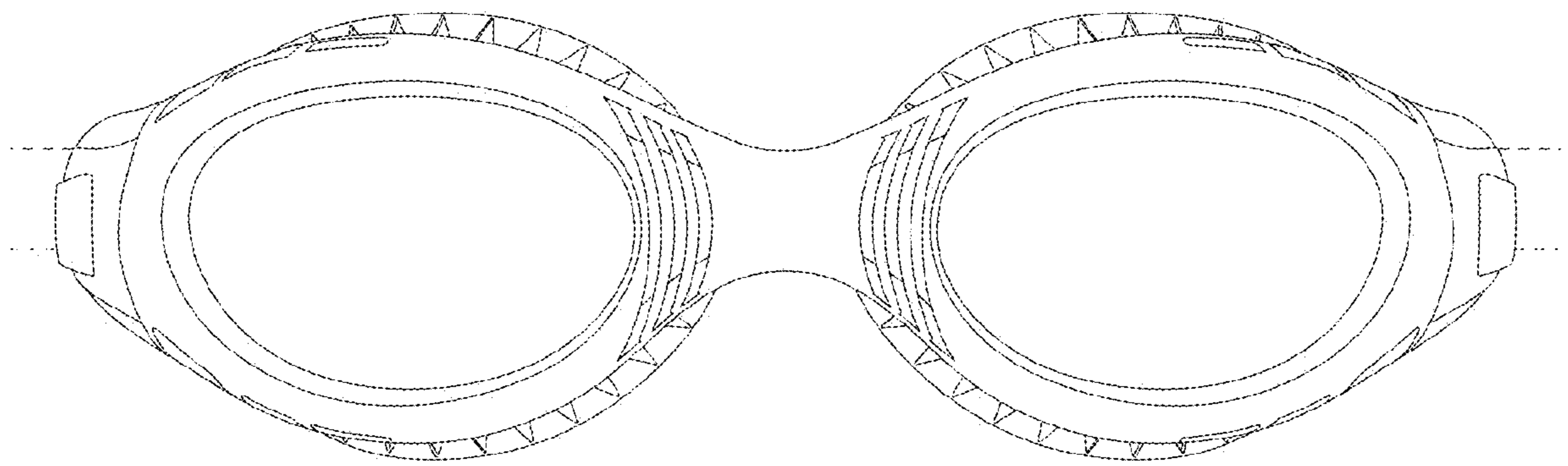


FIG. 2

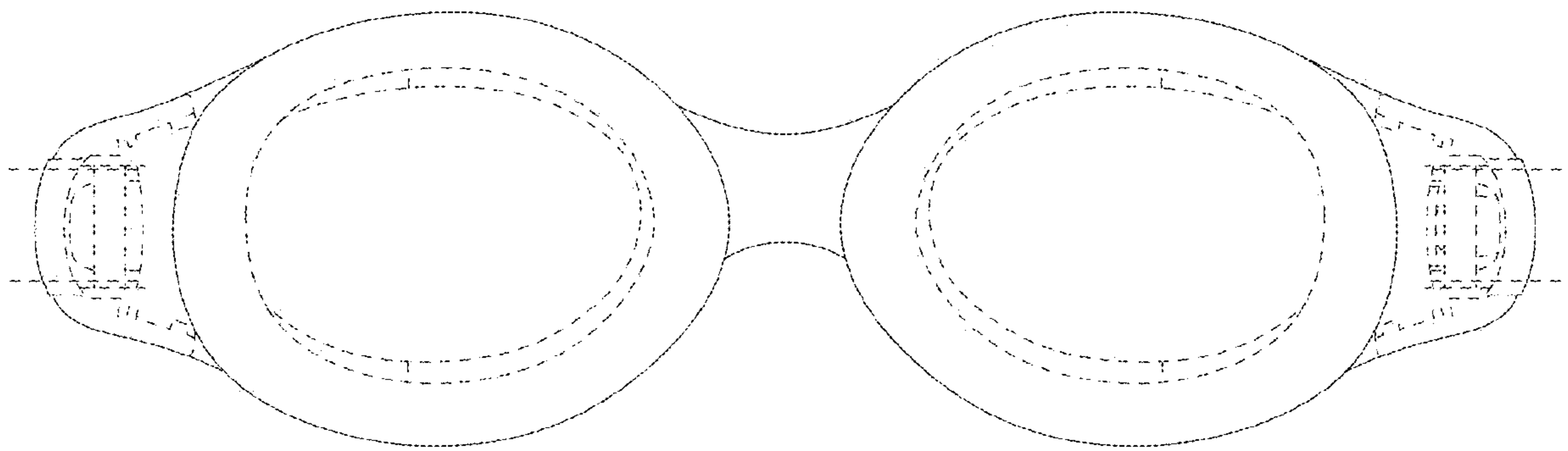


FIG. 3

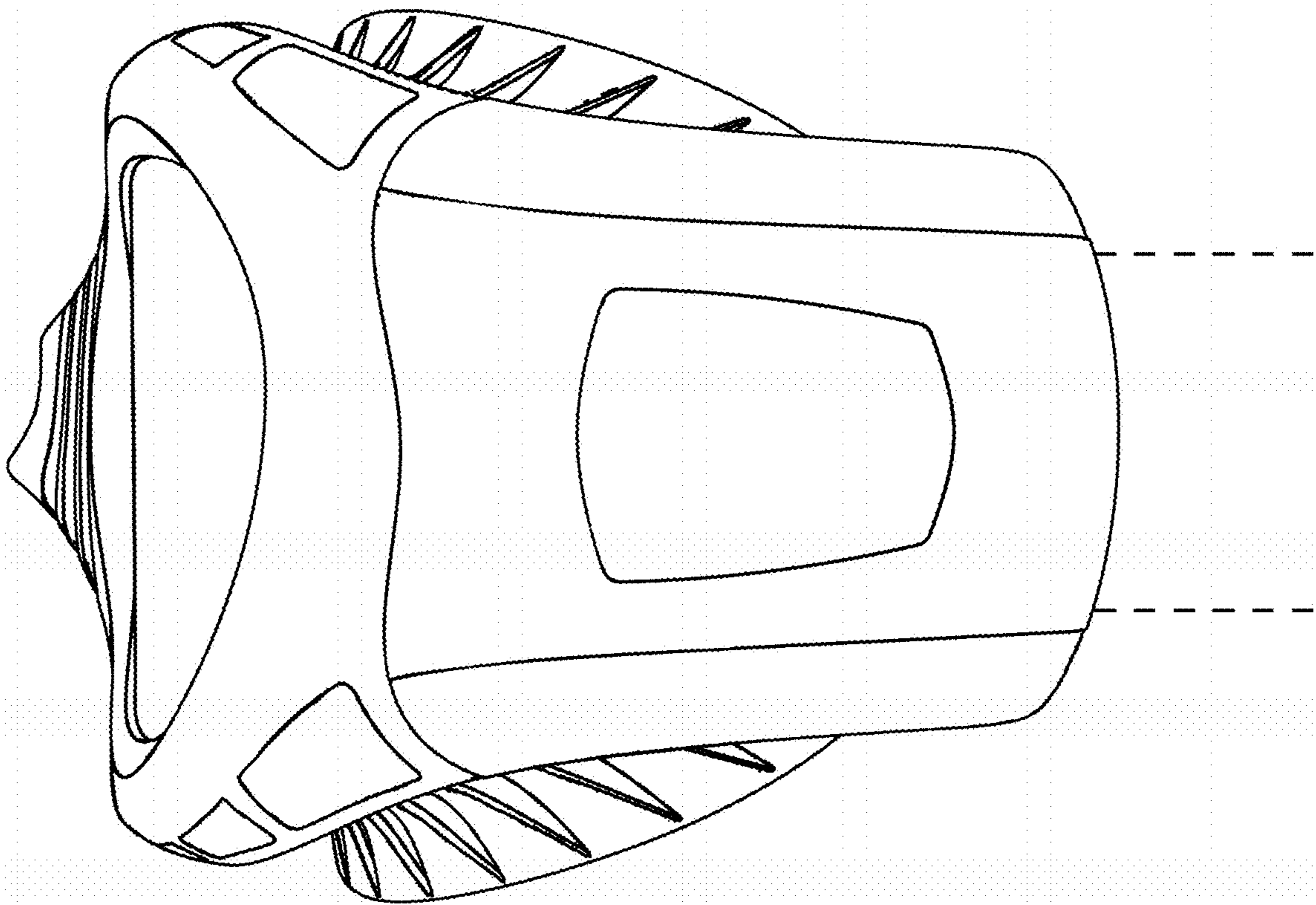


FIG. 4

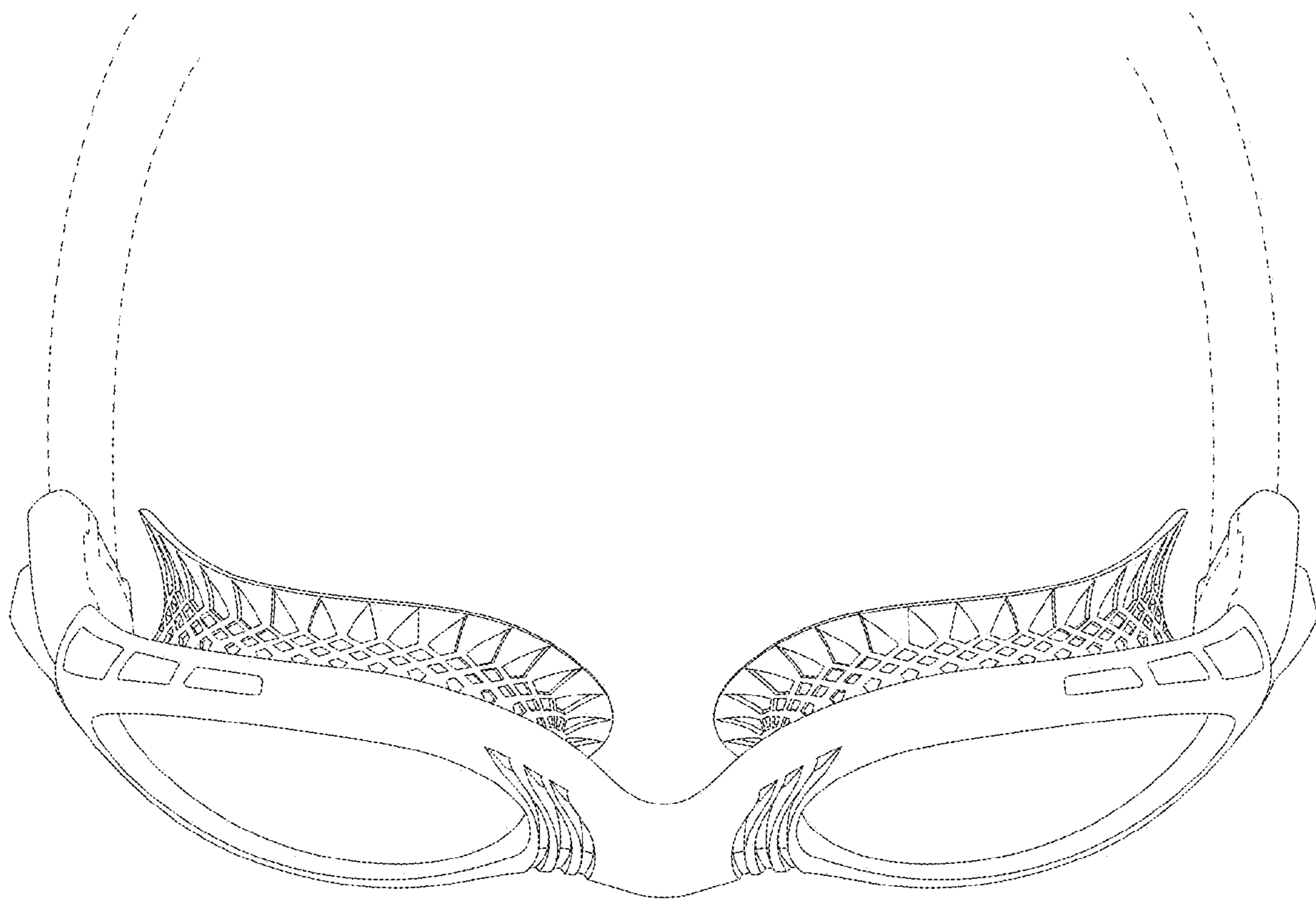


FIG. 5

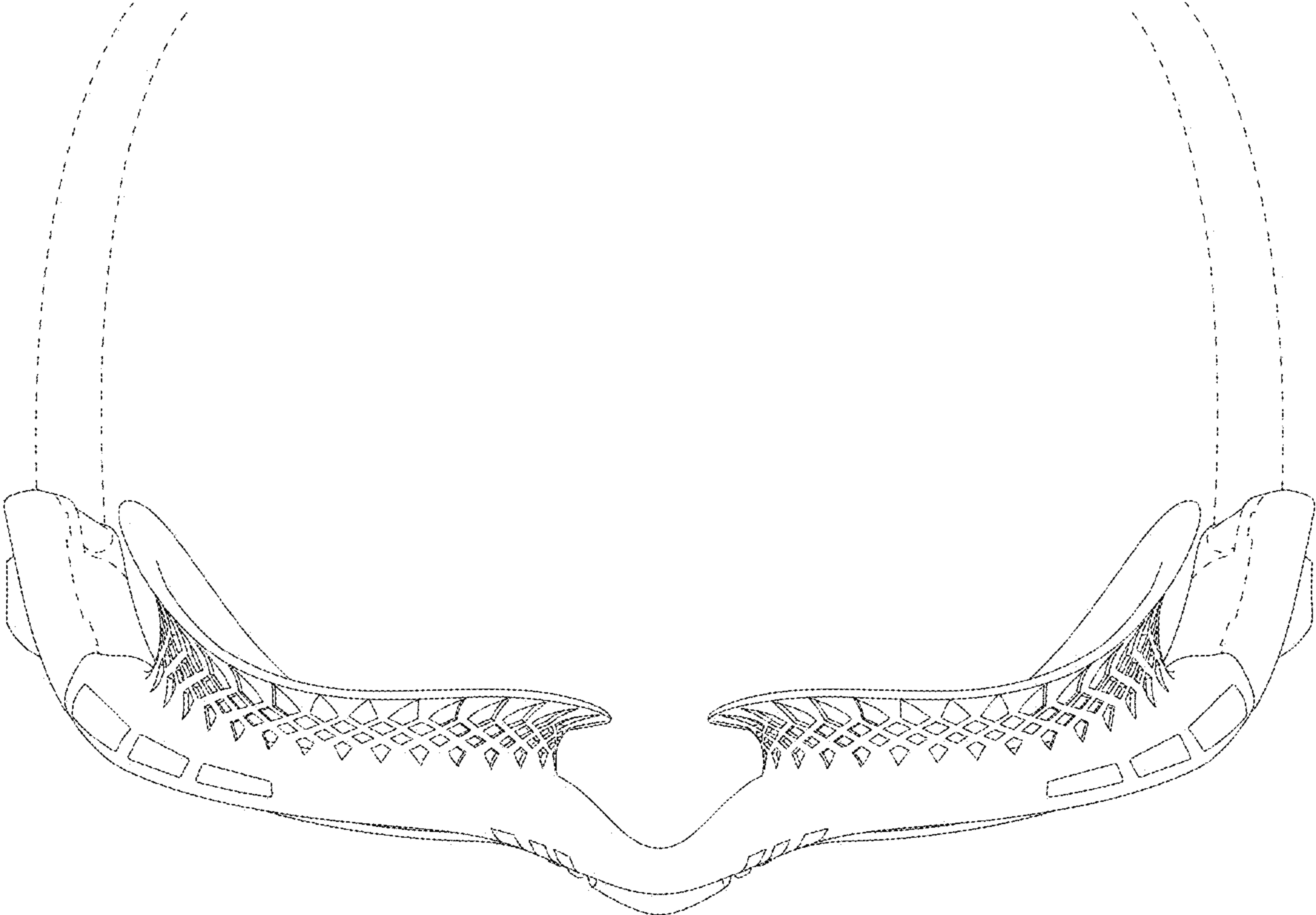


FIG. 6