



US00D885472S

(12) **United States Design Patent** (10) **Patent No.:** **US D885,472 S**
Johnson et al. (45) **Date of Patent:** **** May 26, 2020**

(54) **SWIMMING GOGGLES**
(71) Applicant: **Speedo International Limited**, London (GB)
(72) Inventors: **Chris Johnson**, London (GB); **Nathan Tomlinson**, London (GB)
(73) Assignee: **Speedo International Limited**, London (GB)

D613,787 S * 4/2010 Chiang D16/303
D633,549 S * 3/2011 Chiang D16/303
D649,176 S * 11/2011 Booker D16/303
D695,334 S * 12/2013 Waller D16/311
D809,055 S * 1/2018 Tracy D16/311
D820,345 S * 6/2018 Chiang D16/303
D820,346 S * 6/2018 Chiang D16/303
(Continued)

(**) Term: **15 Years**

(21) Appl. No.: **29/644,701**

(22) Filed: **Apr. 19, 2018**

(30) **Foreign Application Priority Data**

Oct. 20, 2017 (EM) 004415628-0001

(51) **LOC (12) Cl.** **16-06**

(52) **U.S. Cl.**
USPC **D16/303**; D16/311

(58) **Field of Classification Search**
USPC D16/300, 301, 302, 303
CPC A63B 33/002; G02C 5/08; G02C 5/006;
G02C 1/08
See application file for complete search history.

(56) **References Cited**

U.S. PATENT DOCUMENTS

D504,455 S * 4/2005 Chiang D16/303
D504,457 S * 4/2005 Chiang D16/303
D523,059 S * 6/2006 Chiang D16/303
D523,060 S * 6/2006 Chiang D16/303
D524,842 S * 7/2006 Chiang D16/303
7,146,654 B2 * 12/2006 Chiang A63B 33/002
2/428
D555,702 S * 11/2007 Chiang D16/311
D569,410 S * 5/2008 Chiang D16/303
D576,660 S * 9/2008 Chiang D16/311
D585,473 S * 1/2009 Chiang D16/311

FOREIGN PATENT DOCUMENTS

GB 2480854 A * 12/2011 A63B 33/002

OTHER PUBLICATIONS

Aqua Sphere Kaiman Swim Goggle, posted at amazon.com, posting date Mar. 5, 2014, [online], [site visited Oct. 4, 2019]. Available from Internet, URL: <https://www.amazon.com/Aqua-Sphere-Kaiman-Goggle-Italy/dp/B000ENSTCE/> (Year: 2014).*

(Continued)

Primary Examiner — George D. Kirschbaum
Assistant Examiner — Maria J Edwards
(74) *Attorney, Agent, or Firm* — Fross Zelnick Lehrman & Zissu, P.C.; Charles T. J. Weigell

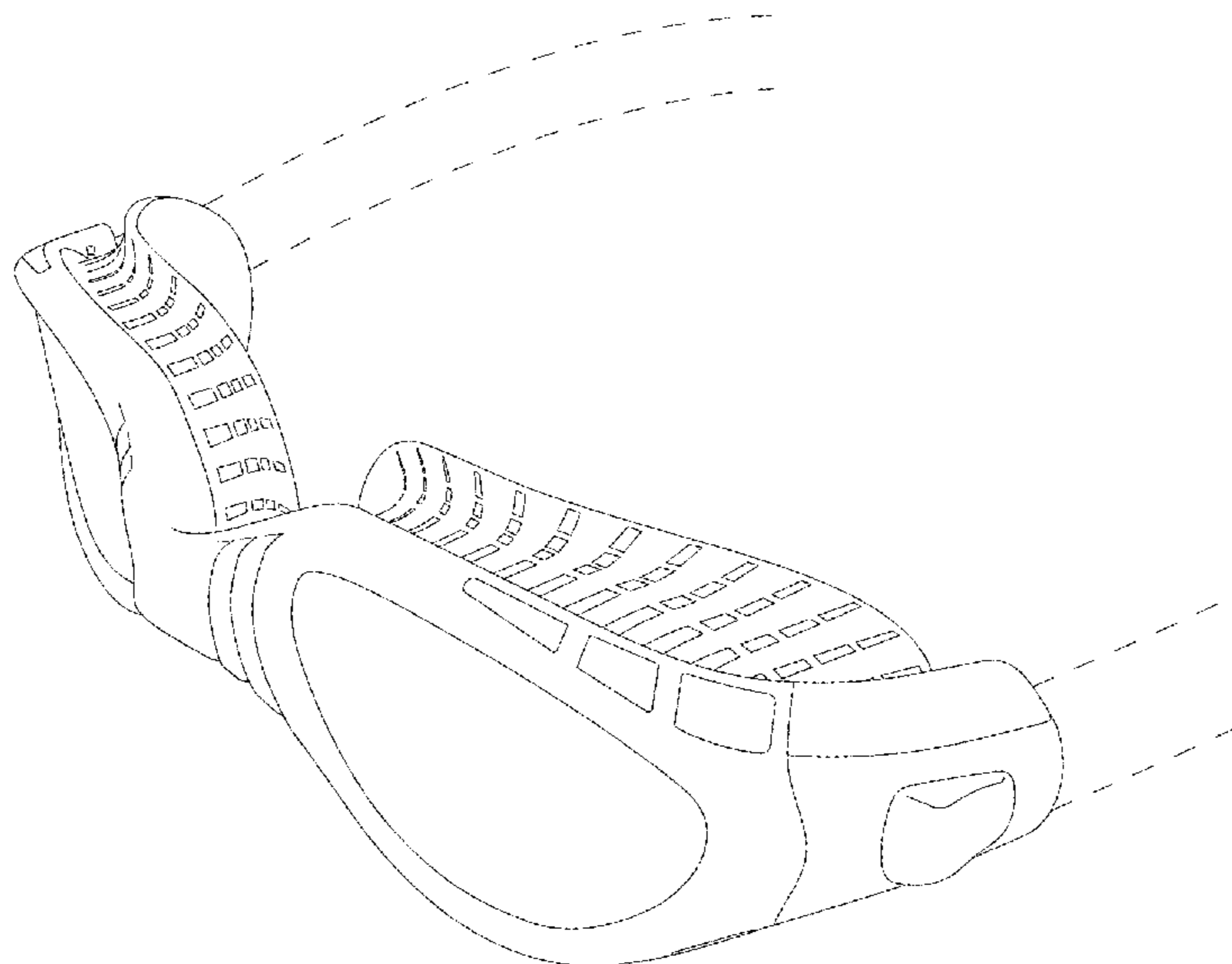
(57) **CLAIM**

The ornamental design for swimming goggles, as shown and described.

DESCRIPTION

FIG. 1 is a front perspective view of swimming goggles showing our new design;
FIG. 2 is a front elevational view thereof;
FIG. 3 is a rear elevational view thereof;
FIG. 4 is a left side elevational view thereof;
FIG. 5 is a top plan view thereof; and,
FIG. 6 is a bottom plan view thereof.
The broken lines showing a strap and the inner portion of the seals in FIG. 3, form no part of the claimed design.

1 Claim, 6 Drawing Sheets



(56)

References Cited

U.S. PATENT DOCUMENTS

2008/0189837 A1* 8/2008 Chiang A63B 33/002
2/431
2012/0096632 A1* 4/2012 Chou A63B 33/002
2/452
2017/0197117 A1* 7/2017 Shiue A63B 33/002
2019/0015705 A1* 1/2019 Chiang A63B 33/002

OTHER PUBLICATIONS

Speedo Futura Biofuse Flexiseal Swim Goggle, posted at amazon.com, posting date Oct. 4, 2018, [online], [site visited Oct. 4, 2019]. Available from Internet, URL: <https://www.amazon.com/Speedo-Futura-Biofuse-Flexiseal-Goggle/dp/B07K77GWLW> (Year: 2018).*

Speedo S117 Futura Biofuse Goggles, posted at youtube.com, posting date Feb. 2, 2017, [online], [site visited Oct. 4, 2019]. Available from Internet, URL: <https://www.youtube.com/watch?v=rodR7u8I2PY> (Year: 2019).*

* cited by examiner

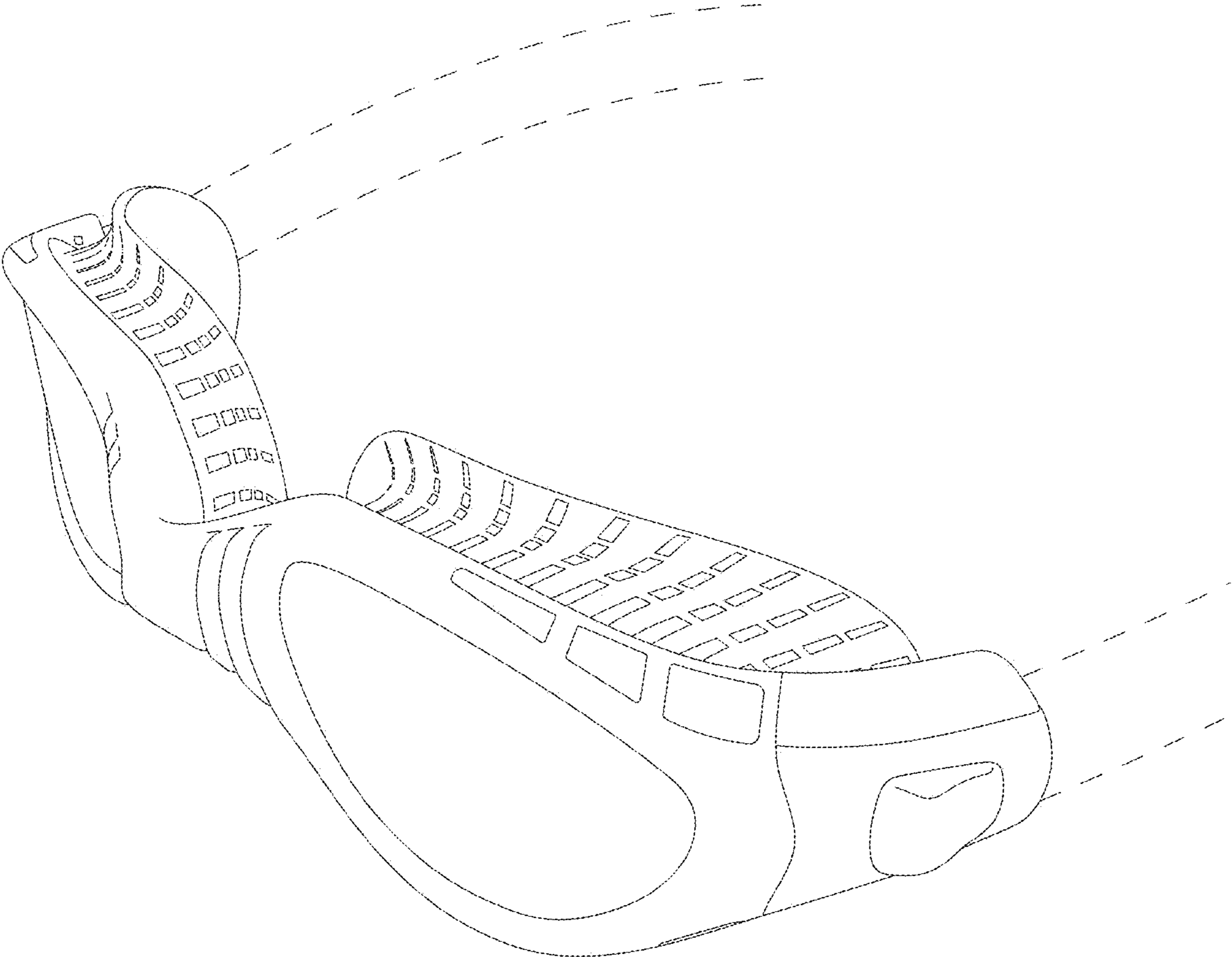


FIG. 1

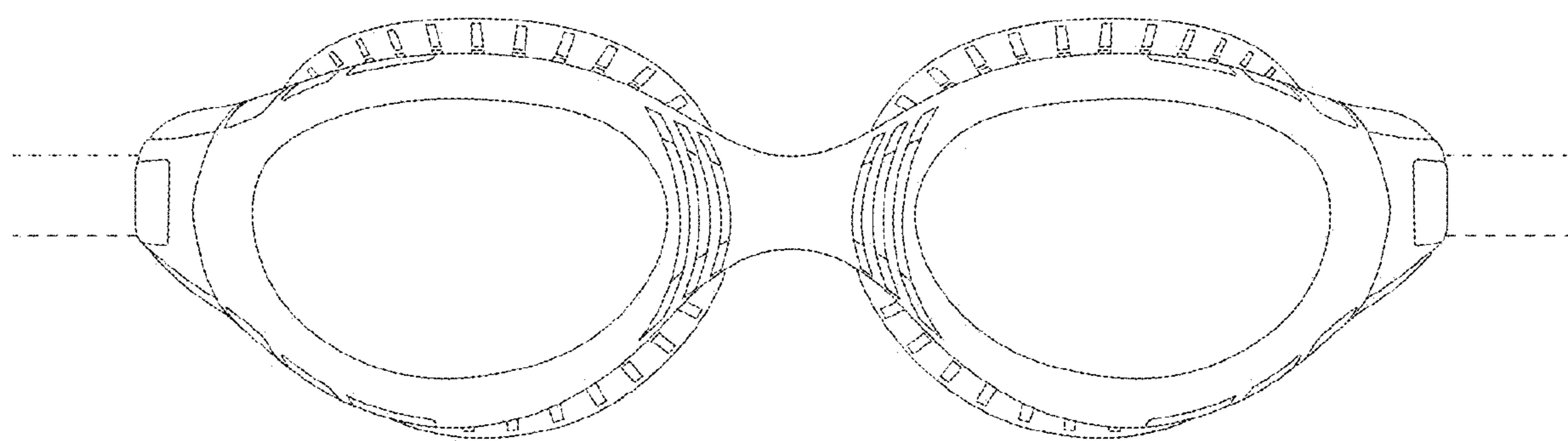


FIG. 2

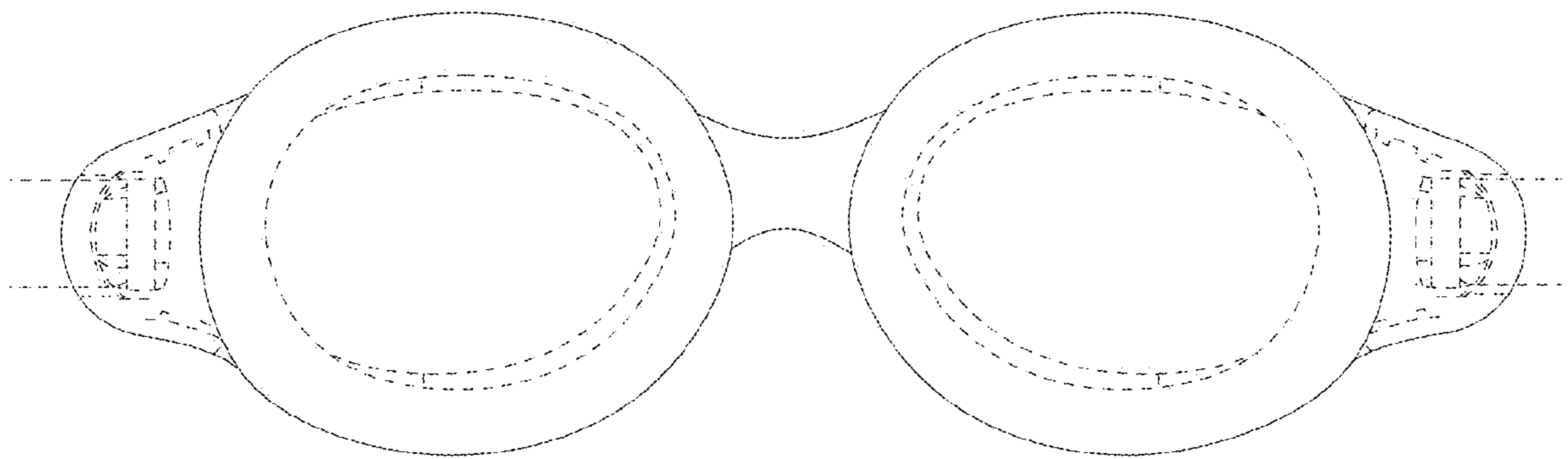


FIG. 3

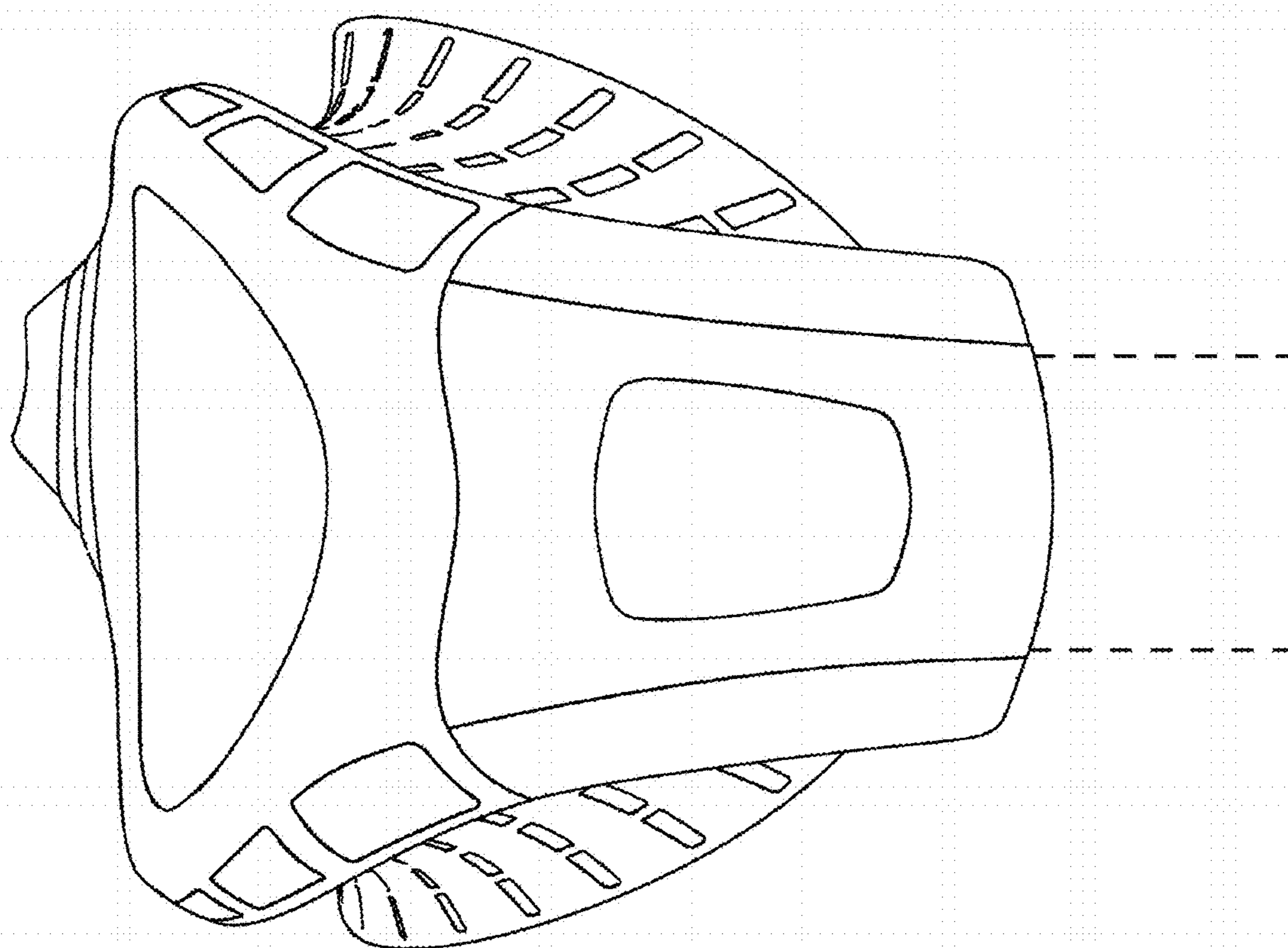


FIG. 4

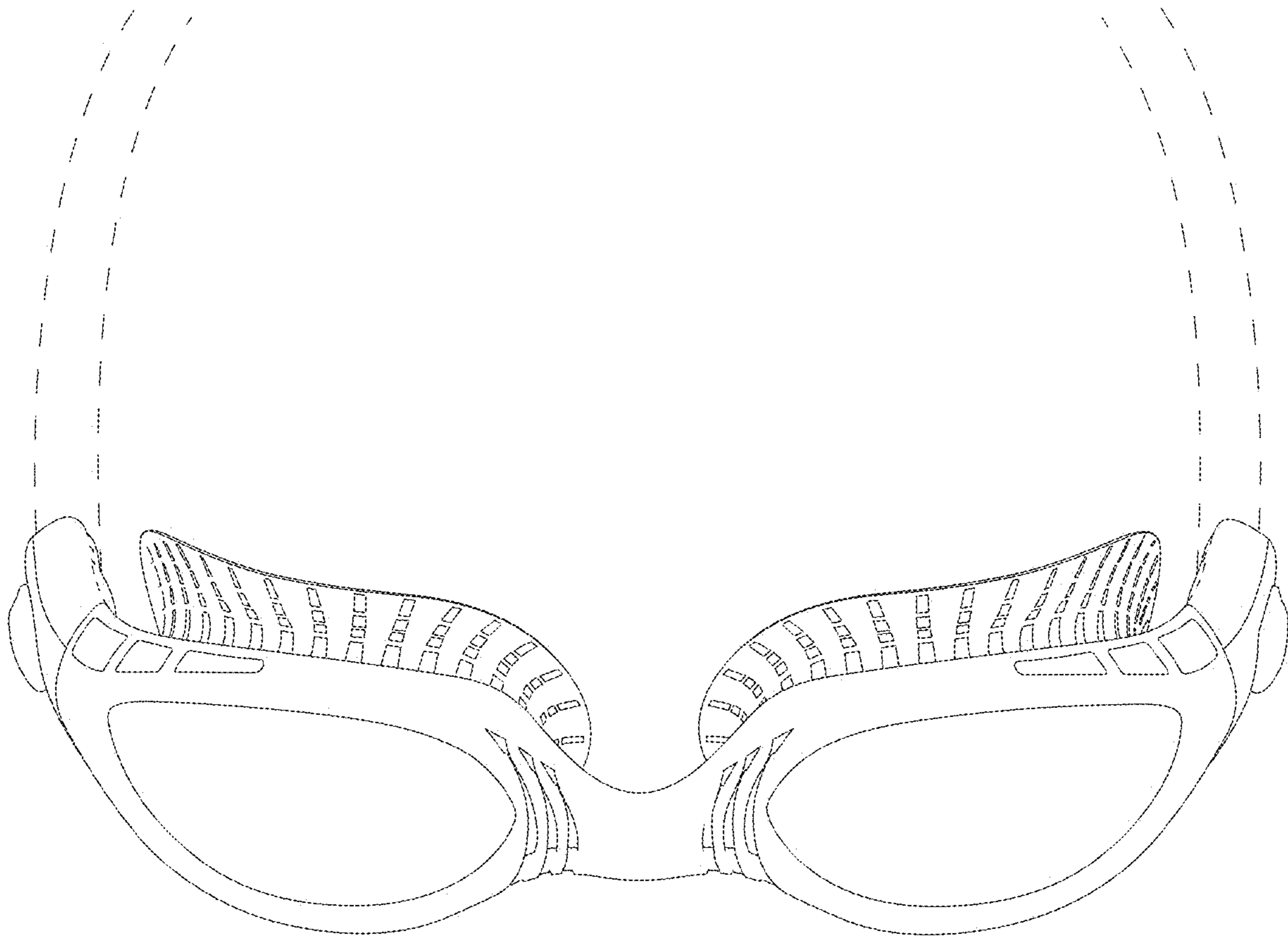


FIG. 5



FIG. 6