



US00D885471S

(12) **United States Design Patent**
Fried

(10) **Patent No.:** **US D885,471 S**

(45) **Date of Patent:** **** May 26, 2020**

(54) **CAMERA MOUNT**

(71) Applicant: **Isaac Fried**, Toms River, NJ (US)

(72) Inventor: **Isaac Fried**, Toms River, NJ (US)

(**) Term: **15 Years**

(21) Appl. No.: **29/723,004**

(22) Filed: **Feb. 4, 2020**

(51) **LOC (12) Cl.** **16-05**

(52) **U.S. Cl.**
USPC **D16/242**

(58) **Field of Classification Search**
USPC D16/203, 219, 237, 242–244; D8/363,
D8/373, 380; D26/86, 87, 145
CPC G03B 17/56; G03B 17/561–566; G02B
7/00–02

See application file for complete search history.

(56) **References Cited**

U.S. PATENT DOCUMENTS

- D308,389 S * 6/1990 Horn D16/219
- D345,099 S * 3/1994 Oakes D8/380
- D400,085 S * 10/1998 Haskin D8/363
- D445,819 S * 7/2001 Backs D16/242
- D486,173 S * 2/2004 Toste D16/242
- D495,590 S * 9/2004 Goodman D8/367
- D574,992 S * 8/2008 Citterio D26/87
- D620,038 S * 7/2010 Rix D16/242
- D641,773 S * 7/2011 Rix D16/242
- D651,068 S * 12/2011 Kang D8/363
- 9,057,934 B2 6/2015 Lellky et al.
- D734,379 S * 7/2015 Tankersley D16/203
- D744,321 S * 12/2015 Boynton D8/363
- D818,026 S * 5/2018 Ravat D16/203
- D824,446 S * 7/2018 Ravat D16/203
- D824,447 S * 7/2018 Li D16/203
- D825,638 S * 8/2018 Holbrook D16/203
- D831,875 S * 10/2018 Sperling D26/87
- D841,076 S * 2/2019 Wengreen D16/242
- D873,887 S * 1/2020 Rusz D16/203

- D873,888 S * 1/2020 Rusz D16/203
- D873,897 S * 1/2020 Wengreen D16/242
- D876,528 S * 2/2020 Sequeira de Sousa D16/242
- D877,961 S * 3/2020 Eads D26/87

FOREIGN PATENT DOCUMENTS

- CN 301433037 S 1/2011
- CN 303521301 S 12/2015

OTHER PUBLICATIONS

STH-P25WM STOic Wall Mount Bracket for 2.5" HD Mini PTZ Camera's. [online] Retrieved Apr. 16, 2020 from URL: https://ellipsesecurity.com/product/sth-p25wm-stoic-wall-mount-for-mini-ptz-camera/?gclid=CjwKCAjwhOD0BRAQEiwAK7JHmBjFW80FbWD88moYuVAwls6NjnJzwK-B5HAOVO8siUWpQGQeck5qORoCeaAQAvD_BwE.*

(Continued)

Primary Examiner — Vy N Koenig

(74) *Attorney, Agent, or Firm* — Bochner IP; Andrew D. Bochner

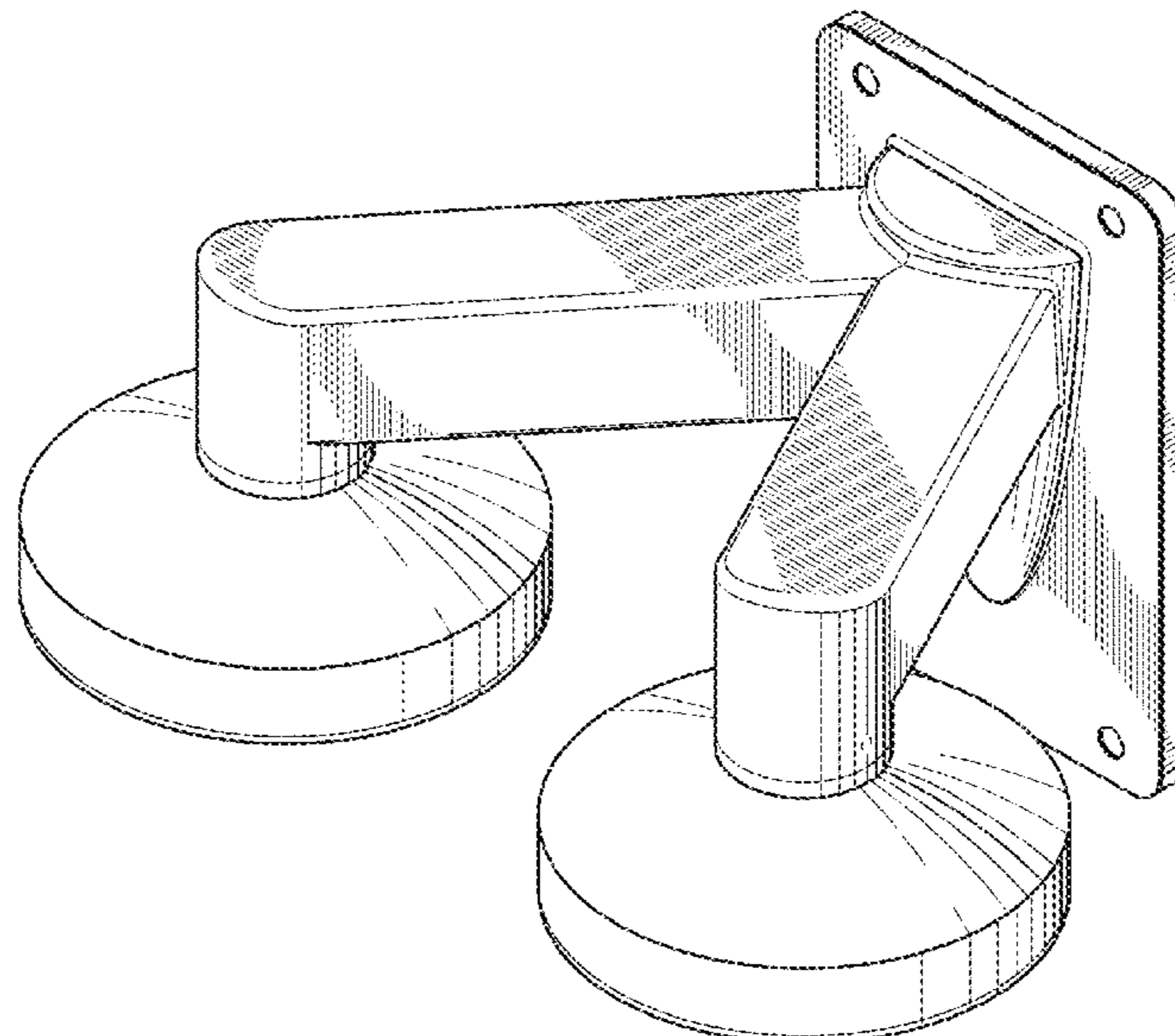
(57) **CLAIM**

The ornamental design for a camera mount, as shown and described.

DESCRIPTION

FIG. 1 is a top, front, right side perspective view of the camera mount;
FIG. 2 is a front elevation view thereof;
FIG. 3 is a rear elevation view thereof;
FIG. 4 is a left side elevation view thereof, the right side elevation view being a mirror image;
FIG. 5 is a top plan view thereof; and,
FIG. 6 is a bottom plan view thereof.
In the drawings, the broken lines are for the purpose of illustrating environment only, and form no part of the claimed design.

1 Claim, 3 Drawing Sheets



(56)

References Cited

OTHER PUBLICATIONS

Video Intercom Store, "Hik Wall mount DS-1273ZJ-140 DS-1273ZJ-PT6 for DS-2CD2385G1-I", Ali Express, Store home, retrieved on Feb. 7, 2020, pp. 4.

Hikvision, "Wall mount for dome camera, DS-1473ZJ-155B, 01000010701113", feature, dimension, retrieved on Feb. 7, 2020, pp. 1, available at: <https://www.hikvision.com/en/products/Accessories/CCTV-Accessories/Bracket/ds-1473zj-155b/>.

Stardot Technologies, "Stream H.264, M-JPEG and Analog", View a demo, where to buy, overview, retrieved on Feb. 7, 2020, pp. 1, available at: <http://www.stardot.com/products/stardot-netcam-sc-h264-panoramic-180-vandal-resistant-dome-camera>.

APEXCCTV, "InvidTech IUM-DRWM2 Ultra Series Large Dome Camera Wall Mount #2", security for your home, Retrieved on Feb. 7, 2020, pp. 7, available at: <https://www.apexcctv.com/invid-tech-ium-drwm2-ultra-series-large-dome-camera-wall-mount-2/>.

Innovative Video Technology, "IUM-DIWM1: Junction Box", Invid Tech, Ultra Series, Dome Wall Mount #1, Empire Theme by Pixel Union, retrieved on Feb. 7, 2020, pp. 2, available at: <https://invidtech.com/collections/mounts/products/ium-diwm1-junction-box>.

Hikvision, "120 wall mounting bracket for mini dome camera", DS-1272ZJ-120, feature, order model, retrieved on Feb. 7, 2020, pp. 1, available at: <https://www.hikvision.com/en/products/Accessories/CCTV-Accessories/Bracket/DS-1272ZJ-120/>.

Hikvision, "Wall mount", 0100001080106, DS-1273ZJ-130-TRL, retrieved on Feb. 7, 2020, pp. 1, available at: <https://www.hikvision.com/en/products/Accessories/CCTV-Accessories/Bracket/DS-1273ZJ-130-TRL/>.

* cited by examiner

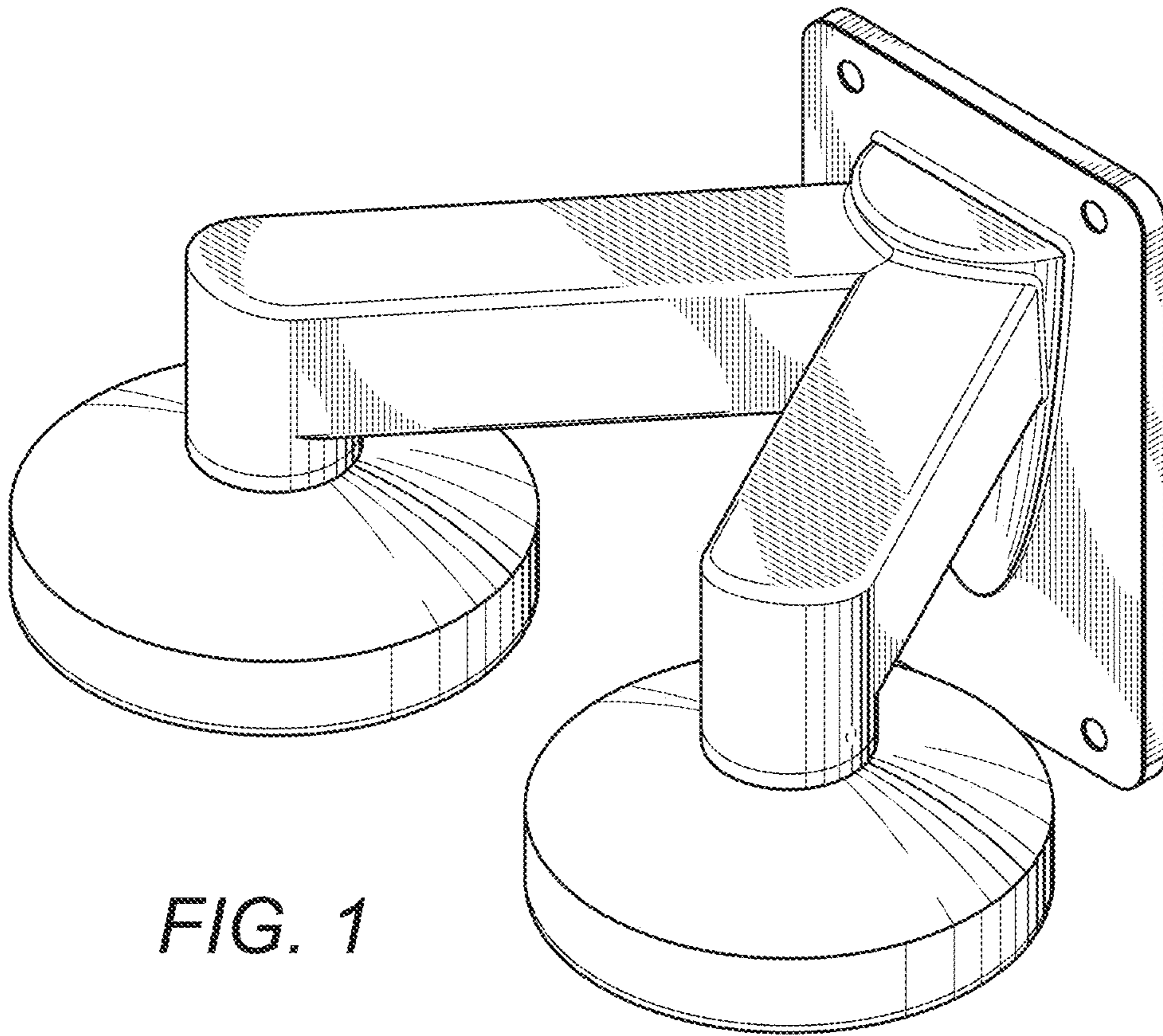


FIG. 1

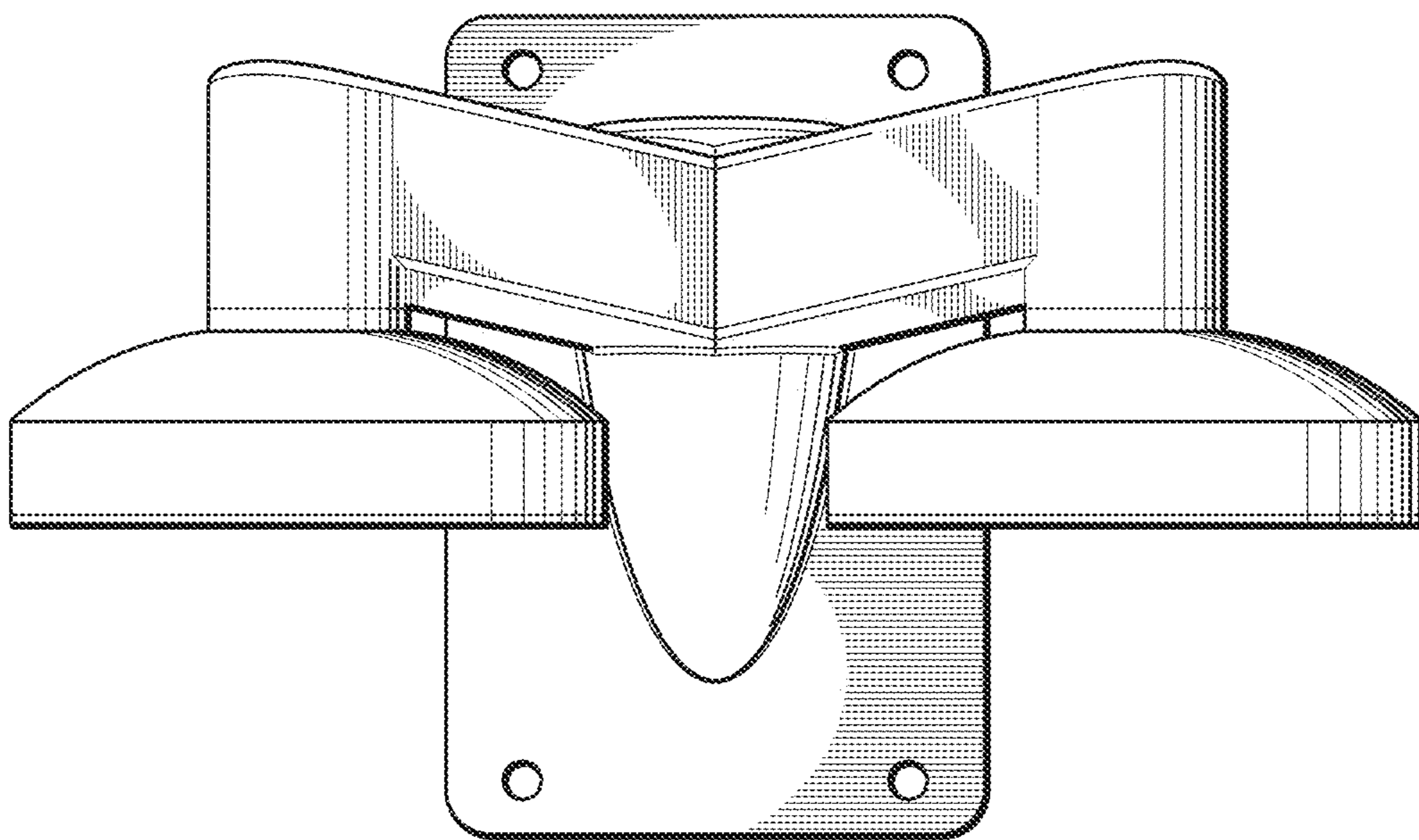


FIG. 2

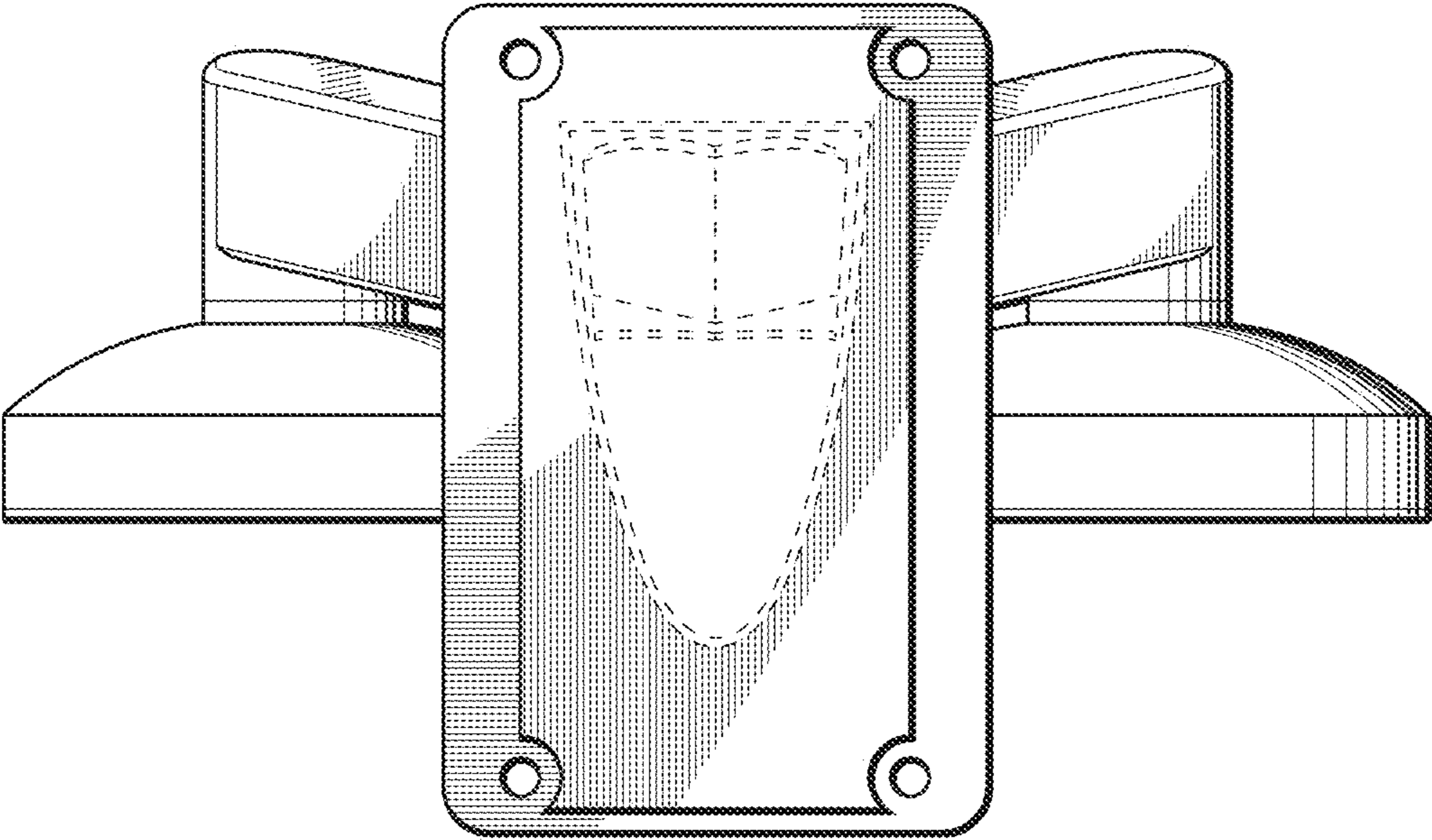


FIG. 3

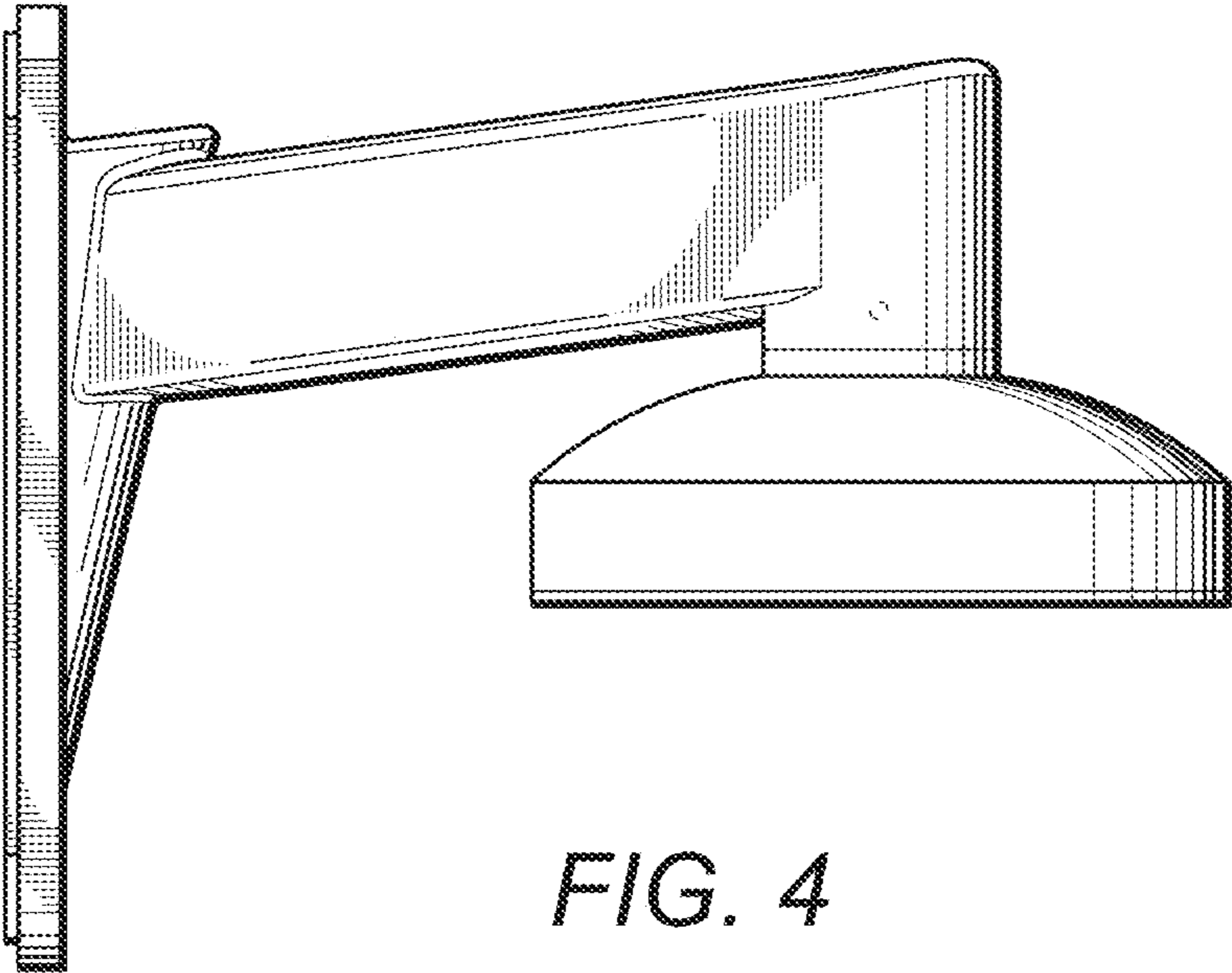


FIG. 4

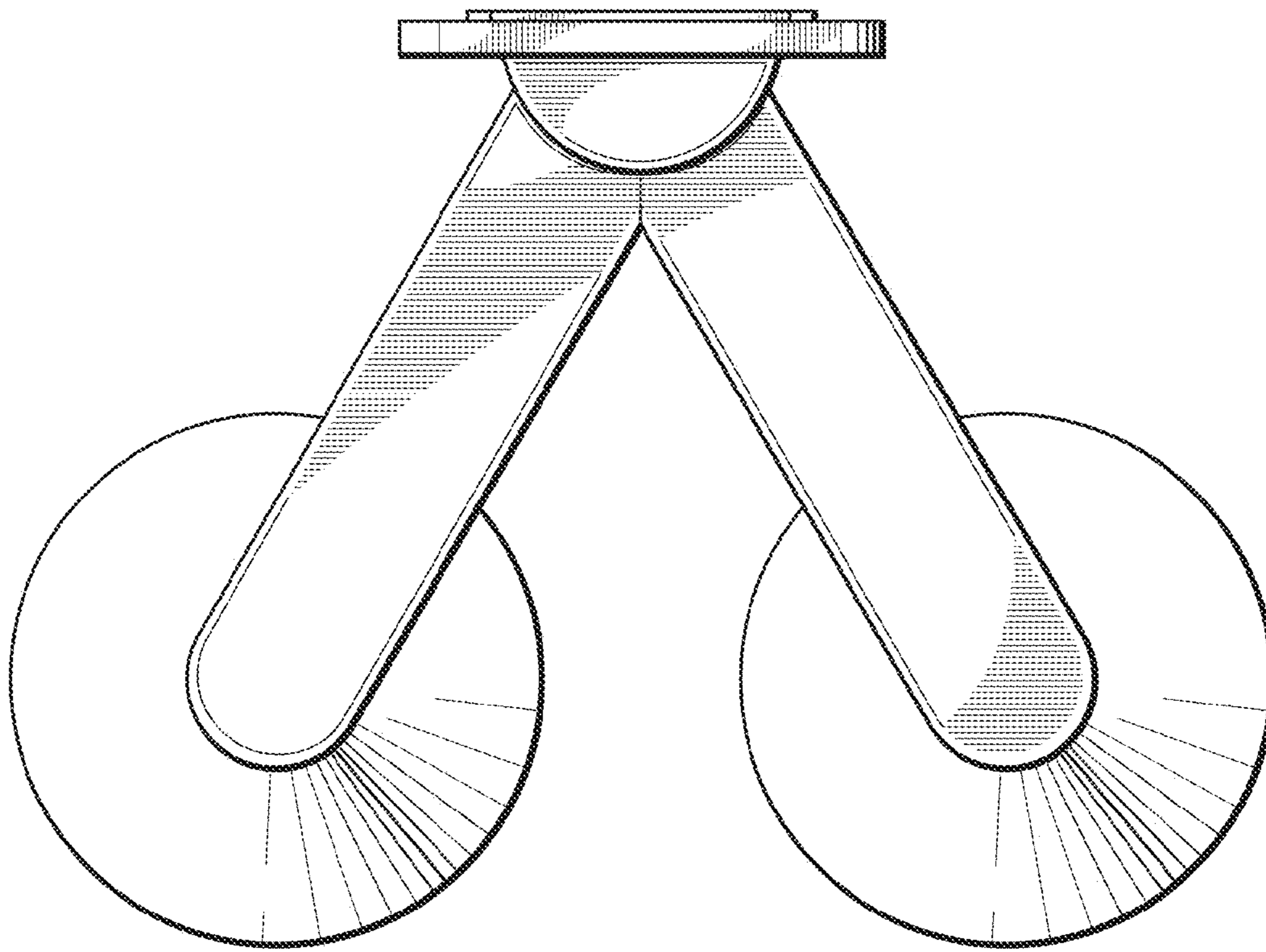


FIG. 5

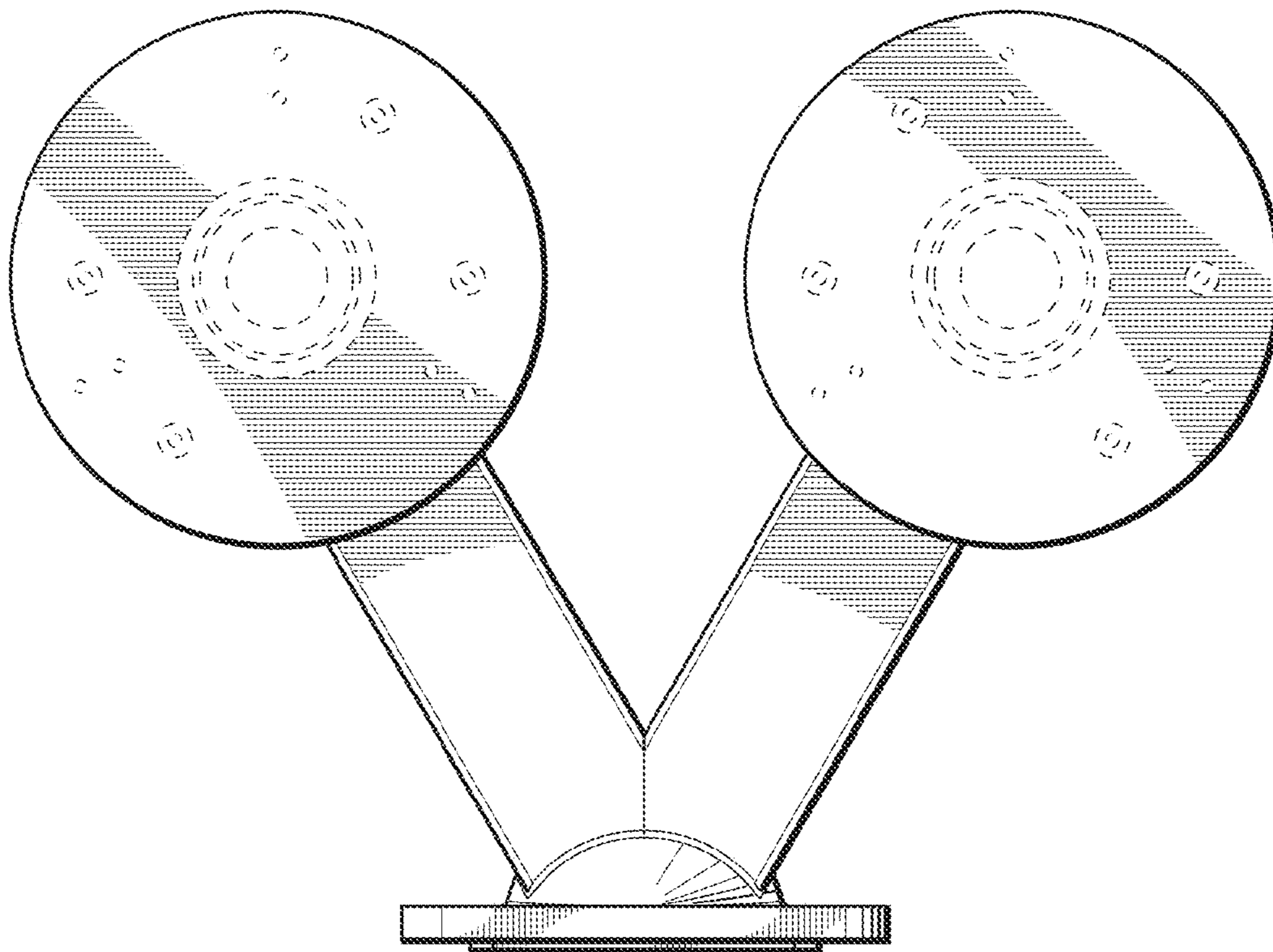


FIG. 6