



US00D885469S

(12) **United States Design Patent**
Chen

(10) **Patent No.:** **US D885,469 S**

(45) **Date of Patent:** **** May 26, 2020**

(54) **OUTSIDE SHOOTING LIGHT**

(71) Applicant: **Shenzhen Jike Digital Technology Co., Ltd.**, Shenzhen (CN)

(72) Inventor: **Zhuangxiaoyi Chen**, Shenzhen (CN)

(**) Term: **15 Years**

(21) Appl. No.: **29/683,705**

(22) Filed: **Mar. 15, 2019**

(51) **LOC (12) Cl.** **16-05**

(52) **U.S. Cl.**
USPC **D16/239**

(58) **Field of Classification Search**
USPC D16/219, 237–250; D8/354, 355, 363,
D8/373, 382–383, 394–396; D14/224,
D14/229, 238, 251, 253, 356, 447, 451,
D14/457
CPC A45F 5/00; A45F 5/10; A45F
2200/0508–0533; F16M 11/06–10; F16M
11/14; G02B 7/00–002; G03B 17/56;
G03B 17/561–566; H04N 5/2253–2254
See application file for complete search history.

(56) **References Cited**

U.S. PATENT DOCUMENTS

D689,538 S * 9/2013 Sato D16/239
D694,307 S * 11/2013 Isozaki D16/203
D711,953 S * 8/2014 Isozaki D16/202
8,992,102 B1 * 3/2015 Samuels G03B 17/02
396/419
9,625,714 B2 * 4/2017 Rousseau B60S 1/56
D789,438 S * 6/2017 Kim D16/237
D789,439 S * 6/2017 Inoue D16/237
10,215,951 B2 * 2/2019 Park G03B 17/55
10,250,784 B2 * 4/2019 Minikey, Jr. H04N 5/2252

D874,549 S * 2/2020 Loew D16/219
D874,550 S * 2/2020 Loew D16/219
D875,157 S * 2/2020 Laurino D16/203
2018/0084160 A1 * 3/2018 Miyashita G03B 17/04

OTHER PUBLICATIONS

Lume Cube Air LED Light LC-AIR11 B&H Photo Video. [online] Retrieved Mar. 10, 2020 from URL: https://www.bhphotovideo.com/c/product/1443159-REG/lume_cube_lc_air11_lume_cube_air_w_diffusion.html.
Flashpoint BLAZ 300 R2 Studio Monolight with Bowens Mount. [online] Retrieved Mar. 10, 2020 from URL: <https://www.adorama.com/fplfbl300b.html>.

* cited by examiner

Primary Examiner — Vy N Koenig
(74) *Attorney, Agent, or Firm* — ZANIP

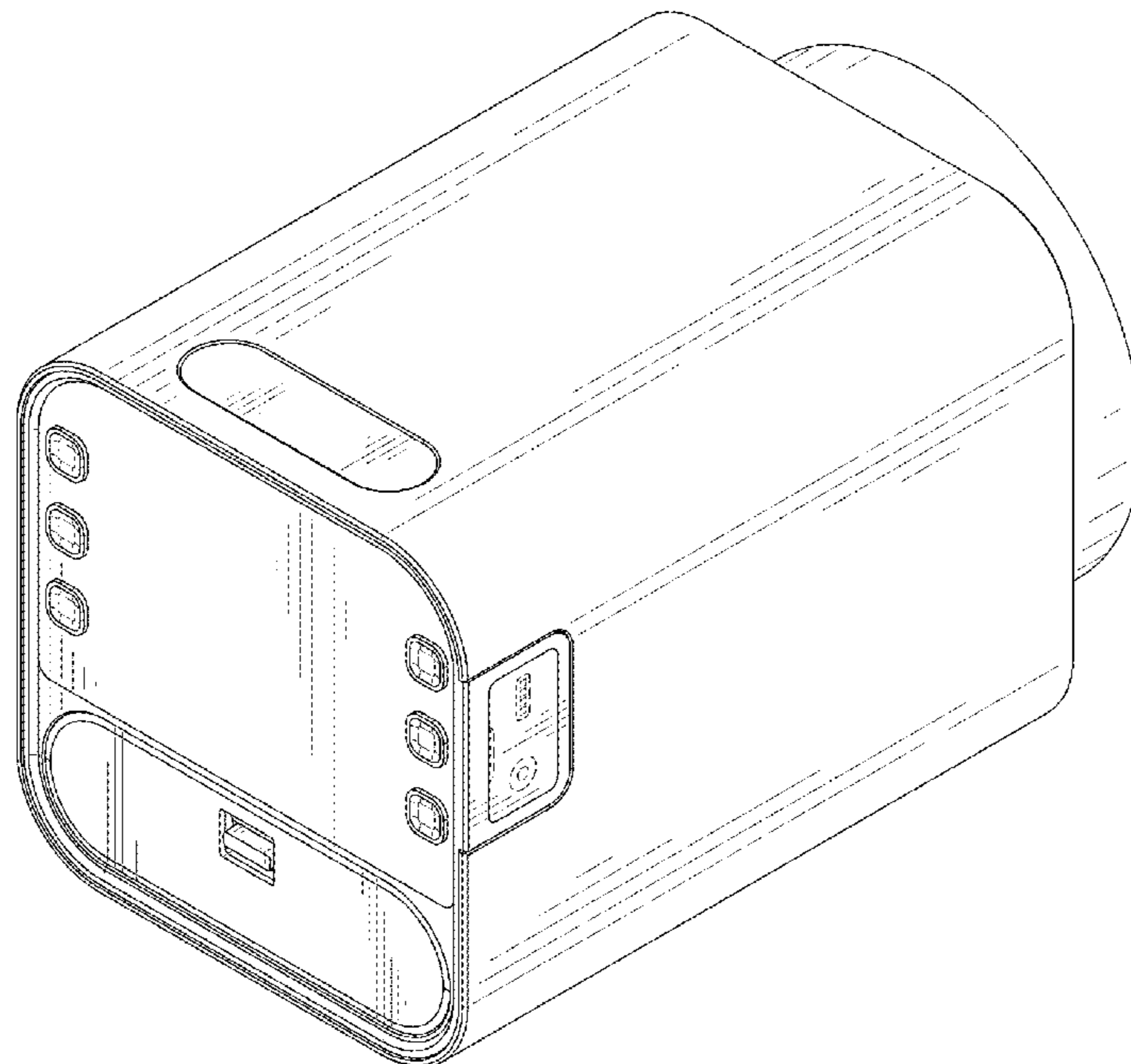
(57) **CLAIM**

The ornamental design for an outside shooting light, as shown and described.

DESCRIPTION

FIG. 1 is a first perspective view of an outside shooting light showing my design;
FIG. 2 is a second perspective view thereof;
FIG. 3 is a front view thereof;
FIG. 4 is a back view thereof;
FIG. 5 is a left side view thereof;
FIG. 6 is a right side view thereof;
FIG. 7 is a top view thereof; and,
FIG. 8 is a bottom view thereof.
The dashed or broken lines shown in the drawings depict portions of the outside shooting light in which the design is embodied that form no part of the claimed design.

1 Claim, 8 Drawing Sheets



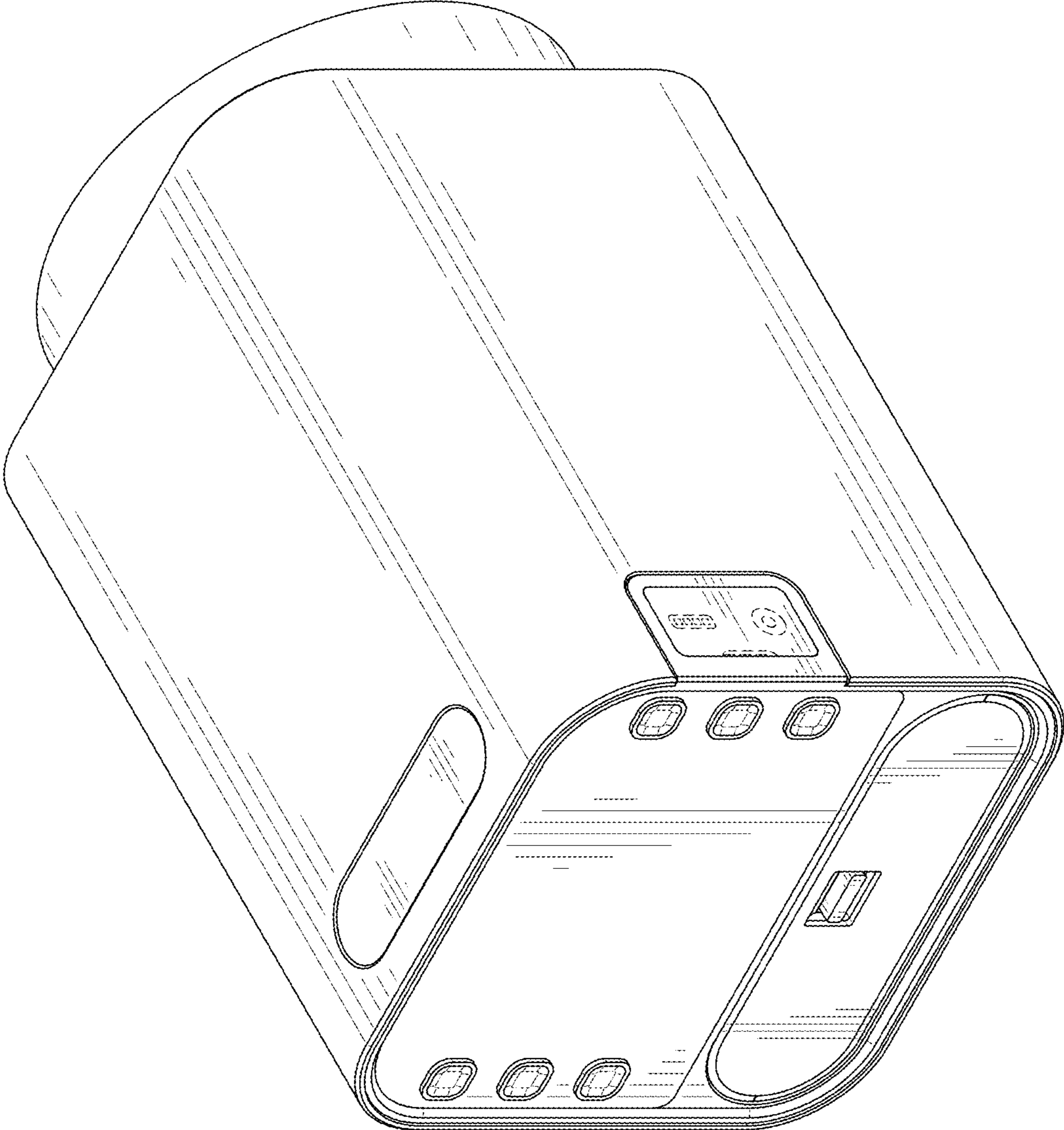


FIG. 1

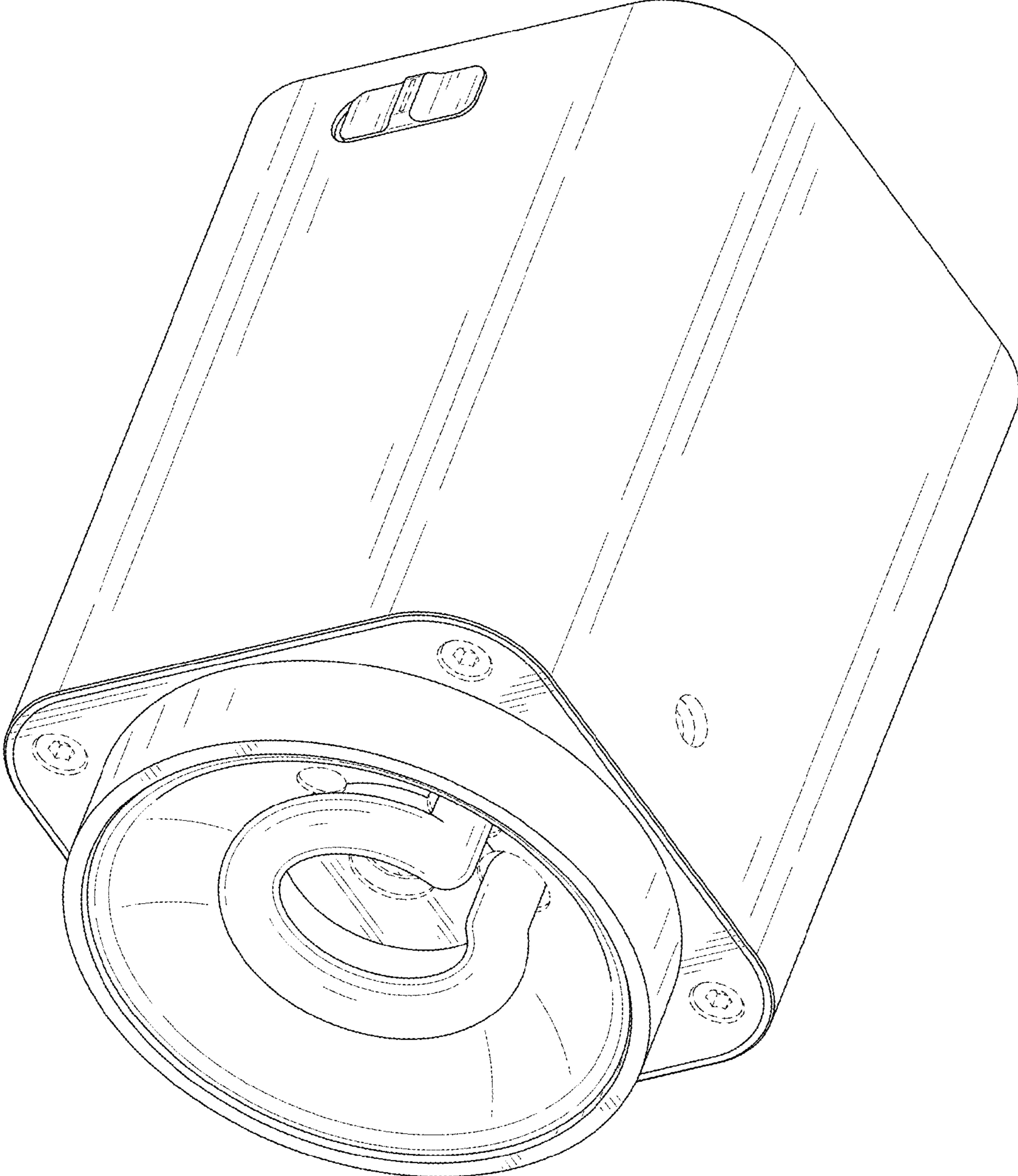


FIG. 2

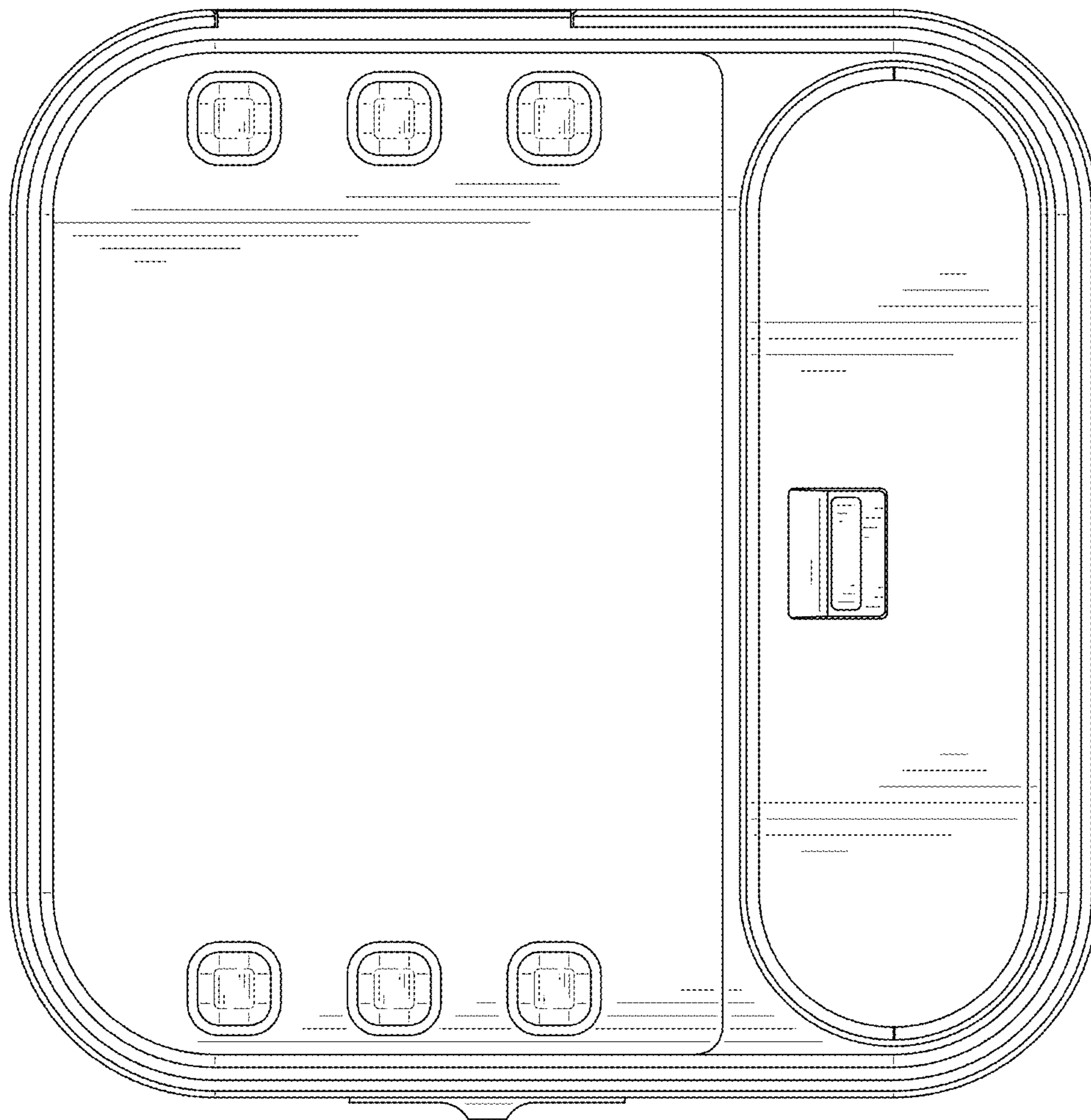


FIG. 3

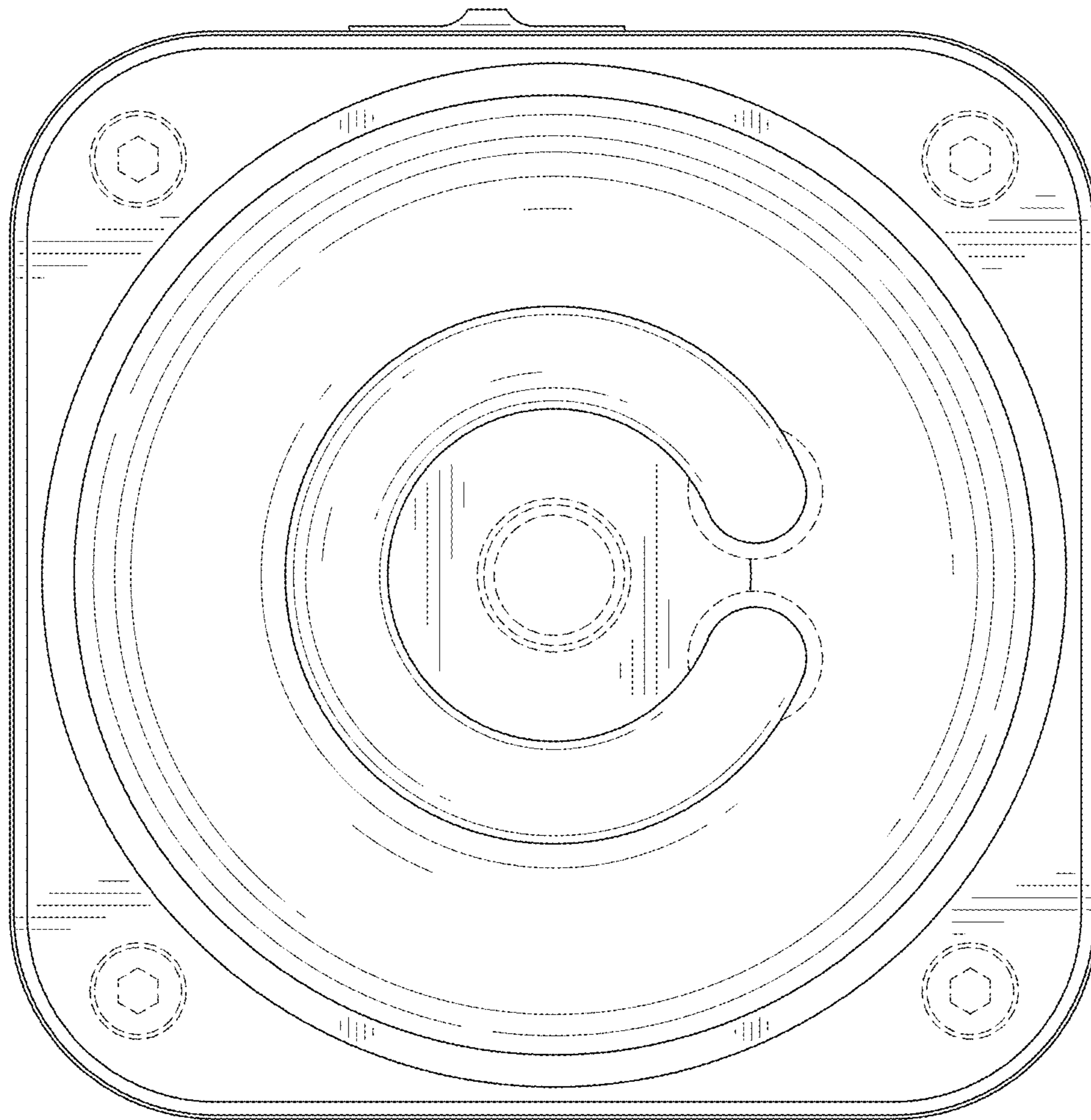


FIG. 4

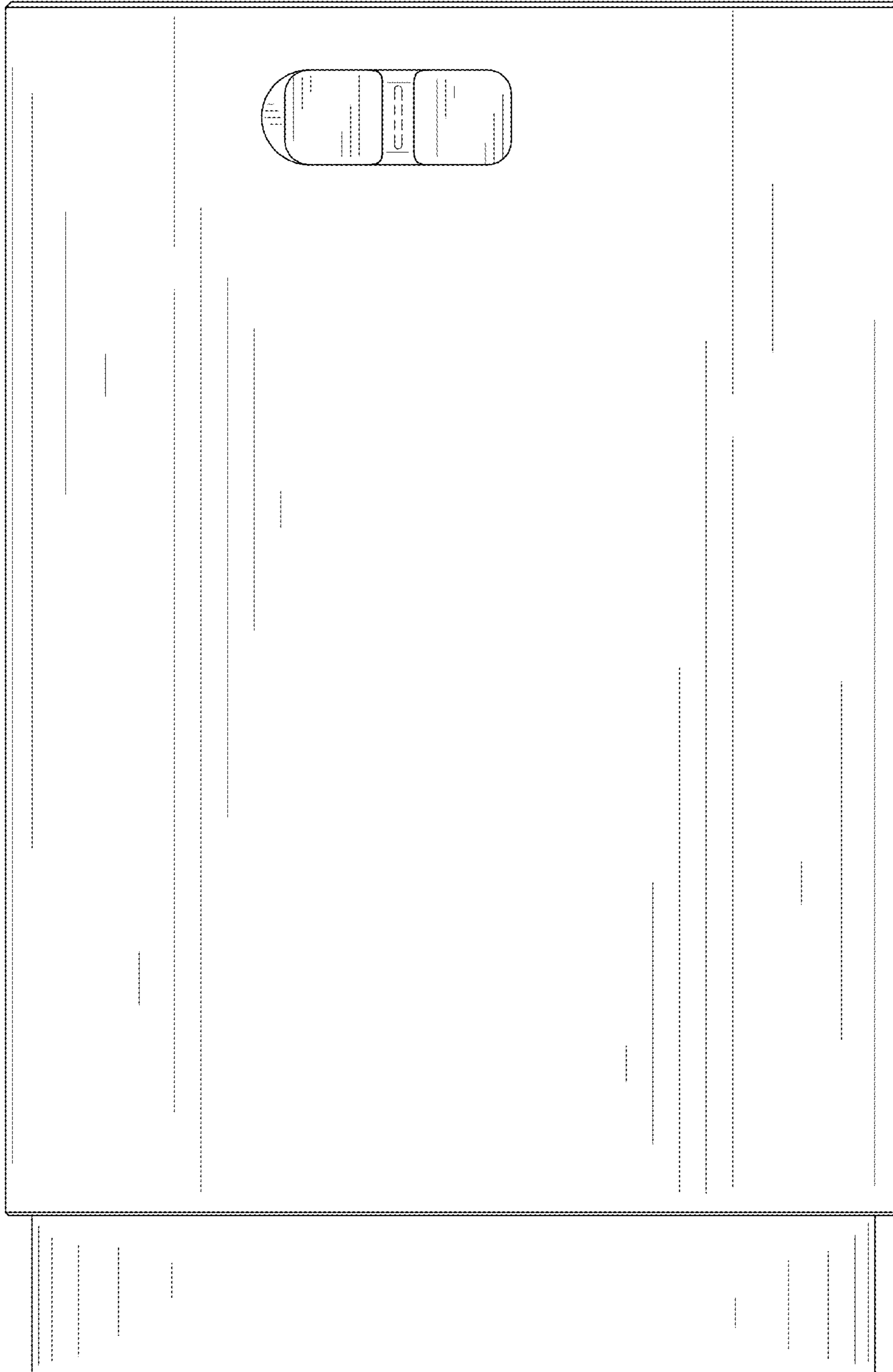


FIG. 5

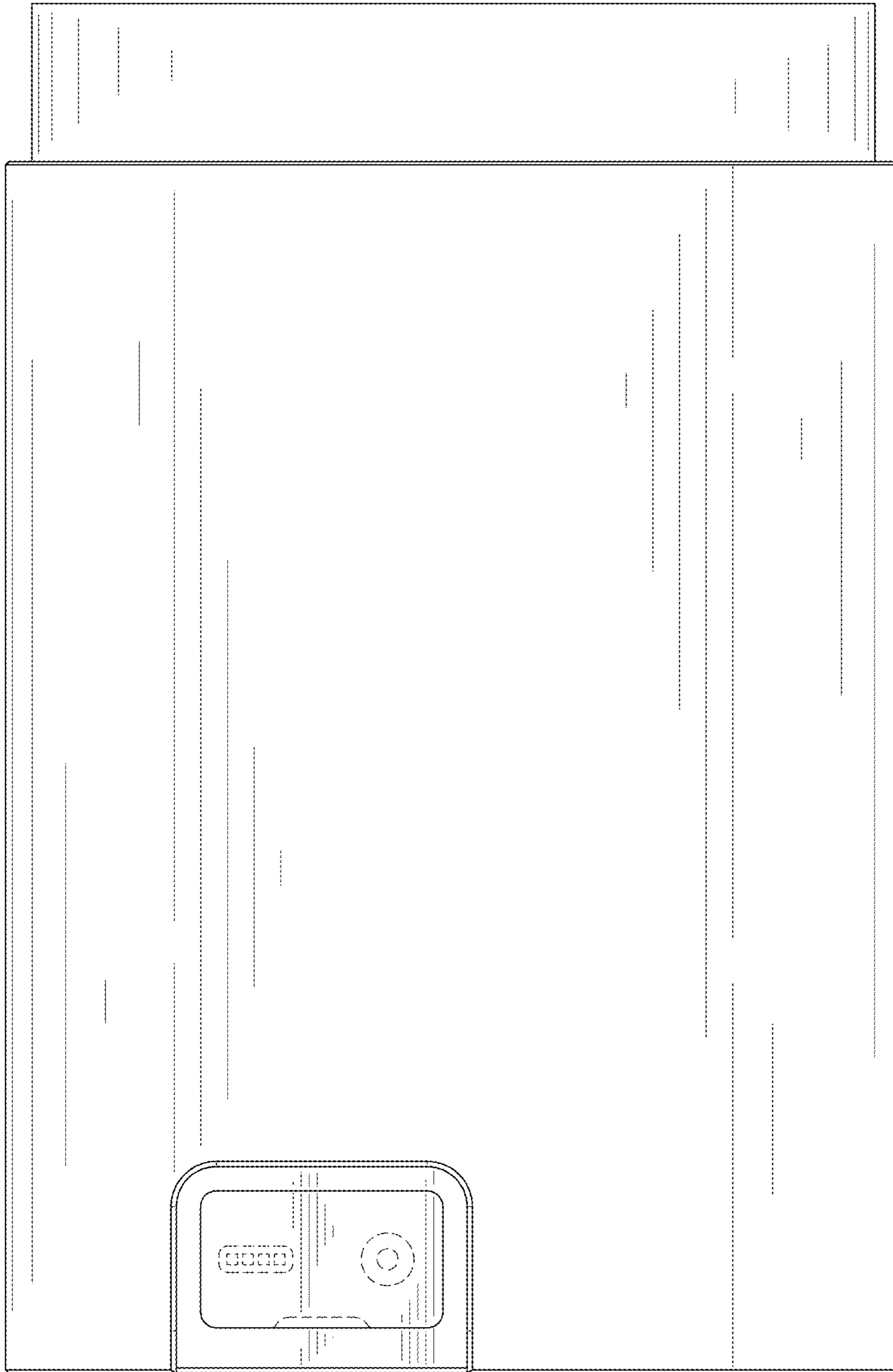


FIG. 6

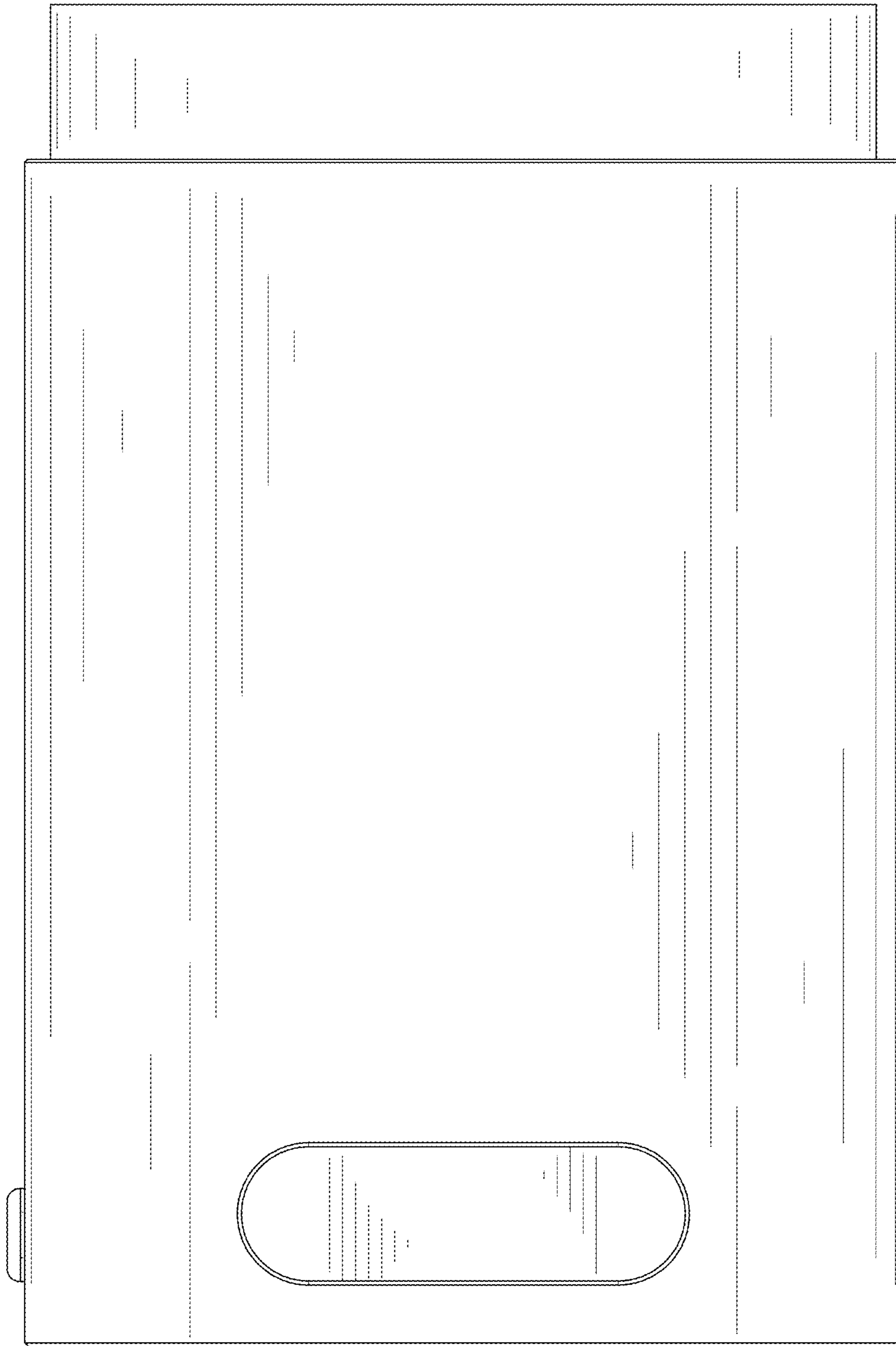


FIG. 7

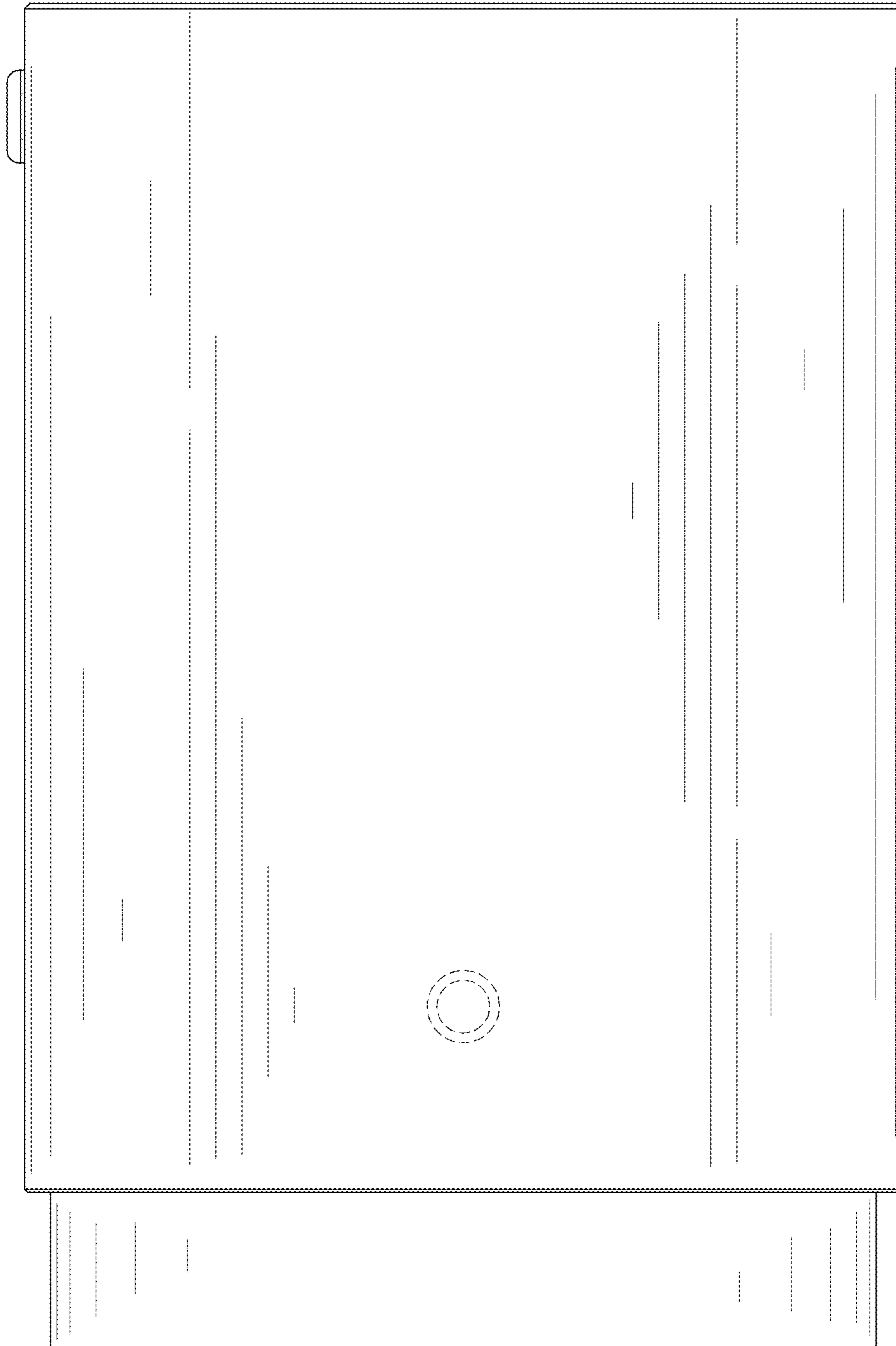


FIG. 8