



US00D885464S

(12) **United States Design Patent**
Kitade

(10) **Patent No.:** **US D885,464 S**

(45) **Date of Patent:** **** May 26, 2020**

(54) **DIGITAL CAMERA**

(71) Applicant: **Panasonic Intellectual Property Management Co., Ltd.**, Osaka-shi, Osaka (JP)

(72) Inventor: **Katsuhiro Kitade**, Kyoto (JP)

(73) Assignee: **Panasonic Intellectual Property Management Co., Ltd.**, Osaka (JP)

(**) Term: **15 Years**

(21) Appl. No.: **29/683,097**

(22) Filed: **Mar. 11, 2019**

(30) **Foreign Application Priority Data**

Sep. 18, 2018 (JP) 2018-020164

(51) **LOC (12) Cl.** **16-05**

(52) **U.S. Cl.**
USPC **D16/219**

(58) **Field of Classification Search**
USPC D16/200, 202–206, 208, 218, 219;
348/373–376; 396/535, 539–541
CPC G03B 15/03; G03B 17/02; G03B 17/04;
G03B 17/56; G03B 19/04; H04N 5/2251;
H04N 5/2252; H04N 5/2253; H04N
5/2254; H04N 2101/00
See application file for complete search history.

(56) **References Cited**

U.S. PATENT DOCUMENTS

5,852,752 A * 12/1998 Nakanishi G03B 15/05
396/176
D542,321 S * 5/2007 Takahashi D16/202
D681,090 S * 4/2013 Tainaka D16/200

D701,550 S * 3/2014 Umehara D16/202
D720,787 S 1/2015 Tainaka
D720,793 S * 1/2015 Tajima D16/219
D724,130 S 3/2015 Ham
D727,990 S 4/2015 Sakai
D732,099 S 6/2015 Nagaoka et al.
D733,782 S * 7/2015 Sakai D16/202
D738,418 S * 9/2015 Imai D16/202
D746,351 S * 12/2015 Sogabe D16/202
D754,772 S 4/2016 Nohara
D755,273 S 5/2016 Baba et al.
D776,185 S 1/2017 Nohara
D777,233 S 1/2017 Sakai
D816,146 S 4/2018 Nikaido et al.
2014/0160346 A1 * 6/2014 Komada H04N 5/2171
348/373

* cited by examiner

Primary Examiner — Ramzi S Almatrahi

(74) *Attorney, Agent, or Firm* — Brinks Gilson & Lione

(57) **CLAIM**

I claim the ornamental design for a digital camera, as shown and described.

DESCRIPTION

FIG. 1 is a front perspective view of a digital camera of the present invention;
FIG. 2 is a rear perspective view thereof;
FIG. 3 is a front view thereof;
FIG. 4 is a rear view thereof;
FIG. 5 is a right side view thereof;
FIG. 6 is a left side view thereof;
FIG. 7 is a top view thereof; and,
FIG. 8 is a bottom view thereof.
The broken lines depict portions of the digital camera in which the design is embodied that form no part of the claimed design.

1 Claim, 8 Drawing Sheets

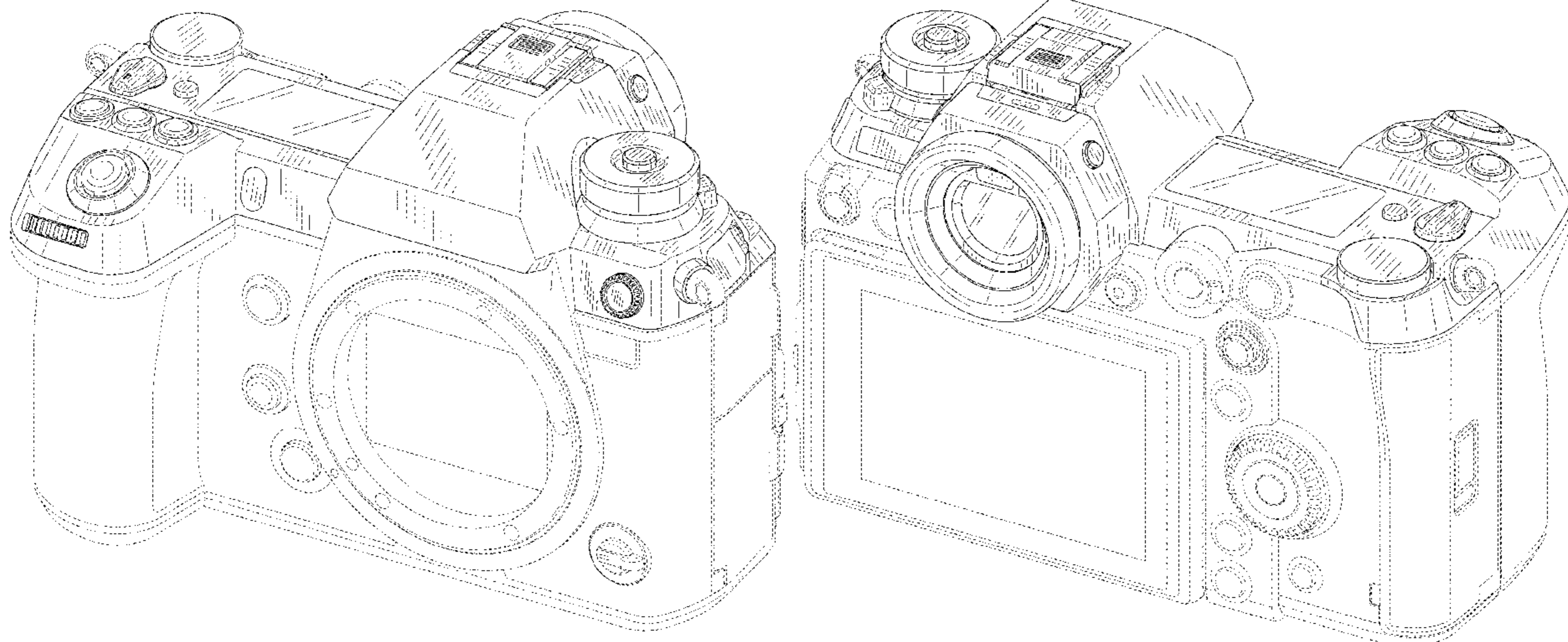


FIG. 1

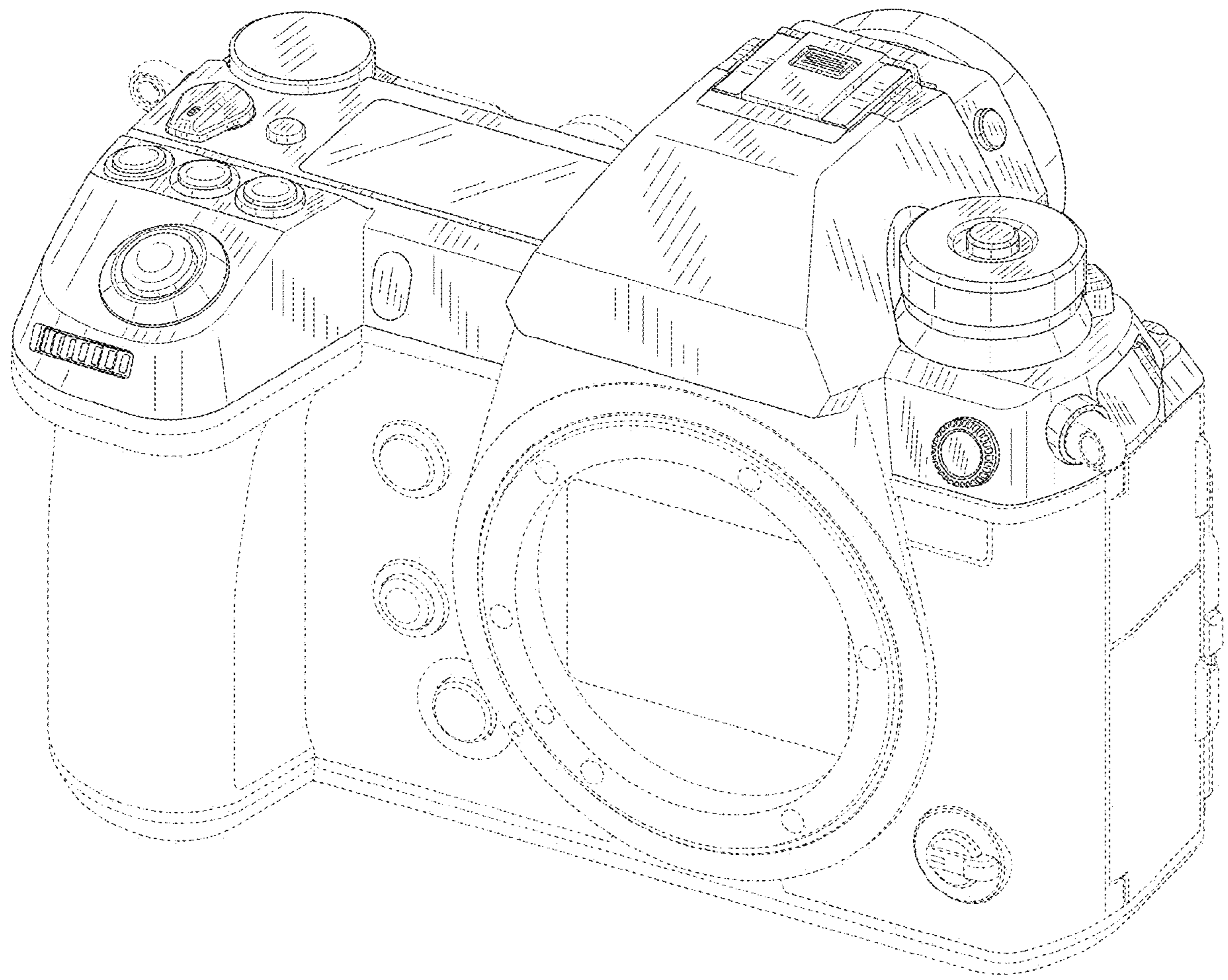


FIG. 2

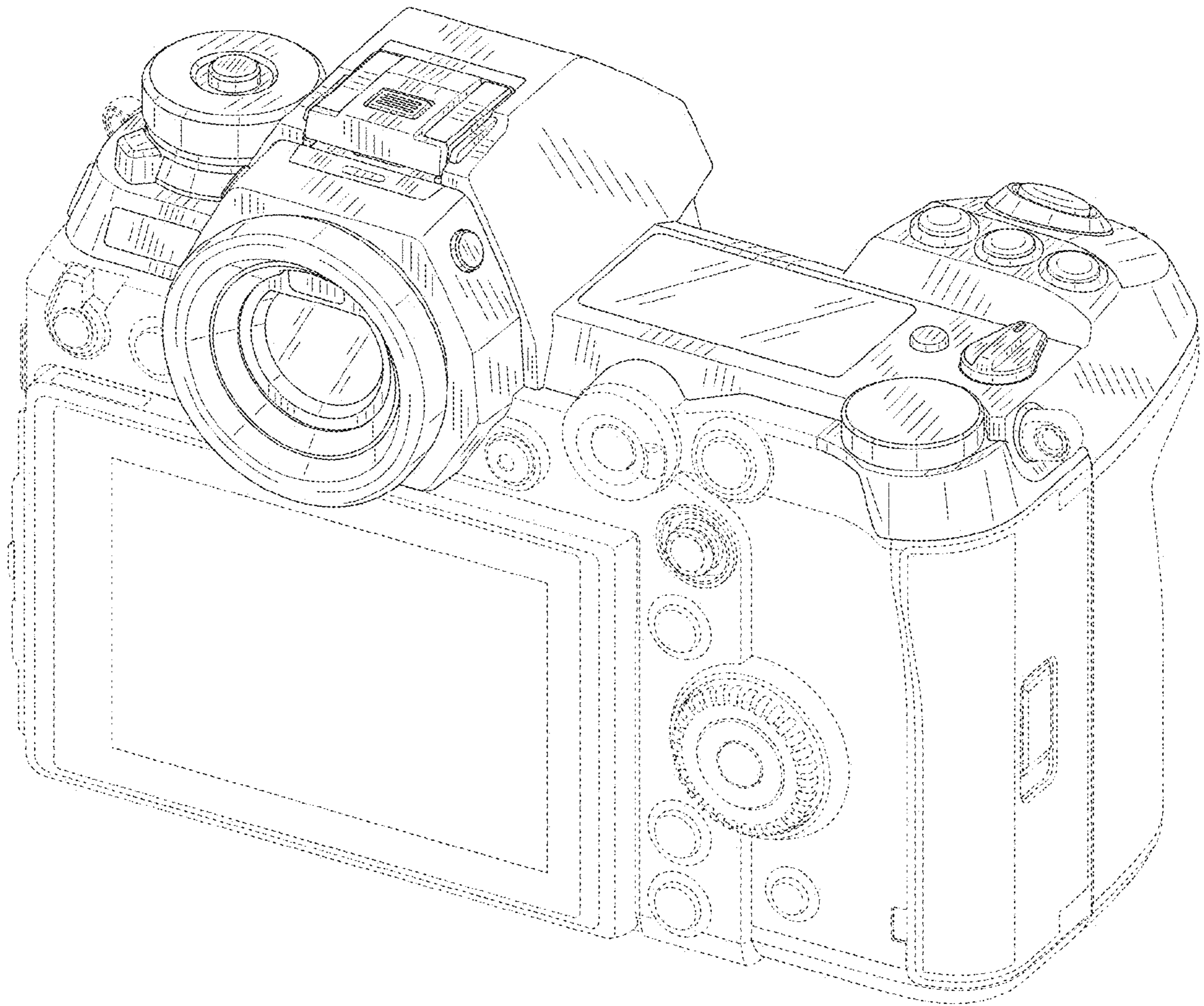


FIG. 3

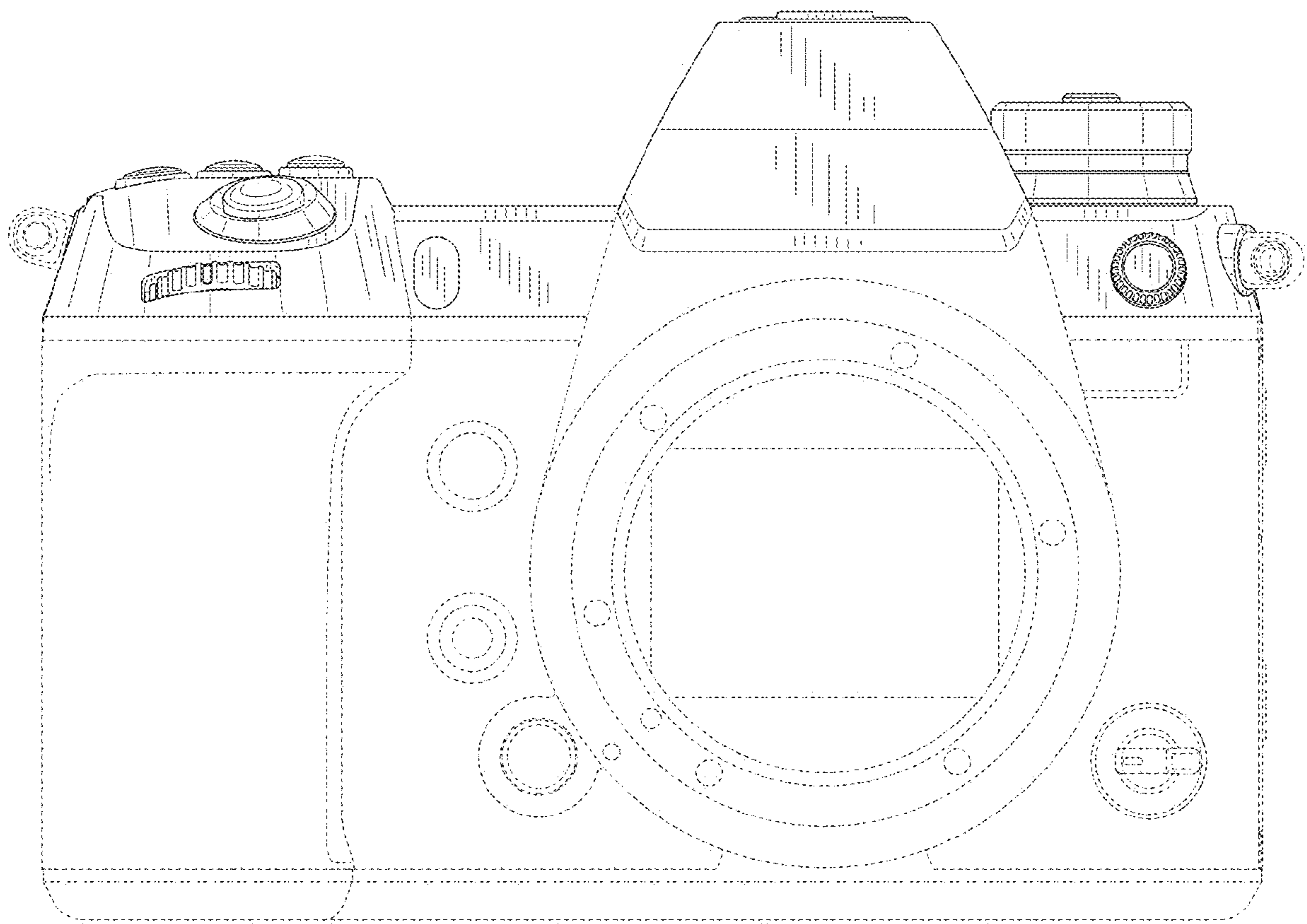


FIG. 4

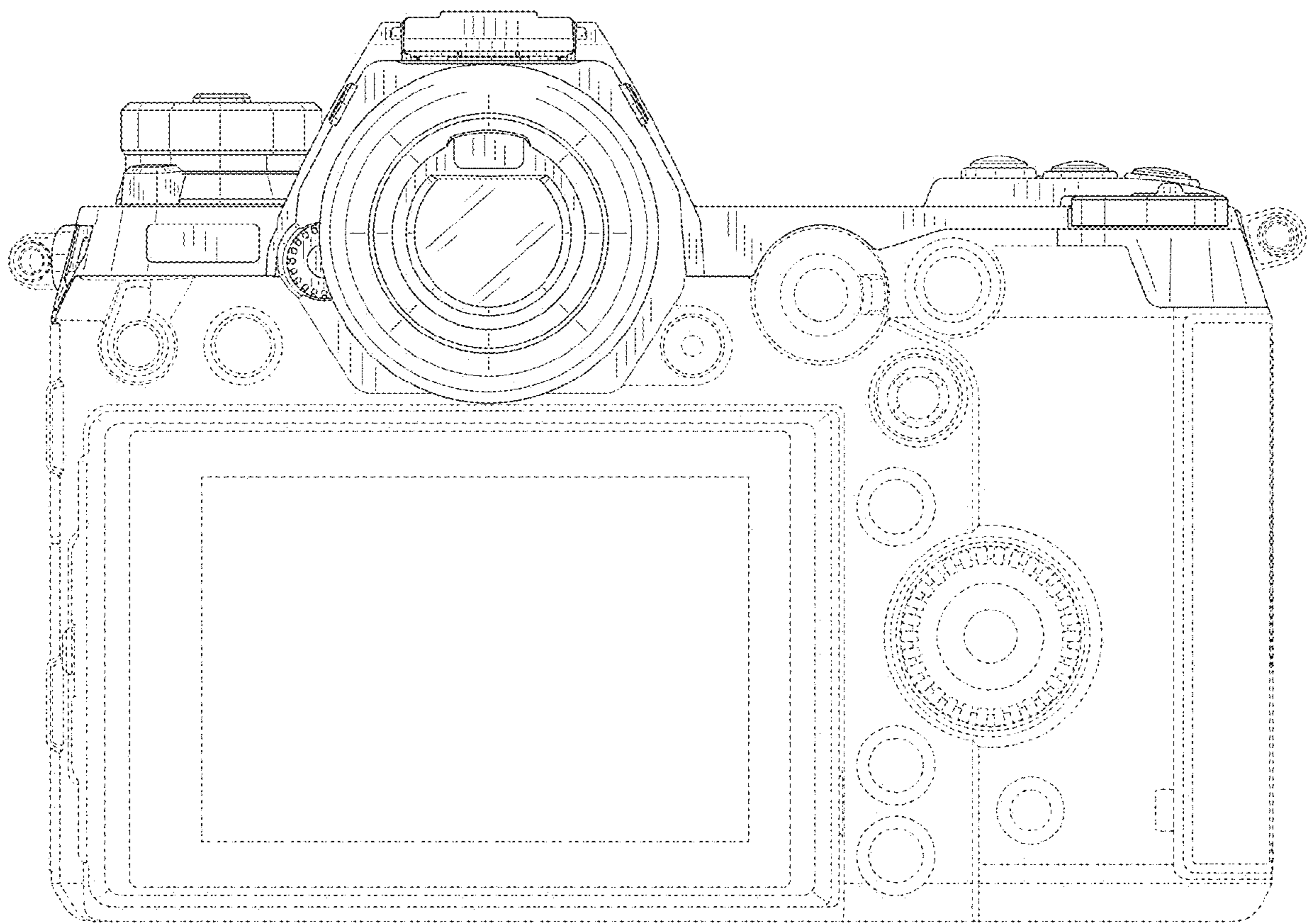


FIG. 5

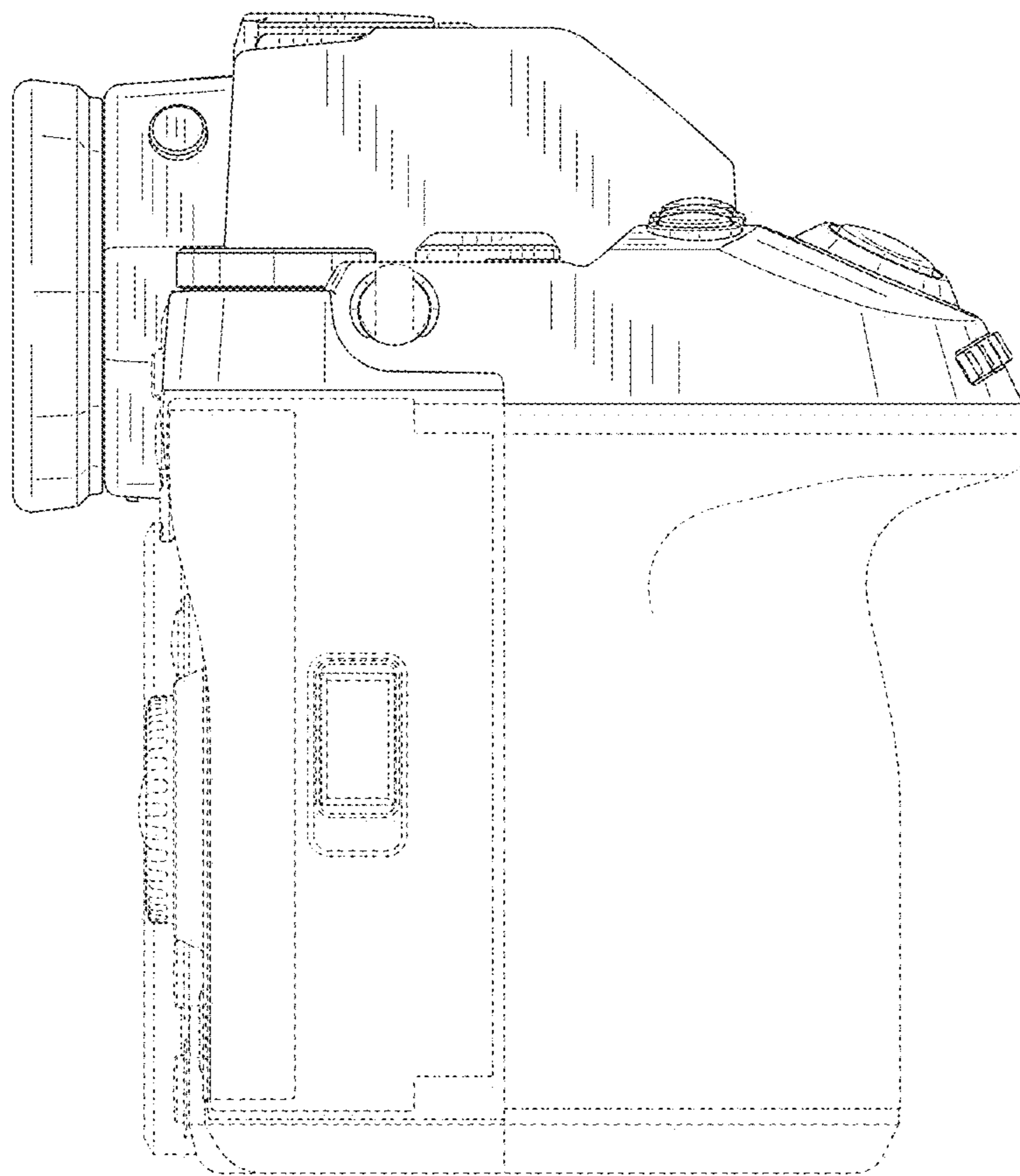


FIG. 6

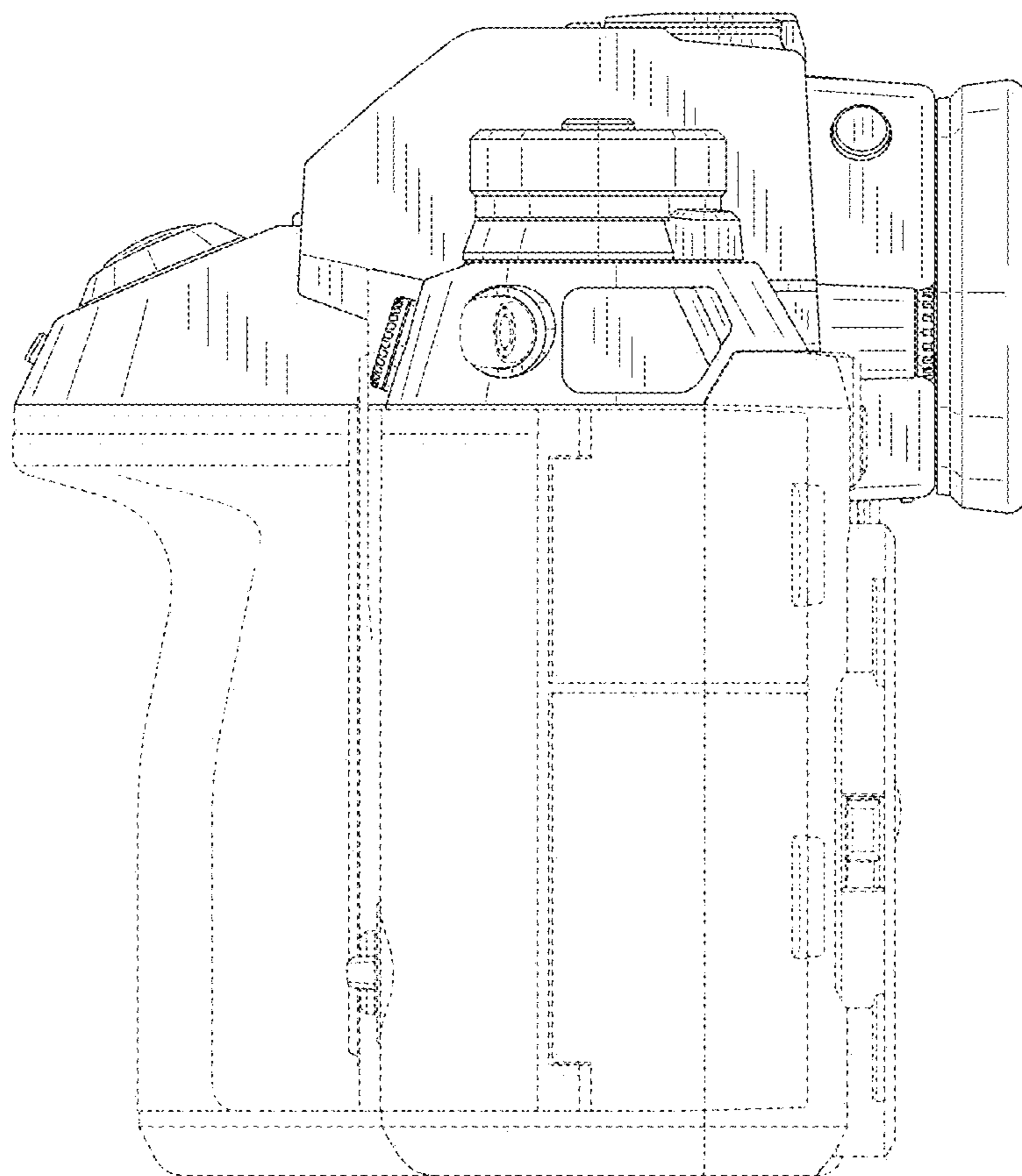


FIG. 7

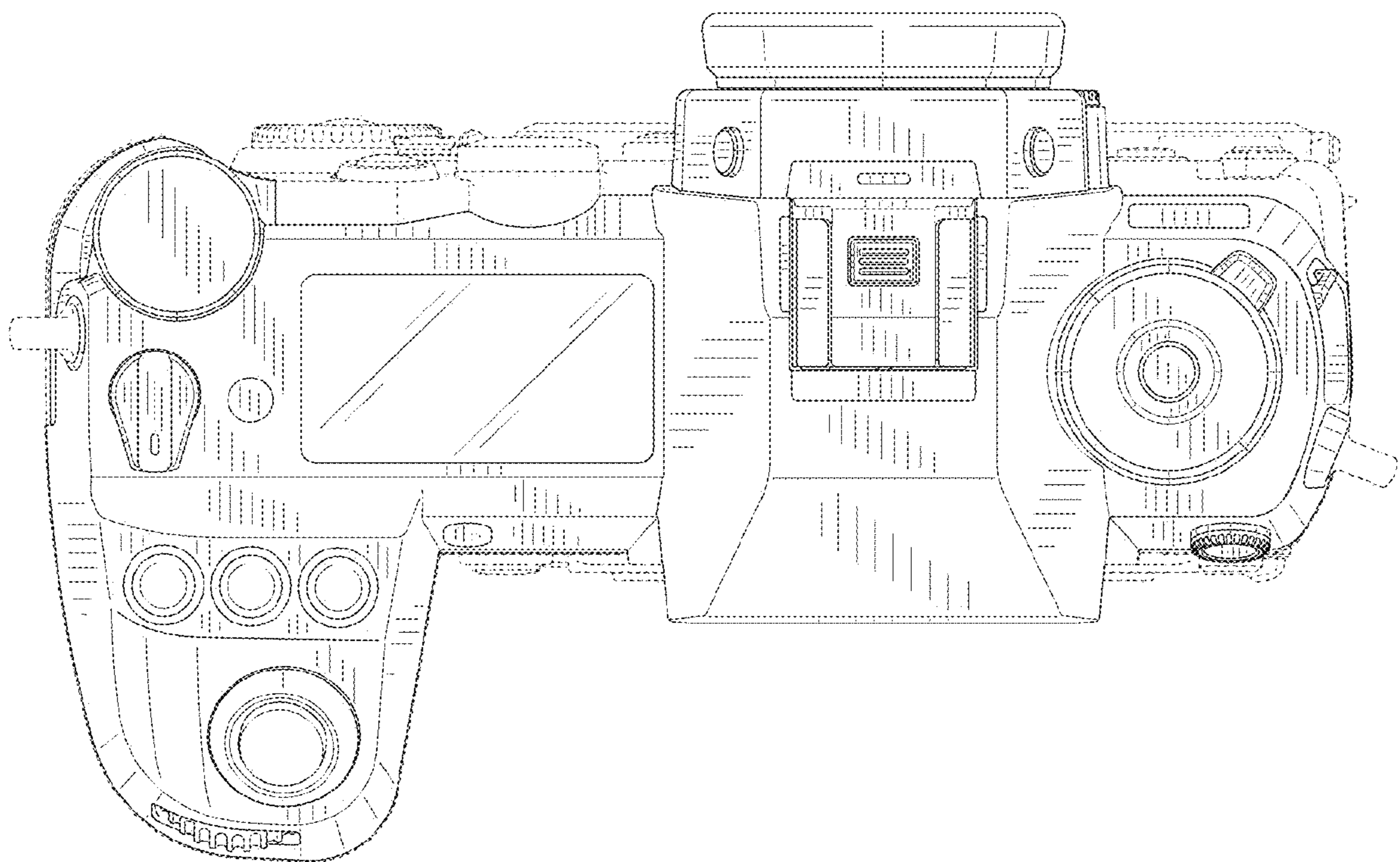


FIG. 8

