



US00D885461S

(12) **United States Design Patent**
Pera et al.

(10) **Patent No.:** **US D885,461 S**

(45) **Date of Patent:** **** May 26, 2020**

(54) **COMPACT VIDEO CAMERA WITH
CIRCULAR DISPLAY**

D748,178 S * 1/2016 Scalisi D10/118.2
D748,709 S * 2/2016 Jeong D16/202
D752,674 S * 3/2016 Katori D16/203

(Continued)

(71) Applicant: **Ubiquiti Inc.**, New York, NY (US)

Primary Examiner — Ramzi S Almatrahi

(72) Inventors: **Robert J. Pera**, Seattle, WA (US); **Te Ho Chen**, Taipei (TW); **Tsung Hwa Yang**, Taipei (TW); **James Krause**, Astoria, NY (US)

(74) *Attorney, Agent, or Firm* — Shay Glenn LLP

(73) Assignee: **Ubiquiti Inc.**, New York, NY (US)

(57) **CLAIM**

The ornamental design for a compact video camera with circular display, as shown and described.

(**) Term: **15 Years**

DESCRIPTION

(21) Appl. No.: **29/610,201**

FIG. 1 is a top perspective view of a compact video camera with circular display shown in a closed configuration.

(22) Filed: **Jul. 10, 2017**

FIG. 2 is a top plan view thereof.

(51) **LOC (12) Cl.** **16-01**

FIG. 3 is a bottom plan view thereof.

(52) **U.S. Cl.**

FIG. 4 is a back elevation view thereof.

USPC **D16/218**; D16/203

FIG. 5 is a front elevation view thereof.

(58) **Field of Classification Search**

FIG. 6 is a left side elevation view thereof.

USPC D16/200, 202–205, 208, 214–216, 218, D16/219; D25/16; 52/27.5, 29, 36.1; 348/373–376; 396/2, 3, 5, 419, 424, 427, 396/429, 535, 539–541; 455/575.3

FIG. 7 is a right side elevation view thereof.

CPC G03B 15/00; G03B 15/03; G03B 15/06; G03B 17/02; G03B 17/04; G03B 17/53; G03B 17/56; G03B 19/04; H04N 5/2251; H04N 5/2252; H04N 5/2253; H04N 5/2254; H04N 2101/00

FIG. 8 is a bottom and left side perspective view thereof.

FIG. 9 is a bottom and right side perspective view thereof.

See application file for complete search history.

FIG. 10 is a top perspective view of the compact video camera with circular display shown in an opened configuration.

FIG. 11 is a top plan view thereof.

FIG. 12 is a bottom plan view thereof.

FIG. 13 is a back elevation view thereof.

FIG. 14 is a front elevation view thereof.

FIG. 15 is a left side elevation view thereof.

FIG. 16 is a right side elevation view thereof.

FIG. 17 is a bottom and left side perspective view thereof; and,

FIG. 18 is a bottom and right side perspective view thereof.

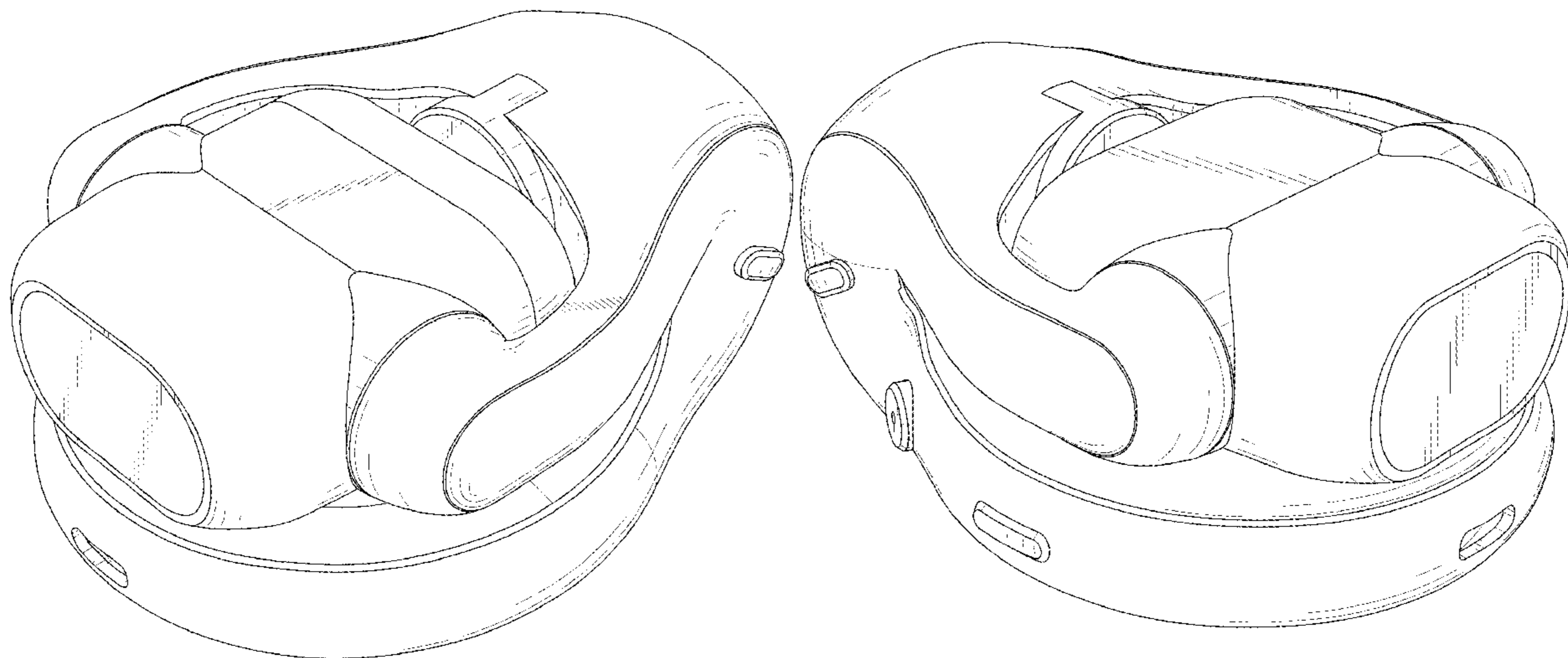
The broken lines depict portions of the compact video camera with circular display in which the design is embodied that form no part of the claimed design.

(56) **References Cited**

U.S. PATENT DOCUMENTS

D422,521 S * 4/2000 Morrow D10/106.5
D679,309 S * 4/2013 Park D16/218
D729,859 S * 5/2015 Shin D16/203
D740,871 S * 10/2015 Moon D16/203
D742,954 S * 11/2015 Simonelli D16/203
D743,465 S * 11/2015 Aglassinger D16/203

1 Claim, 18 Drawing Sheets



(56)

References Cited

U.S. PATENT DOCUMENTS

D758,470 S *	6/2016	Kircher	D16/215
D761,340 S *	7/2016	Pacurariu	D16/202
D776,180 S *	1/2017	Fiedler	D16/202
D803,922 S *	11/2017	Chang	D16/203

* cited by examiner

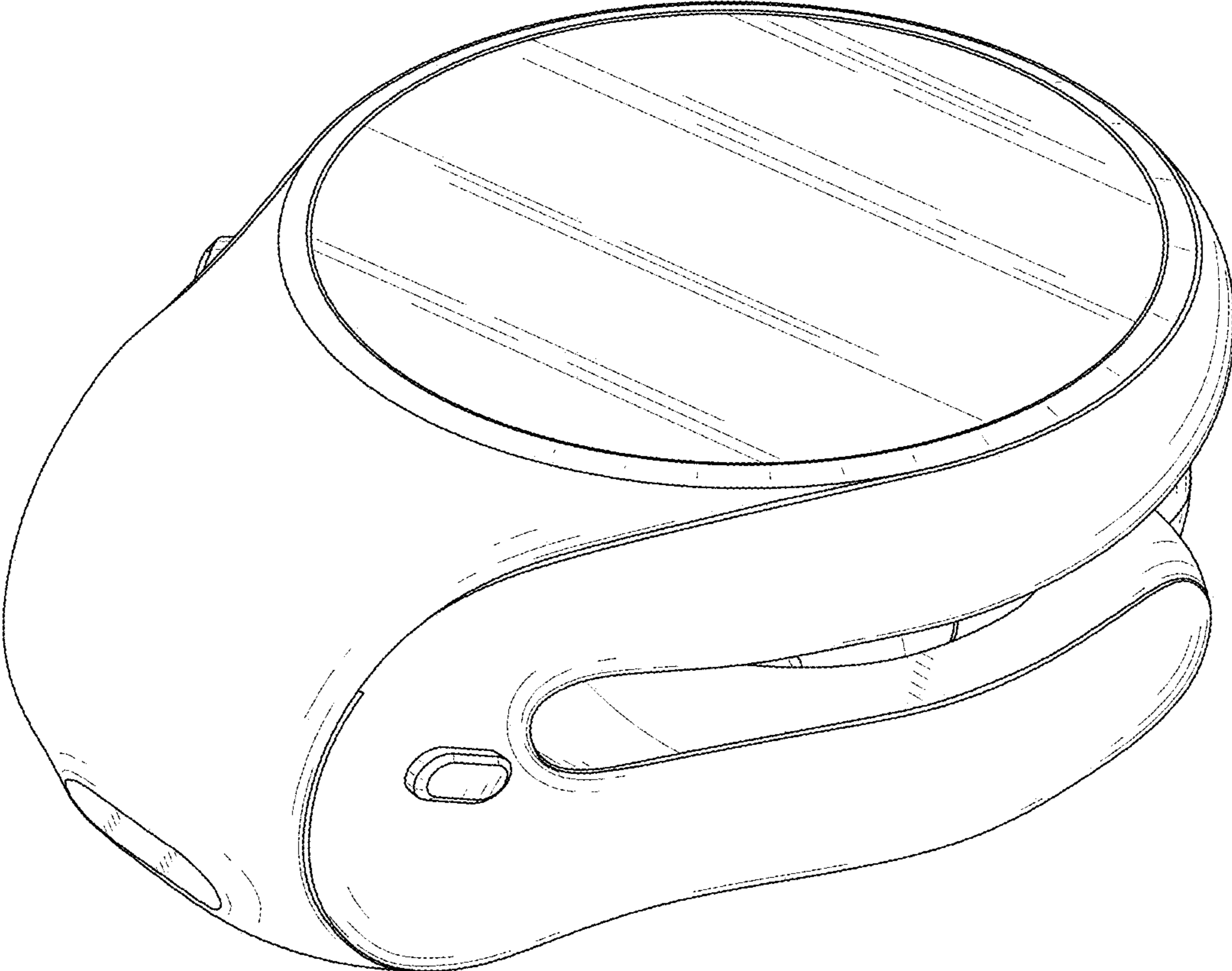


FIG. 1

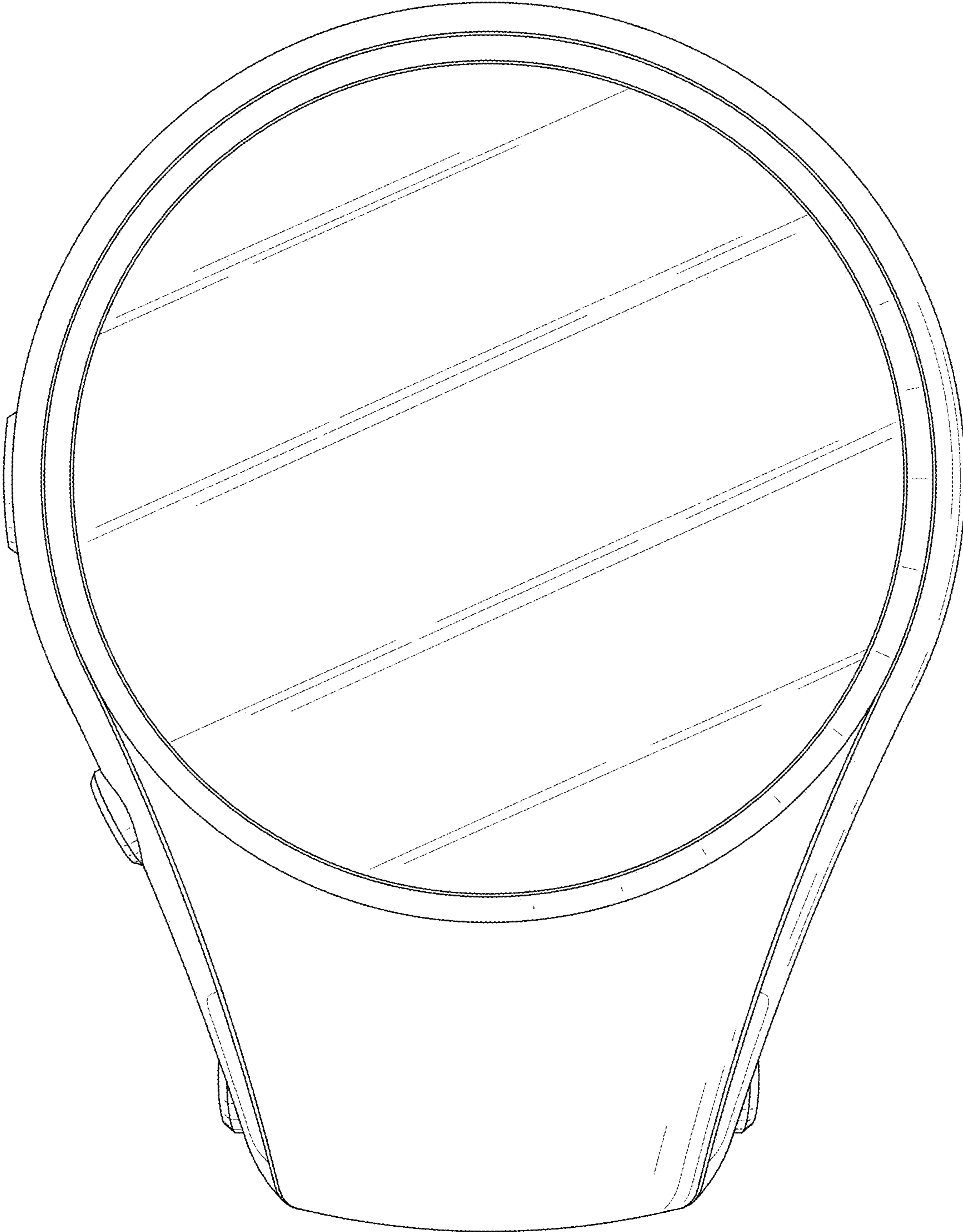


FIG. 2

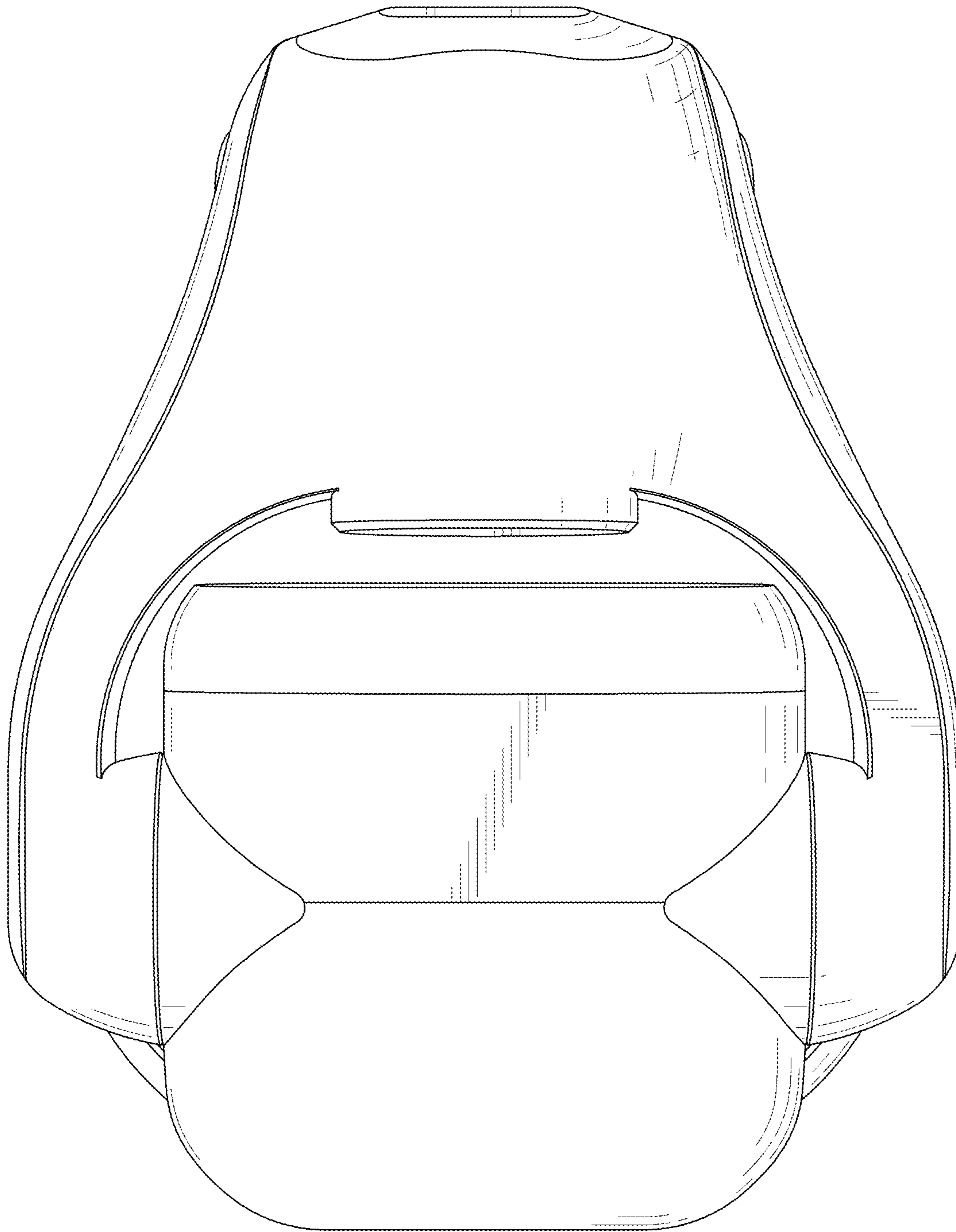


FIG. 3

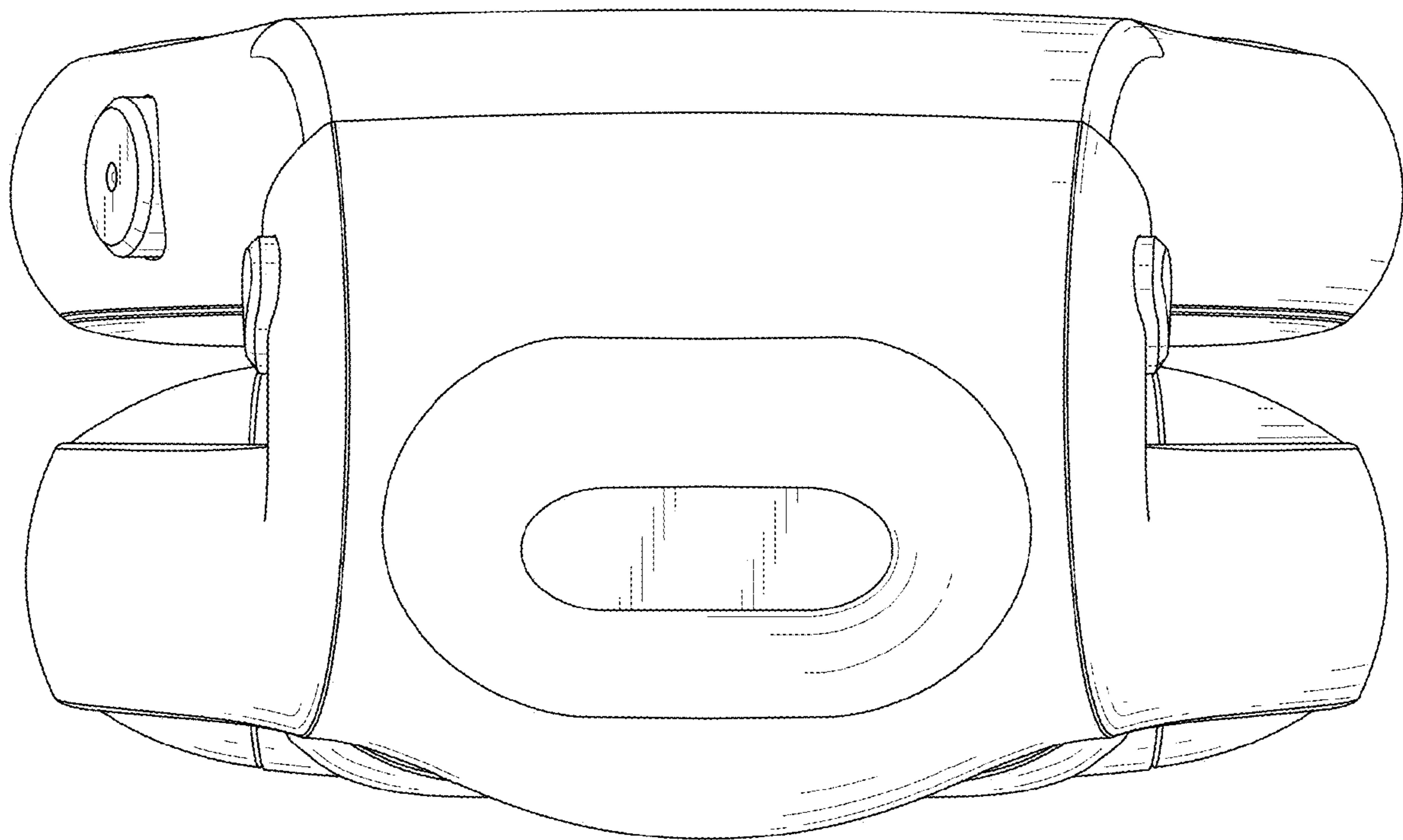


FIG. 4

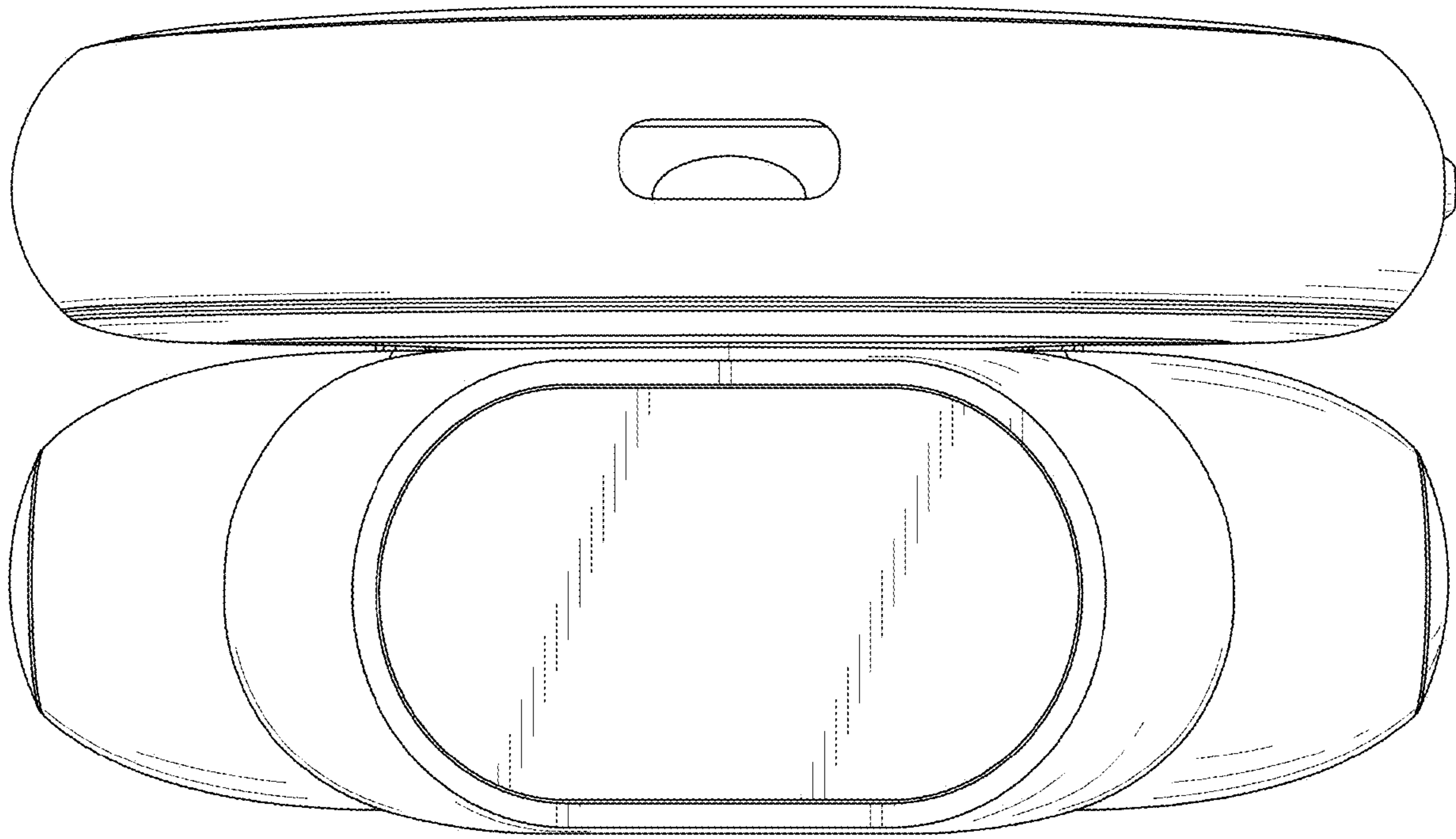


FIG. 5

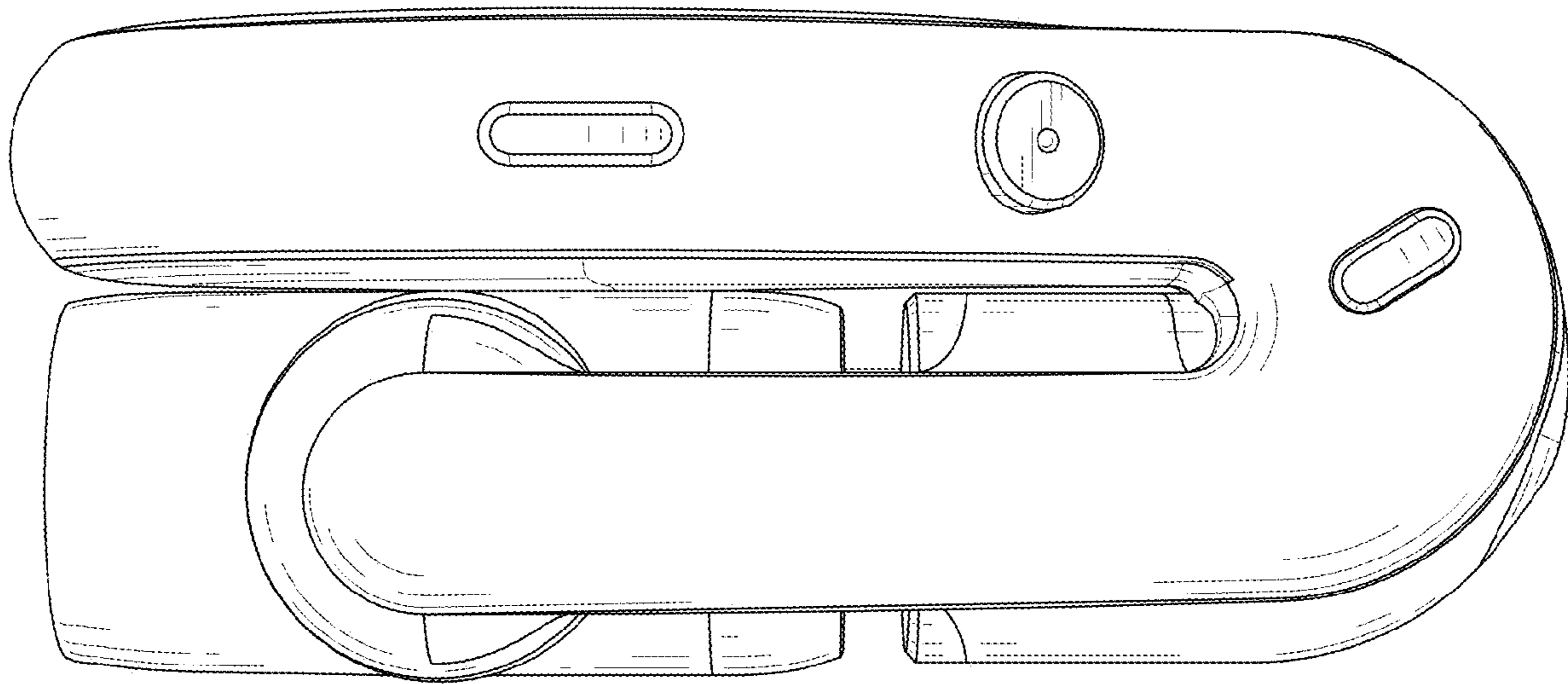


FIG. 6

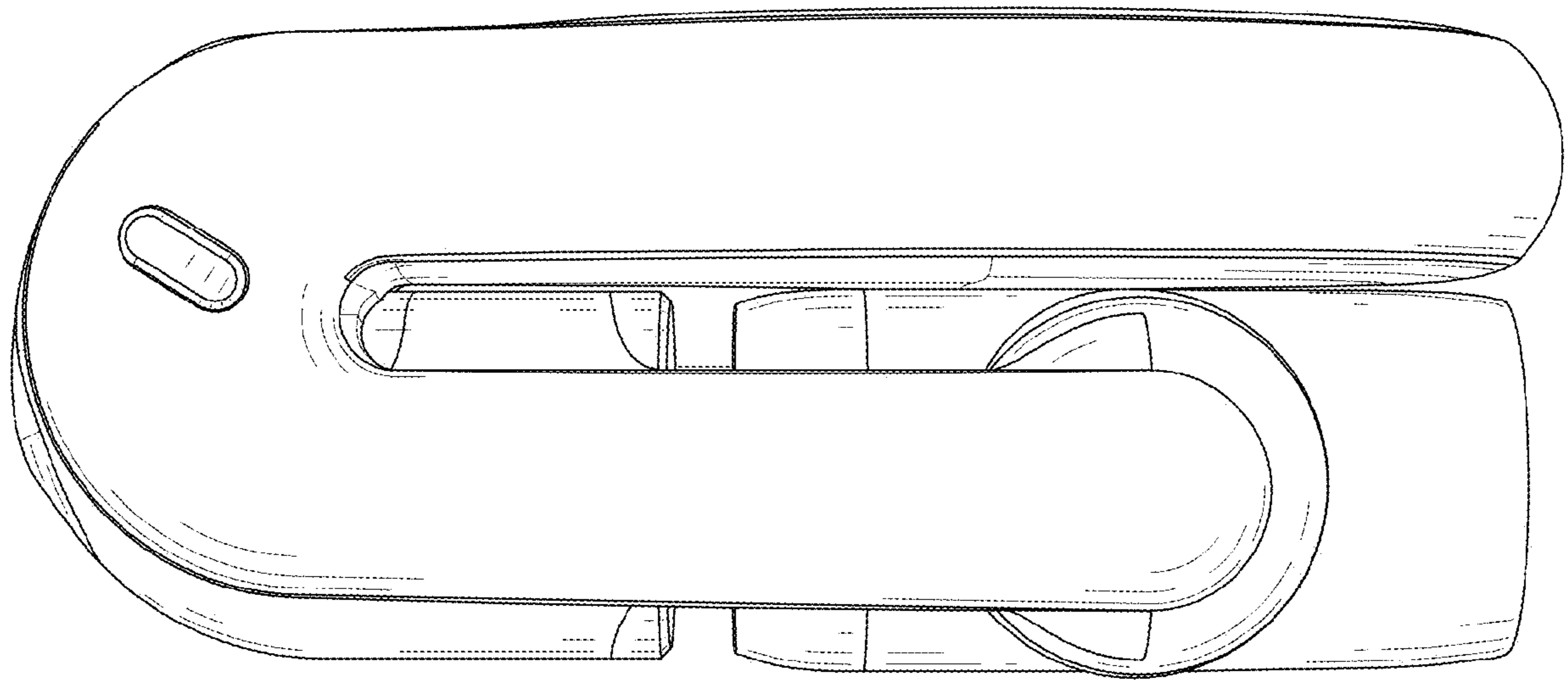


FIG. 7

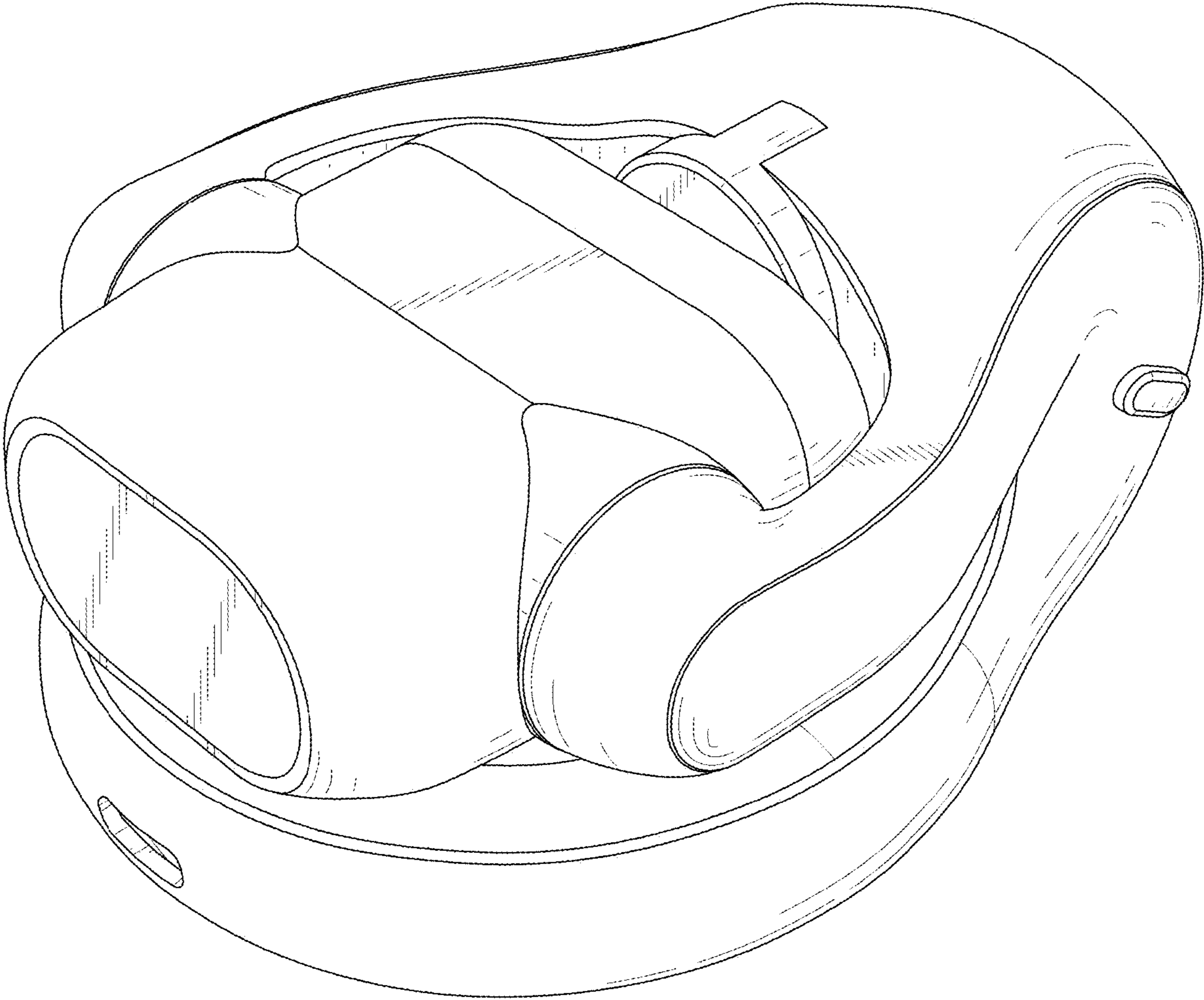


FIG. 8

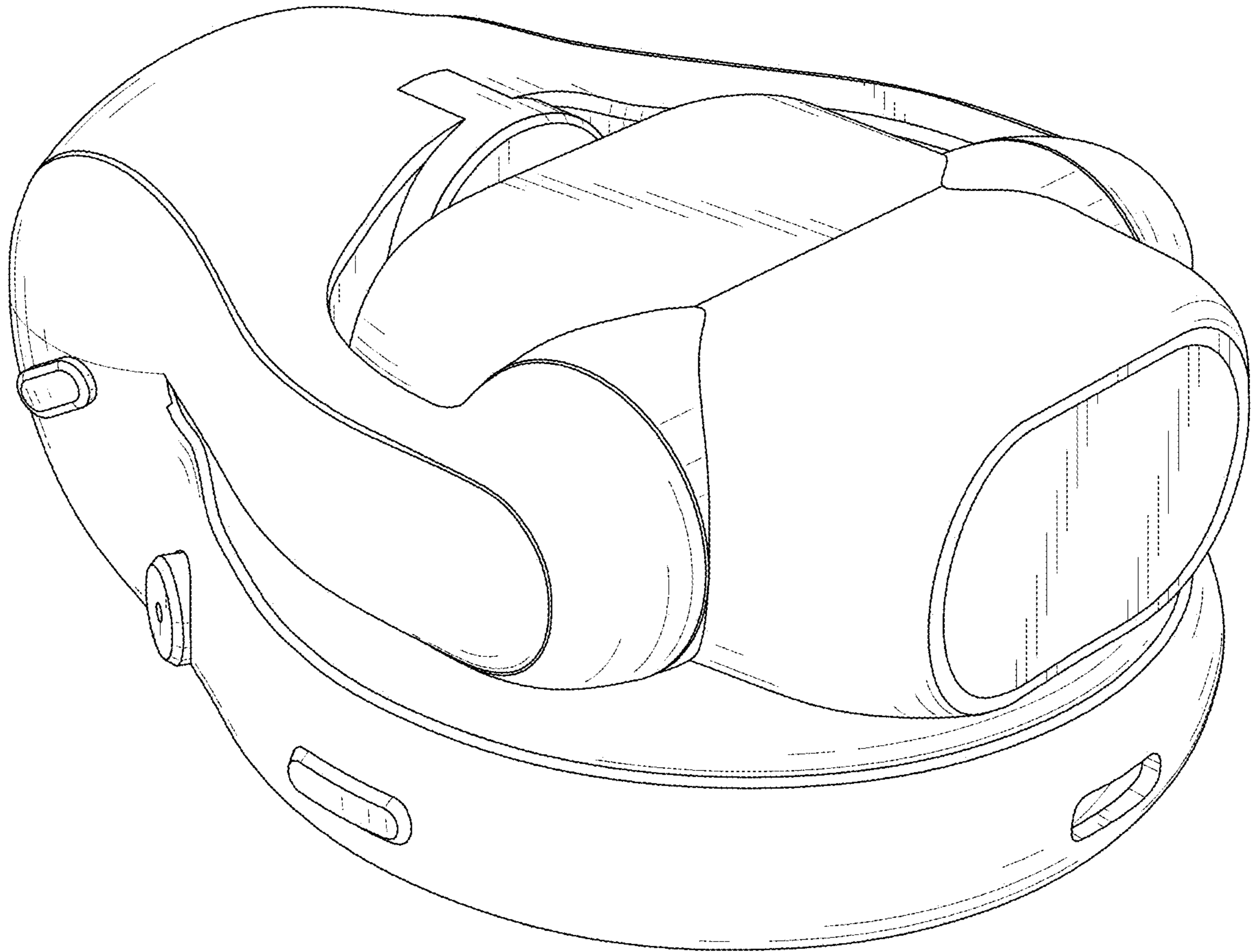


FIG. 9

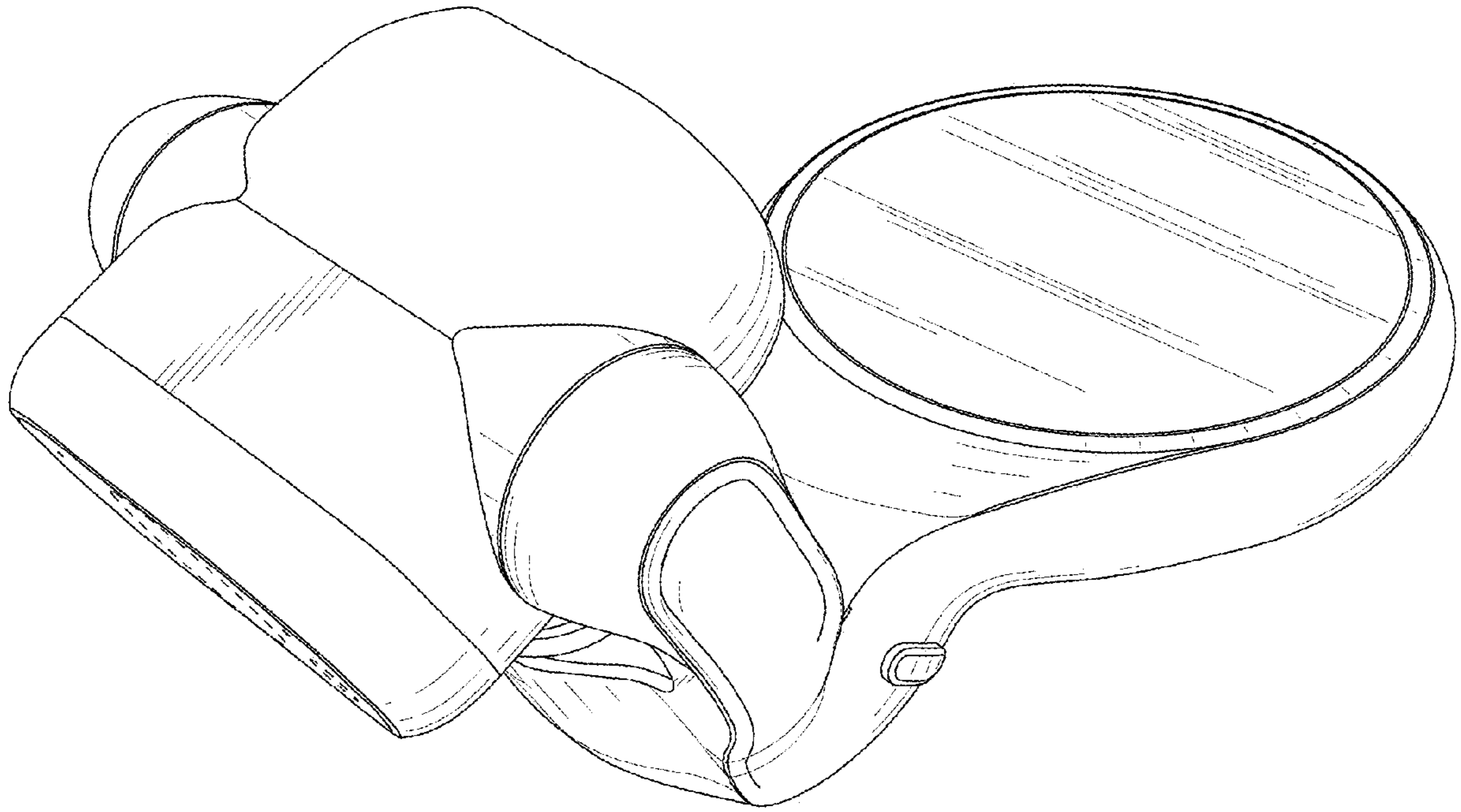


FIG. 10

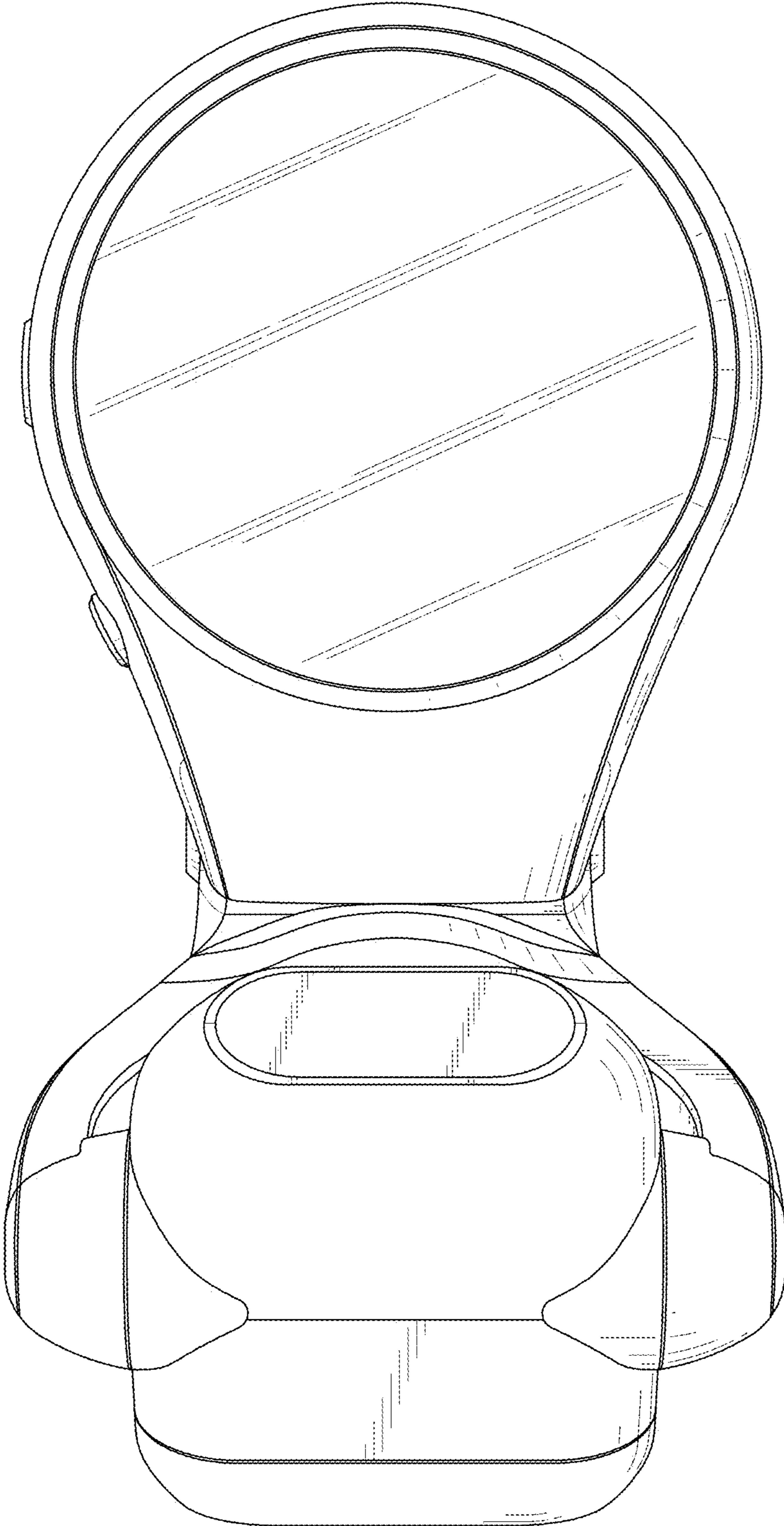


FIG. 11

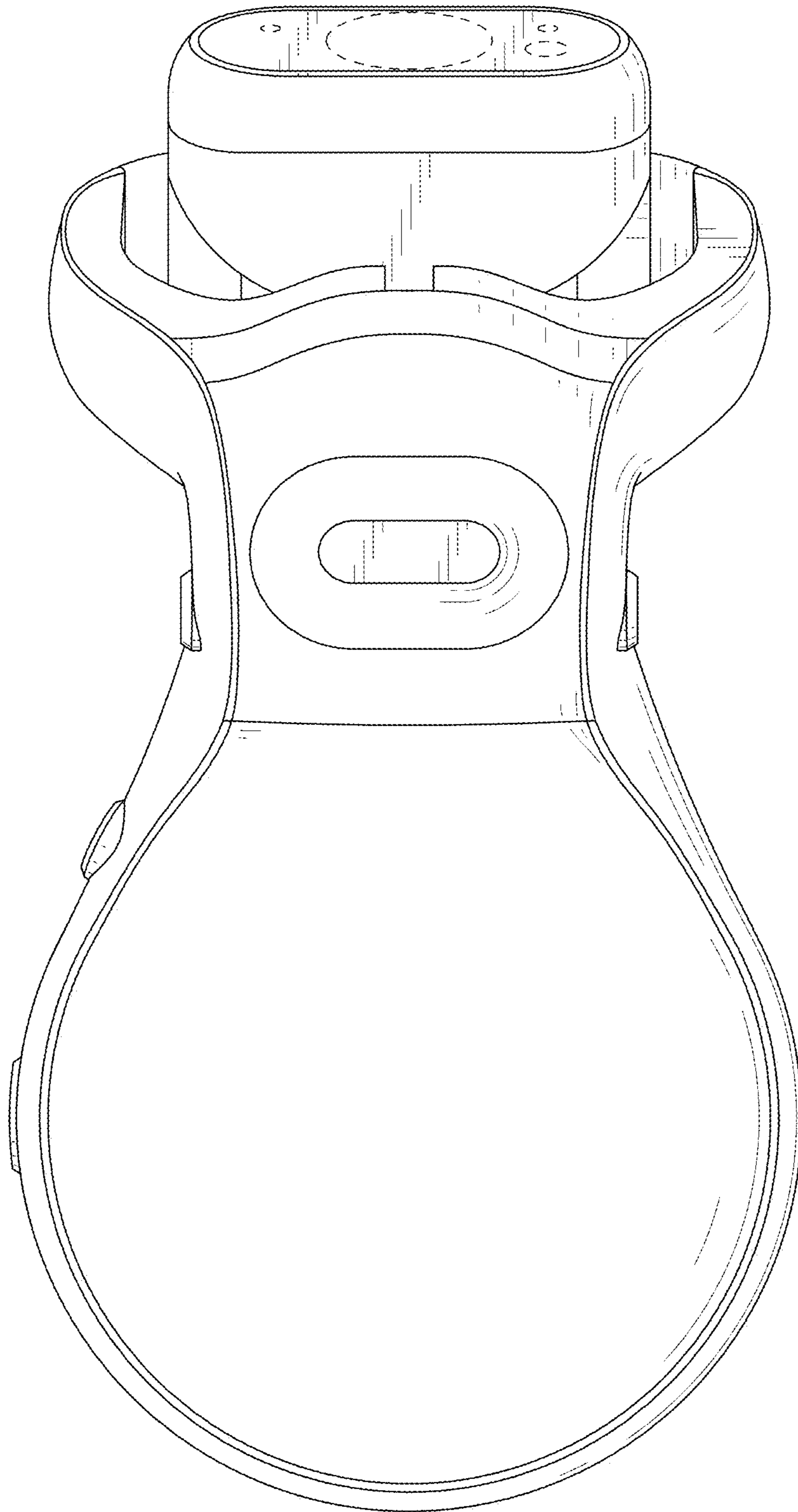


FIG. 12

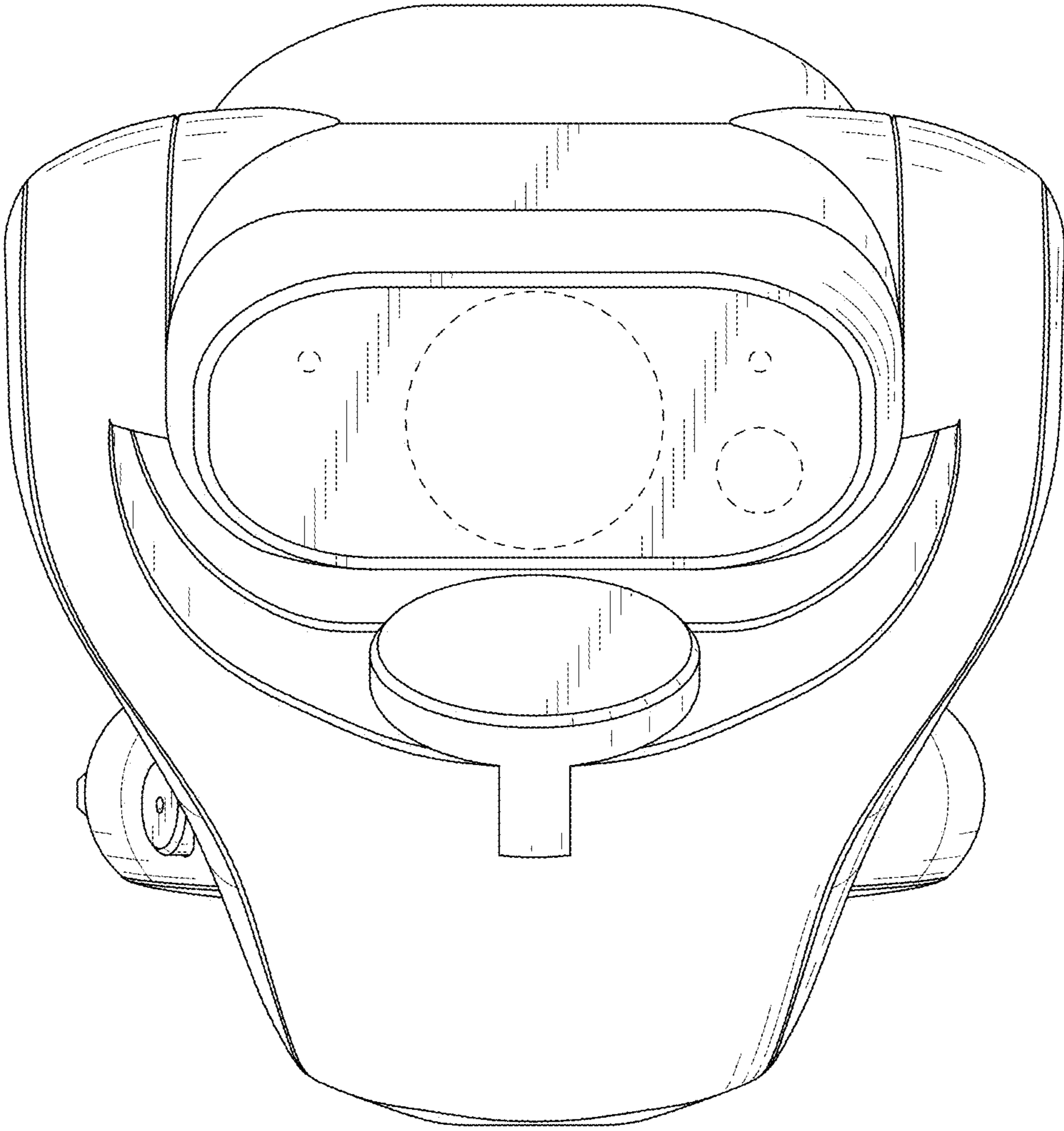


FIG. 13

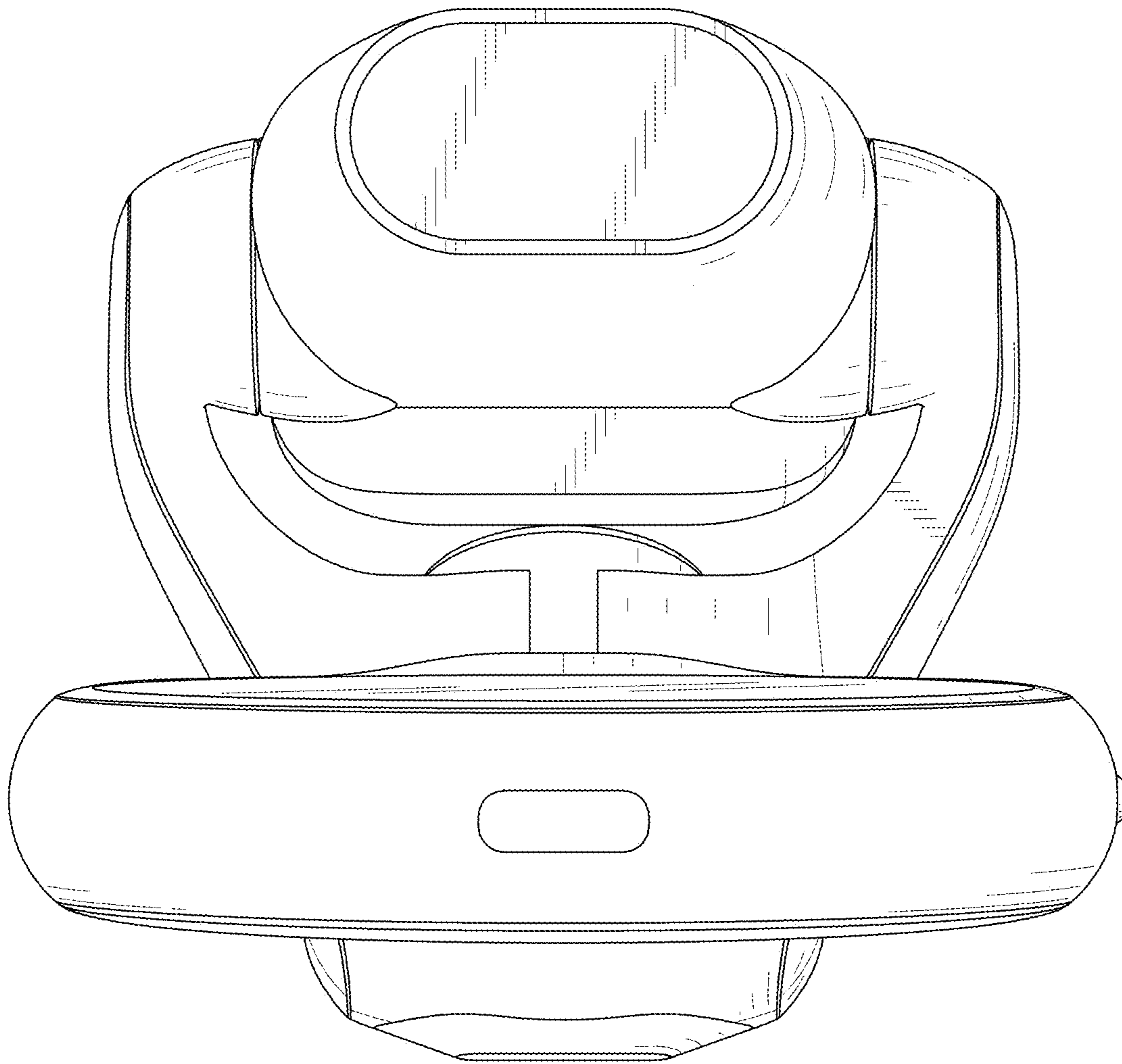


FIG. 14

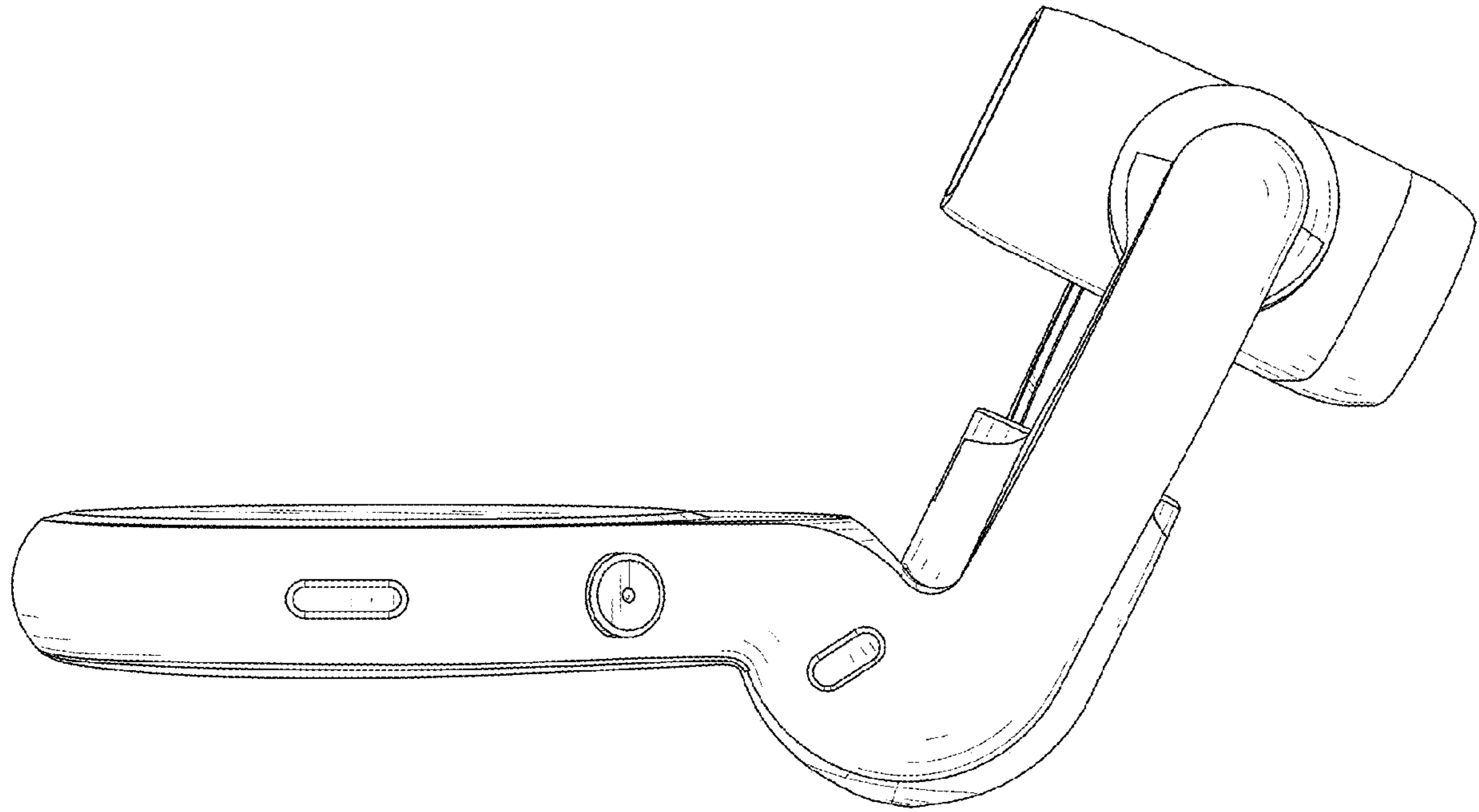


FIG. 15

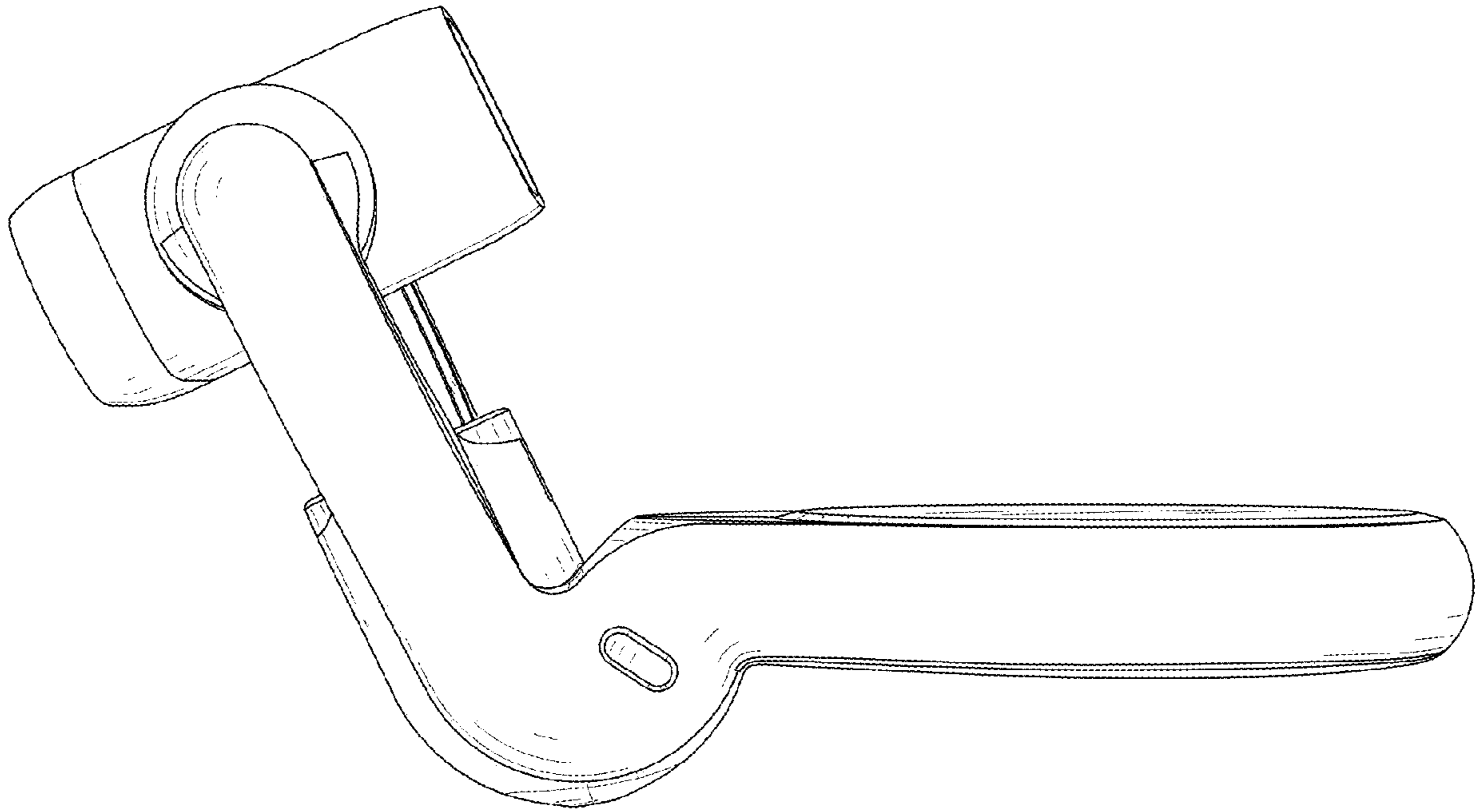


FIG. 16

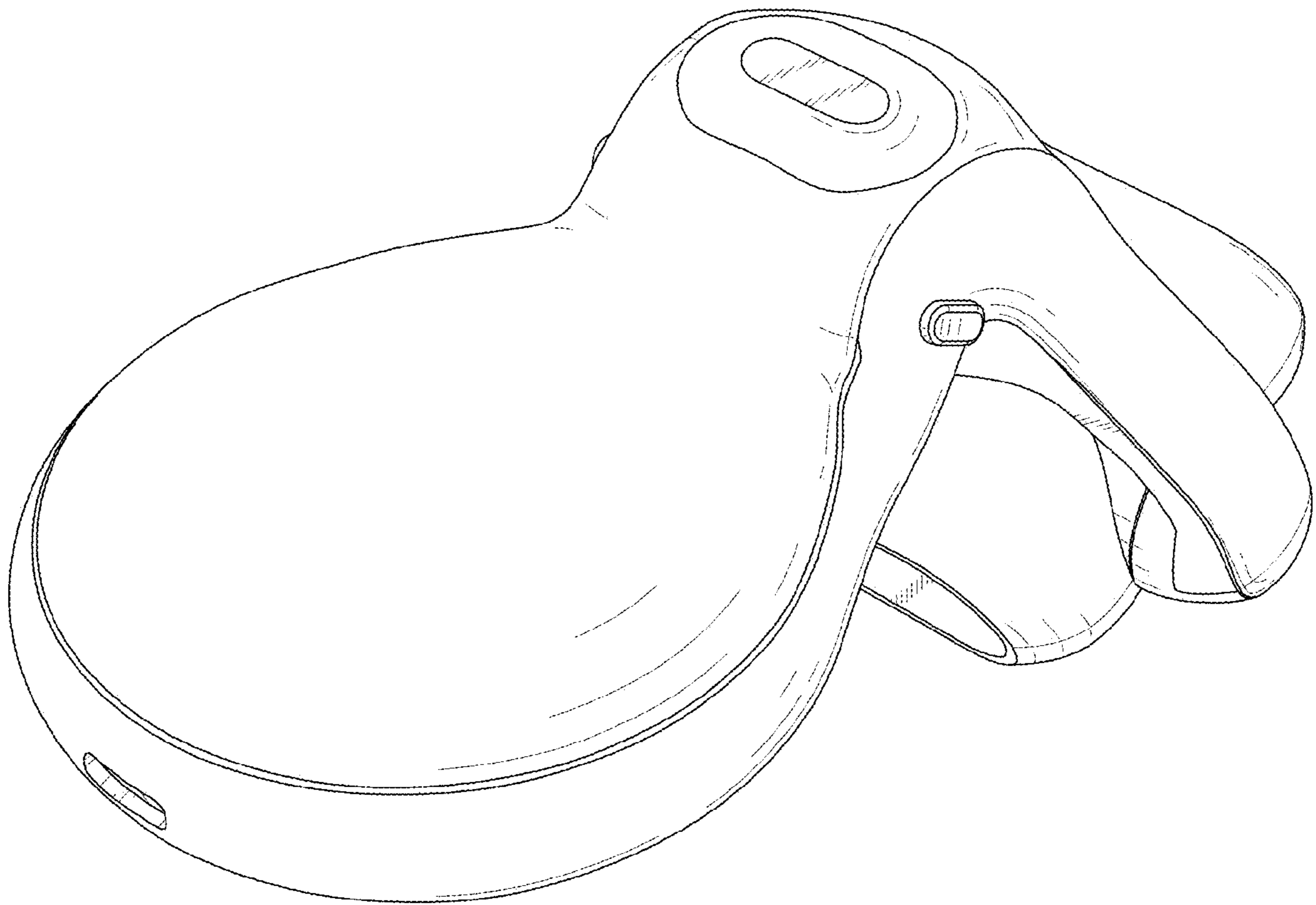


FIG. 17

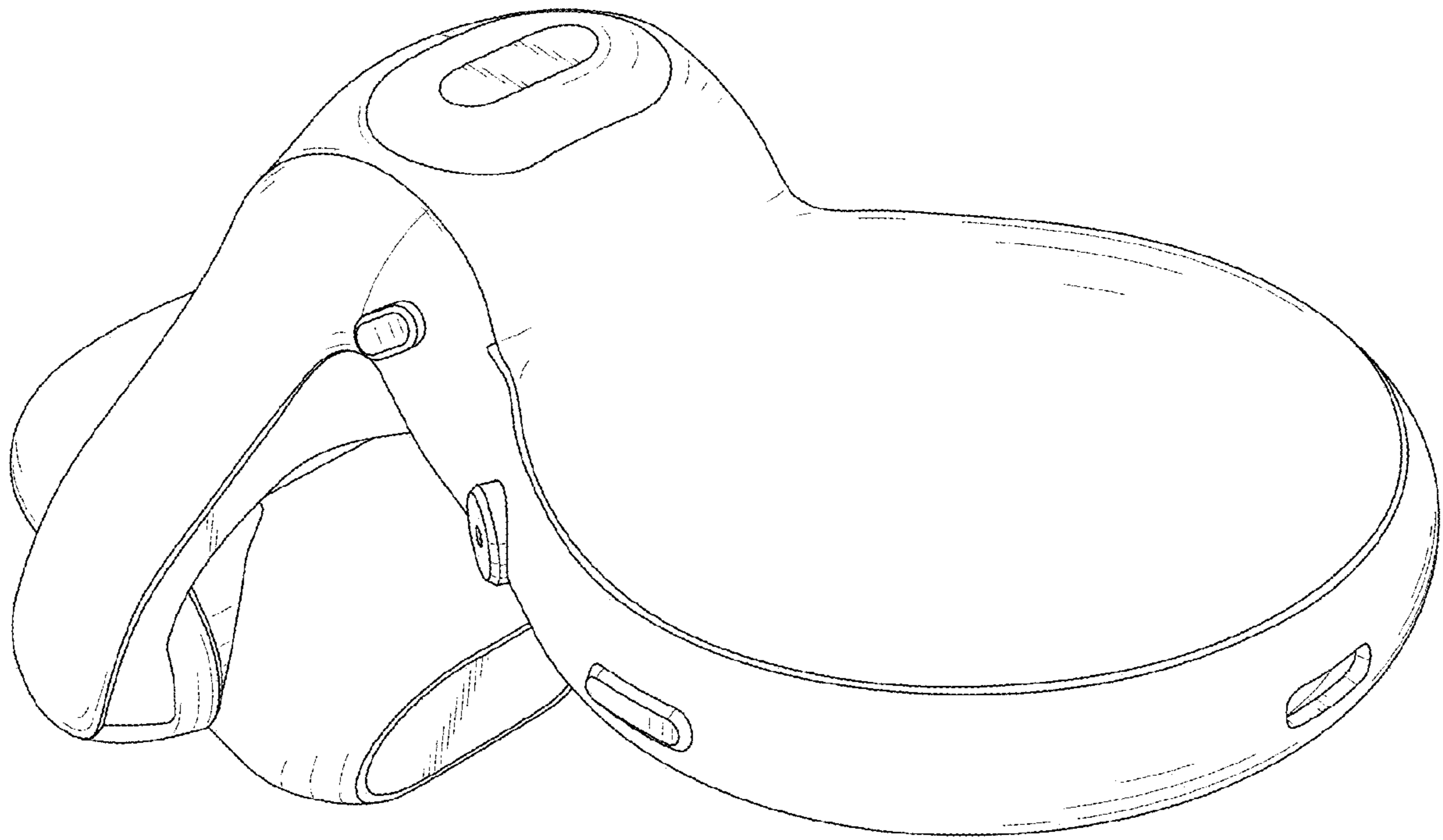


FIG. 18