



US00D885458S

(12) **United States Design Patent** (10) **Patent No.:** **US D885,458 S**  
**Vozzi et al.** (45) **Date of Patent:** **\*\* May 26, 2020**

(54) **CAMERA**

(71) Applicant: **Axis AB**, Lund (SE)

(72) Inventors: **Mariano Vozzi**, Lund (SE); **Stefan Möller**, Lund (SE); **Jonas Sjögren**, Lund (SE); **Mathias Walter**, Lund (SE); **Karl Andersson**, Lund (SE)

(73) Assignee: **AXIS AB**, Lund (SE)

(\*\*) Term: **15 Years**

(21) Appl. No.: **29/696,116**

(22) Filed: **Jun. 25, 2019**

(30) **Foreign Application Priority Data**

Jan. 15, 2019 (EM) ..... 006023545

(51) **LOC (12) Cl.** ..... **16-01**

(52) **U.S. Cl.**  
USPC ..... **D16/203**

(58) **Field of Classification Search**  
USPC ..... D16/200, 202-208, 218, 219, 242;  
348/143, 148, 151, 373-376; 396/419,  
396/427, 535, 539-541; 248/176.1, 187.1  
CPC ..... G03B 17/02; G03B 19/04; G03B 17/56;  
G03B 17/04; G03B 15/03; H04N 5/2251;  
H04N 5/2252; H04N 5/2253; H04N  
5/2254; H04N 7/181; H04N 7/183; H04N  
7/18

See application file for complete search history.

(56) **References Cited**

**U.S. PATENT DOCUMENTS**

D607,033 S \* 12/2009 Arbuckle ..... D16/203  
D638,871 S \* 5/2011 Bergstrom ..... D16/203

D642,607 S \* 8/2011 Bergstrom ..... D16/203  
D643,454 S \* 8/2011 Zaliauskas ..... D16/202  
D684,619 S \* 6/2013 Chapple ..... D16/203  
D748,710 S \* 2/2016 Bergstrom ..... D16/203  
D812,670 S \* 3/2018 Andersson ..... D16/203  
D826,305 S \* 8/2018 Ahman ..... D16/203  
D827,013 S \* 8/2018 Ahman ..... D16/203  
D832,330 S \* 10/2018 Ahman ..... D16/203  
D835,697 S \* 12/2018 Andersson ..... D16/203  
D836,149 S \* 12/2018 Ahman ..... D16/203  
D848,505 S \* 5/2019 Bull ..... D16/203

**FOREIGN PATENT DOCUMENTS**

EM 001173686 10/2009  
EM 002344721 11/2013  
EM 003050210 3/2016  
EM 005255577 5/2018

\* cited by examiner

*Primary Examiner* — Ramzi S Almatrahi

(74) *Attorney, Agent, or Firm* — Tucker Ellis LLP

(57) **CLAIM**

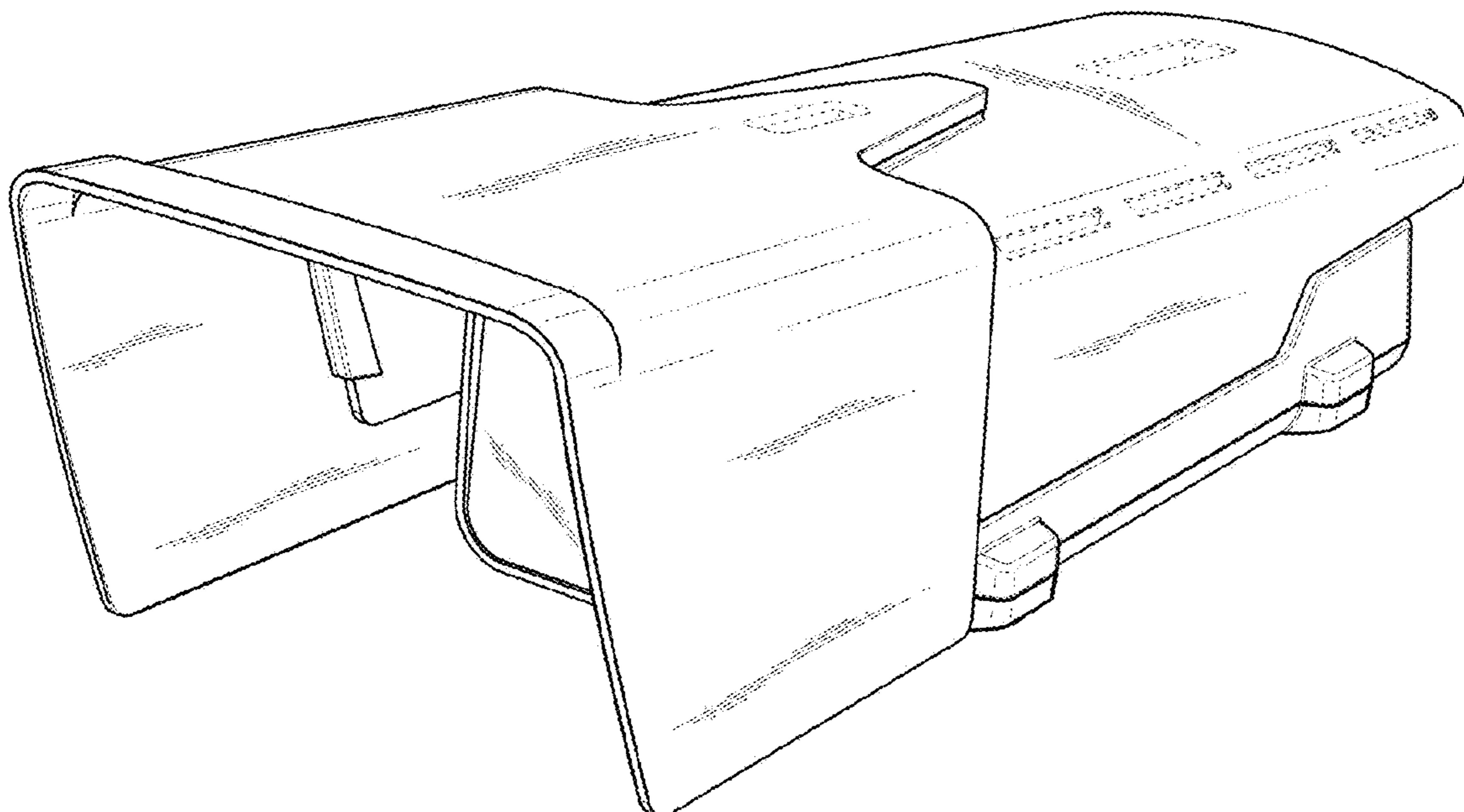
The ornamental design for a camera, as shown and described.

**DESCRIPTION**

FIG. 1 is a front-left-top perspective view of a camera showing our new design;  
FIG. 2 is a front view thereof;  
FIG. 3 is a rear view thereof;  
FIG. 4 is a left side view thereof;  
FIG. 5 is a right side view thereof;  
FIG. 6 is a top view thereof; and,  
FIG. 7 is a bottom view thereof.

The broken lines are for the purpose of illustrating portions of the camera and form no part of the claimed design.

**1 Claim, 6 Drawing Sheets**



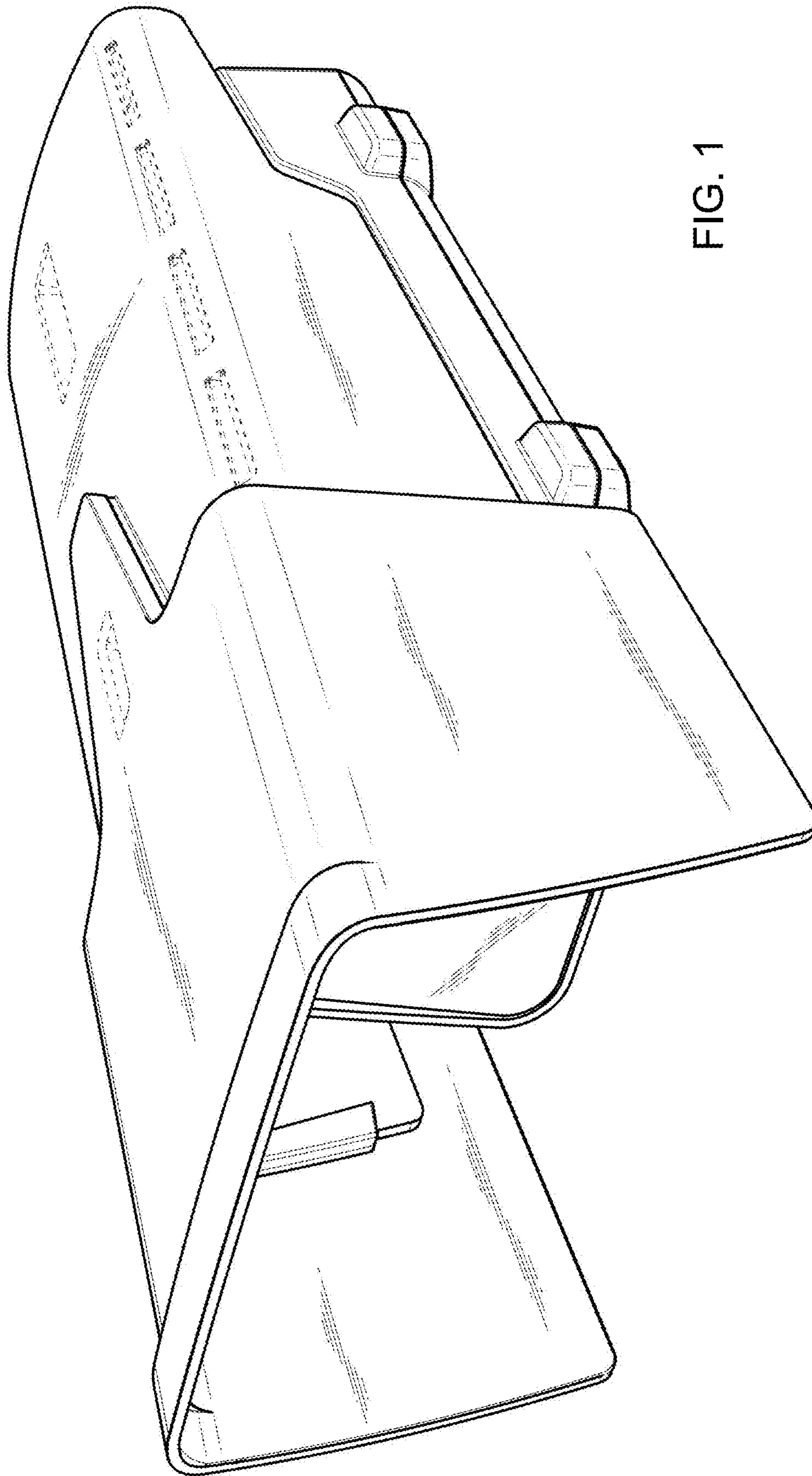


FIG. 1

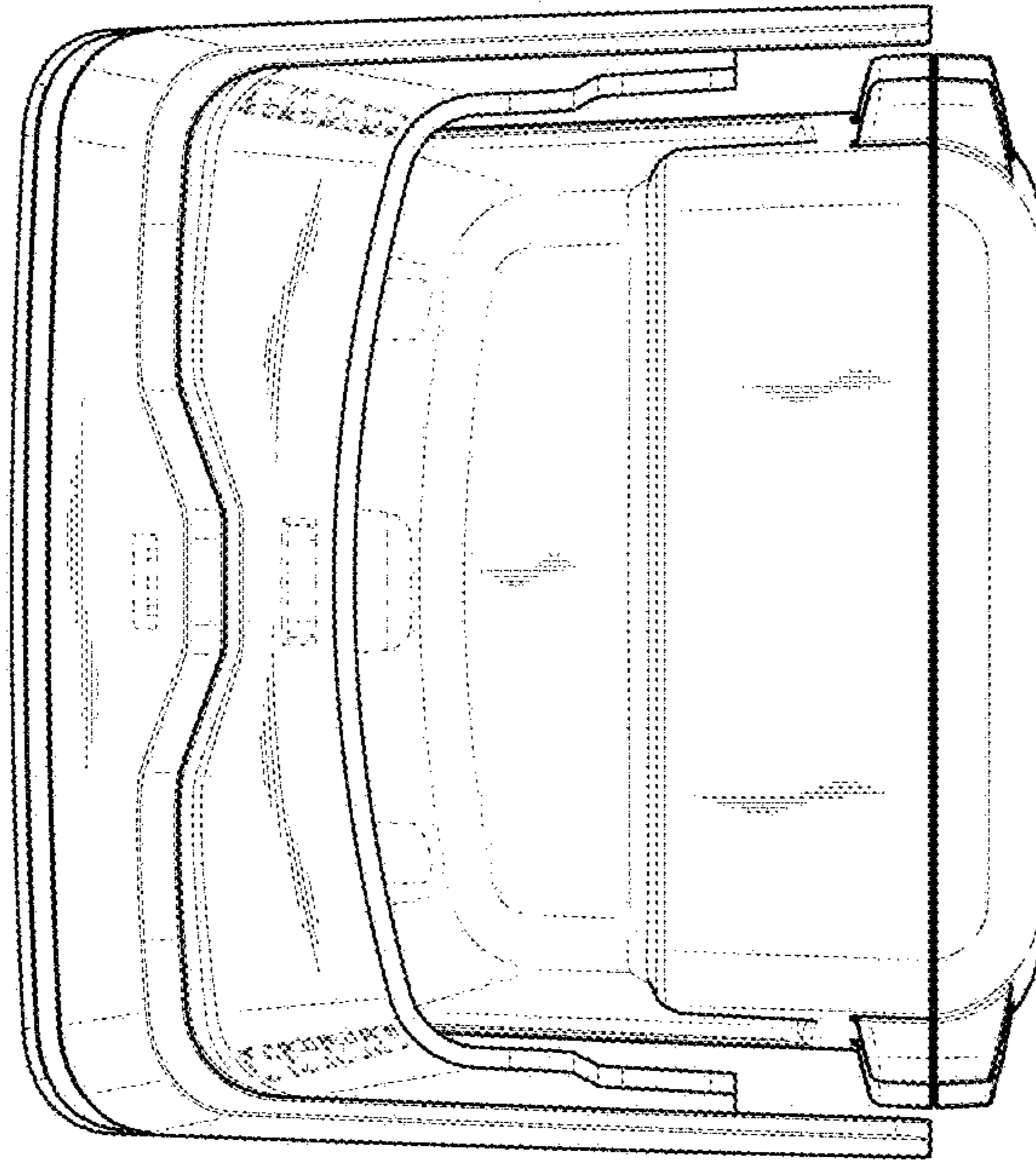


FIG. 3

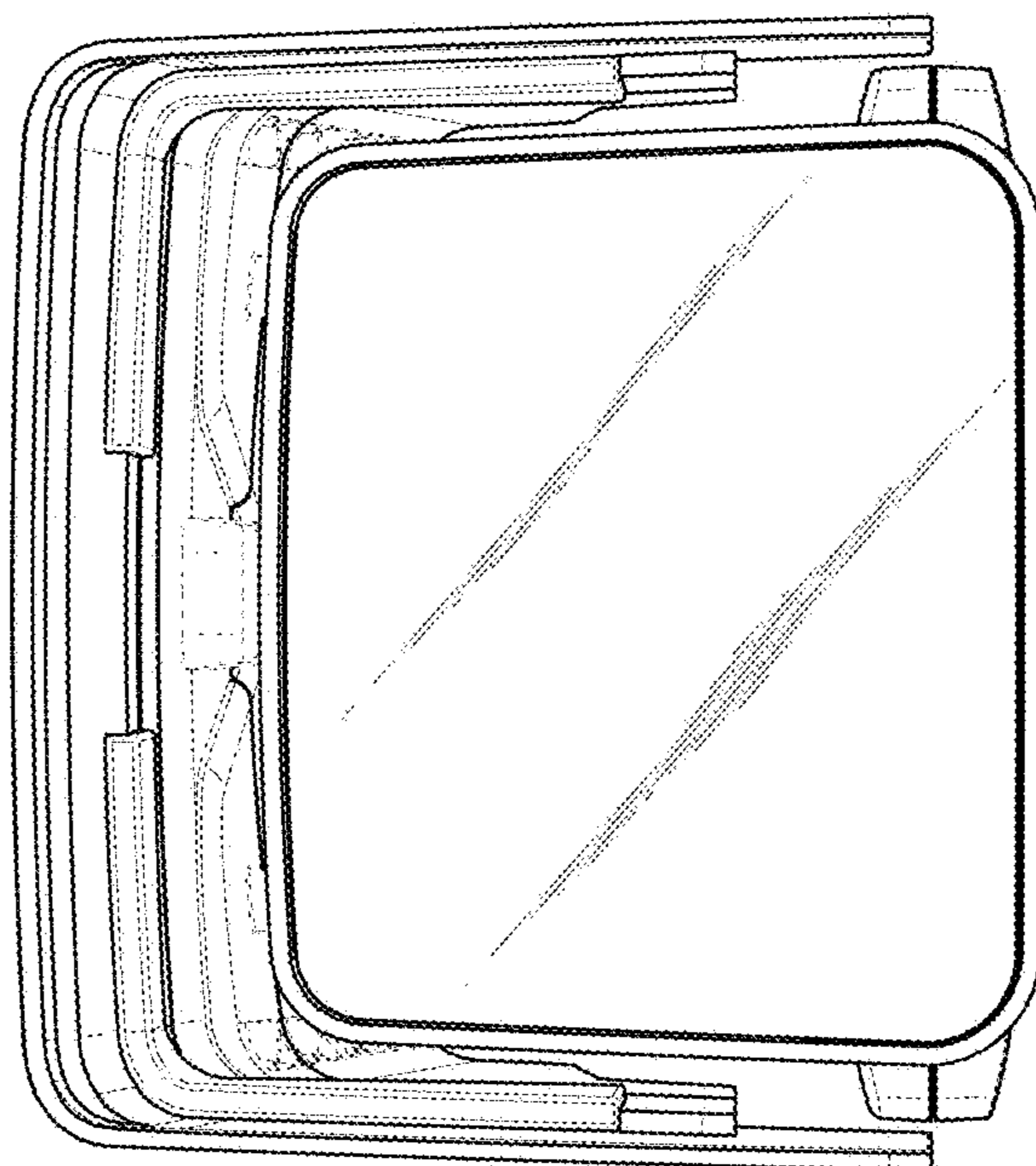


FIG. 2



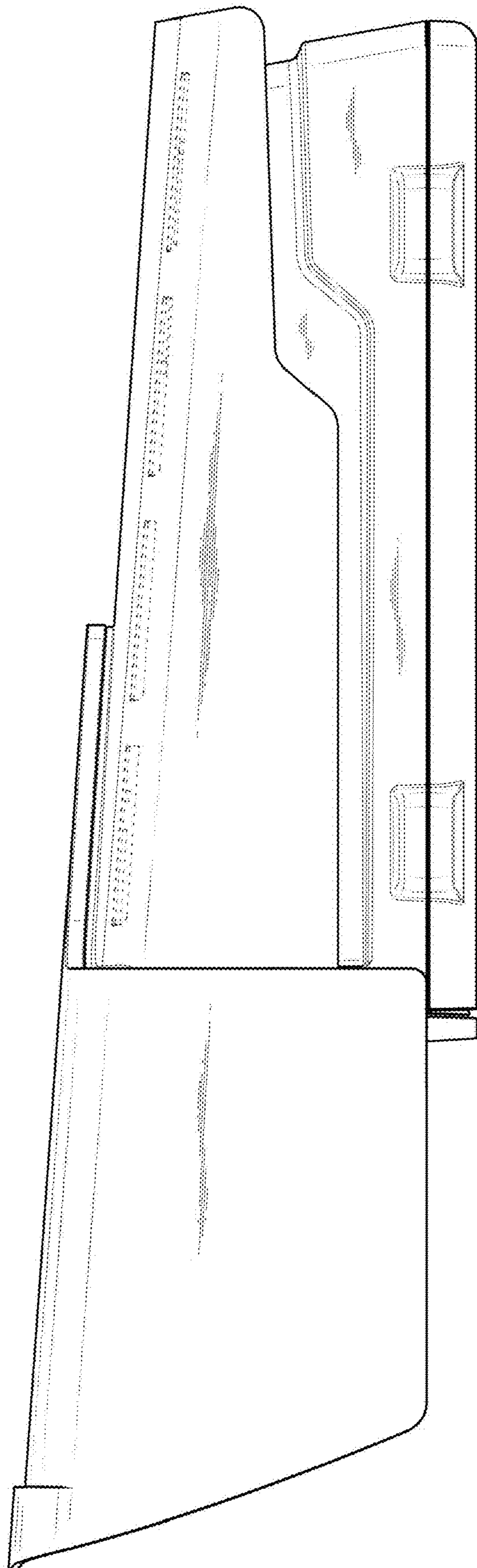


FIG. 4

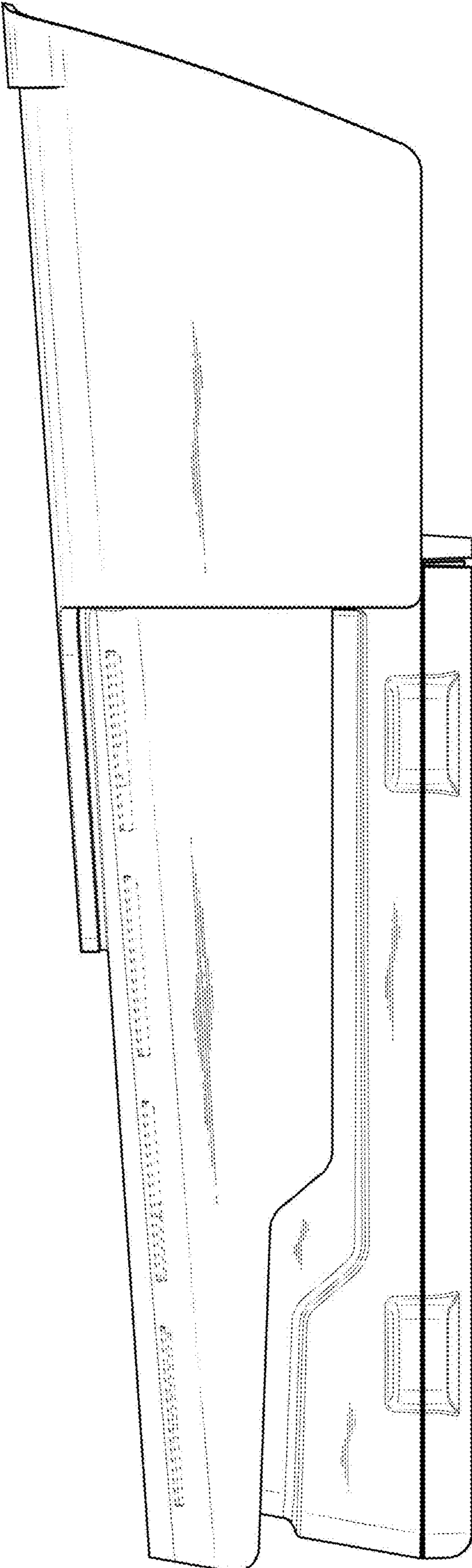


FIG. 5

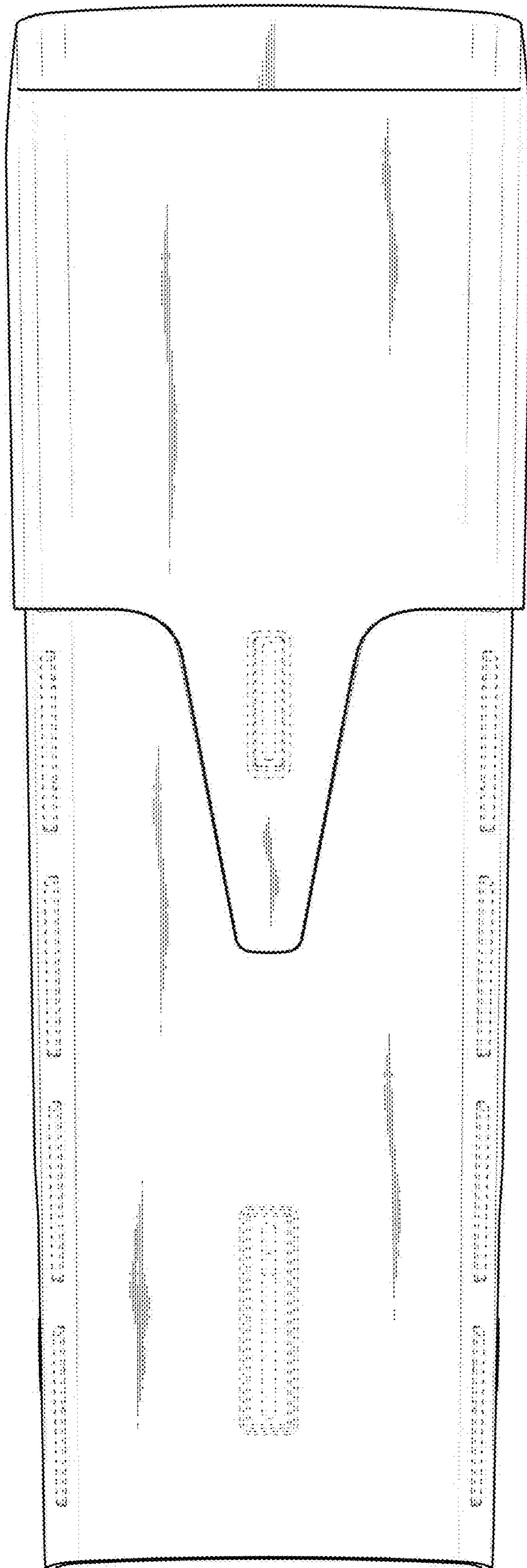


FIG. 6

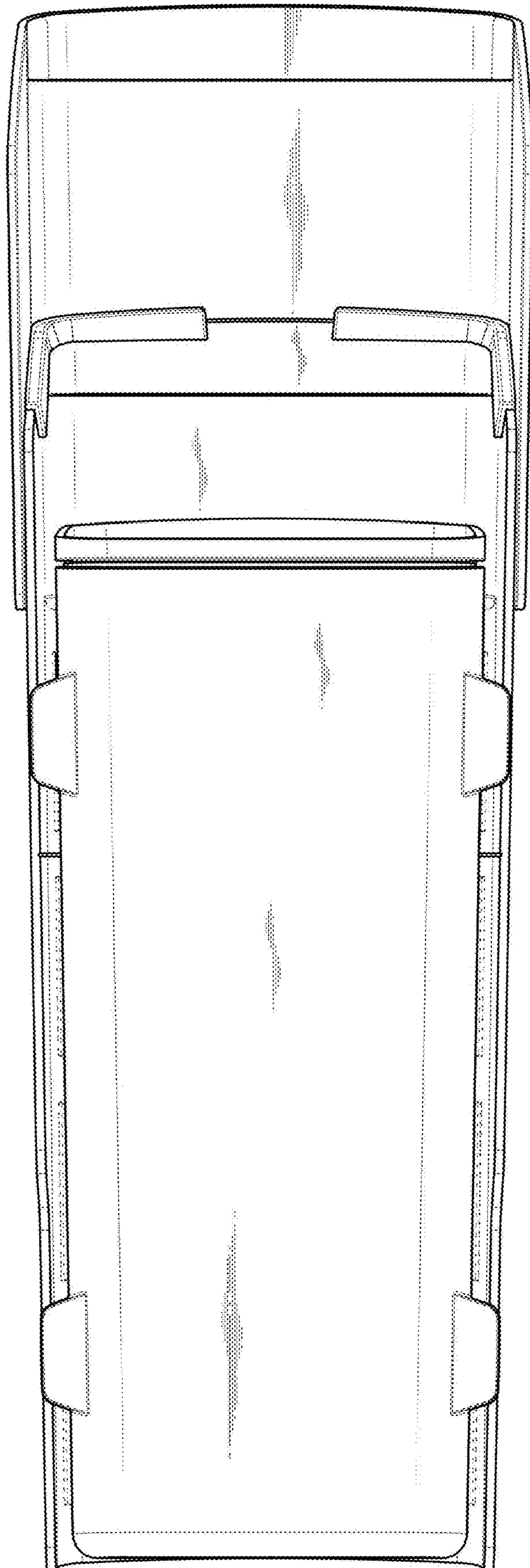


FIG. 7