



US00D885455S

(12) **United States Design Patent**
Kanemori et al.

(10) **Patent No.:** **US D885,455 S**
(45) **Date of Patent:** **** May 26, 2020**

(54) **CAMERA**

(71) Applicant: **MAXELL HOLDINGS, LTD.**,
Otokuni-gun, Kyoto (JP)

(72) Inventors: **Yuki Kanemori**, Otokuni-gun (JP);
Hironobu Nagano, Otokuni-gun (JP);
Akira Takagi, Otokuni-gun (JP);
Hiroyuki Yoshimura, Otokuni-gun (JP)

(73) Assignee: **MAXELL HOLDINGS, LTD.**,
Otokuni-gun (JP)

(**) Term: **15 Years**

(21) Appl. No.: **29/646,736**

(22) Filed: **May 7, 2018**

(30) **Foreign Application Priority Data**

Nov. 7, 2017 (JP) 2017-024811

(51) **LOC (12) Cl.** **16-01**

(52) **U.S. Cl.**
USPC **D16/202**

(58) **Field of Classification Search**

USPC D16/200, 202, 208, 209, 210, 218, 219

CPC G03B 15/03; G03B 15/05; G03B 17/00;
G03B 17/02; G03B 17/08; G03B 17/16;
G03B 19/00; G03B 19/02; G03B 19/20;
G03B 19/22; H04N 5/2251; H04N
5/2252; H04N 5/2253; H04N 5/907

See application file for complete search history.

(56) **References Cited**

U.S. PATENT DOCUMENTS

D477,344 S * 7/2003 Ng D16/202
D481,404 S * 10/2003 Ng D16/202

D486,469 S * 2/2004 Morita D14/167
D496,355 S * 9/2004 Harshbarger D14/248
D503,182 S * 3/2005 Ogura D16/202
D508,708 S * 8/2005 Ogura D16/202
D638,870 S * 5/2011 Kim D16/202
D671,156 S * 11/2012 Lin D16/202
D800,201 S * 10/2017 Song D16/202
D805,570 S * 12/2017 Shi D16/202
D816,752 S * 5/2018 Kim D16/202
D835,701 S * 12/2018 Song D16/219
D848,508 S * 5/2019 Hsu D16/218
2004/0209577 A1* 10/2004 Park H04M 1/0235
455/90.3
2005/0024526 A1* 2/2005 Wang H04N 5/2252
348/373

* cited by examiner

Primary Examiner — Sandra S Snapp

Assistant Examiner — Ieisha N Price

(74) *Attorney, Agent, or Firm* — Oliff PLC

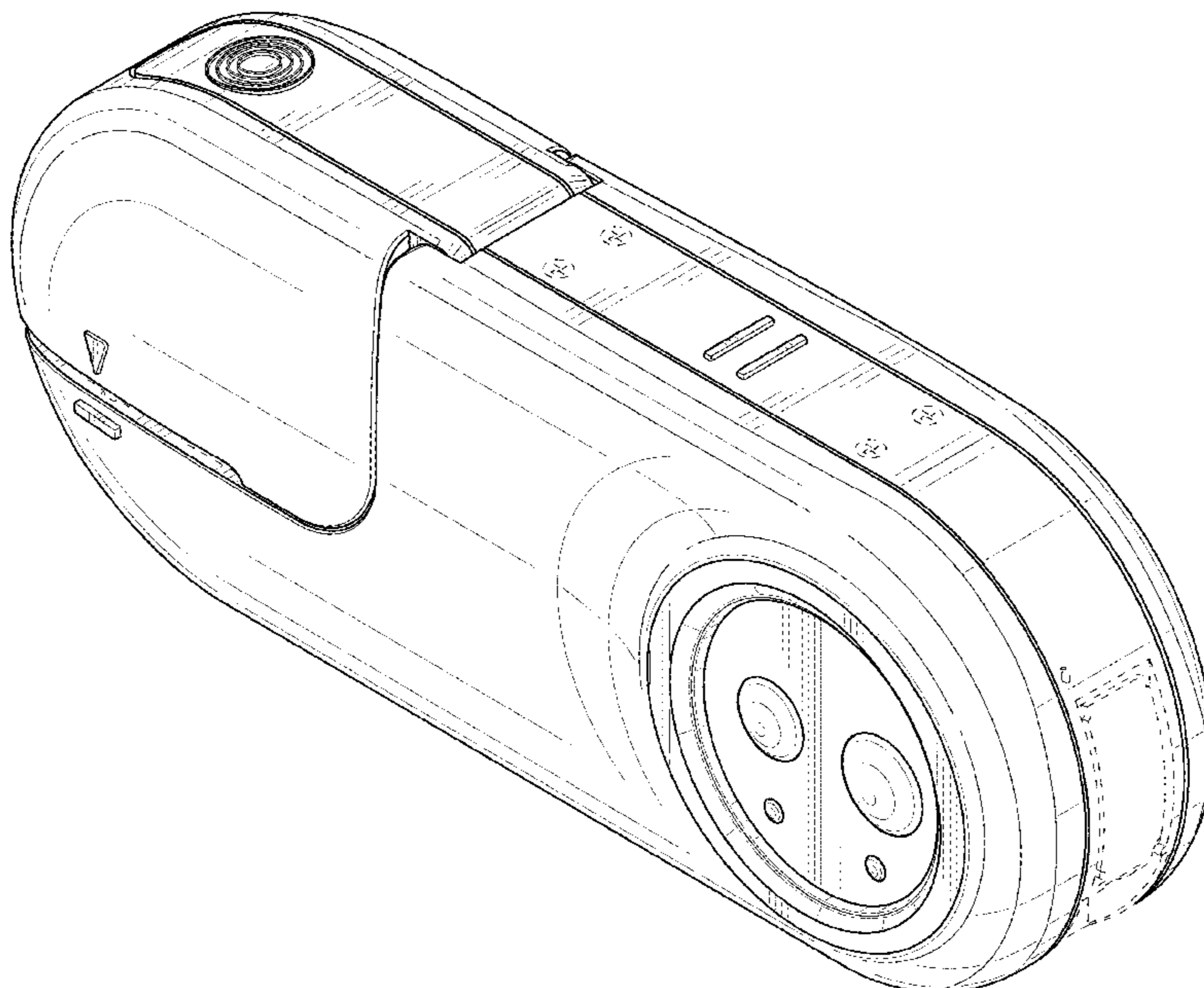
(57) **CLAIM**

The ornamental design for a camera, as shown and described.

DESCRIPTION

FIG. 1 is a front, right-side, top perspective view of the camera;
FIG. 2 is a rear, left-side, bottom perspective view thereof;
FIG. 3 is a front elevational view thereof;
FIG. 4 is a rear elevational view thereof;
FIG. 5 is a left-side elevational view thereof;
FIG. 6 is a right-side elevational view thereof;
FIG. 7 is a top plan view thereof;
FIG. 8 is a bottom plan view thereof; and,
FIG. 9 is a front elevational view thereof in an open configuration. The broken lines in the drawings illustrate portions of the camera and form part of the claimed design.

1 Claim, 8 Drawing Sheets



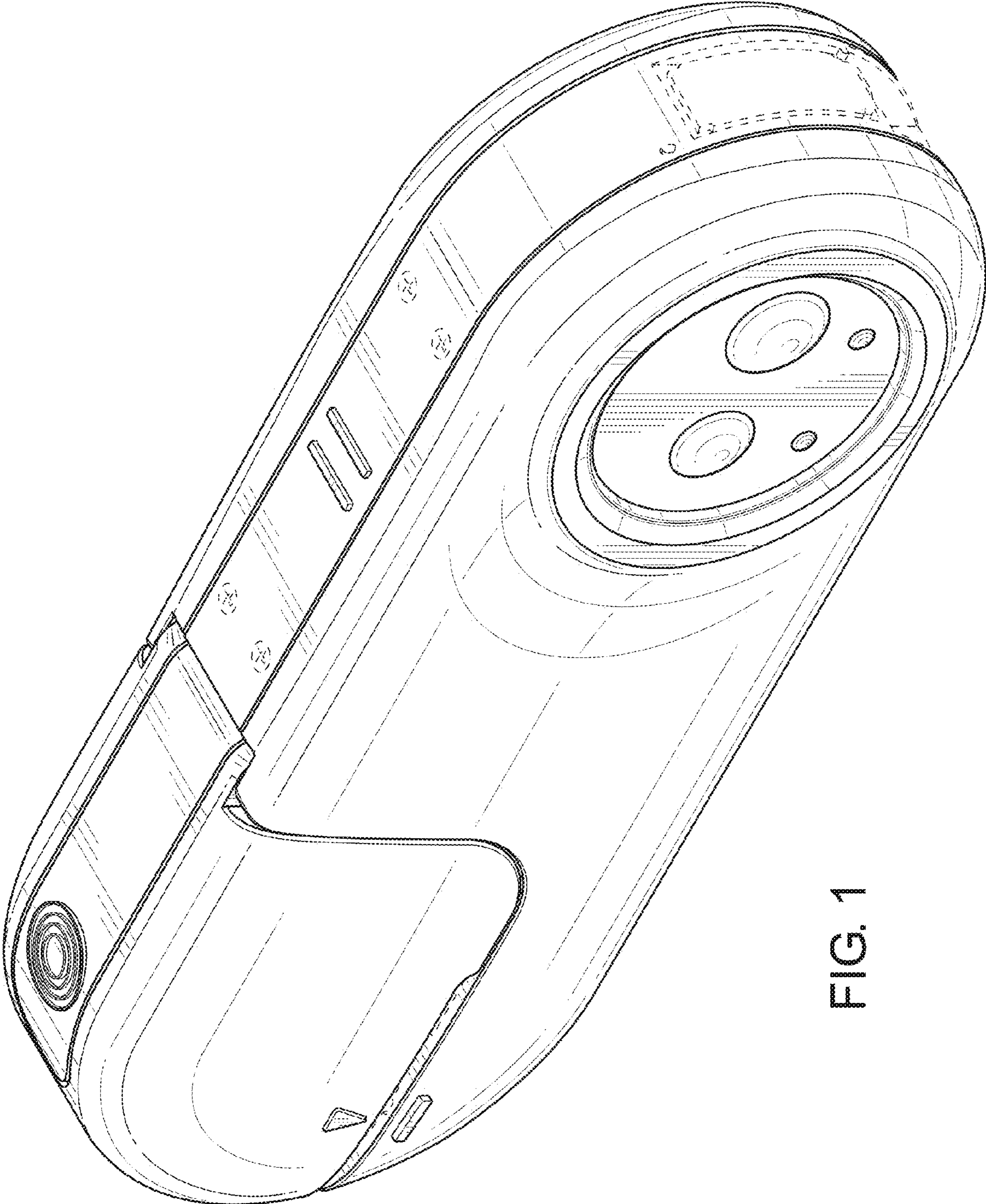


FIG. 1

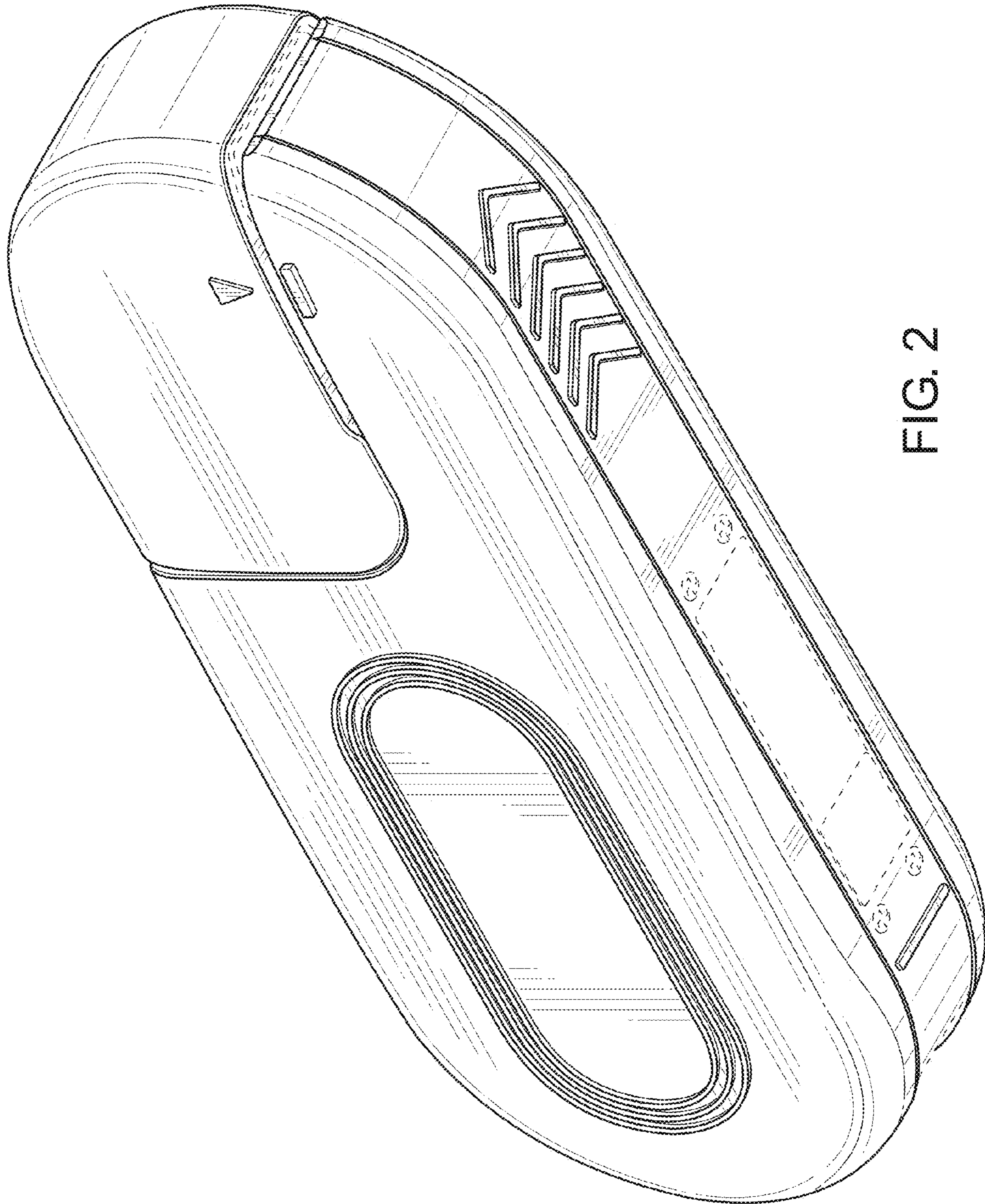


FIG. 2

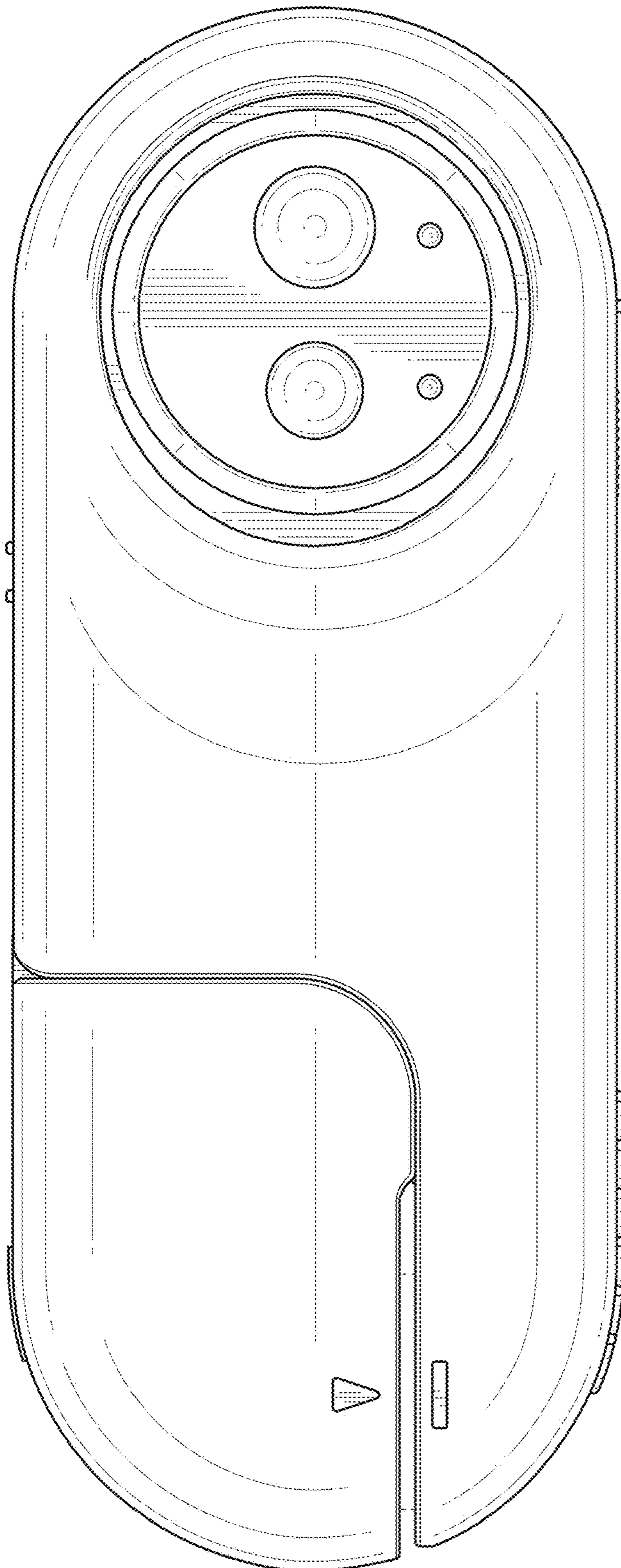


FIG. 3

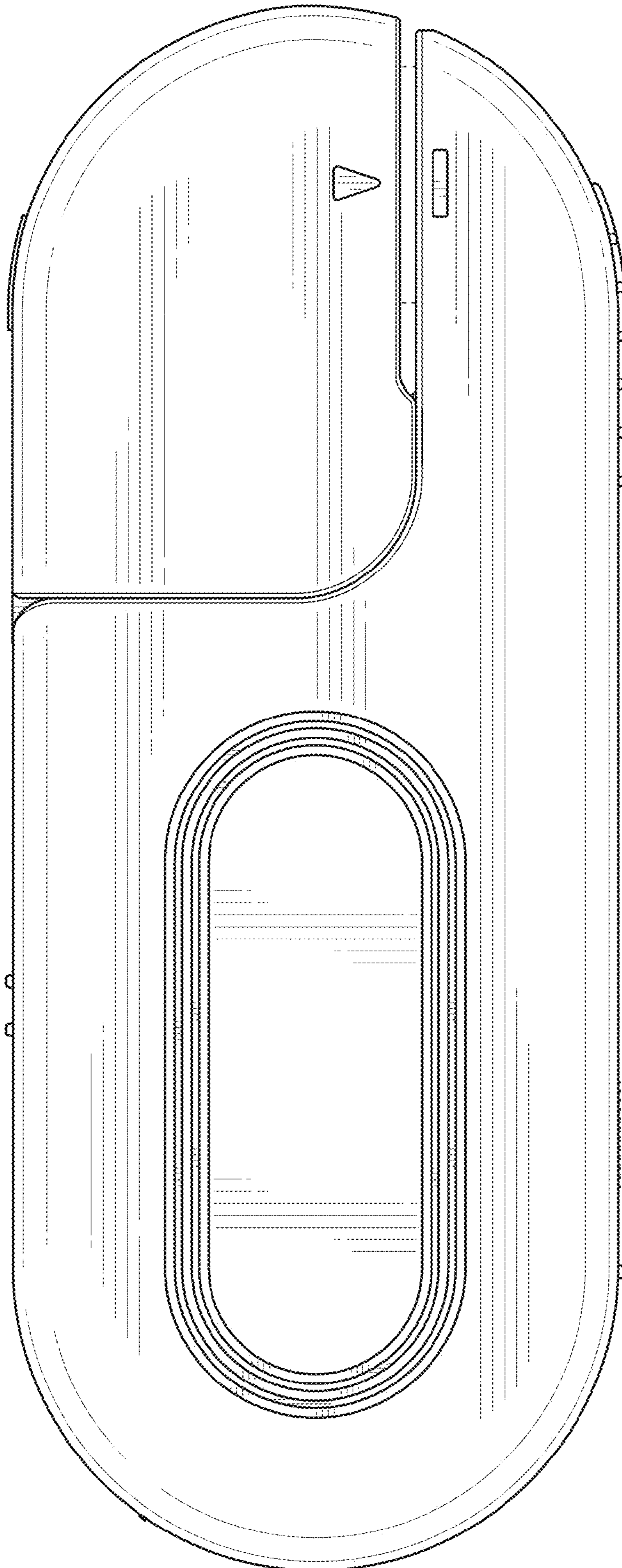


FIG. 4

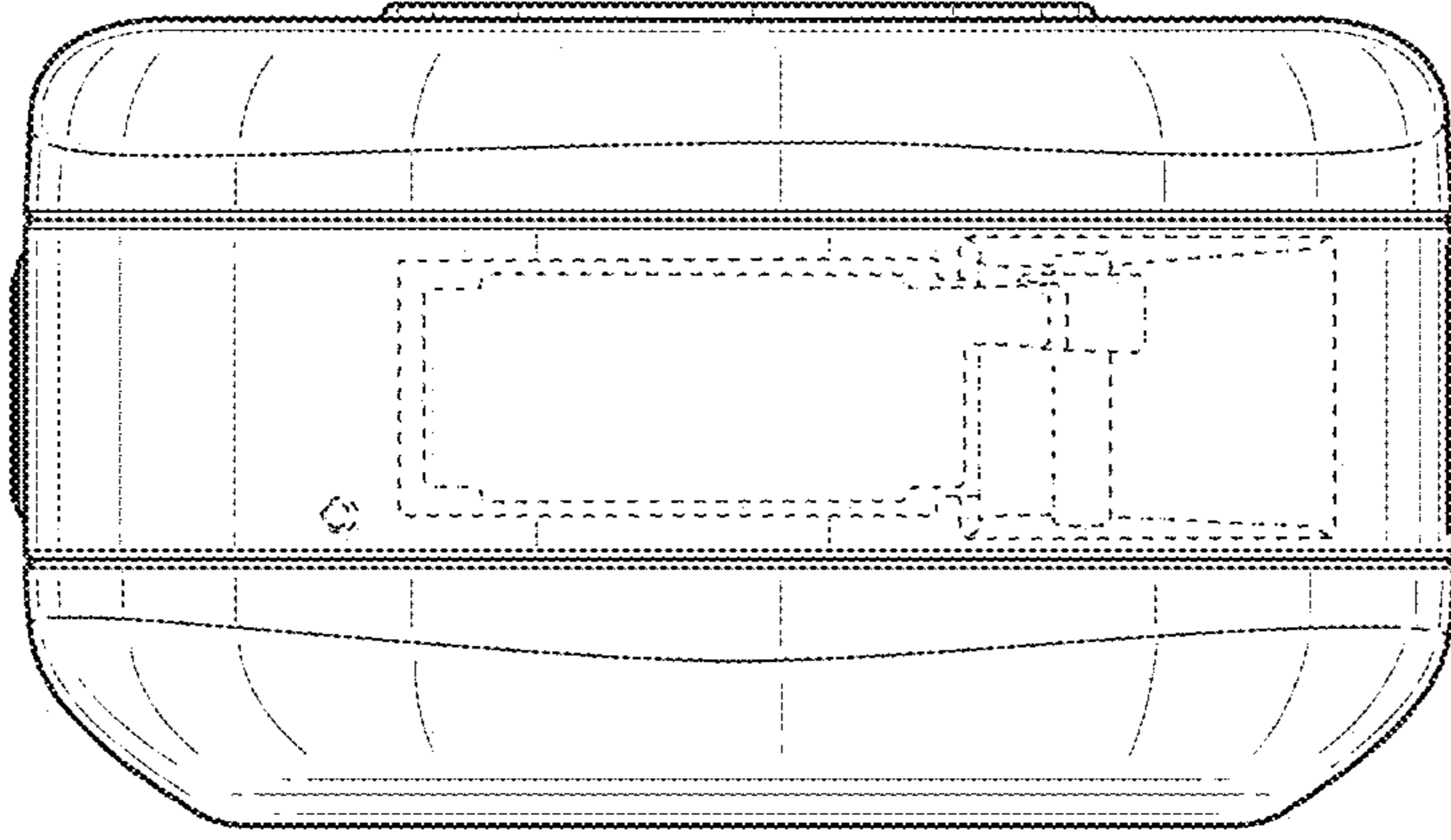


FIG. 6

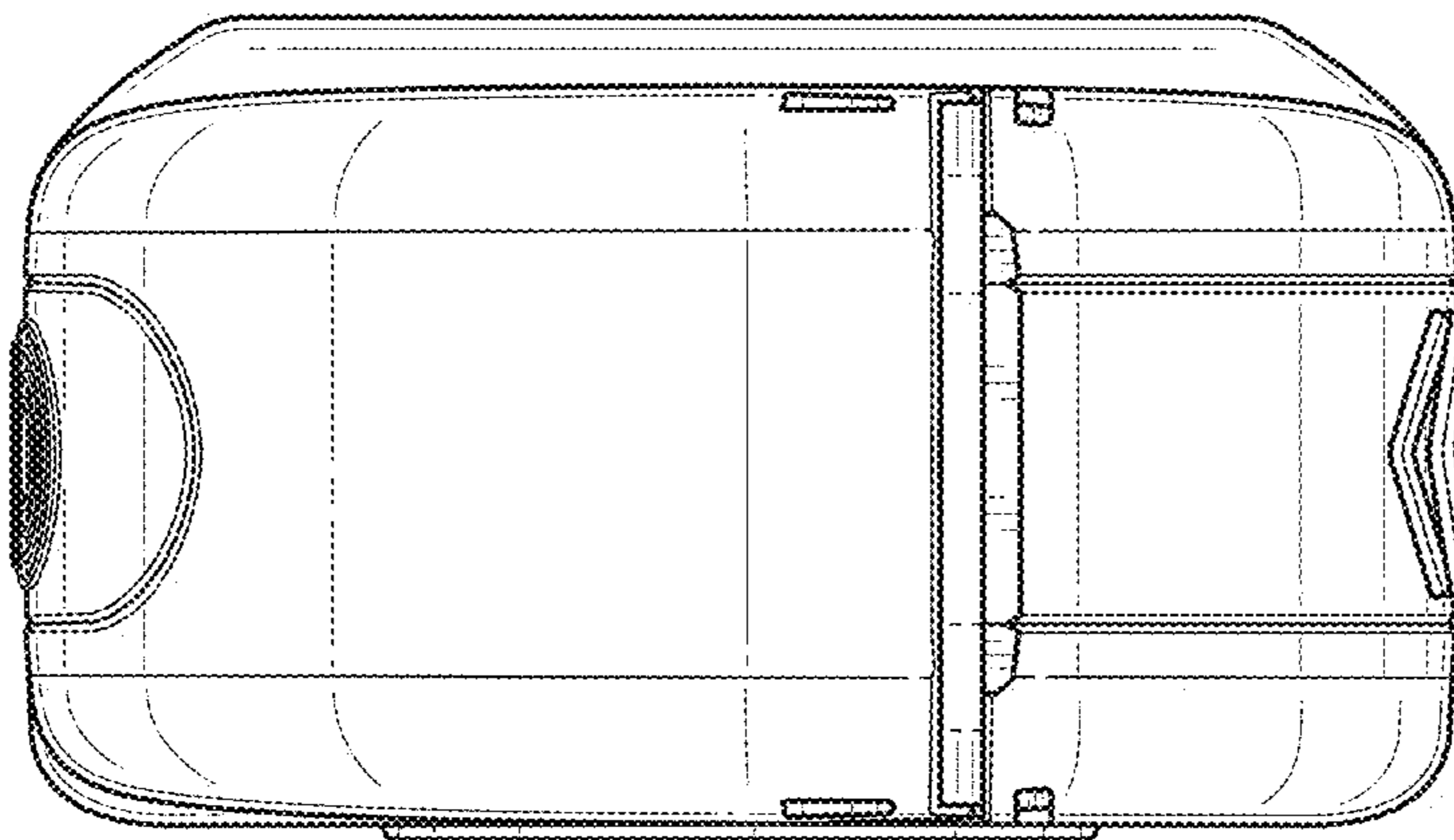


FIG. 5

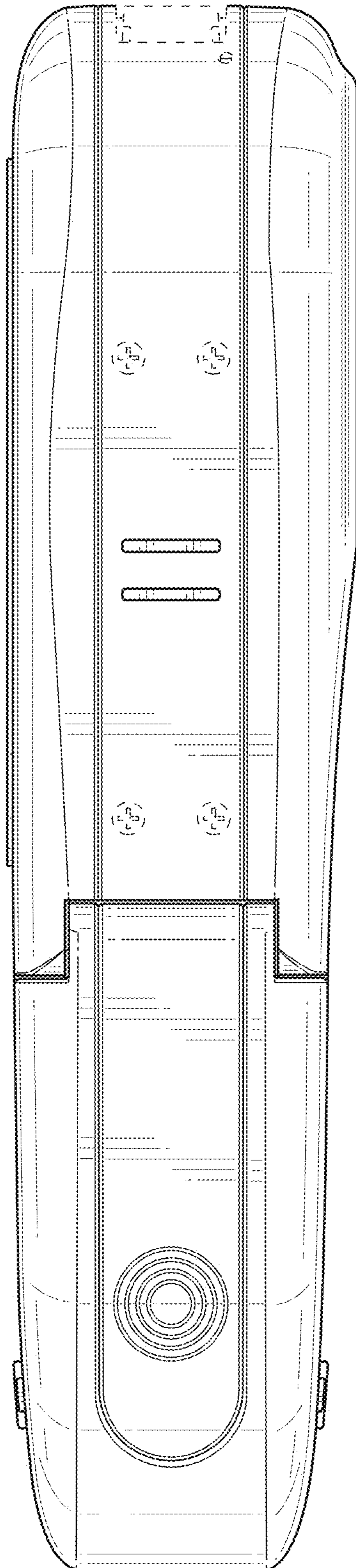


FIG. 7

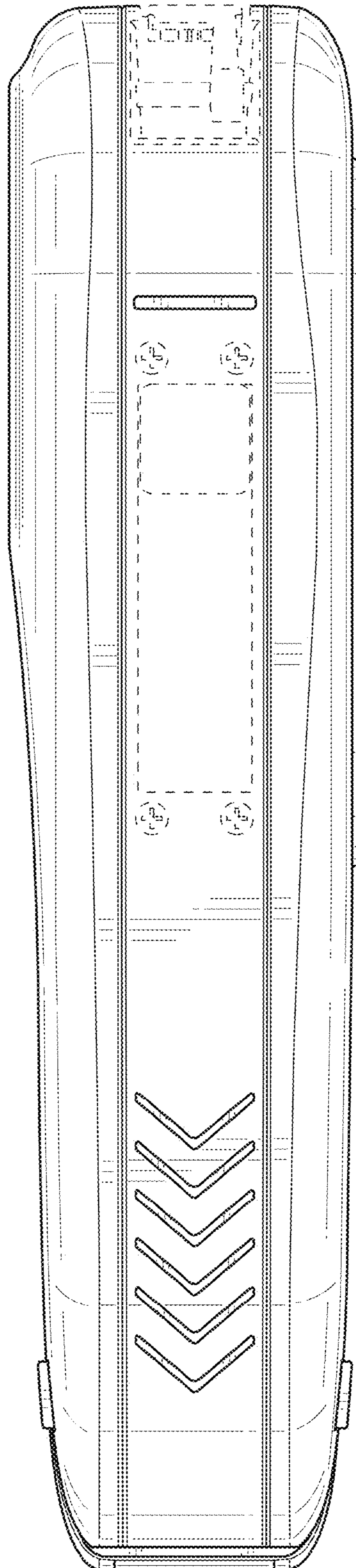


FIG. 8

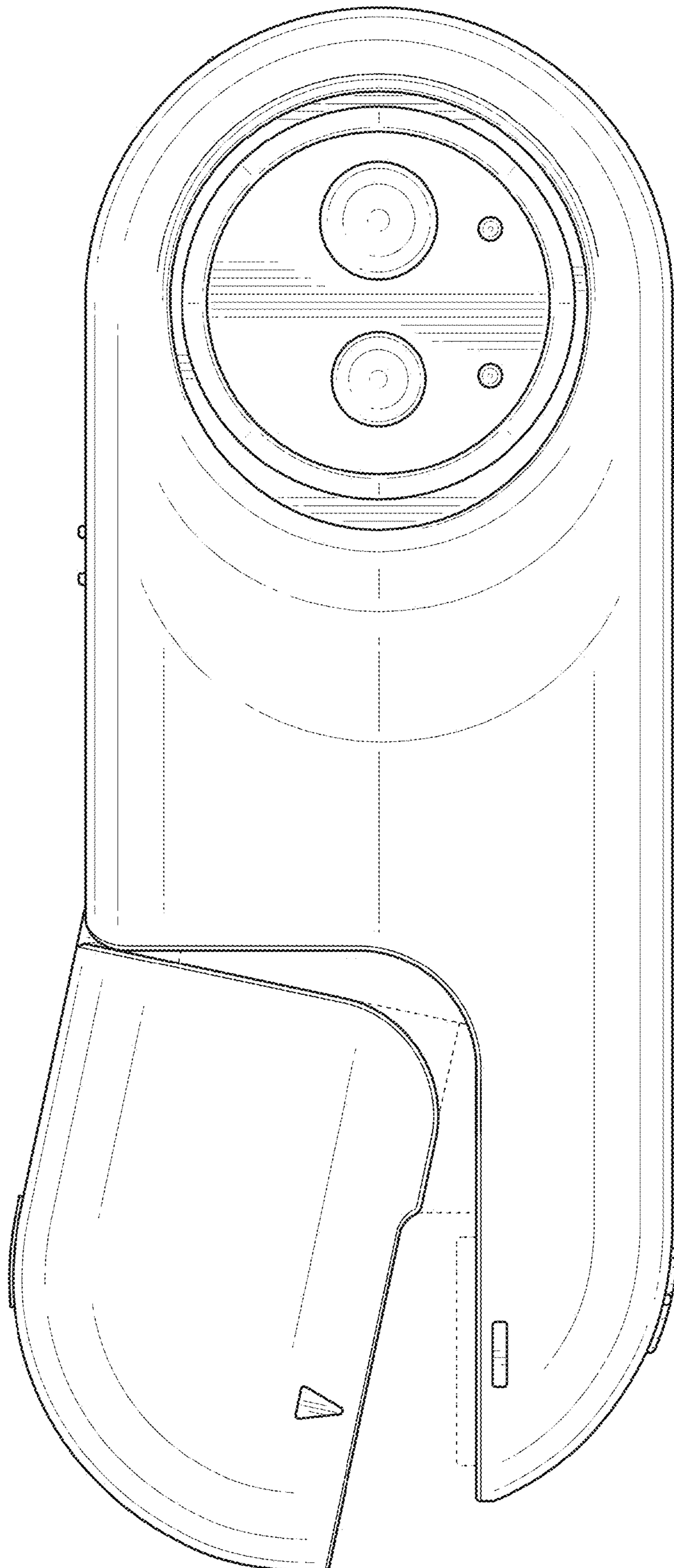


FIG. 9