



US00D885454S

(12) **United States Design Patent**  
**Liu**

(10) **Patent No.:** **US D885,454 S**

(45) **Date of Patent:** **\*\* May 26, 2020**

(54) **DIGITAL MICROSCOPE**

7,336,295 B2 \* 2/2008 Sukenari ..... H04N 5/23293  
348/61

(71) Applicant: **SHENZHEN ANDONSTAR TECHNOLOGY CO., LTD**, Shenzhen, Guangdong (CN)

D564,033 S \* 3/2008 Itskov ..... D21/329  
D600,727 S \* 9/2009 Apotheloz ..... D16/131  
D637,638 S \* 5/2011 Noda ..... D16/130  
D638,045 S \* 5/2011 Noda ..... D16/130

(72) Inventor: **Yao-Dong Liu**, Guangdong (CN)

\* cited by examiner

(73) Assignee: **SHENZHEN ANDONSTAR TECHNOLOGY CO., LTD**, Shenzhen, Guangdong (CN)

*Primary Examiner* — Holly E Thurman

(74) *Attorney, Agent, or Firm* — Muncy, Geissler, Olds & Lowe, P.C.

(\*\*) Term: **15 Years**

(21) Appl. No.: **29/660,465**

(57) **CLAIM**

(22) Filed: **Aug. 21, 2018**

The ornamental design for a digital microscope, as shown and described.

(30) **Foreign Application Priority Data**

Apr. 4, 2018 (CN) ..... 2018 3 0134215

(51) **LOC (12) Cl.** ..... **16-06**

(52) **U.S. Cl.**  
USPC ..... **D16/131**

(58) **Field of Classification Search**  
USPC ..... D16/130, 131, 134, 136  
CPC ..... G02B 23/16  
See application file for complete search history.

**DESCRIPTION**

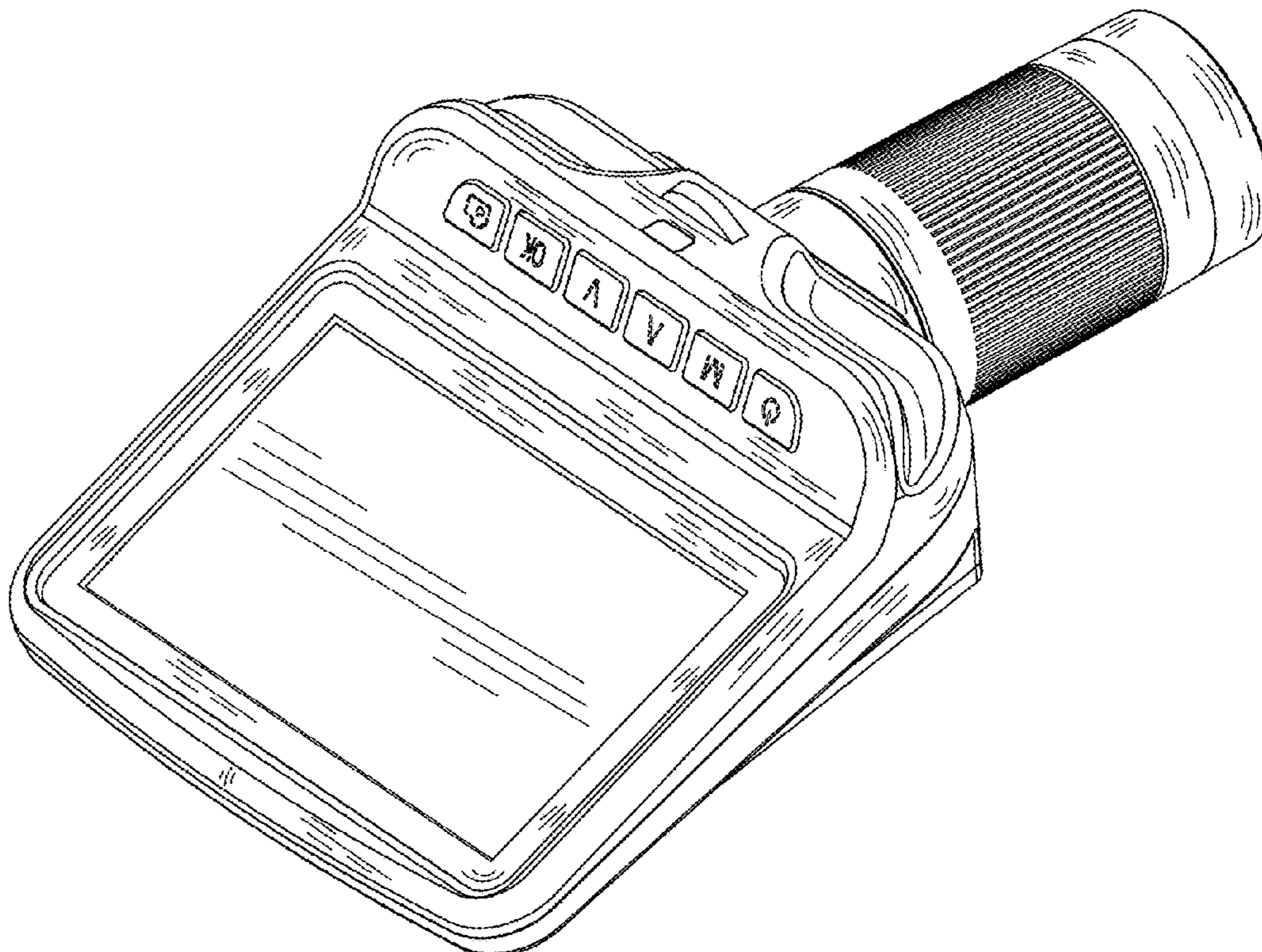
FIG. 1 is a perspective view of the digital microscope, showing our new design;  
FIG. 2 is a front elevational view thereof;  
FIG. 3 is a rear elevational view thereof;  
FIG. 4 is a left side elevational view thereof;  
FIG. 5 is a right elevational view thereof;  
FIG. 6 is a top elevational view thereof; and,  
FIG. 7 is a bottom elevational view thereof.  
The broken lines illustrate portions of the digital microscope which form no part of the claimed design.

(56) **References Cited**

**U.S. PATENT DOCUMENTS**

D359,059 S \* 6/1995 Omi ..... D16/131  
5,694,242 A \* 12/1997 Omi ..... G02B 21/364  
353/39

**1 Claim, 7 Drawing Sheets**



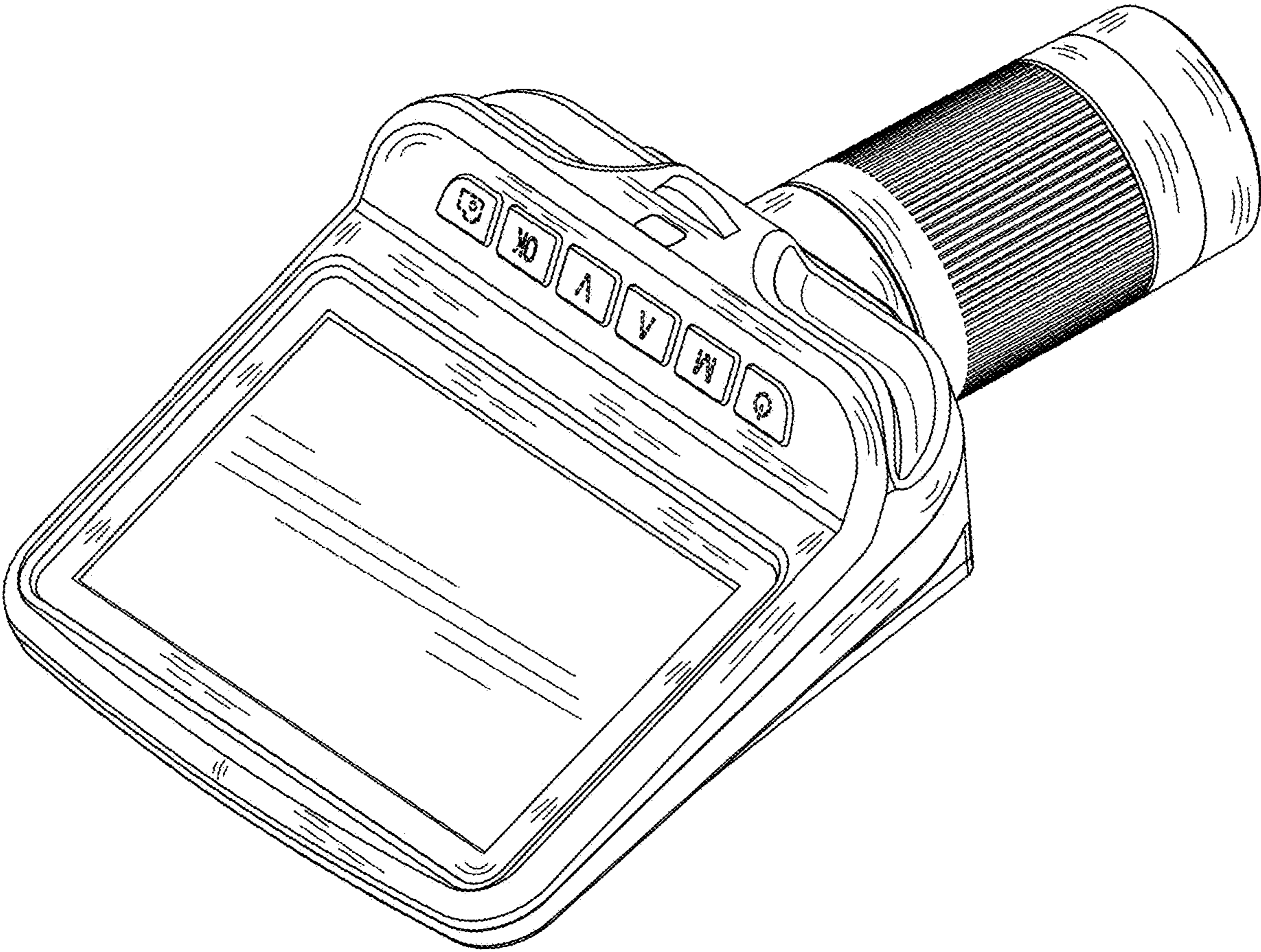


FIG. 1

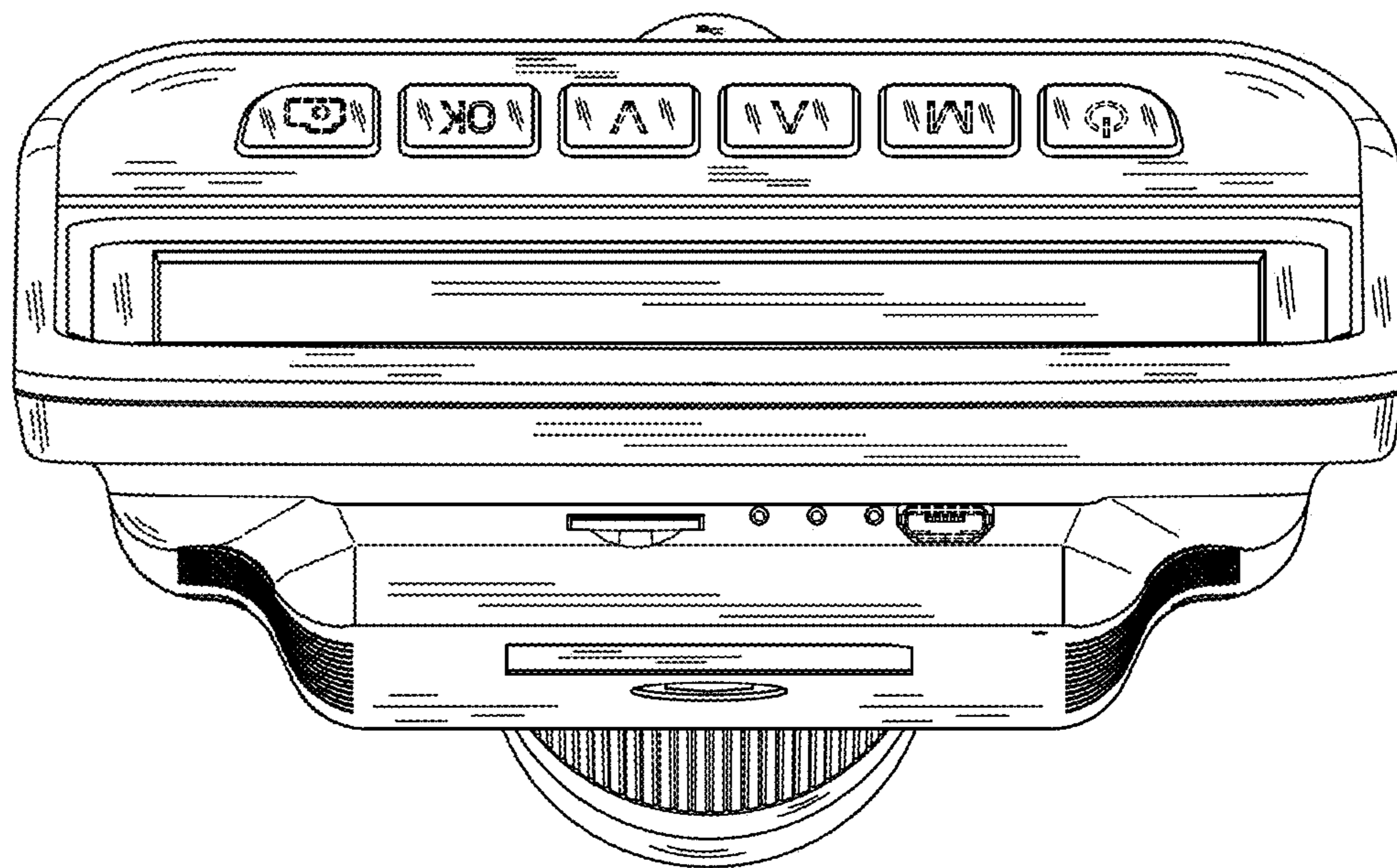


FIG. 2

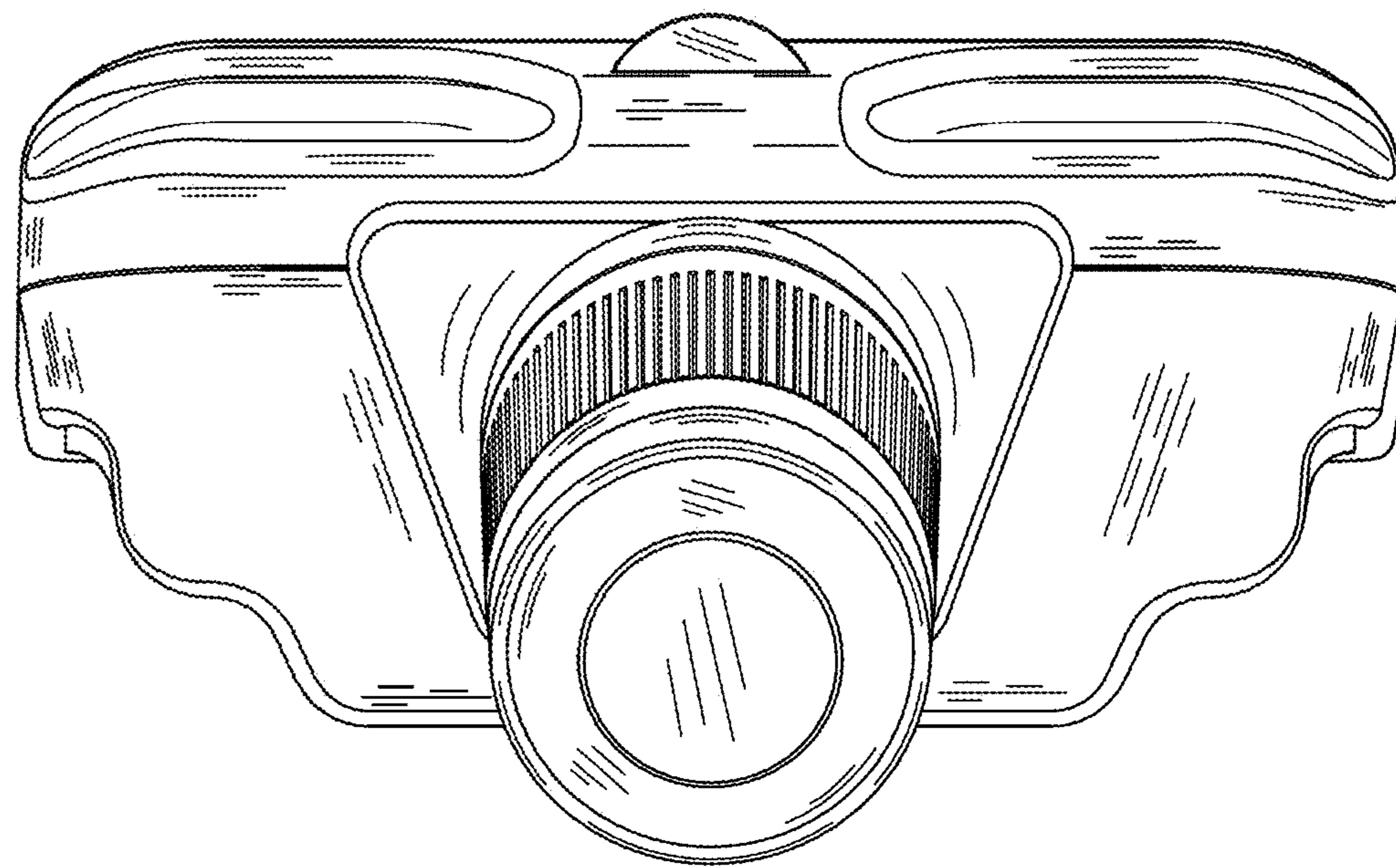


FIG. 3

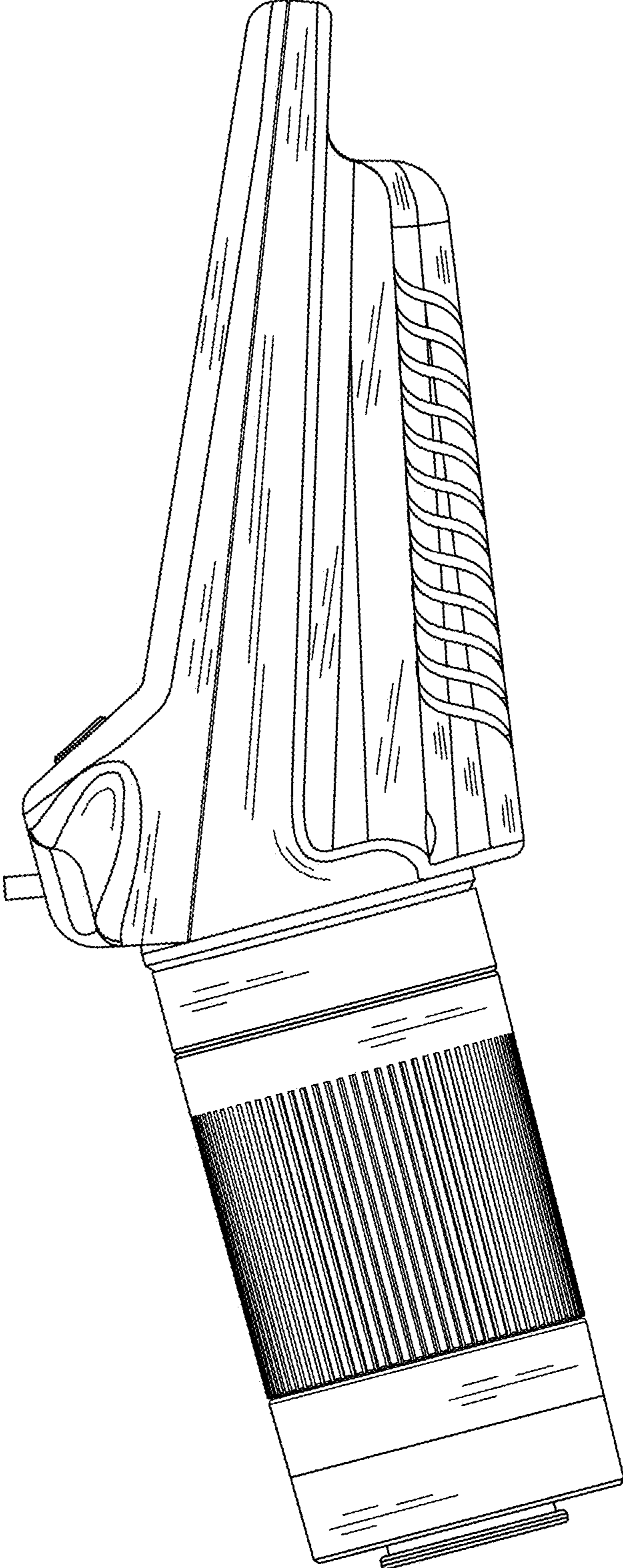


FIG. 4

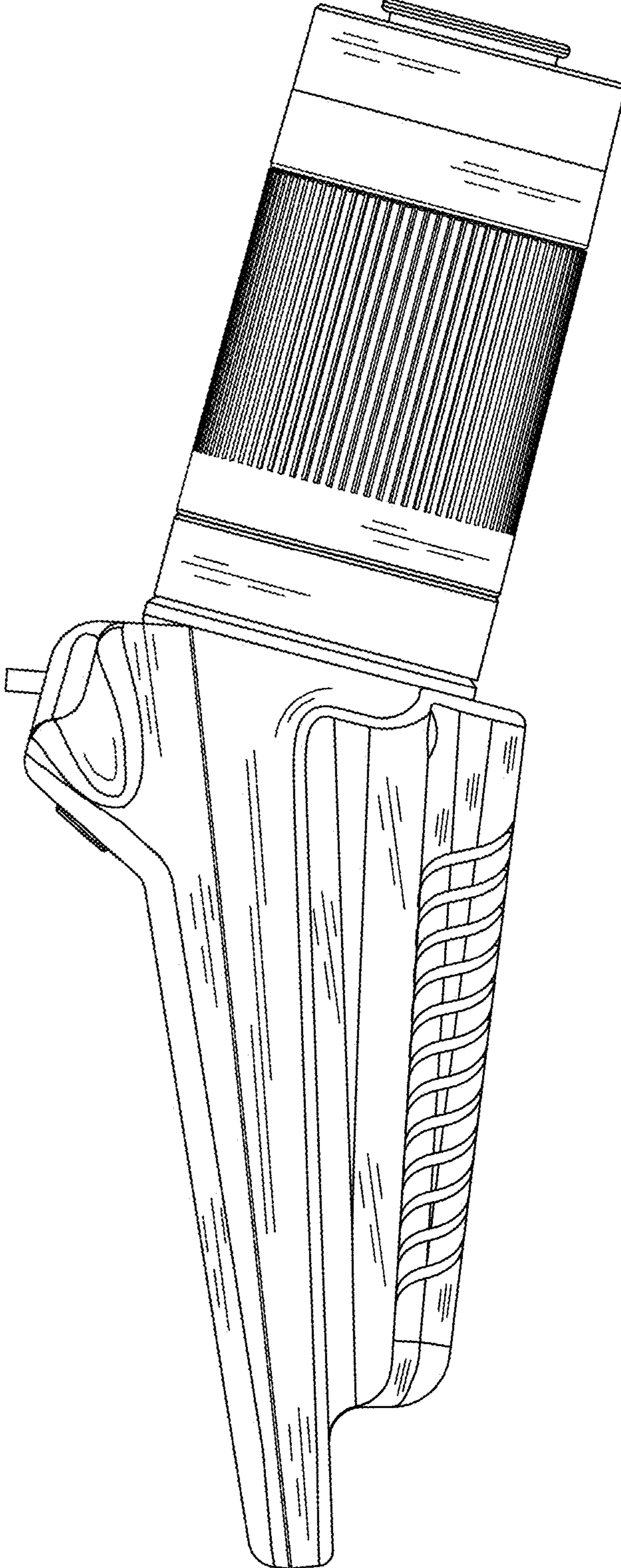


FIG. 5



FIG. 6

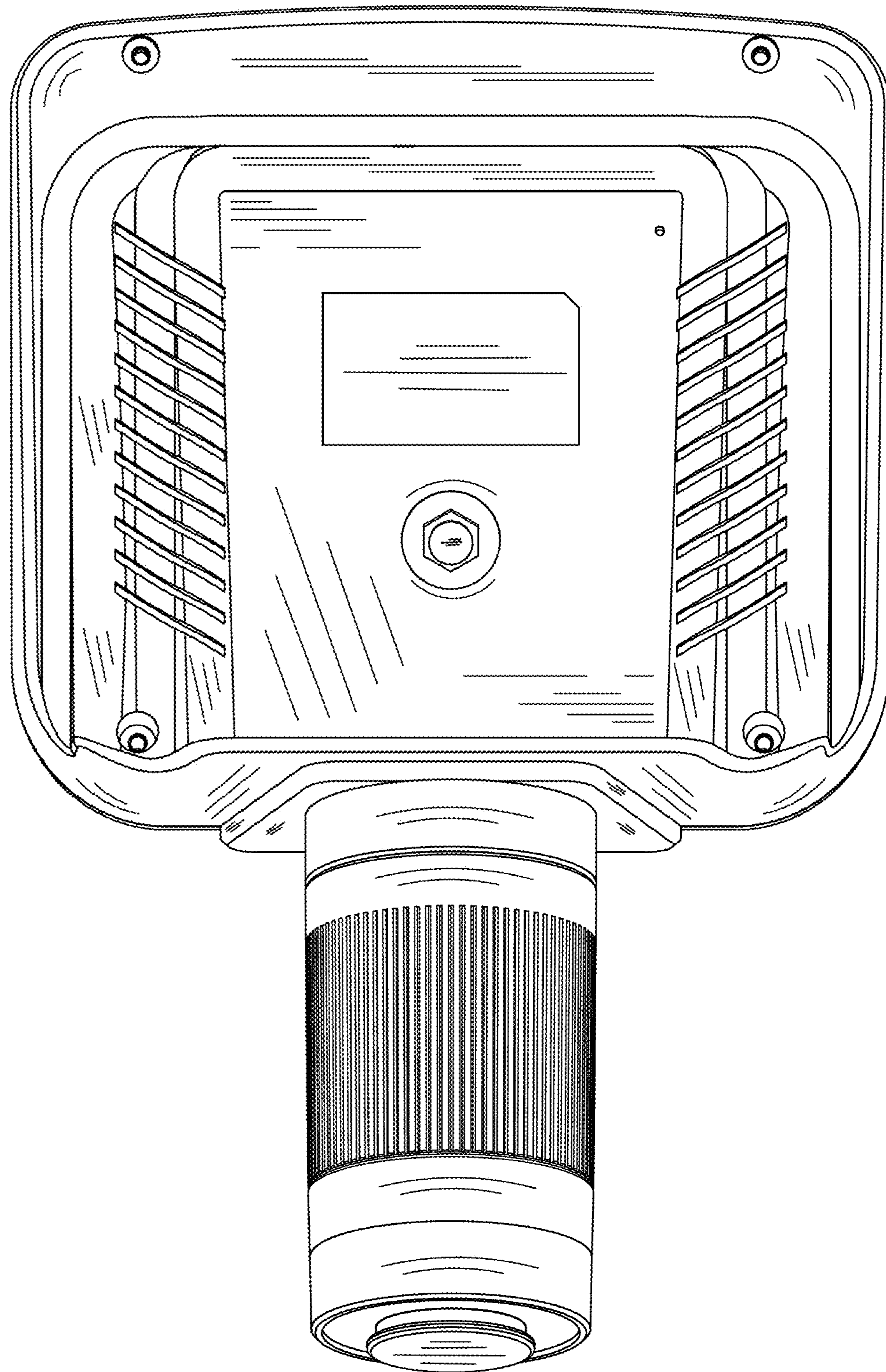


FIG. 7