



US00D885452S

(12) **United States Design Patent**
Haddadin

(10) **Patent No.:** **US D885,452 S**

(45) **Date of Patent:** **** May 26, 2020**

(54) **ROBOT**

(71) Applicants: **kBee AG**, Munich (DE); **Sami Haddadin**, Hannover (DE)

(72) Inventor: **Sami Haddadin**, Hannover (DE)

(**) Term: **15 Years**

(21) Appl. No.: **29/694,481**

(22) Filed: **Jun. 11, 2019**

Related U.S. Application Data

(63) Continuation of application No. 29/560,502, filed on Apr. 7, 2016, now abandoned.

(30) **Foreign Application Priority Data**

Oct. 8, 2015 (DE) 40 2015 001 656

(51) **LOC (12) Cl.** **15-99**

(52) **U.S. Cl.**
USPC **D15/199**

(58) **Field of Classification Search**
USPC D15/199; D24/128, 184
CPC B25J 9/044; B25J 9/102; B25J 9/0095;
G06N 3/004; G06N 3/008; G06N 5/00;
H01L 21/68707; H01L 21/67748; H01L
21/67766; H01L 21/67778; Y10S 901/17;
Y10T 74/20305

See application file for complete search history.

(56) **References Cited**

U.S. PATENT DOCUMENTS

D638,455 S * 5/2011 Long D15/199
D670,319 S * 11/2012 Liu D15/199
D677,294 S * 3/2013 Long D15/199
D691,498 S * 10/2013 Bailey D10/63
D692,041 S * 10/2013 Selic D15/199

D716,357 S * 10/2014 Gombert D15/199
D776,178 S * 1/2017 Ries D15/199
2013/0125694 A1 * 5/2013 Long B25J 11/0075
74/490.01
2015/0127151 A1 * 5/2015 Riedel B25J 9/1643
700/250
2016/0016320 A1 * 1/2016 Rothfuss A61B 19/2203
74/490.03

* cited by examiner

Primary Examiner — Patricia A Palasik

(74) *Attorney, Agent, or Firm* — Grossman, Tucker, Perreault & Pfeleger, PLLC

(57) **CLAIM**

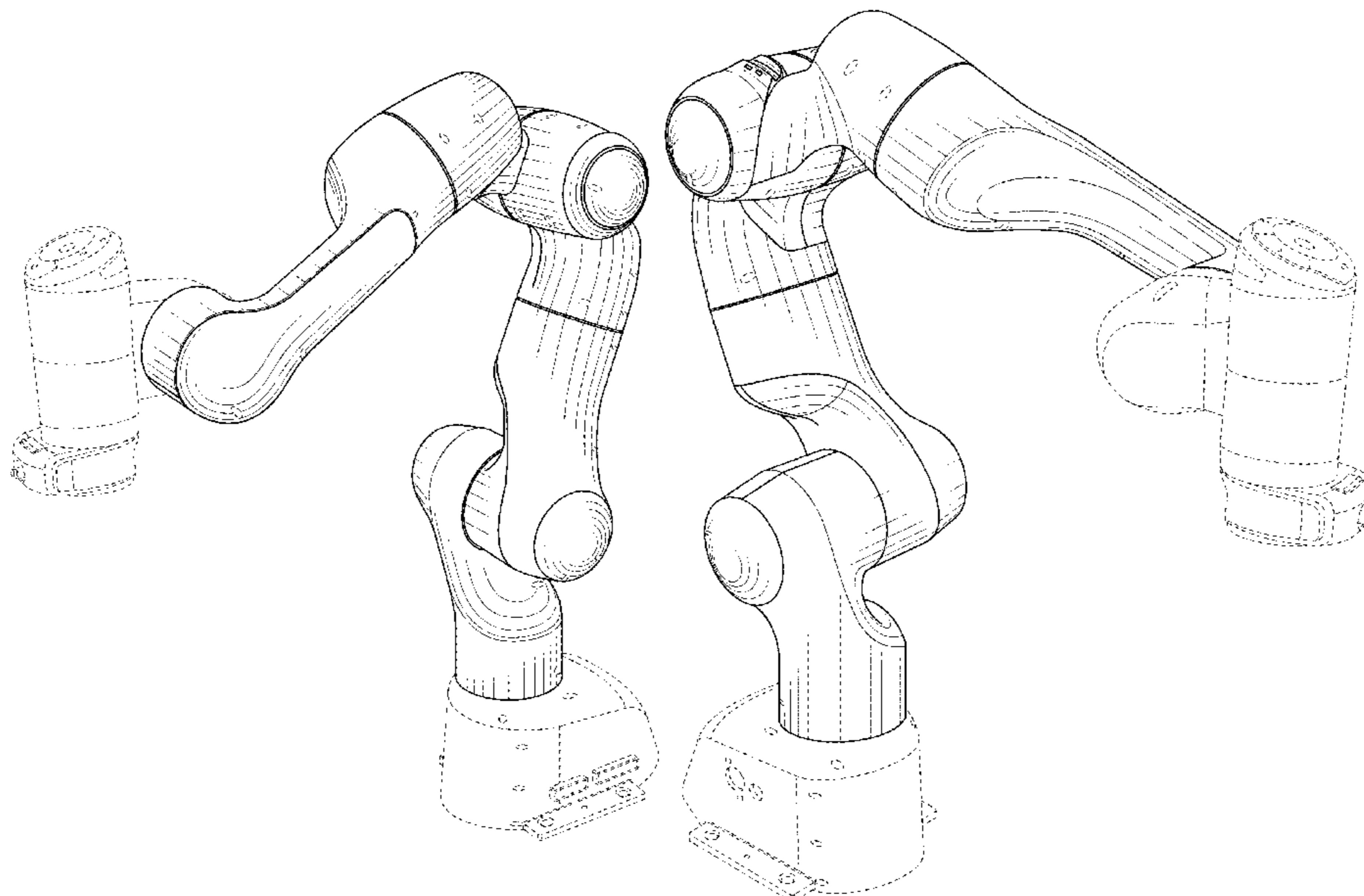
The ornamental design for a robot, substantially as shown and described.

DESCRIPTION

FIG. 1 is a top perspective view of a robot in a first pose showing my design;
FIG. 2 is another top perspective view of the robot in the first pose shown in FIG. 1;
FIG. 3 is a right side view of the robot in the first pose shown in FIG. 1;
FIG. 4 is a left side view of the robot in the first pose shown in FIG. 1;
FIG. 5 is a front view of the robot in the first pose shown in FIG. 1;
FIG. 6 is a back view of the robot in the first pose shown in FIG. 1;
FIG. 7 is a top view of the robot in the first pose shown in FIG. 1; and,
FIG. 8 is a bottom view of the robot in the first pose shown in FIG. 1.

The broken lines are included for the purpose of illustrating the unclaimed portions of the article and form no part of the claim.

1 Claim, 6 Drawing Sheets



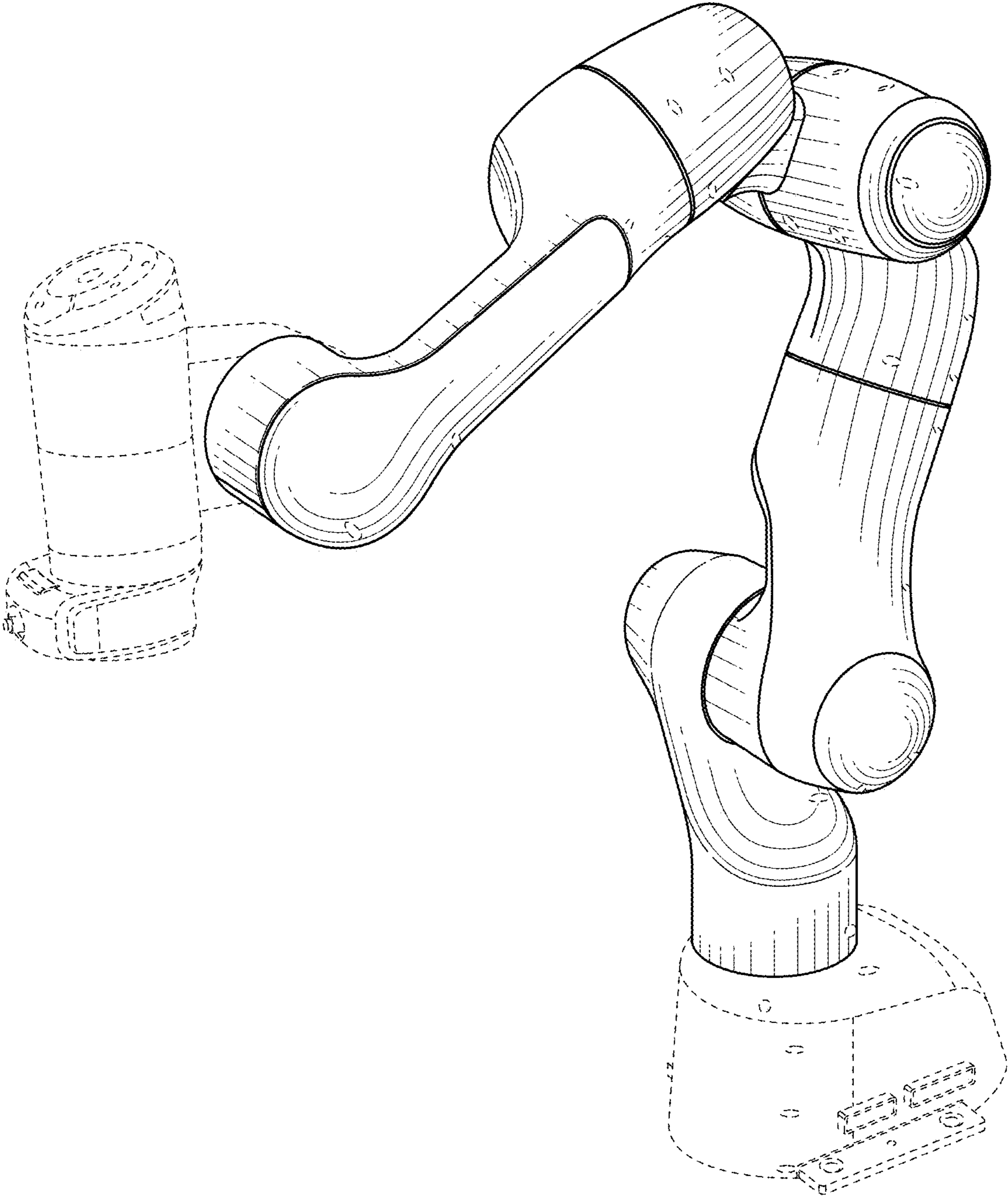


FIG. 1

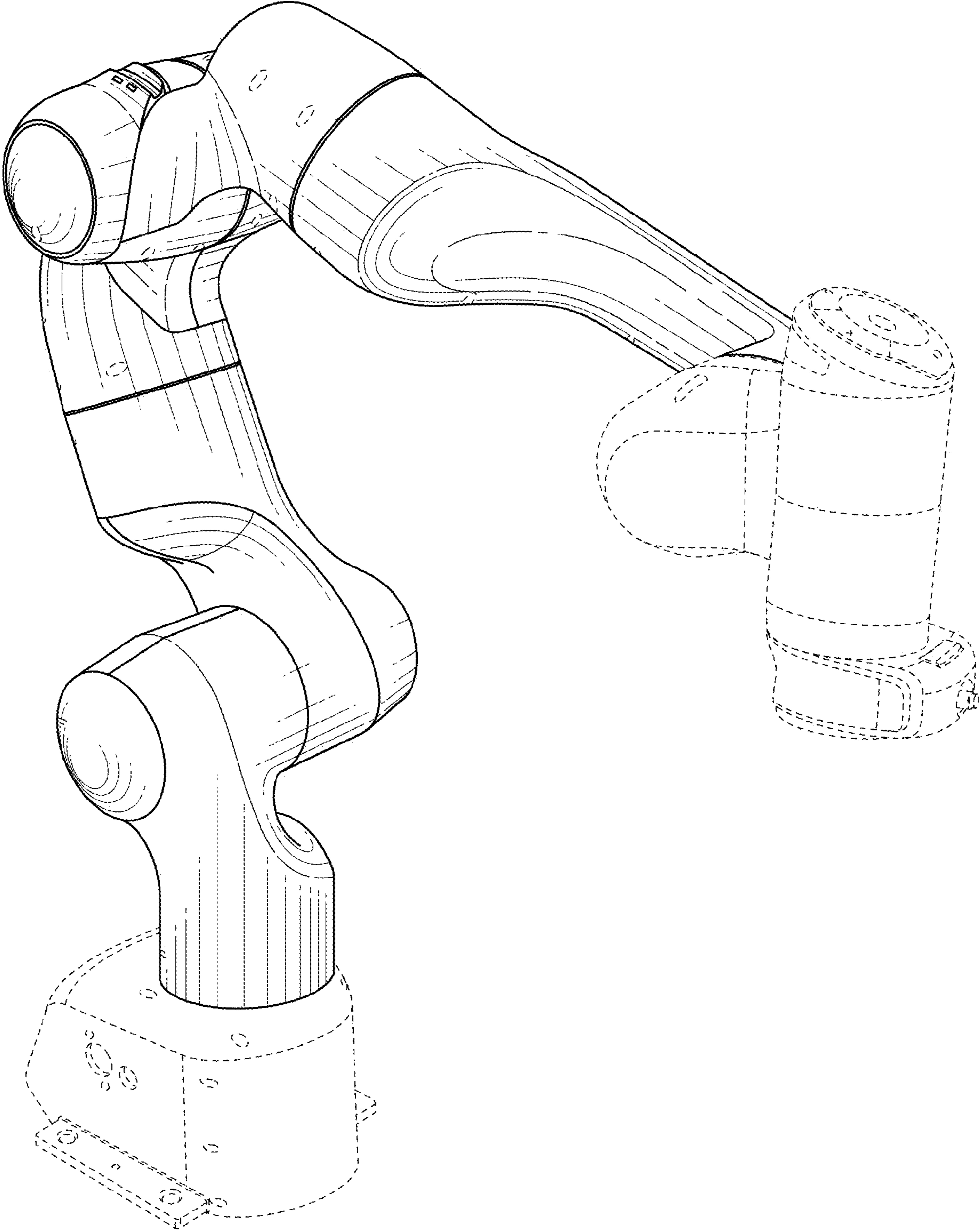


FIG. 2

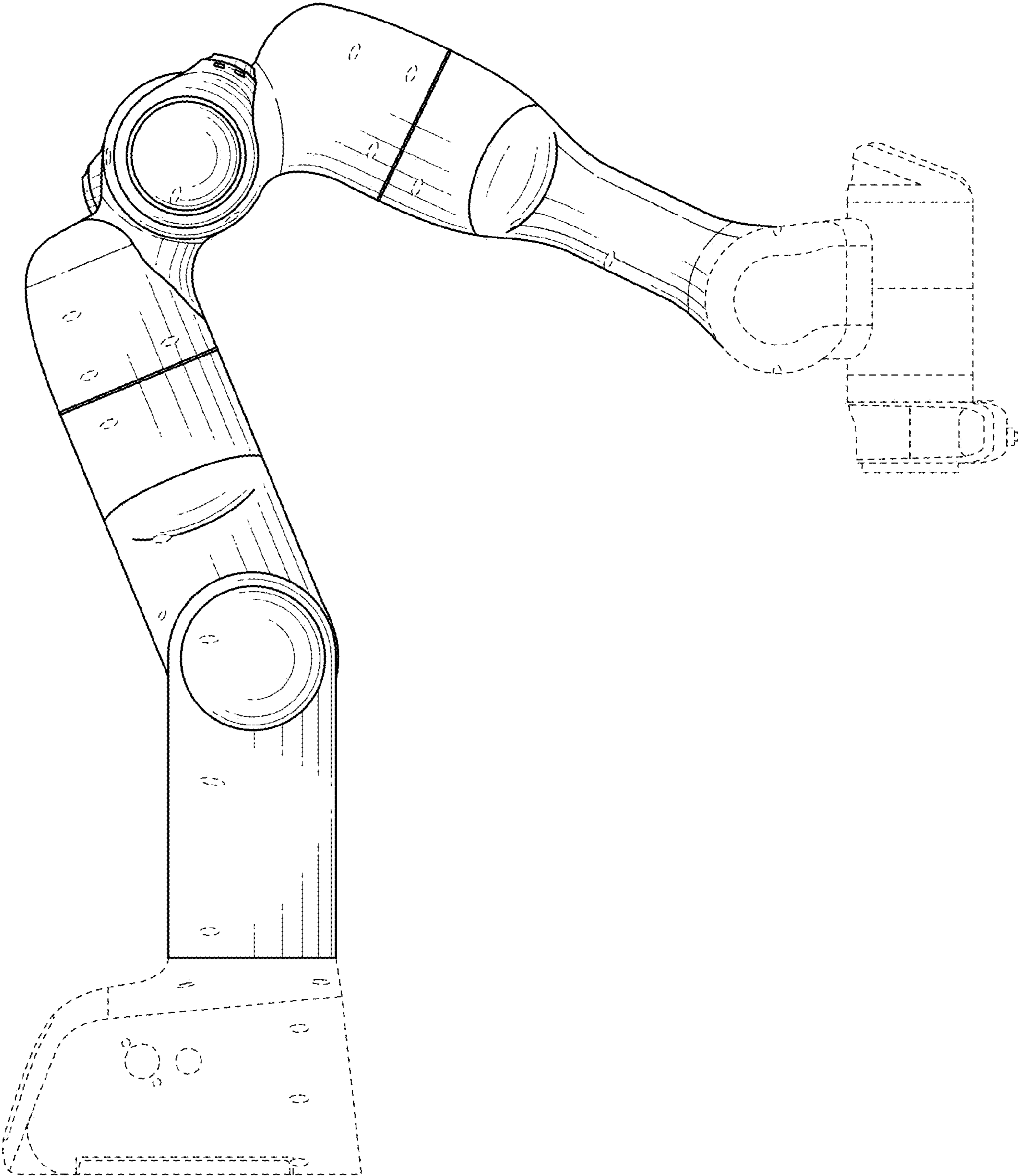


FIG. 3

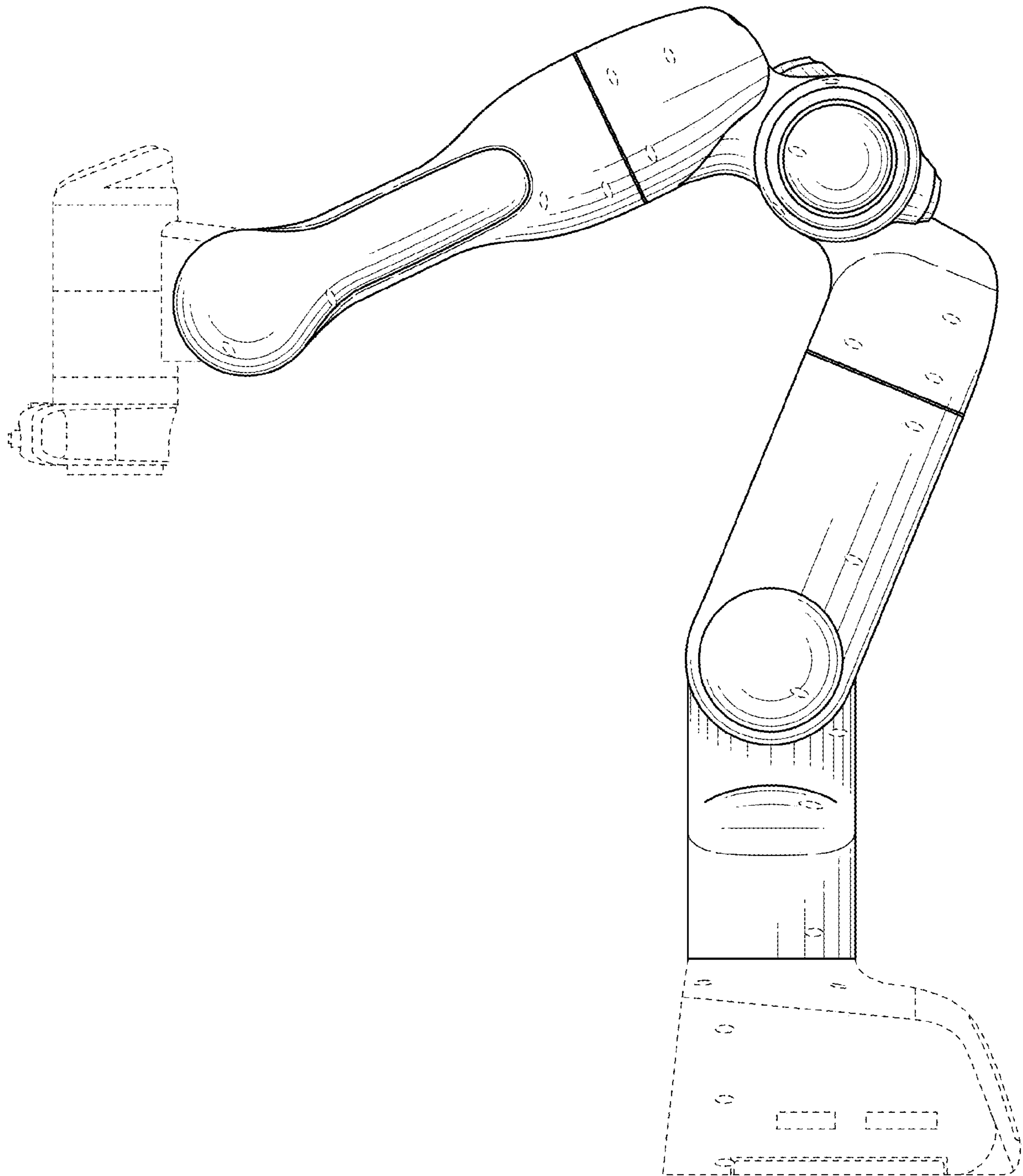


FIG. 4

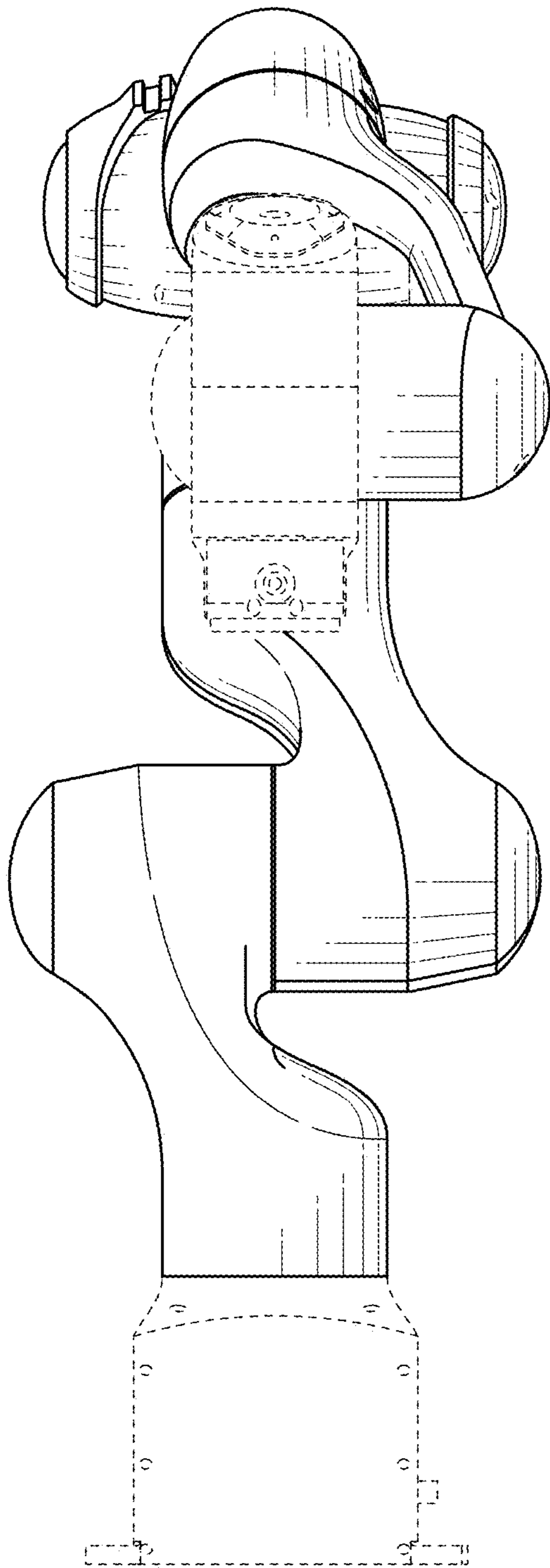


FIG. 5

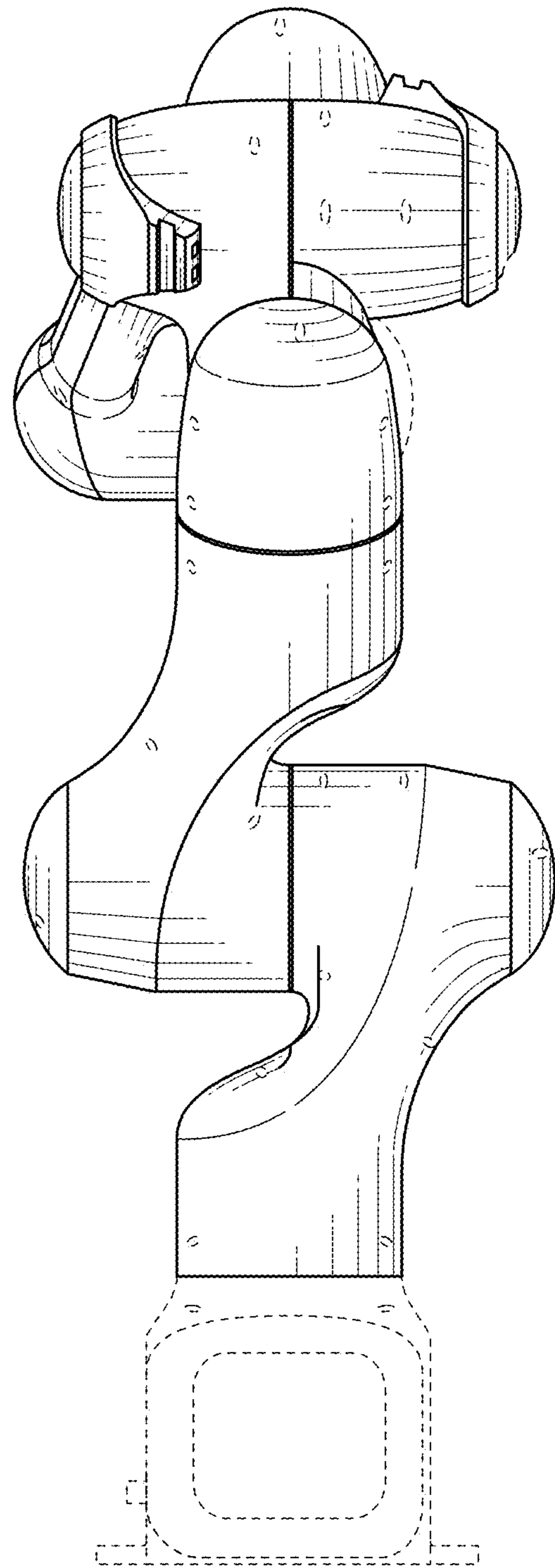


FIG. 6

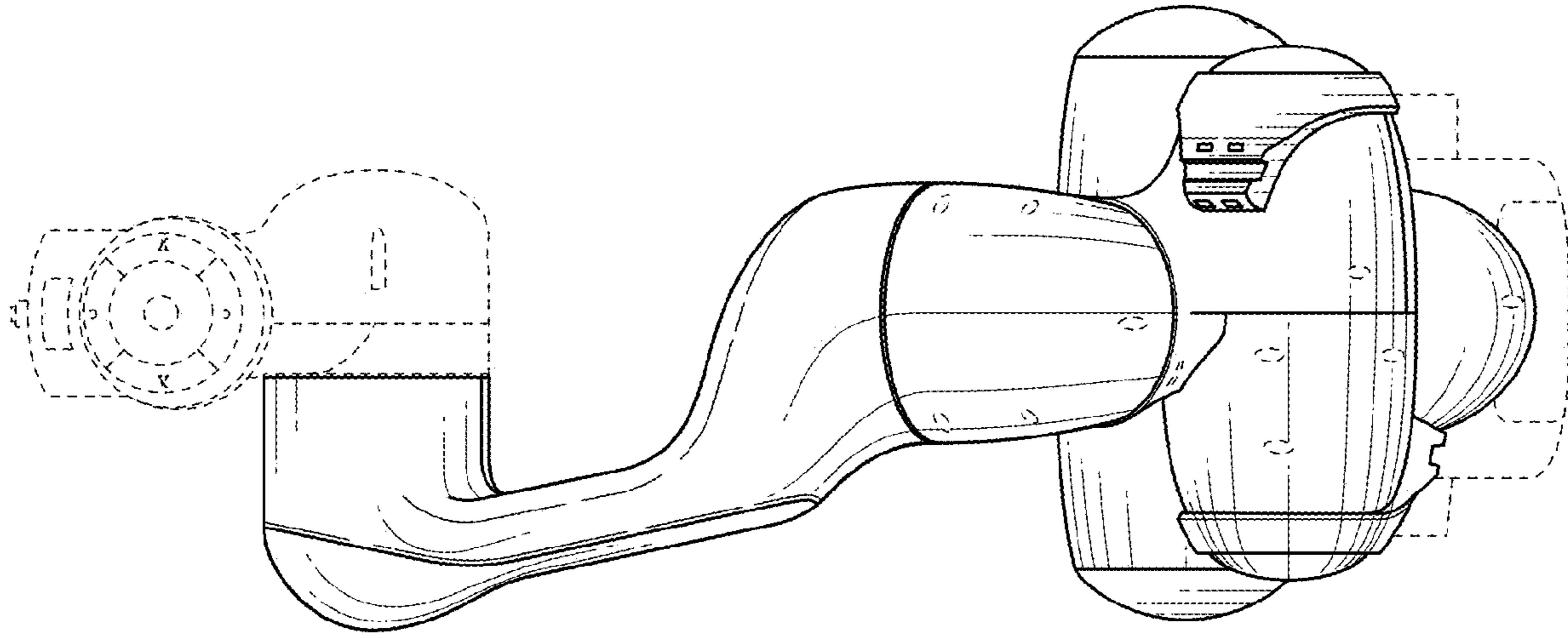


FIG. 7

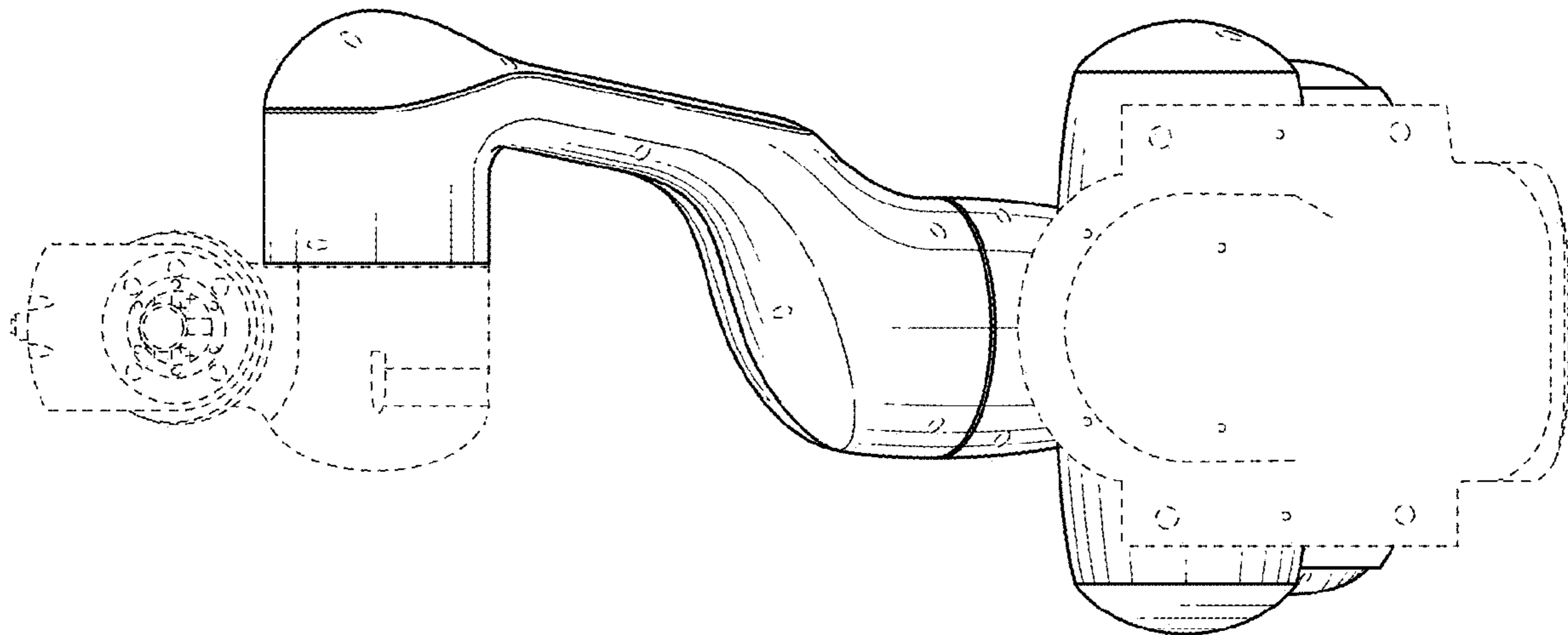


FIG. 8