



US00D885451S

(12) **United States Design Patent** (10) **Patent No.:** **US D885,451 S**  
**Chen** (45) **Date of Patent:** **\*\* May 26, 2020**

(54) **ROBOT USED FOR RECORDING**  
(71) Applicant: **Guilan Chen**, Guangdong (CN)  
(72) Inventor: **Guilan Chen**, Guangdong (CN)  
(\*\*) Term: **15 Years**  
(21) Appl. No.: **29/675,618**  
(22) Filed: **Jan. 4, 2019**  
(51) **LOC (12) Cl.** ..... **15-99**  
(52) **U.S. Cl.**  
USPC ..... **D15/199**  
(58) **Field of Classification Search**  
USPC ..... D15/199; D21/578-583, 621, 622;  
D32/21  
CPC ..... B25J 5/007; B60B 19/006; B62D 57/024;  
H01F 7/0221; Y10S 901/01  
See application file for complete search history.

9,043,029 B2 \* 5/2015 Seo ..... B62D 57/032  
700/245  
D774,148 S \* 12/2016 Hong ..... D21/578  
D794,692 S \* 8/2017 Haranaka ..... D15/199  
D795,320 S \* 8/2017 Liu ..... D15/199  
D795,321 S \* 8/2017 Liu ..... D15/199  
D806,805 S \* 1/2018 Takahashi ..... D21/578  
D822,740 S \* 7/2018 Tsai ..... D15/199  
D823,367 S \* 7/2018 Tsai ..... D15/199  
D824,978 S \* 8/2018 Amino ..... D15/199  
D836,690 S \* 12/2018 Kim ..... D15/199  
D852,860 S \* 7/2019 Lee ..... D15/199  
D868,907 S \* 12/2019 Liu ..... D21/578  
D872,152 S \* 1/2020 Xiong ..... D15/199  
2007/0260355 A1 \* 11/2007 Morimoto ..... G06N 3/008  
700/245  
2012/0158174 A1 \* 6/2012 Moon ..... G06N 3/008  
700/245  
2013/0158712 A1 \* 6/2013 Lee ..... G05B 19/04  
700/261

\* cited by examiner

*Primary Examiner* — Patricia A Palasik

(56) **References Cited**  
U.S. PATENT DOCUMENTS

D288,581 S \* 3/1987 Man ..... D21/578  
D288,831 S \* 3/1987 Man ..... D21/578  
D453,361 S \* 2/2002 Tsai ..... D21/578  
D460,131 S \* 7/2002 Koshiishi ..... D21/578  
D460,503 S \* 7/2002 Koshiishi ..... D21/578  
D536,010 S \* 1/2007 Takahashi ..... D15/199  
D541,353 S \* 4/2007 Takahashi ..... D21/578  
D550,735 S \* 9/2007 Takahashi ..... D15/199  
D603,912 S \* 11/2009 Miller ..... D21/578  
D639,353 S \* 6/2011 Stibolt ..... D21/578  
D677,743 S \* 3/2013 Koshiishi ..... D15/199  
D687,907 S \* 8/2013 Hoang ..... D15/199  
D696,324 S \* 12/2013 Takahashi ..... D15/199  
8,874,263 B2 \* 10/2014 Kwak ..... B62D 57/032  
700/245

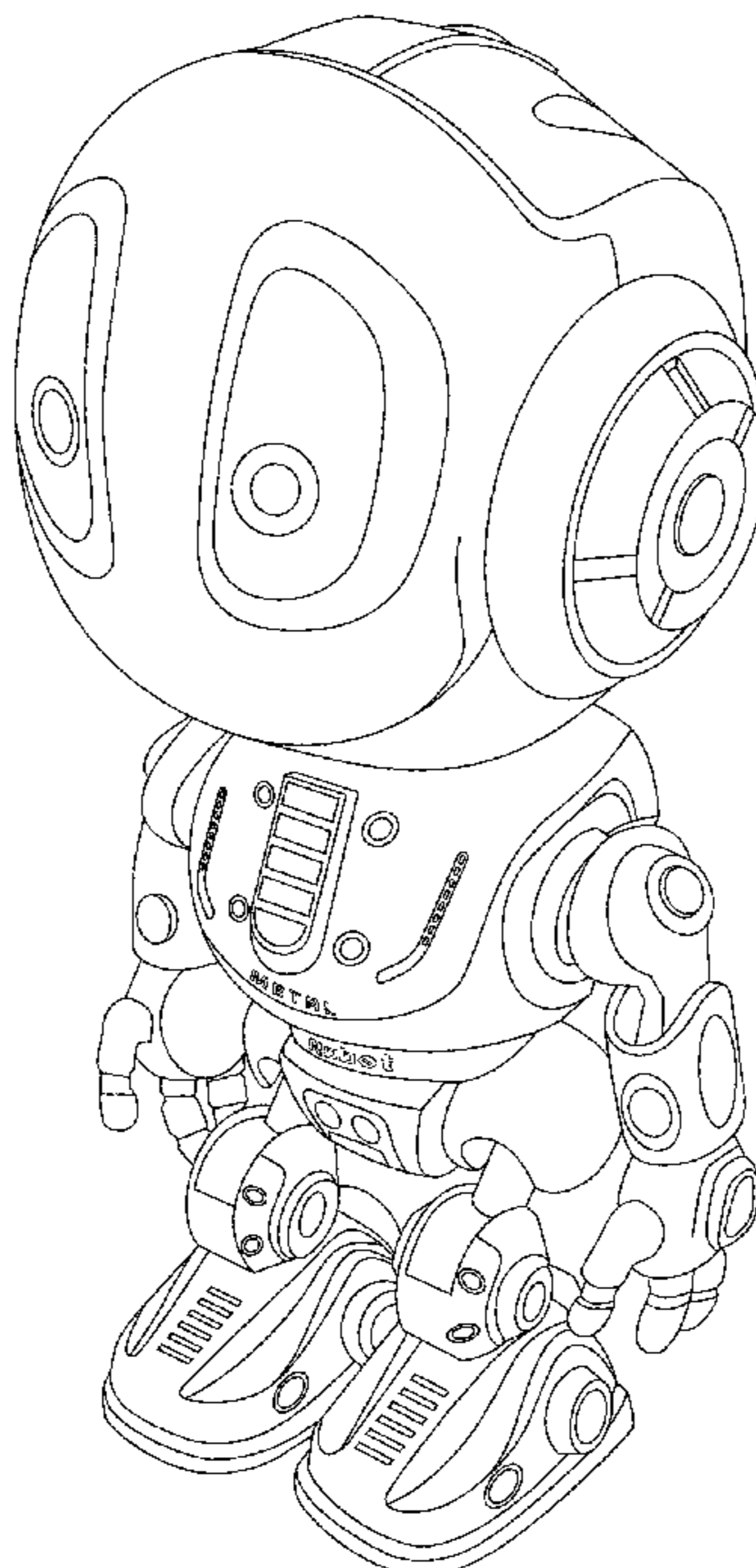
(57) **CLAIM**

The ornamental design for a robot used for recording, as shown and described.

**DESCRIPTION**

FIG. 1 is a perspective view of a robot used for recording showing my new design;  
FIG. 2 is a front elevational view thereof;  
FIG. 3 is a rear elevational view thereof;  
FIG. 4 is a right side elevational view thereof;  
FIG. 5 is a left side elevational view thereof;  
FIG. 6 is a top plan view thereof; and,  
FIG. 7 is a bottom plan view thereof.

**1 Claim, 7 Drawing Sheets**



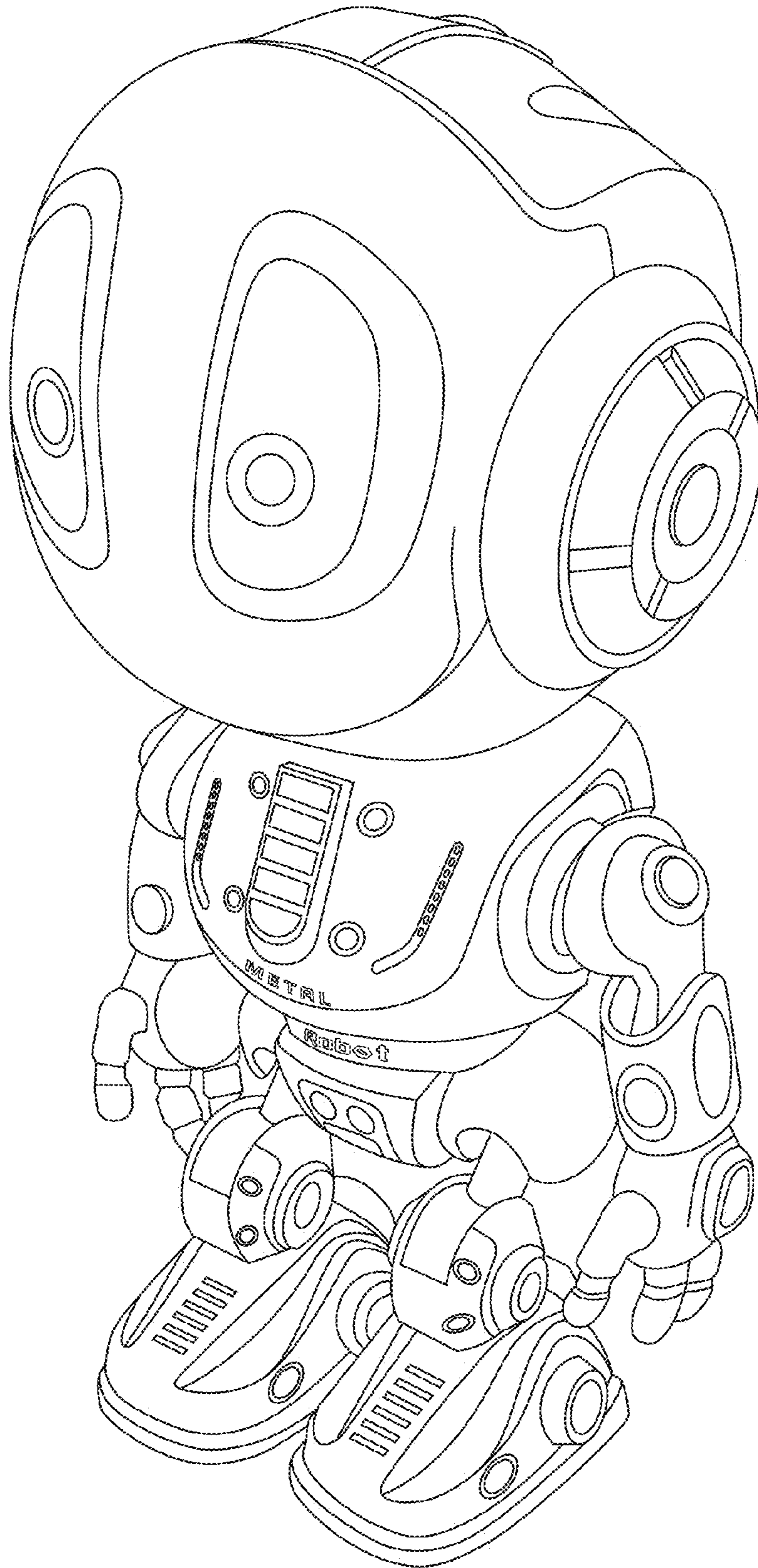


FIG. 1

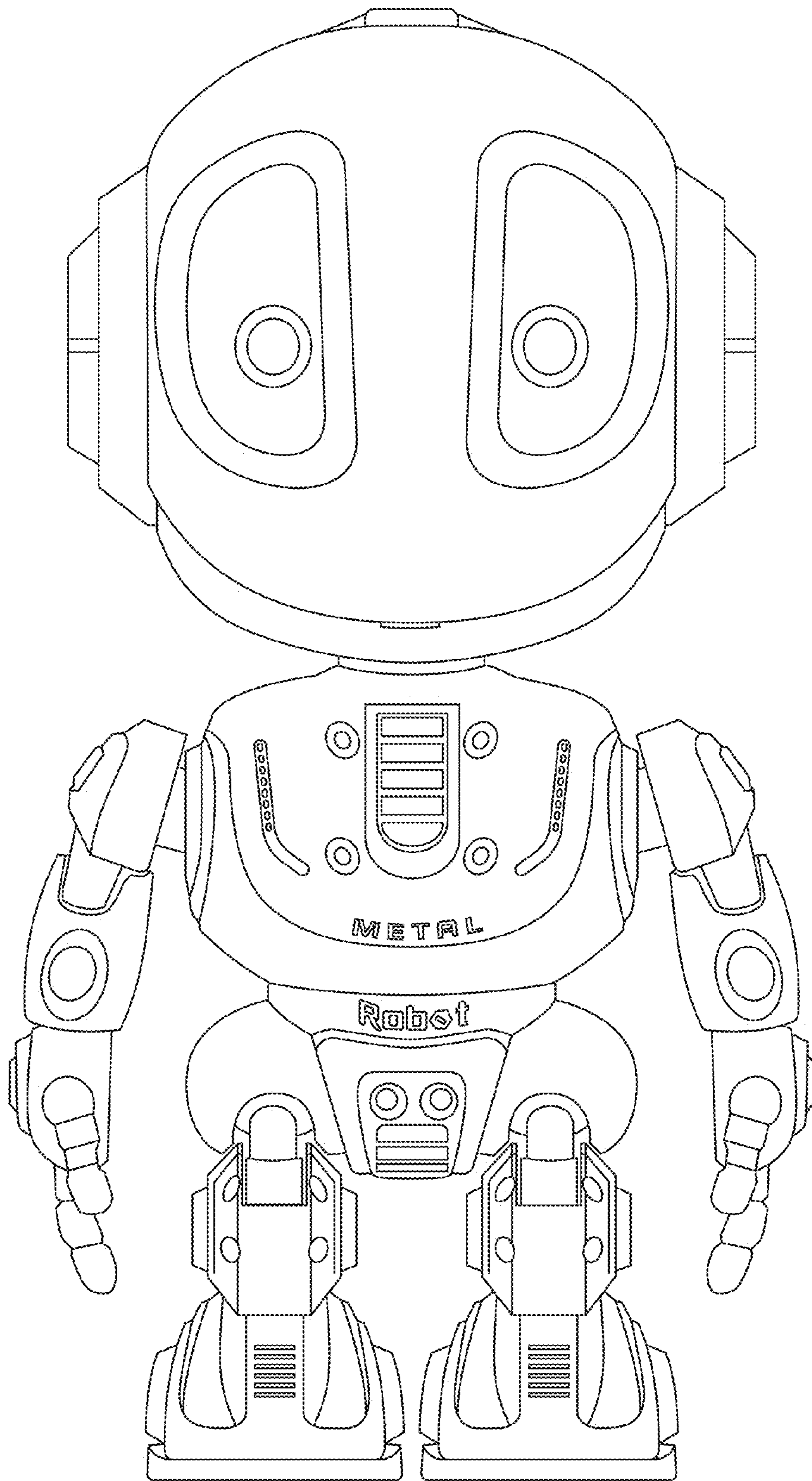


FIG.2

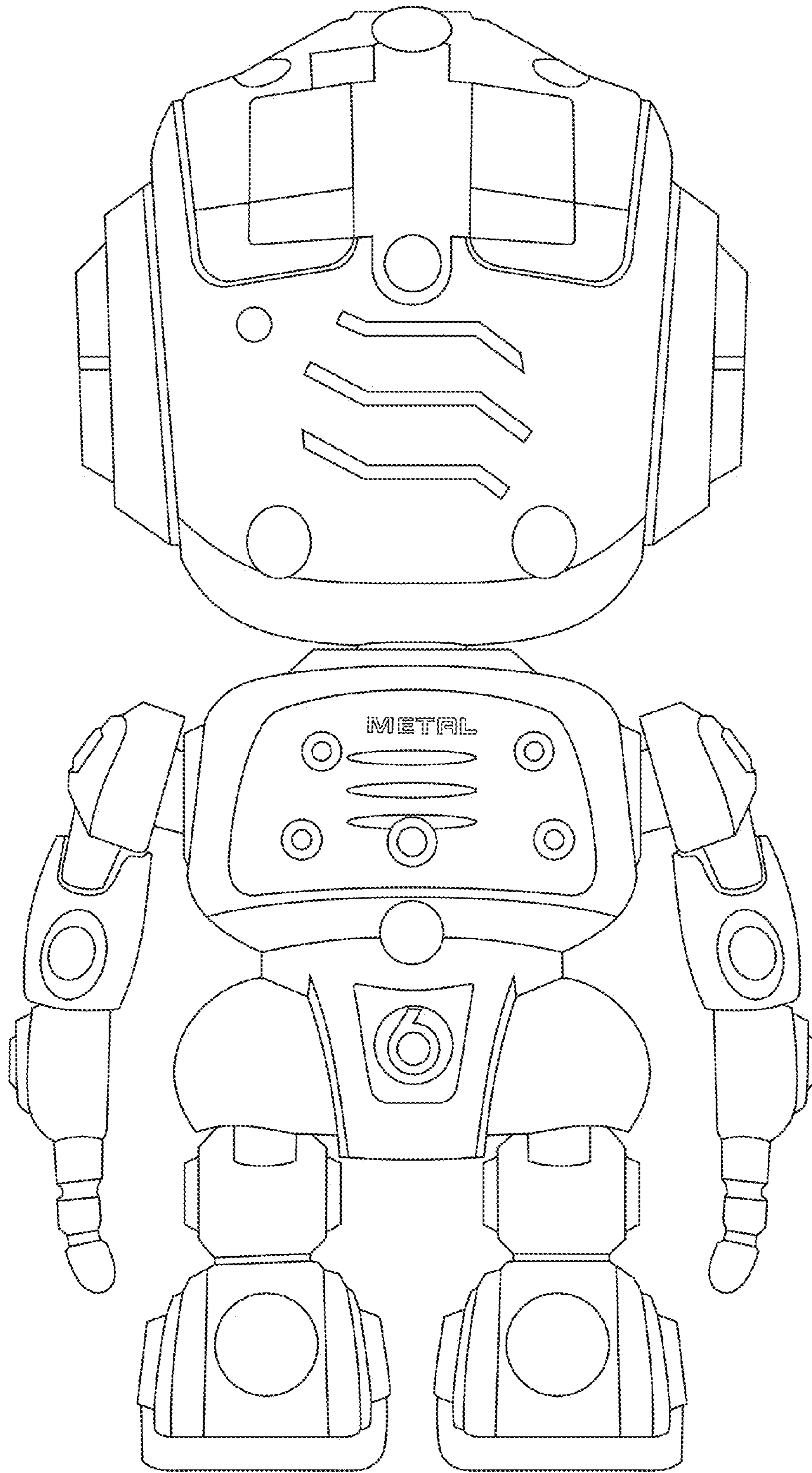


FIG.3

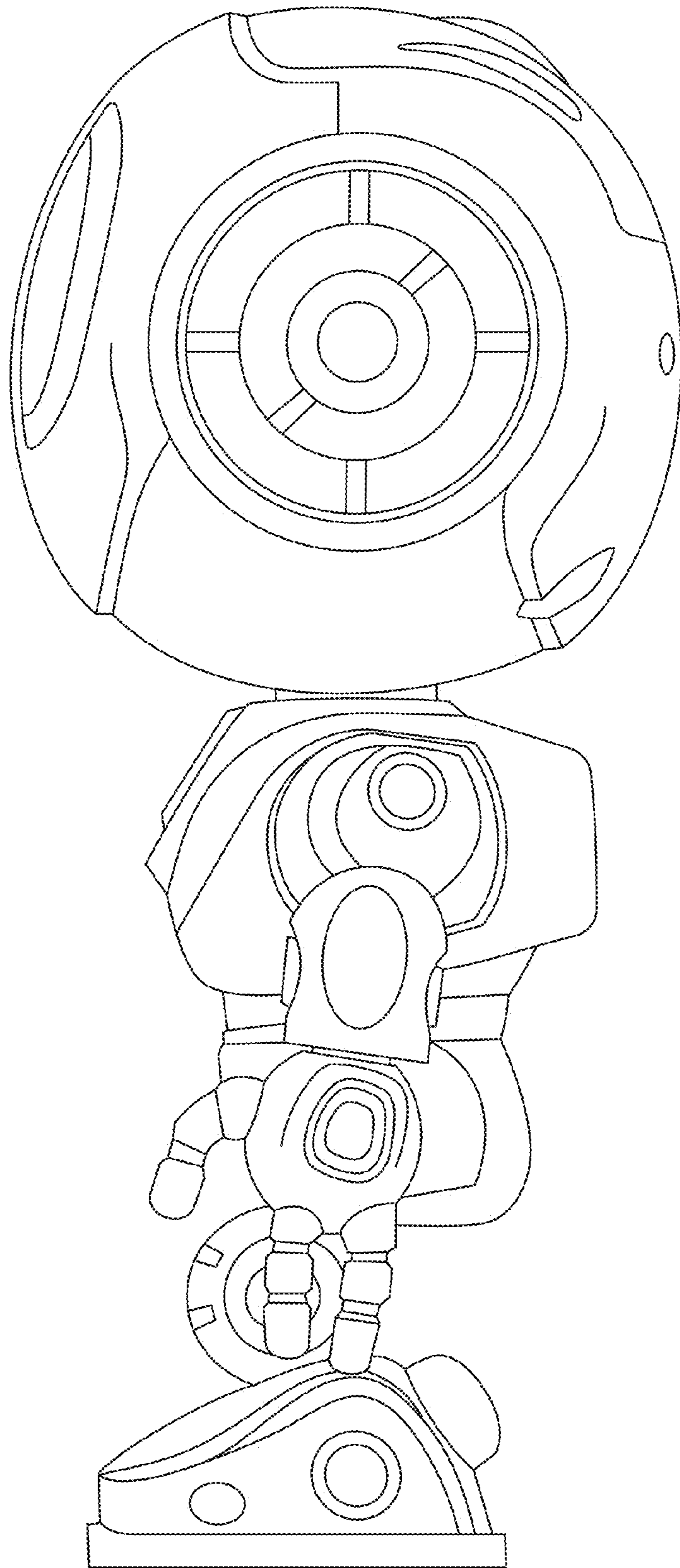


FIG.4

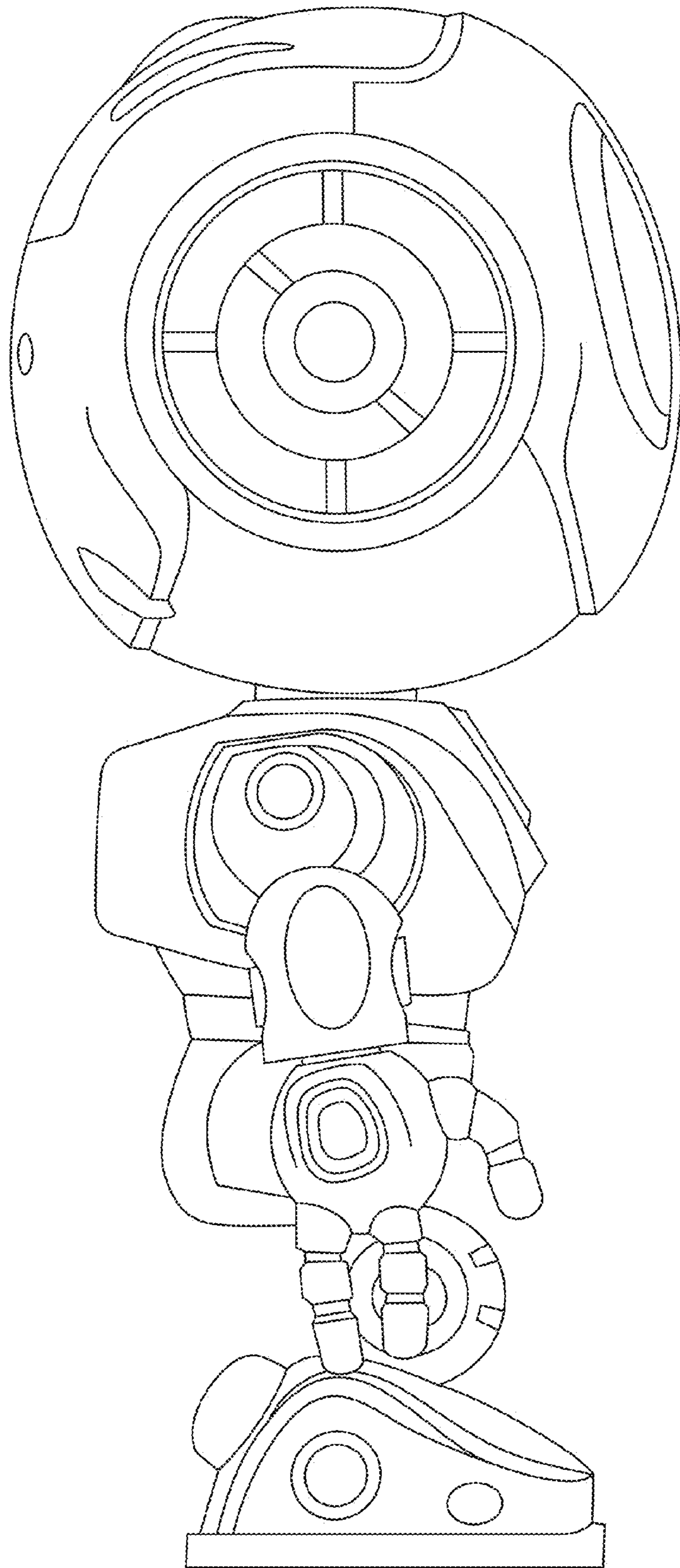


FIG.5

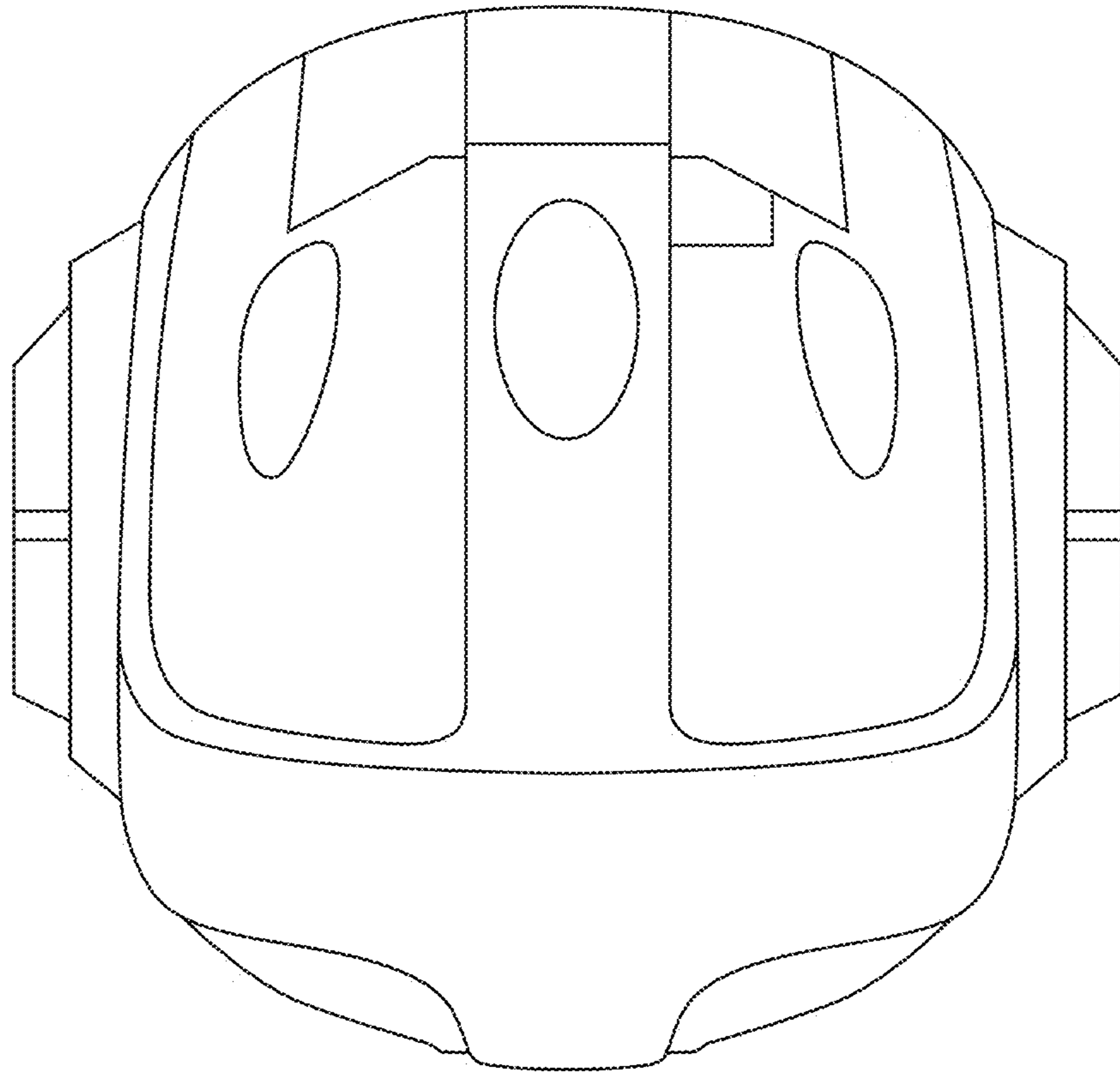


FIG. 6

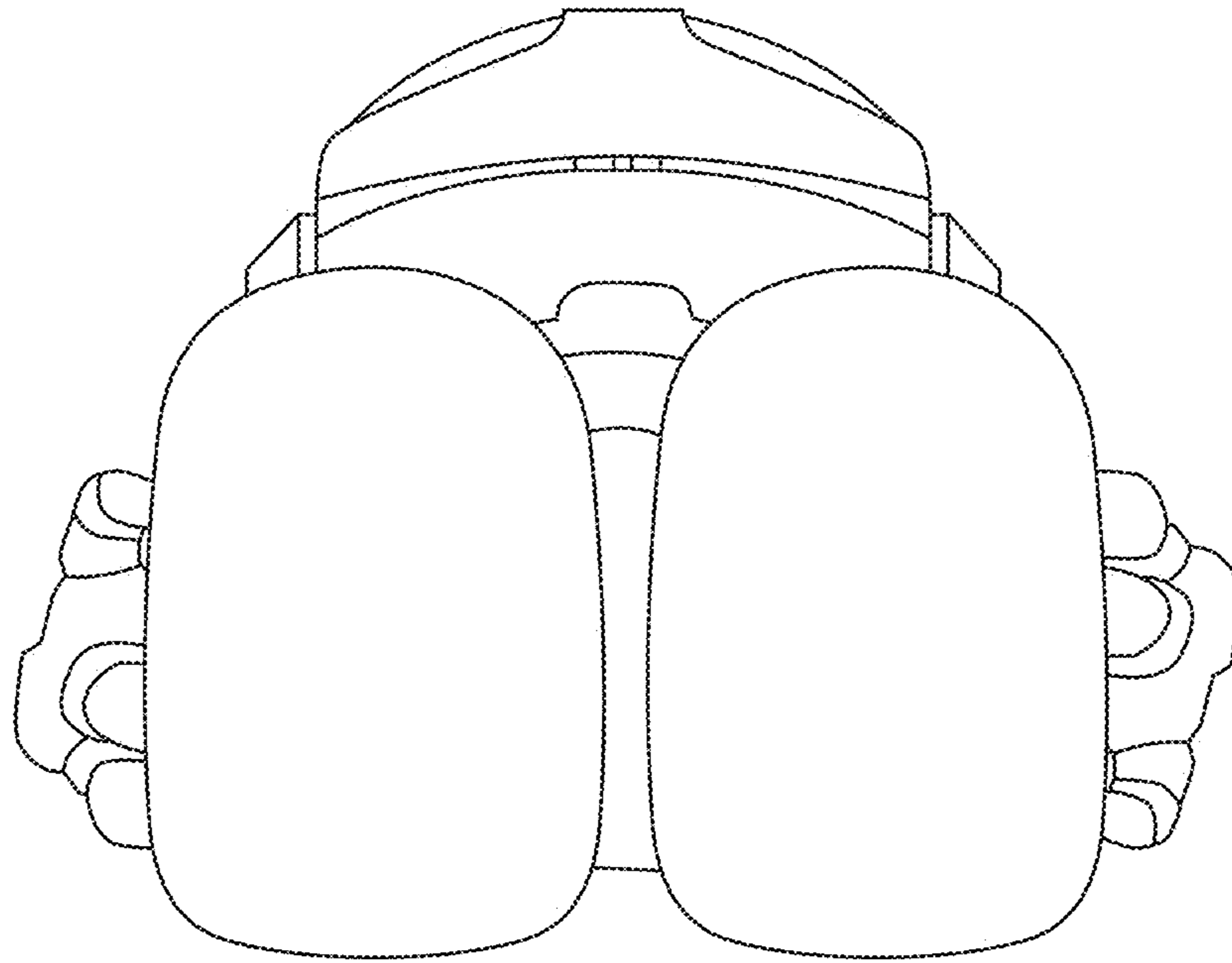


FIG.7