



US00D885450S

(12) **United States Design Patent** (10) **Patent No.:** **US D885,450 S**
Zentmyer (45) **Date of Patent:** **** May 26, 2020**

- (54) **VEHICULAR DIFFERENTIAL REPLACEMENT DEVICE**
- (71) Applicant: **Torq-Masters Industries, Inc**, Victor, NY (US)
- (72) Inventor: **John H. Zentmyer**, Lakeside, CA (US)
- (73) Assignee: **Torq-Masters Industries, Inc**, Victor, NY (US)
- (**) Term: **15 Years**

- 5,413,015 A 5/1995 Zentmyer
- 5,590,572 A 1/1997 Valente
- 5,591,098 A 1/1997 Jones et al.
- 5,603,246 A 2/1997 Zentmyer
- 5,637,049 A 6/1997 Zentmyer
- 5,715,733 A 2/1998 Dissent
- 5,759,126 A 6/1998 Zentmyer et al.
- 5,759,129 A 6/1998 Zentmyer et al.
- 5,816,971 A 10/1998 Zentmyer et al.
- 5,836,220 A 11/1998 Valente
- 5,901,618 A 5/1999 Tyson et al.
- 5,983,754 A 11/1999 Tyson et al.

(Continued)

- (21) Appl. No.: **29/618,355**
- (22) Filed: **Sep. 20, 2017**

Related U.S. Application Data

- (63) Continuation-in-part of application No. 29/604,124, filed on May 15, 2017, now abandoned.
- (51) **LOC (12) Cl.** **15-99**
- (52) **U.S. Cl.**
USPC **D15/148**
- (58) **Field of Classification Search**
USPC D13/123; D15/5, 148, 149; D12/174, D12/177, 194, 206, 213, 216, 400
CPC ... F16H 48/12; F16H 48/142; Y10T 74/19005
See application file for complete search history.

(56) **References Cited**

U.S. PATENT DOCUMENTS

- 1,430,744 A 10/1922 Lewis
- 1,477,137 A 12/1923 Lewis
- 1,711,371 A 4/1929 Zentmyer
- 2,555,044 A 5/1951 Lewis
- 3,745,800 A 7/1973 Zentmyer
- 4,071,808 A 1/1978 Zentmyer
- 4,109,912 A 8/1978 Zentmyer
- 4,498,355 A 2/1985 Schou
- 4,759,232 A 7/1988 Roberts

OTHER PUBLICATIONS

fourwheeler.com, "Traction Does Matter," www.fourwheeler.com/how-to/29298-latest-locking-differential-technology/ Mar. 1, 2000.

Primary Examiner — Michael C Stout

Assistant Examiner — Fritzgerald L Butac

(74) *Attorney, Agent, or Firm* — Michael J. Nickerson; Basch & Nickerson LLP

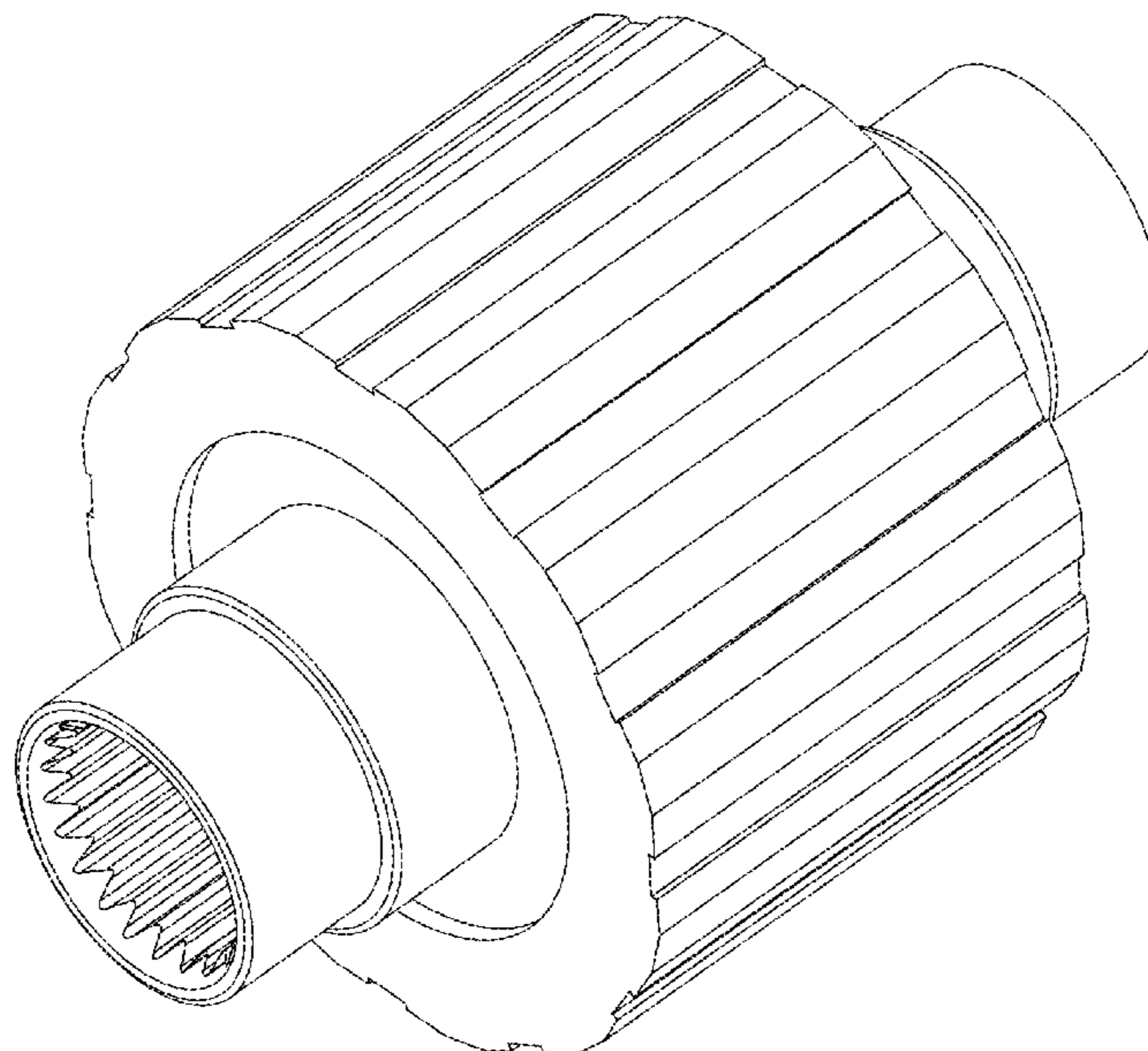
(57) **CLAIM**

The ornamental design for a vehicular differential replacement device, as shown and described.

DESCRIPTION

FIG. 1 is a perspective view of a vehicular differential replacement device;
 FIG. 2 represents a left side view of the vehicular differential replacement device;
 FIG. 3 represents a right side view of the vehicular differential replacement device;
 FIG. 4 represents a bottom view of the vehicular differential replacement device; and,
 FIG. 5 represents a top view of the vehicular differential replacement device.

1 Claim, 5 Drawing Sheets



(56)

References Cited

U.S. PATENT DOCUMENTS

6,014,916	A	1/2000	Tyson	
6,047,615	A	4/2000	Tyson et al.	
6,053,073	A	4/2000	Tyson et al.	
6,053,074	A	4/2000	Tyson et al.	
6,062,105	A	5/2000	Tyson et al.	
6,092,439	A	7/2000	Tyson et al.	
6,105,465	A	8/2000	Tyson et al.	
6,269,712	B1	8/2001	Zentmyer	
D462,256	S *	9/2002	Jaynes	D12/160
D479,543	S	9/2003	Lannoch	
6,681,654	B2	1/2004	Zentmyer	
7,726,467	B1 *	6/2010	Schoonover	B65G 23/24 198/576
D720,377	S	12/2014	Elder	
9,488,265	B2	11/2016	Elder	
D795,808	S *	8/2017	Mayor	D13/122
D827,689	S *	9/2018	Turner	D15/148
D835,165	S *	12/2018	Zentmyer	D15/138
D848,497	S *	5/2019	Zentmyer	D15/148
2002/0151402	A1	10/2002	Zentmyer	
2007/0006673	A1	1/2007	Peterman et al.	
2008/0176703	A1	7/2008	Hoberg	
2009/0011890	A1	1/2009	Bawks	
2009/0107741	A1	4/2009	Bell et al.	
2009/0197732	A1	8/2009	Lyman	
2010/0113208	A1	5/2010	Haugeberg	
2013/0112520	A1 *	5/2013	Heath	F16D 41/067 192/44
2016/0347277	A1 *	12/2016	Nagata	B60R 22/44
2017/0327077	A1 *	11/2017	Fukuta	B60R 22/34

* cited by examiner

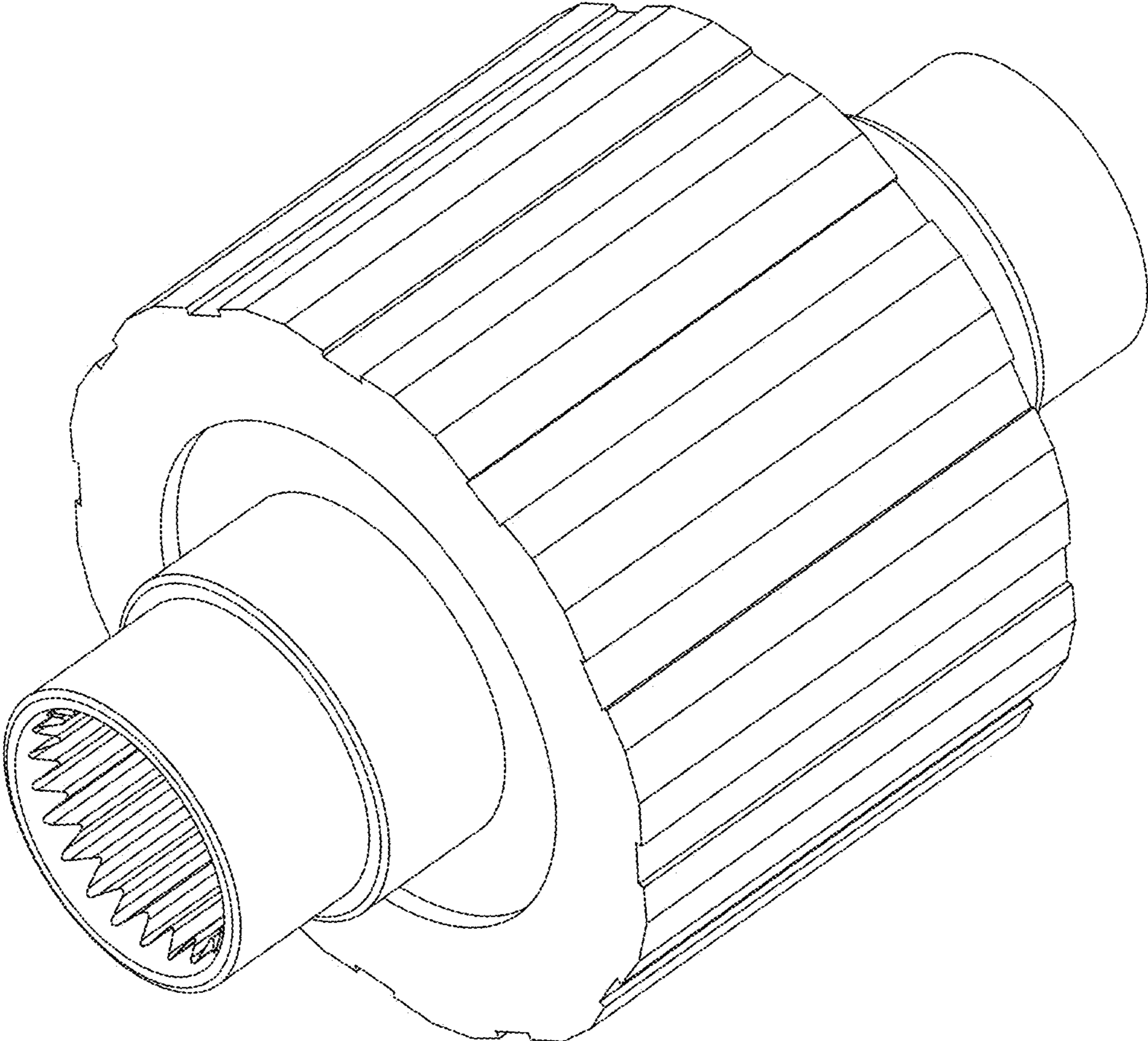


FIG. 1

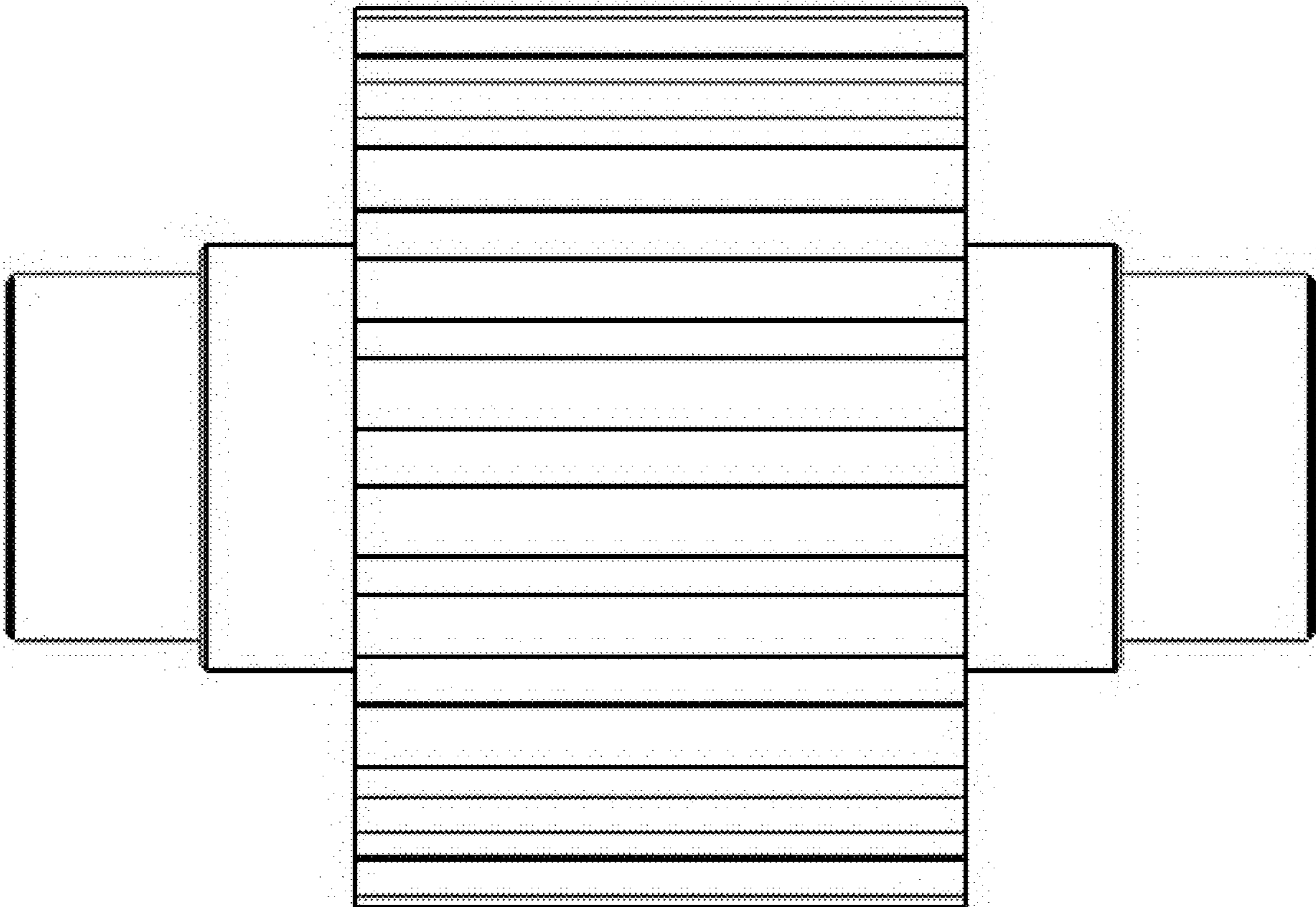


FIGURE 2

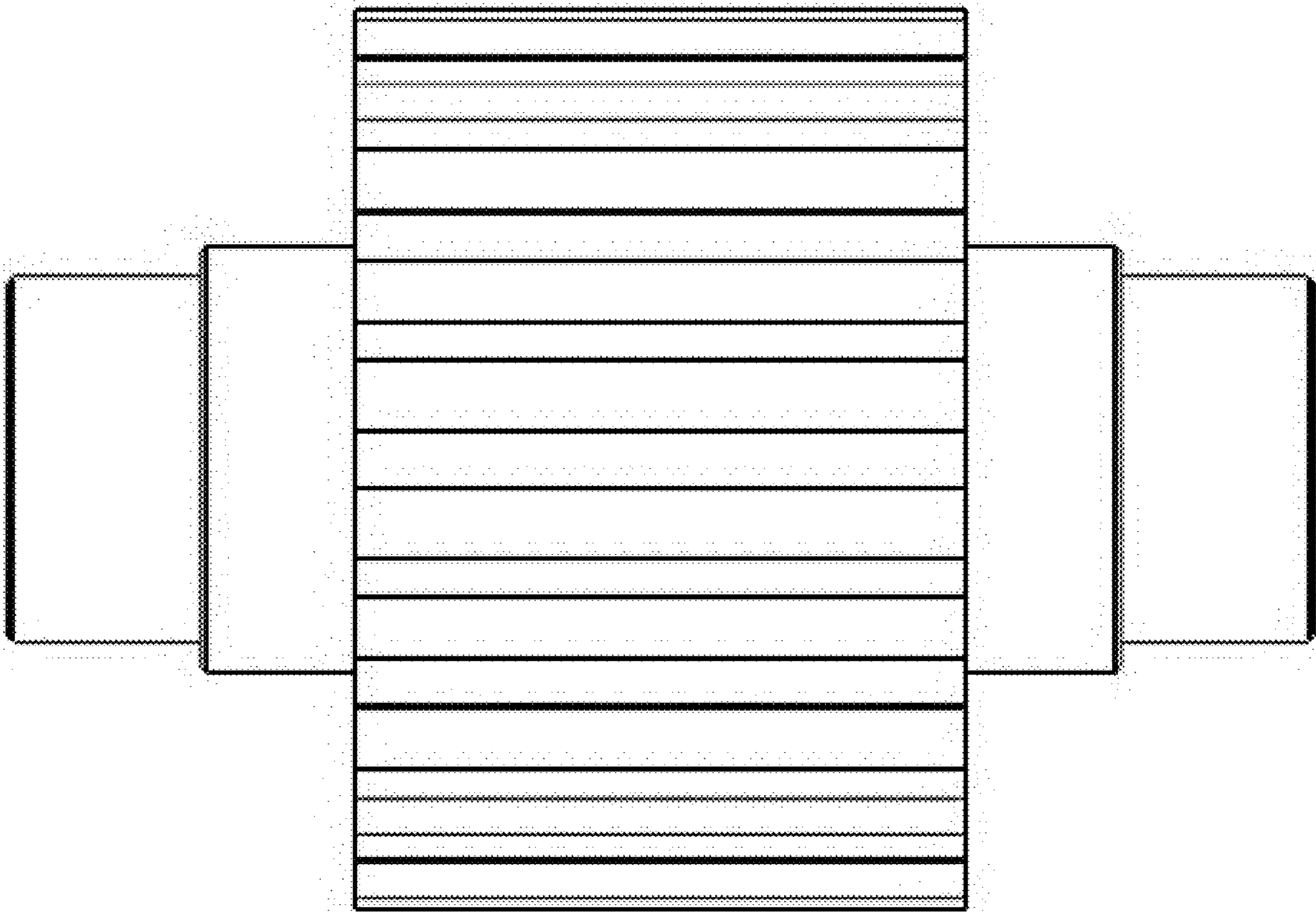


FIGURE 3

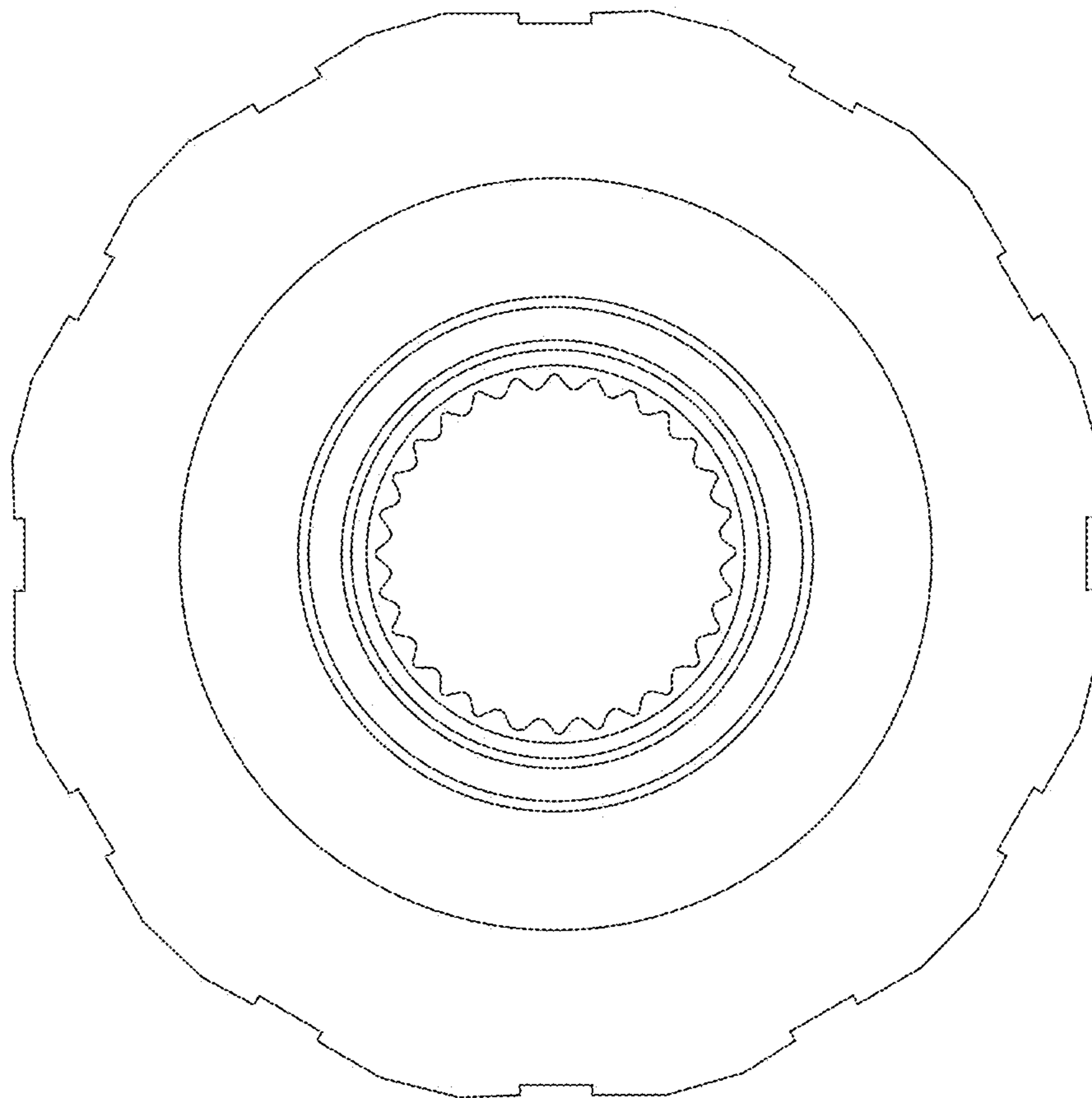


FIG. 4

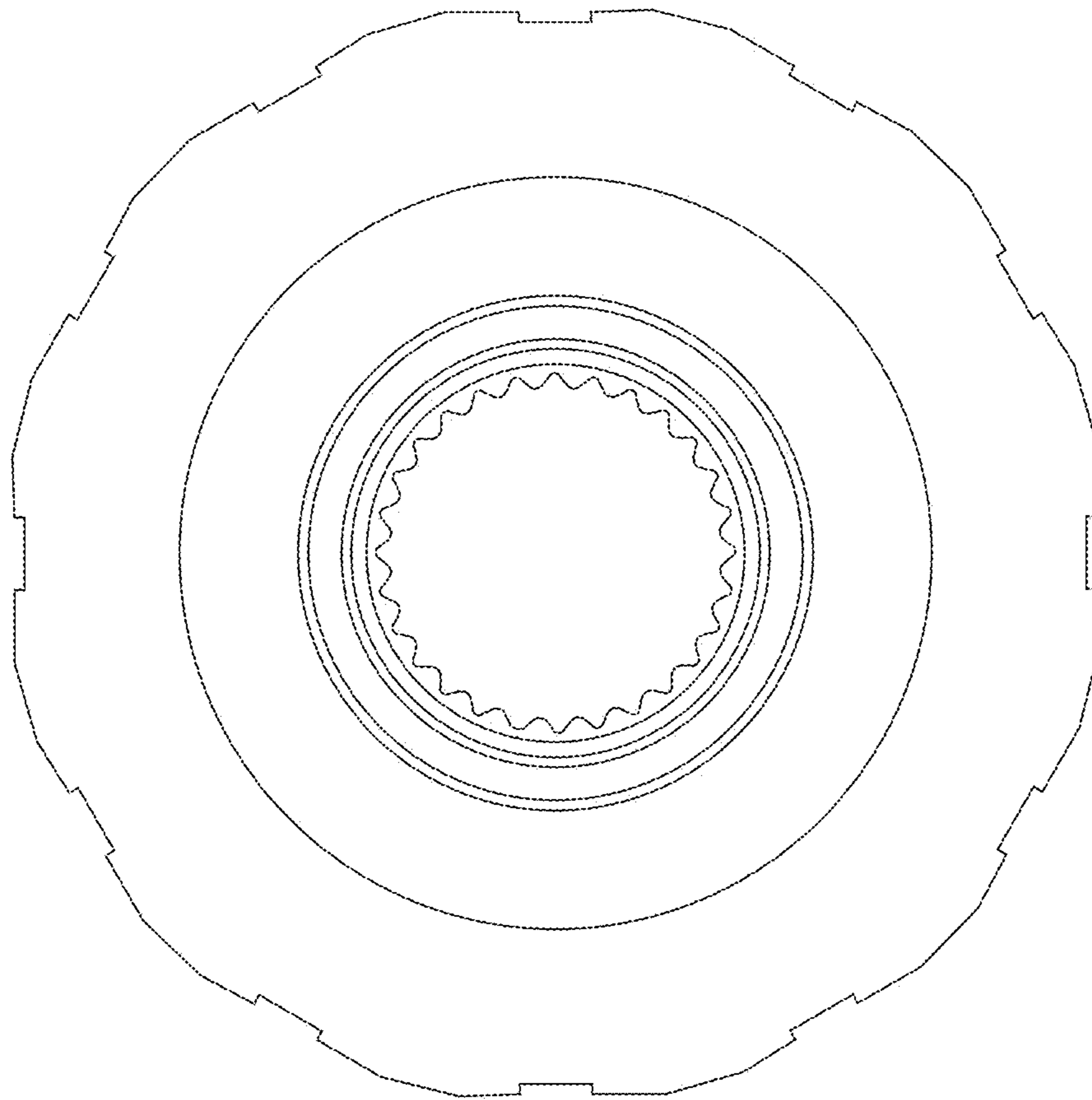


FIG. 5