



US00D885449S

(12) **United States Design Patent** (10) **Patent No.:** **US D885,449 S**
Stevens et al. (45) **Date of Patent:** **** May 26, 2020**

(54) **FILM DISPENSER FOR USE WITH CORELESS FILM ROLL**

(71) Applicant: **Inteplast Group Corporation**,
Livingston, NJ (US)

(72) Inventors: **Scott Stevens**, Edna, TX (US); **James R. Love**, Sand Springs, OK (US)

(73) Assignee: **Inteplast Group Corporation**,
Livingston, NJ (US)

(**) Term: **15 Years**

(21) Appl. No.: **29/678,628**

(22) Filed: **Jan. 30, 2019**

Related U.S. Application Data

(62) Division of application No. 29/586,047, filed on Nov. 30, 2016, now Pat. No. Des. 844,037.

(51) **LOC (12) Cl.** **15-99**

(52) **U.S. Cl.**
USPC **D15/145; D8/358**

(58) **Field of Classification Search**
USPC D6/518, 521; D8/70.1, 356, 358;
D15/145; D16/237, 246, 249, 250;
(Continued)

(56) **References Cited**

U.S. PATENT DOCUMENTS

1,098,479 A 6/1914 Clark et al.
2,064,067 A 12/1936 Knorr

(Continued)

Primary Examiner — Nathan M Johnston

(74) *Attorney, Agent, or Firm* — Stinson LLP

(57) **CLAIM**

The ornamental design for a film dispenser for use with coreless film roll, as shown and described.

DESCRIPTION

FIG. 1 is a perspective view of a film dispenser for use with coreless film roll showing our new design in a disengaged configuration;

FIG. 2 is a front view thereof;
FIG. 3 is a top view thereof;
FIG. 4 is a rear view thereof;
FIG. 5 is a bottom view thereof;
FIG. 6 is a perspective view of the film dispenser of FIG. 1 in an alternative engaged configuration;
FIG. 7 is a perspective view of a female film dispenser half shown separately for clarity;
FIG. 8 is a front view thereof;
FIG. 9 is a top view thereof;
FIG. 10 is a rear view thereof;
FIG. 11 is a bottom view thereof;
FIG. 12 is a right side view thereof;
FIG. 13 is a perspective view of an embodiment of a male film dispenser half shown separately for clarity;
FIG. 14 is a front view thereof;
FIG. 15 is a top view thereof;
FIG. 16 is a rear view thereof;
FIG. 17 is a bottom view thereof; and,
FIG. 18 is a left side view thereof.

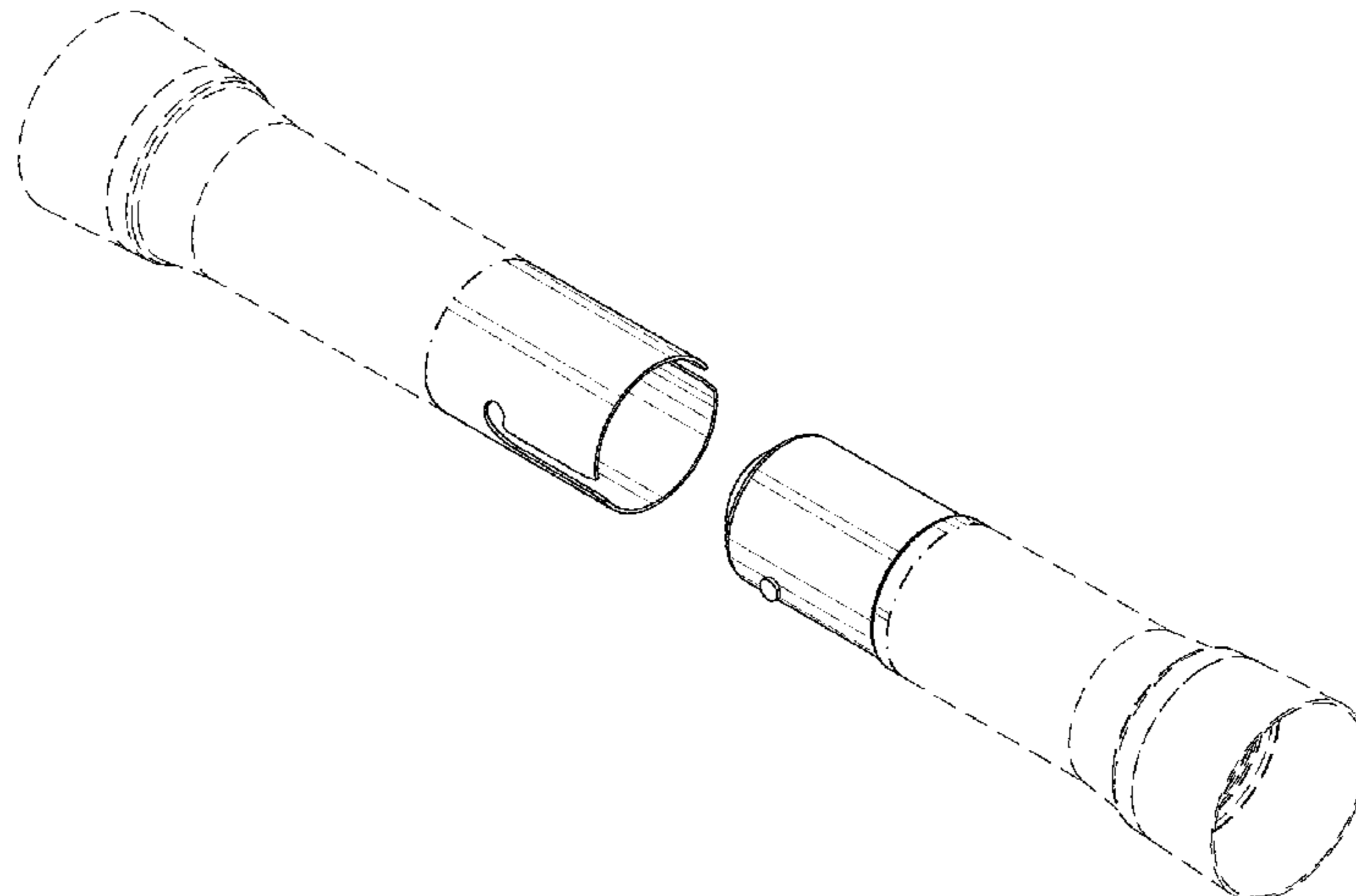
The right and left side views form no part of the claimed design of the film dispenser of FIGS. 1-6.

The left side view forms no part of the claimed design of the female film dispenser half of FIGS. 7-12.

The right side view forms no part of the claimed design of the male film dispenser half of FIGS. 13-18.

The dot dash lines shown in the figures that are immediately adjacent to the shaded areas and define unshaded regions represent the bounds of the claim, while all other broken lines illustrate the portions of the design that form no part of the claimed design. None of the broken lines form any part of the claimed design.

1 Claim, 18 Drawing Sheets



(58) **Field of Classification Search**

USPC D9/455, 711; 53/221, 389.4, 390, 441;
 156/577; 225/1, 39, 77, 89; 242/423,
 242/423.1, 578.2, 588, 599.2; 396/661
 CPC ... B65B 11/045; B65B 11/025; B65B 67/085;
 B65H 75/185; B65H 2701/1944; B65H
 2301/418526; B65H 75/241; B65H
 16/005; B65H 2403/731; B65H 2511/12;
 B65H 2220/04

See application file for complete search history.

(56) **References Cited**

U.S. PATENT DOCUMENTS

D106,053 S 9/1937 Maguire
 2,644,383 A * 7/1953 Meditz G03B 19/12
 359/369
 D202,801 S 11/1965 Whitten
 3,221,868 A 12/1965 Ricker et al.
 3,292,874 A * 12/1966 Tinkham A47K 10/3836
 242/571.5
 3,831,824 A 8/1974 Coppersmith
 4,248,392 A 2/1981 Parry
 4,484,717 A 11/1984 Goldstein
 4,574,020 A 3/1986 Fosnaught
 D299,353 S 1/1989 Goldstein
 D299,654 S 1/1989 Goldstein
 D300,890 S * 5/1989 Roland D6/512
 5,135,179 A 8/1992 Morano
 5,402,978 A * 4/1995 Larson A47K 10/22
 248/309.2
 5,570,564 A 11/1996 Moore
 5,951,538 A * 9/1999 Joshi A61M 31/002
 604/500
 5,996,473 A 12/1999 Milone
 D420,025 S 2/2000 Gabriele
 6,019,308 A 2/2000 Huang
 D423,913 S 5/2000 Dougan, Jr.
 D424,167 S 5/2000 Yuen et al.
 6,230,999 B1 5/2001 Tanaka

D447,043 S 8/2001 Wyers
 D453,644 S 2/2002 Baggett
 D529,799 S * 10/2006 Jensen D9/447
 D548,973 S * 8/2007 Dawson D3/272
 D565,387 S 4/2008 Remark et al.
 7,438,254 B2 10/2008 Oettershagen
 D579,761 S 11/2008 Tooman
 D587,584 S 3/2009 Jaichandra et al.
 D589,348 S * 3/2009 Miller D9/445
 7,665,686 B2 2/2010 Becker et al.
 7,937,915 B2 5/2011 Kohn et al.
 7,942,364 B2 5/2011 Yu Chen
 8,302,435 B2 11/2012 Burmesch et al.
 8,616,490 B2 12/2013 Blok
 D707,532 S 6/2014 Stangl et al.
 D719,826 S 12/2014 Burnside
 D738,414 S 9/2015 Chen
 9,150,381 B2 10/2015 Li et al.
 D745,364 S 12/2015 Chen et al.
 D758,879 S * 6/2016 Chen D9/688
 D786,699 S 5/2017 Shipulin
 D810,797 S * 2/2018 Love D15/145
 D833,492 S * 11/2018 Stevens D15/145
 2002/0108407 A1 8/2002 Zapushek
 2003/0223914 A1 12/2003 Arter et al.
 2004/0098952 A1 5/2004 Burdorff
 2005/0145406 A1 7/2005 Hall et al.
 2007/0151208 A1 7/2007 Huang
 2009/0084074 A1 4/2009 Barbery
 2009/0308968 A1 12/2009 Piotrowski et al.
 2011/0041458 A1 2/2011 Yu Chen
 2011/0042504 A1 2/2011 Yu Chen
 2011/0049287 A1 * 3/2011 Yu Chen B65H 75/241
 242/578.2
 2011/0095122 A1 * 4/2011 Yu Chen B65B 67/08
 242/416
 2012/0193388 A1 8/2012 Machota
 2013/0186697 A1 7/2013 Martinez et al.
 2013/0227913 A1 9/2013 Harrison
 2015/0321800 A1 11/2015 Viale et al.
 2016/0347574 A1 12/2016 Yu Chen

* cited by examiner

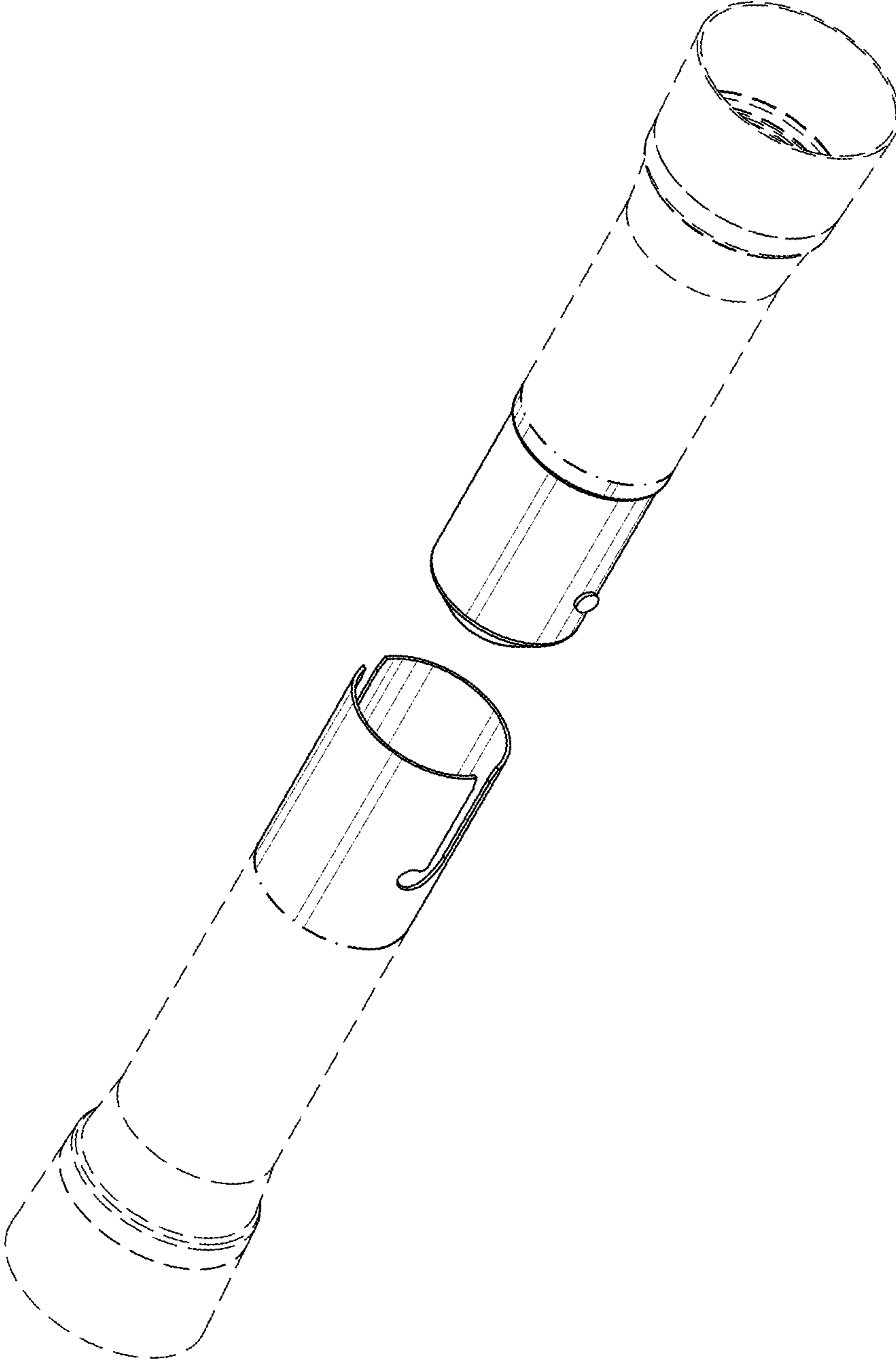


FIG. 1

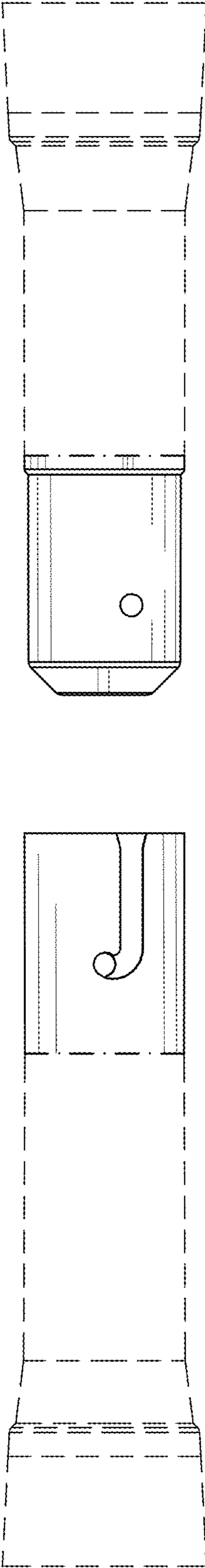


FIG. 2

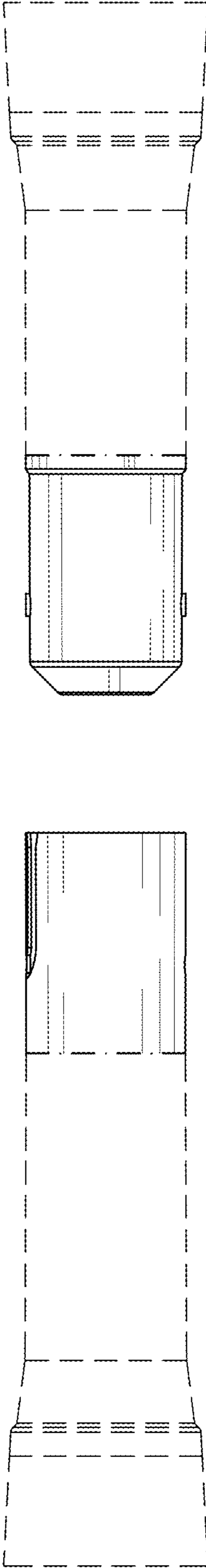


FIG. 3

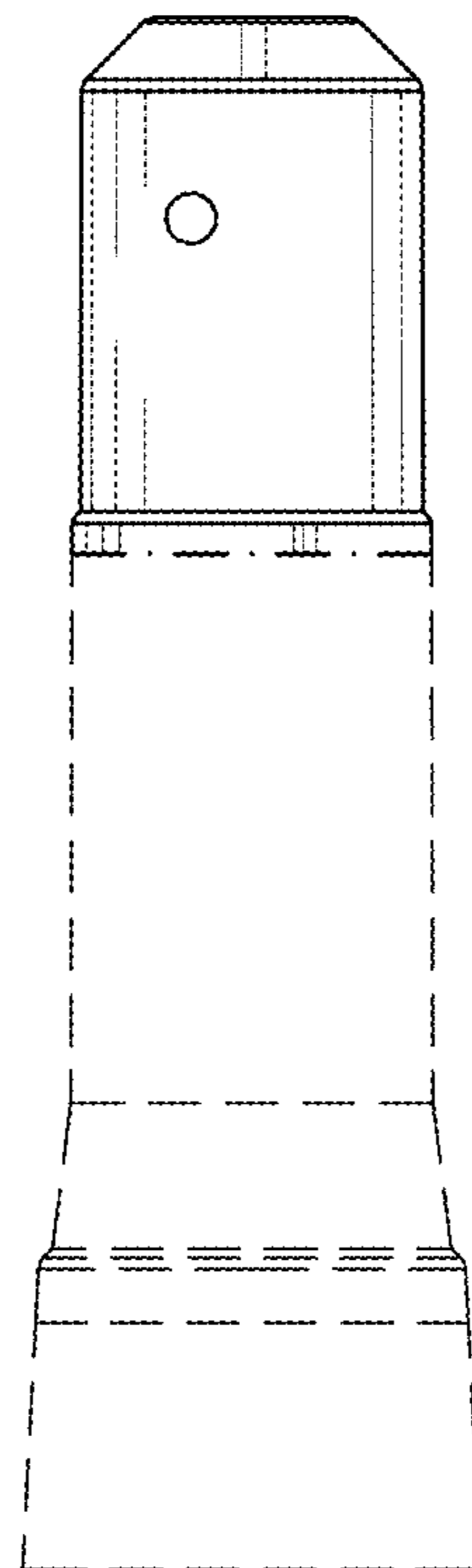
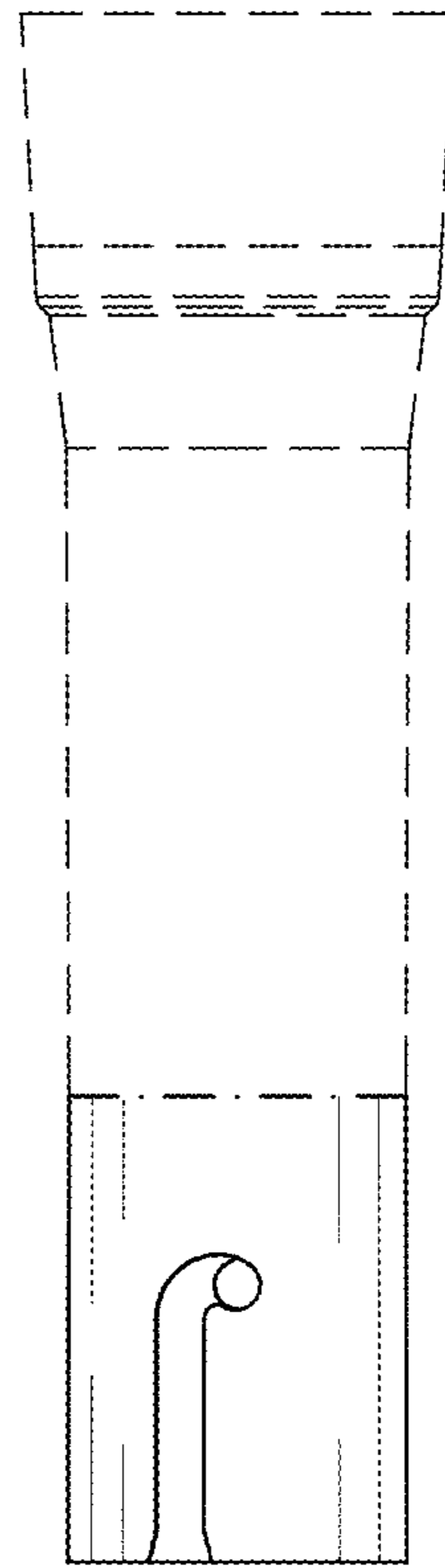


FIG. 4

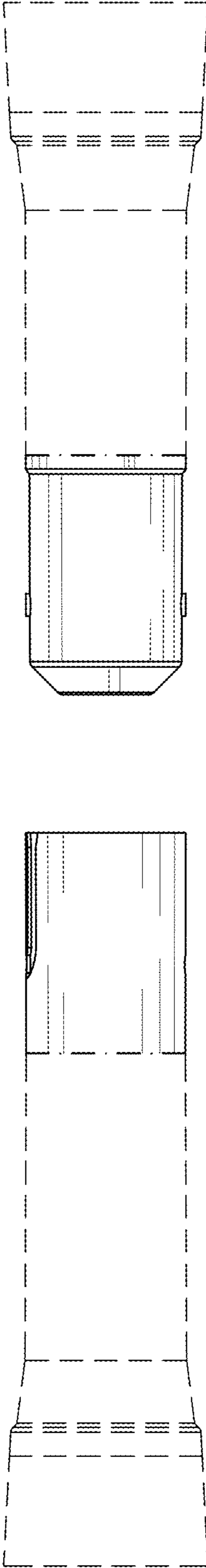


FIG. 5

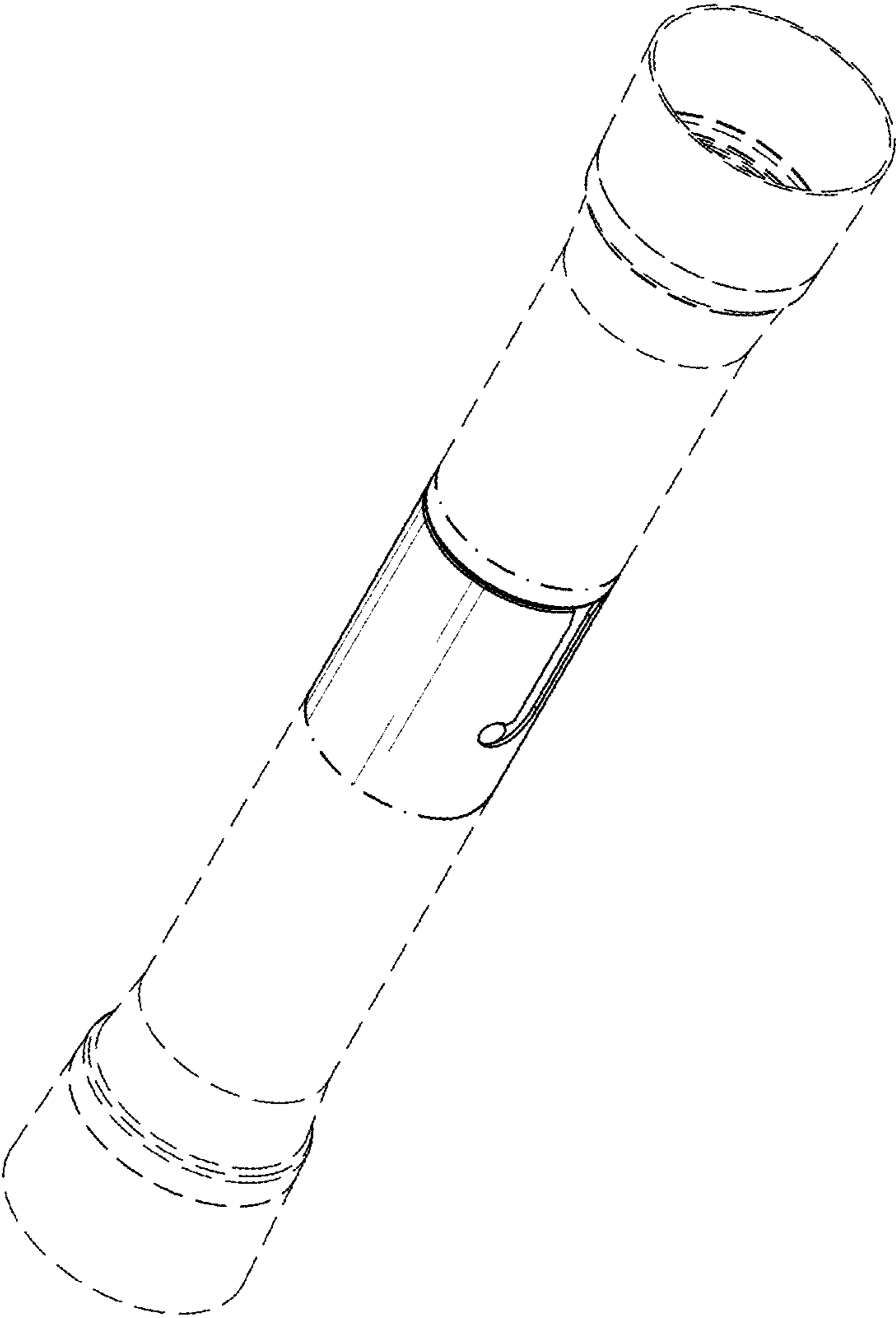


FIG. 6

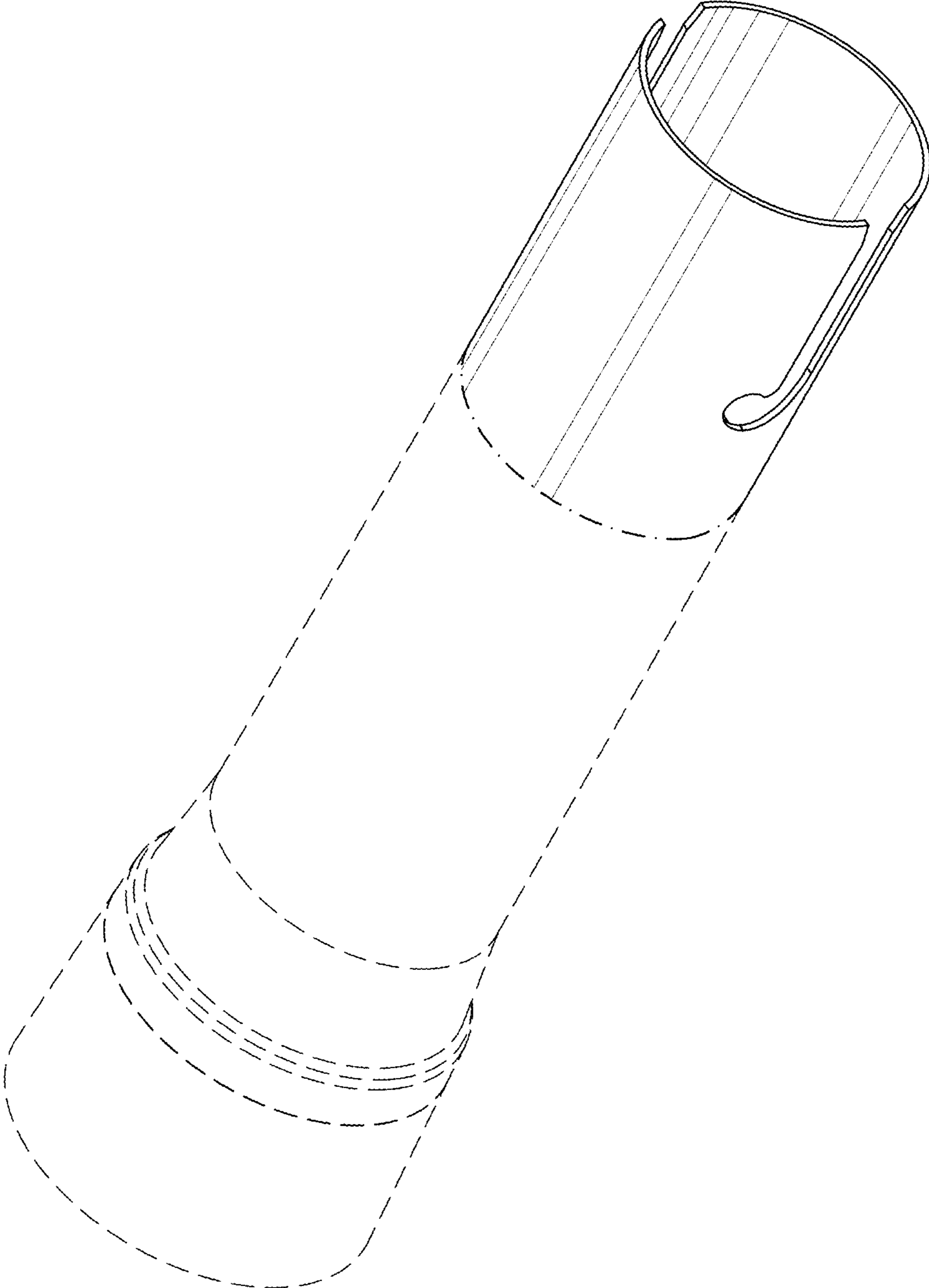


FIG. 7

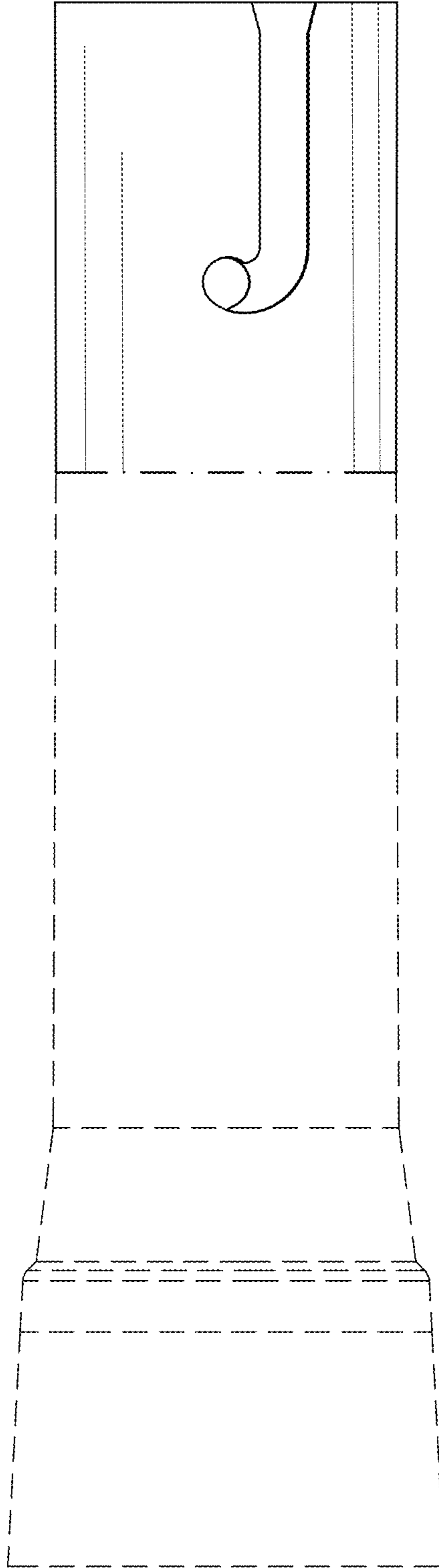


FIG. 8

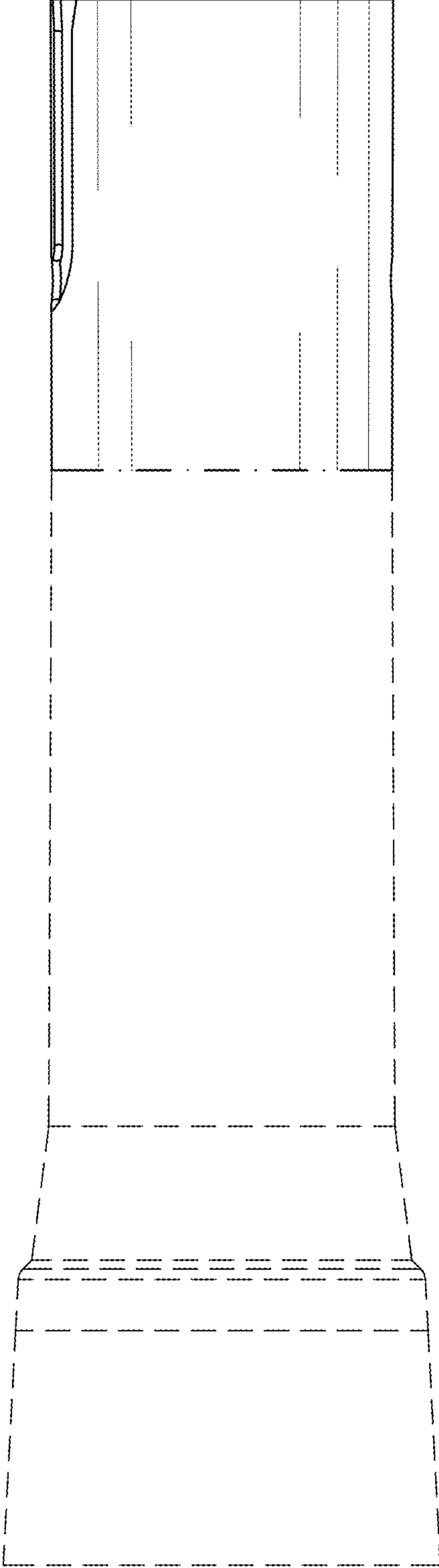


FIG. 9

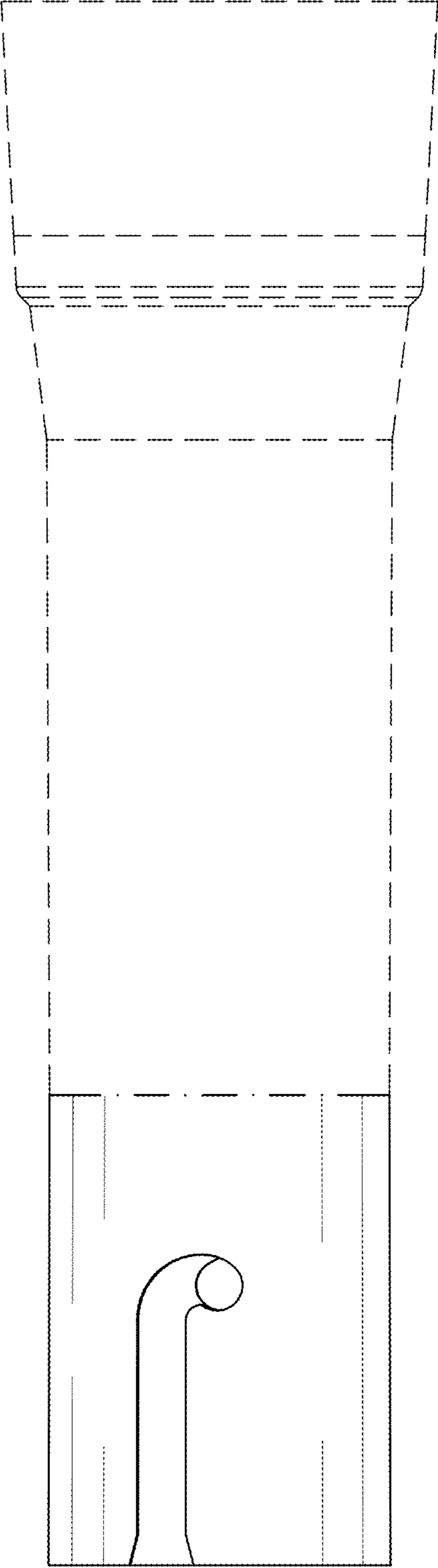


FIG. 10

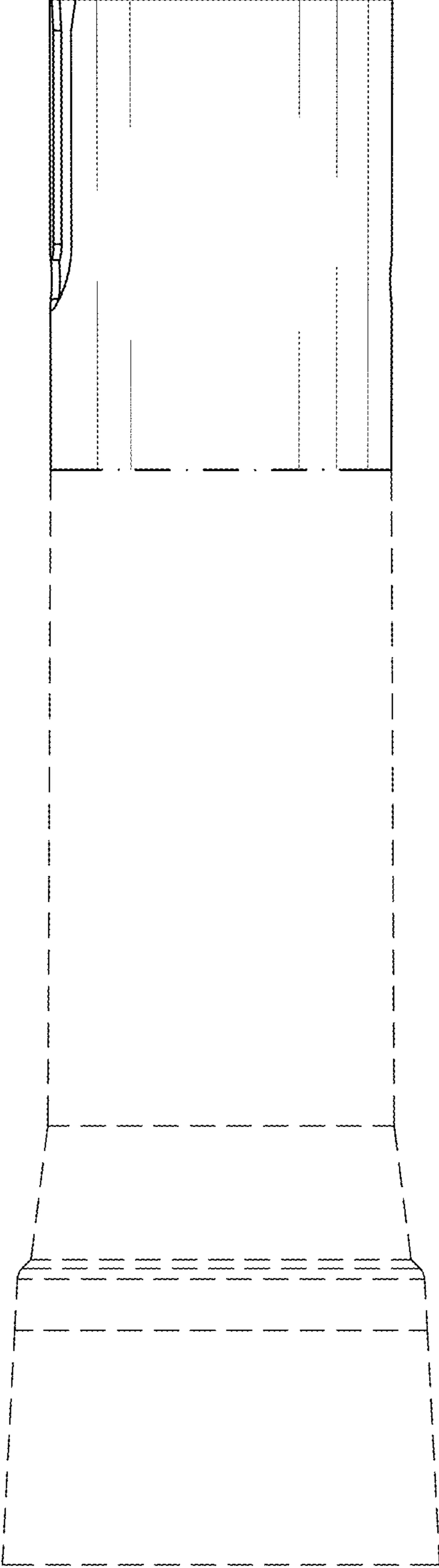
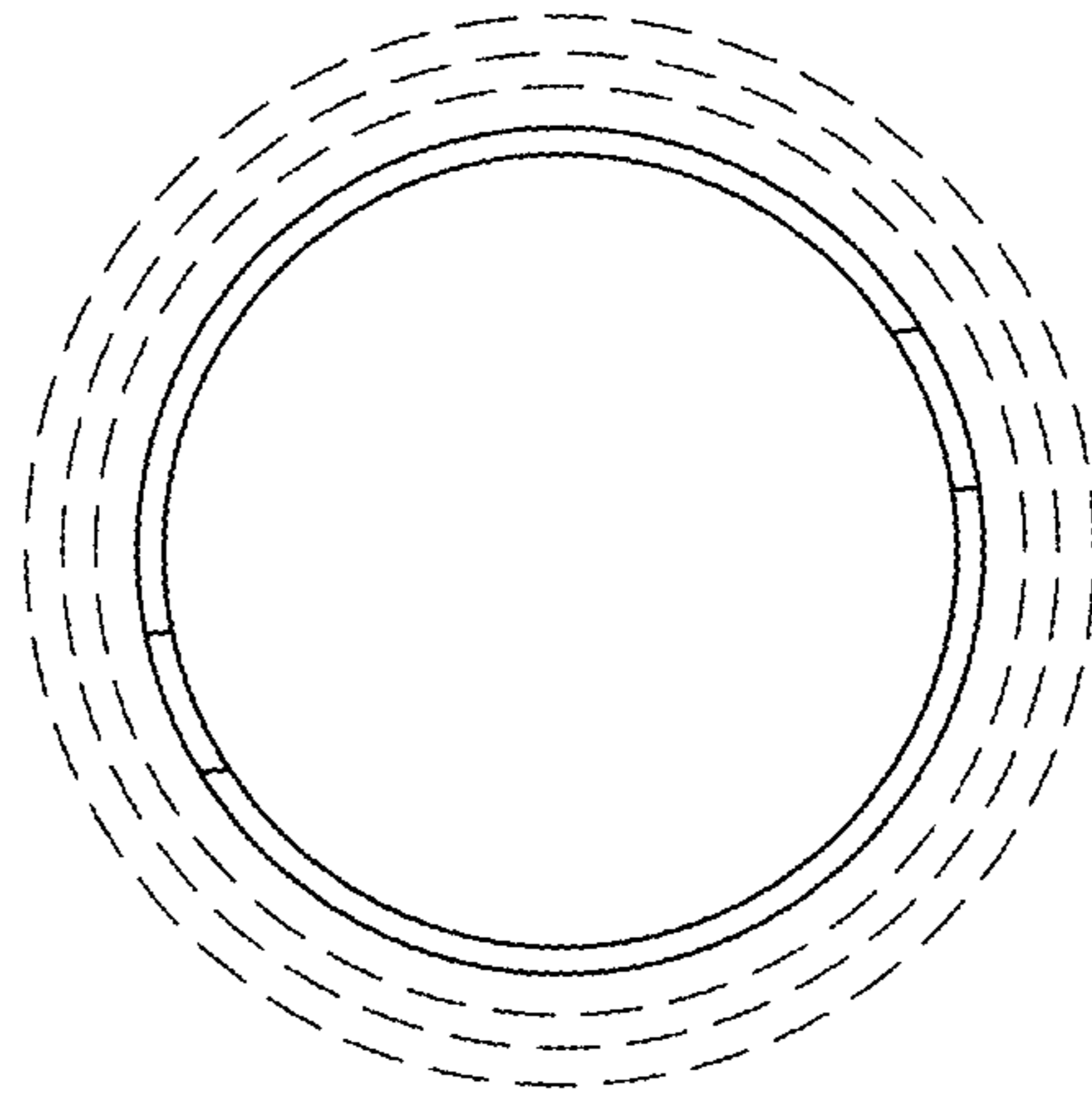


FIG. 11

FIG. 12



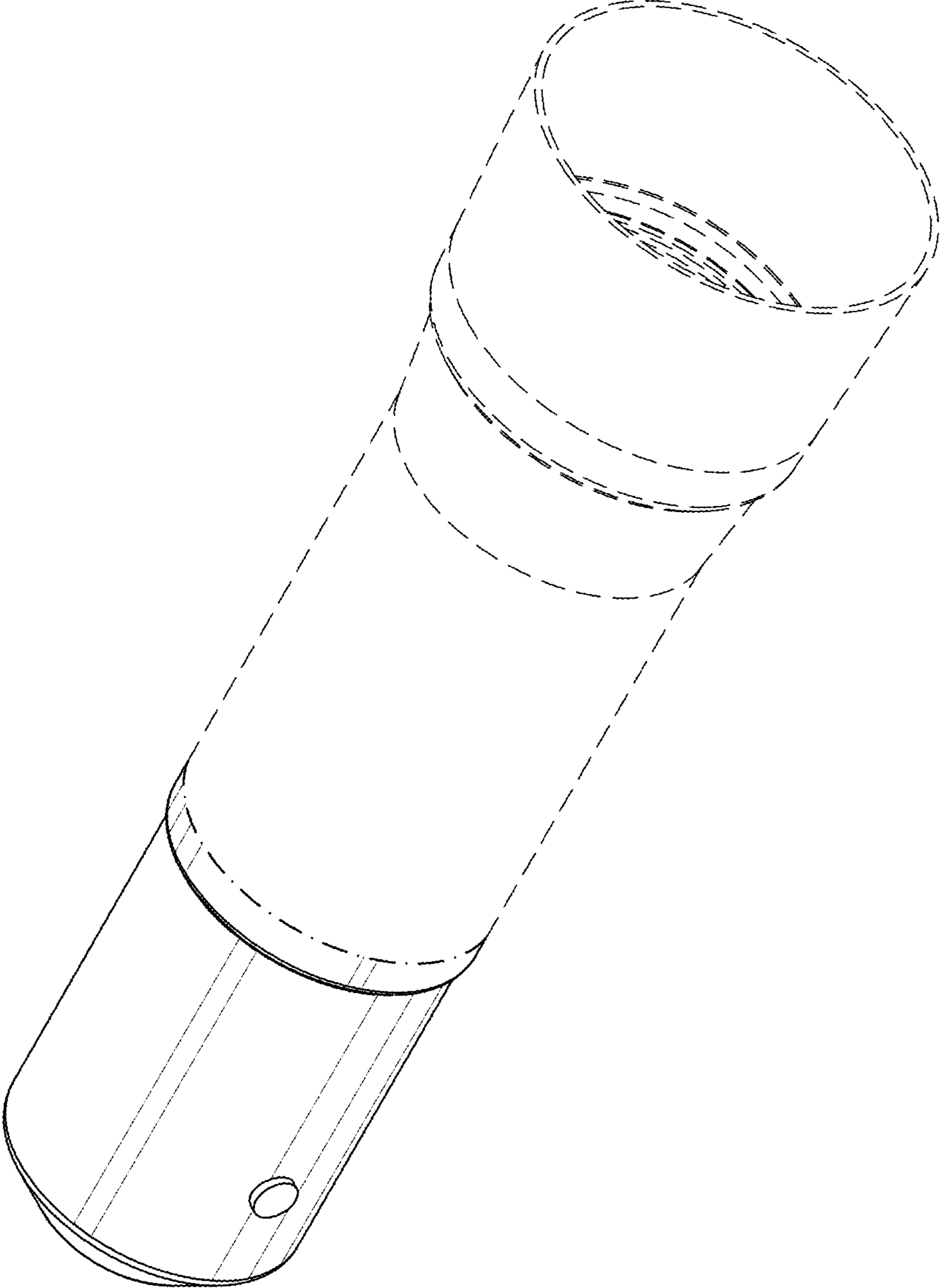


FIG. 13

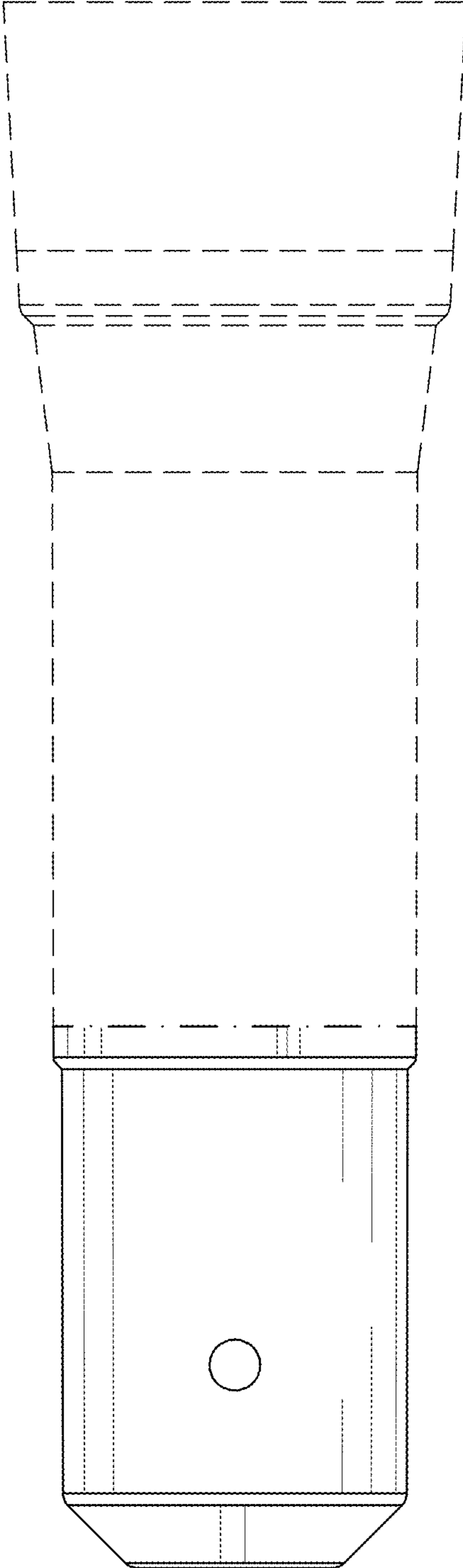


FIG. 14

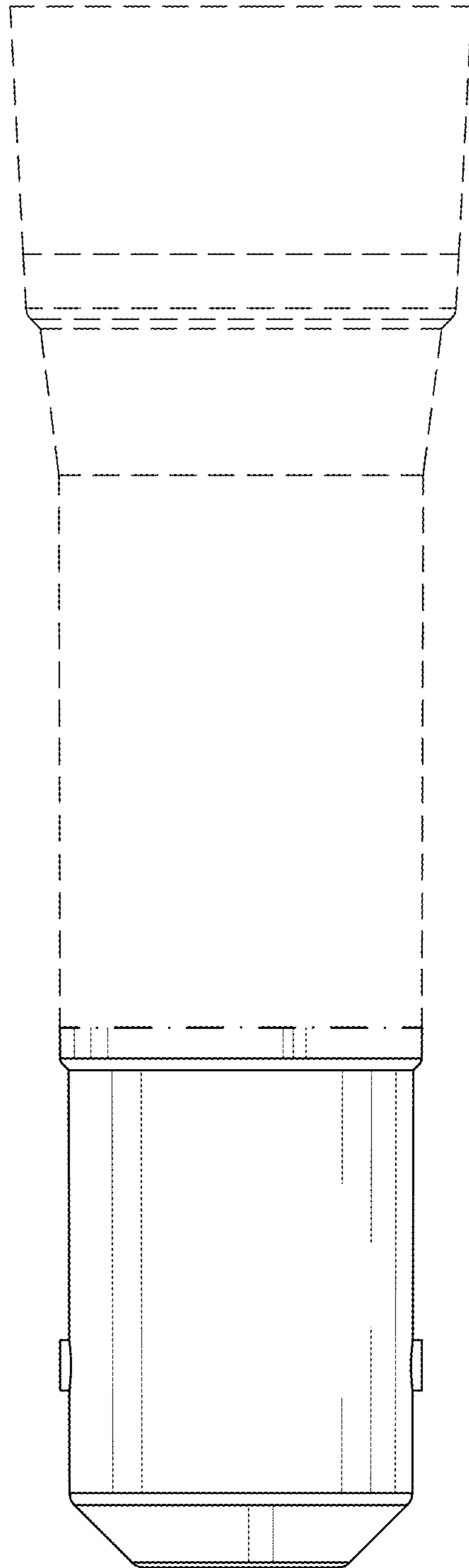


FIG. 15

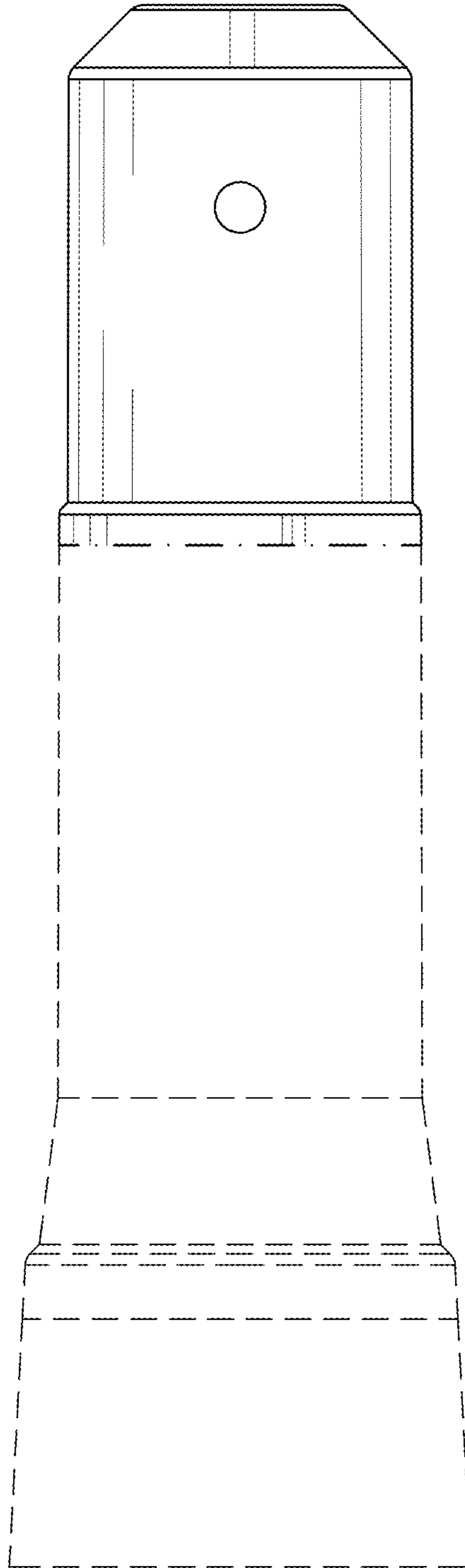


FIG. 16

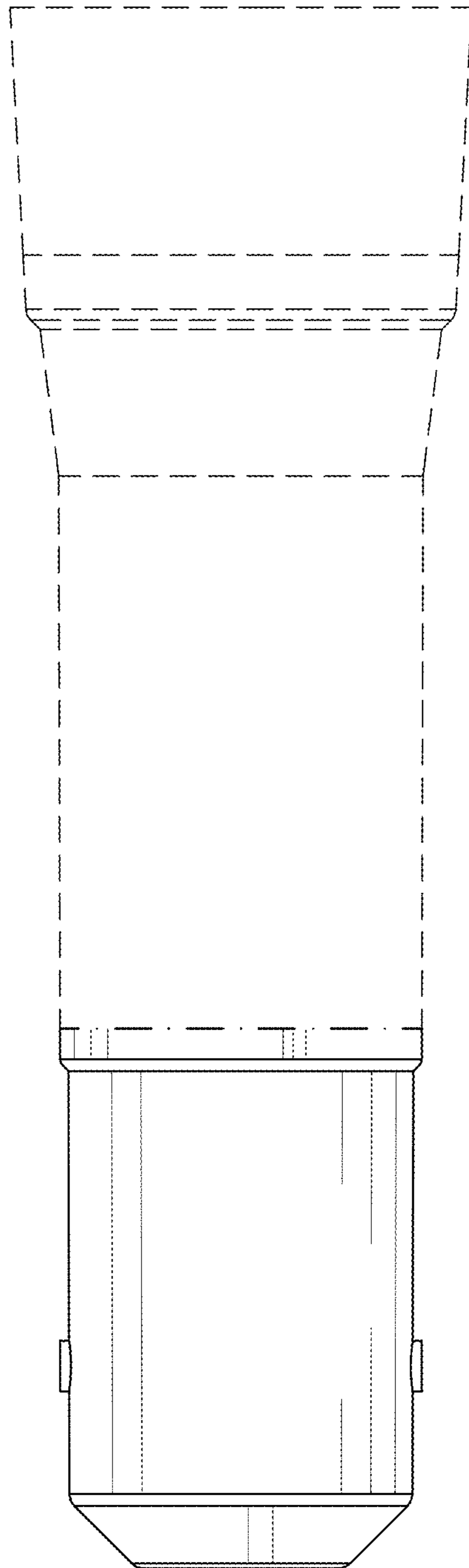


FIG. 17

FIG. 18

