



US00D885448S

(12) **United States Design Patent** (10) **Patent No.:** **US D885,448 S**
Ohta et al. (45) **Date of Patent:** **** May 26, 2020**

(54) **WELDING AND CUTTING MACHINE FOR METALS**

(71) Applicant: **Koike Sanso Kogyo Co., Ltd.**, Tokyo (JP)

(72) Inventors: **Satoshi Ohta**, Tokyo (JP); **Daisuke Kato**, Tokyo (JP); **Masatoshi Minahara**, Tokyo (JP); **Shun Hasegawa**, Tokyo (JP)

(73) Assignee: **Koike Sanso Kogyo Co., Ltd.**, Tokyo (JP)

(**) Term: **15 Years**

(21) Appl. No.: **35/506,640**

(22) Filed: **Oct. 19, 2018**

(80) **Hague Agreement Data**

Int. Filing Date: **Oct. 19, 2018**

Int. Reg. No.: **DM/103439**

Int. Reg. Date: **Oct. 19, 2018**

Int. Reg. Pub. Date: **Apr. 19, 2019**

(51) **LOC (12) Cl.** **15-09**

(52) **U.S. Cl.**
USPC **D15/144**
CPC **B29C 65/10** (2013.01)

(58) **Field of Classification Search**

USPC D8/29.1, 30; D13/109, 110, 112, 116, D13/122, 123, 133, 144, 184; D15/144, D15/144.1, 144.2, 145, 146
CPC ... B23K 9/00; B29C 65/1432; B29C 65/1467; B29C 65/4815; B29C 65/5042; B29C 65/5092; B29C 65/10; B26C 66/1142; B26C 66/43; B26C 66/435; B26C 66/73185; B26C 66/73921

See application file for complete search history.

(56) **References Cited**

U.S. PATENT DOCUMENTS

6,866,077	B2 *	3/2005	Zurmuhle	B29C 65/10 156/391
7,094,298	B2 *	8/2006	Schwetz	B29C 65/10 156/391
D558,803	S *	1/2008	Gisler	D15/144
D621,430	S *	8/2010	Christen	D15/144
D654,521	S *	2/2012	Flubacher	D15/144
D669,106	S *	10/2012	Flubacher	D15/144
D821,464	S *	6/2018	Lin	D15/144
D821,467	S *	6/2018	Lin	D15/144
D824,439	S *	7/2018	Ide	D15/144
D833,491	S *	11/2018	Rieser	D15/144
D845,367	S *	4/2019	Rieser	D15/144
D860,276	S *	9/2019	Lin	D15/144
D868,126	S *	11/2019	Shu	D15/144

* cited by examiner

Primary Examiner — Richard E Chilcot

(74) *Attorney, Agent, or Firm* — Shlesinger, Arkwright & Garvey LLP

(57) **CLAIM**

The ornamental design for the welding and cutting machine for metals, as shown and described.

DESCRIPTION

1. Welding and cutting machine for metals

1.1 : Perspective

1.2 : Front

1.3 : Back

1.4 : Top

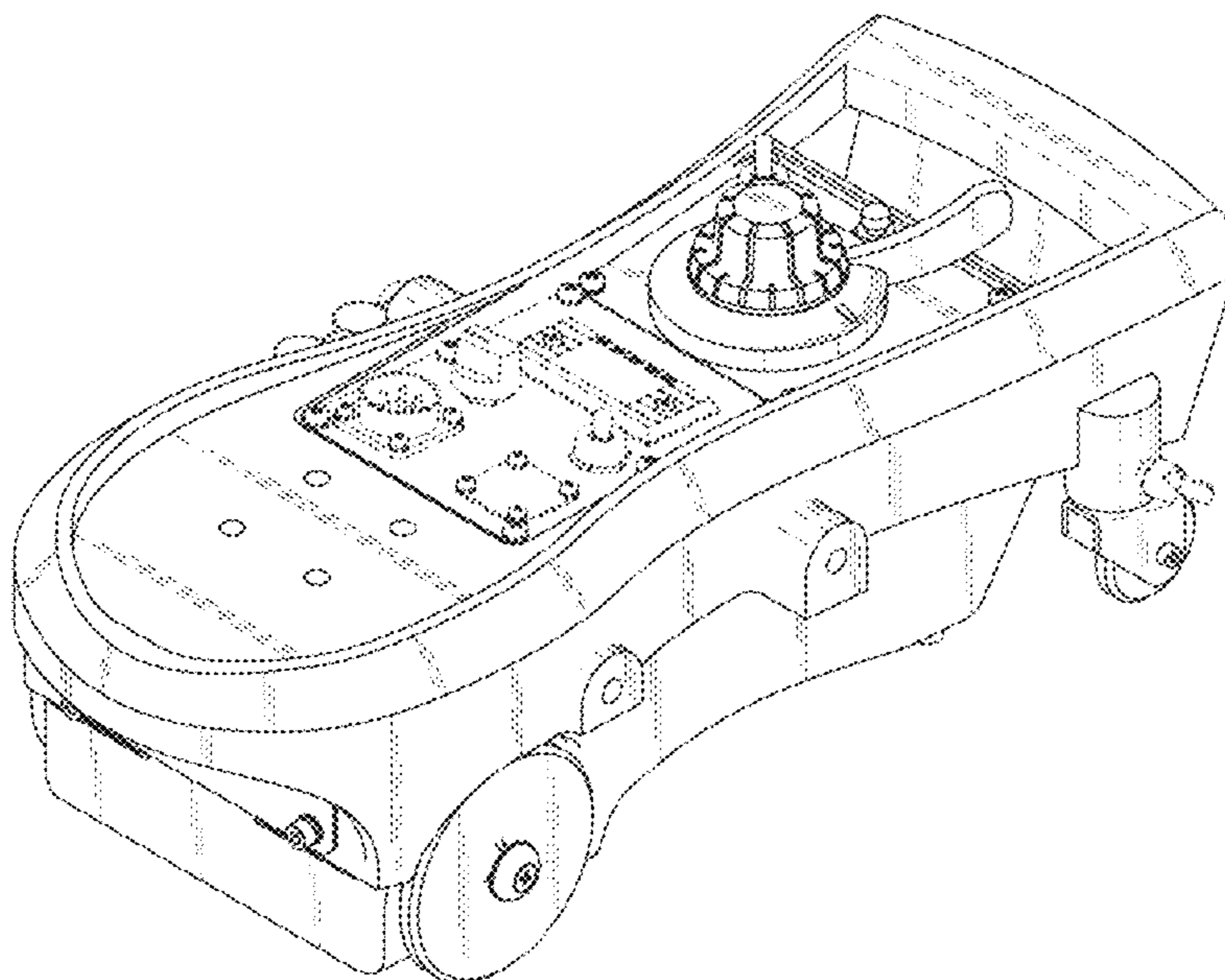
1.5 : Bottom

1.6 : Left

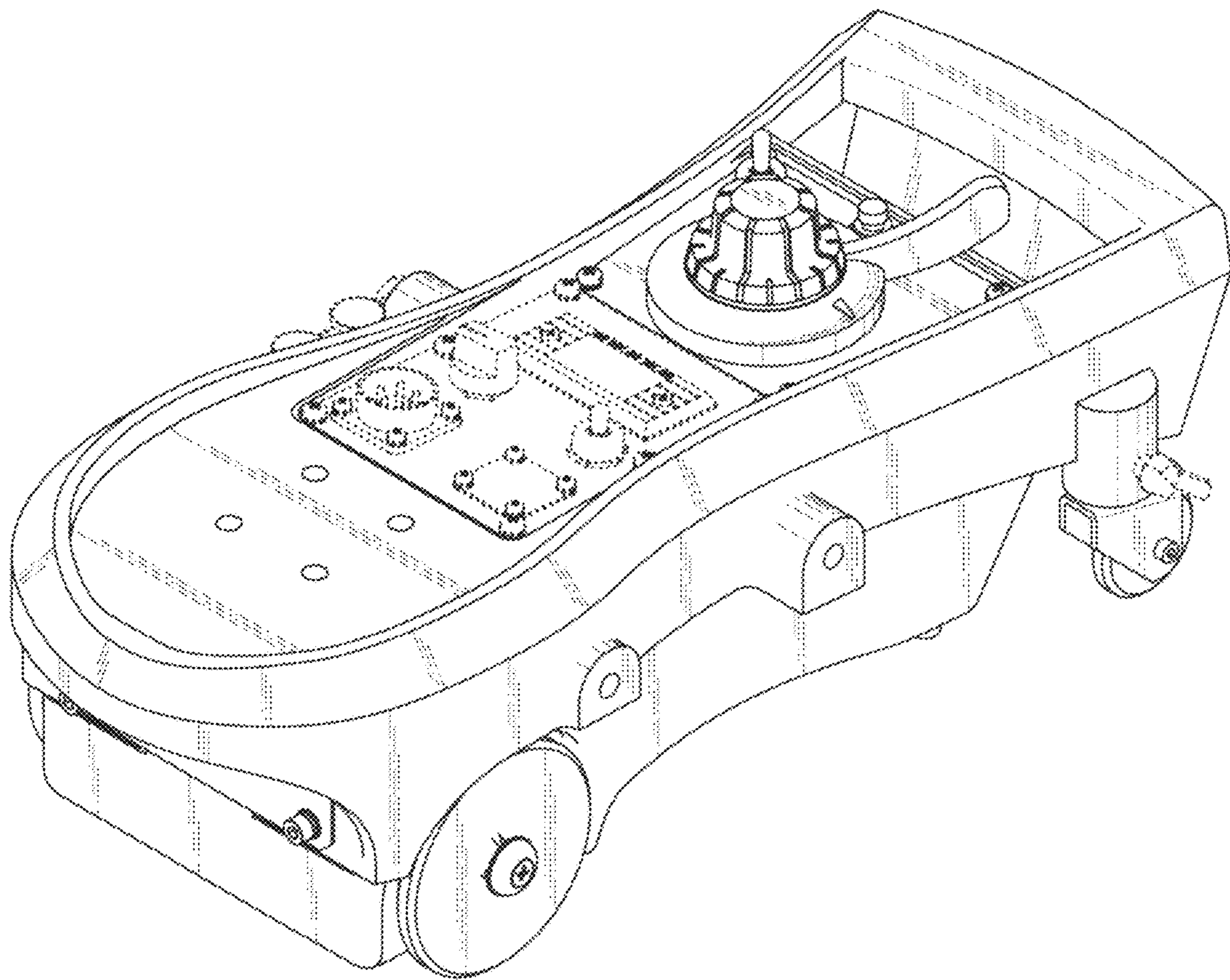
1.7 : Right

The broken lines shown in the drawings represent portions of the welding and cutting machine for metals that form no part of the claimed design.

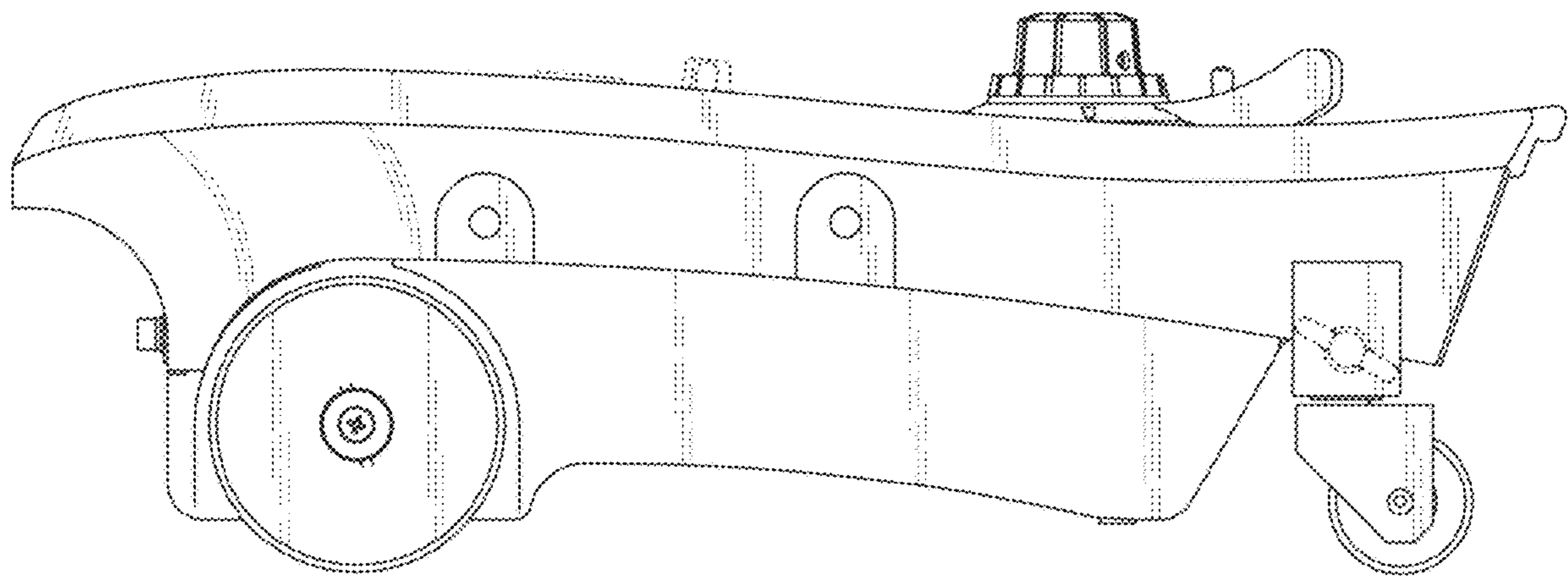
1 Claim, 7 Drawing Sheets



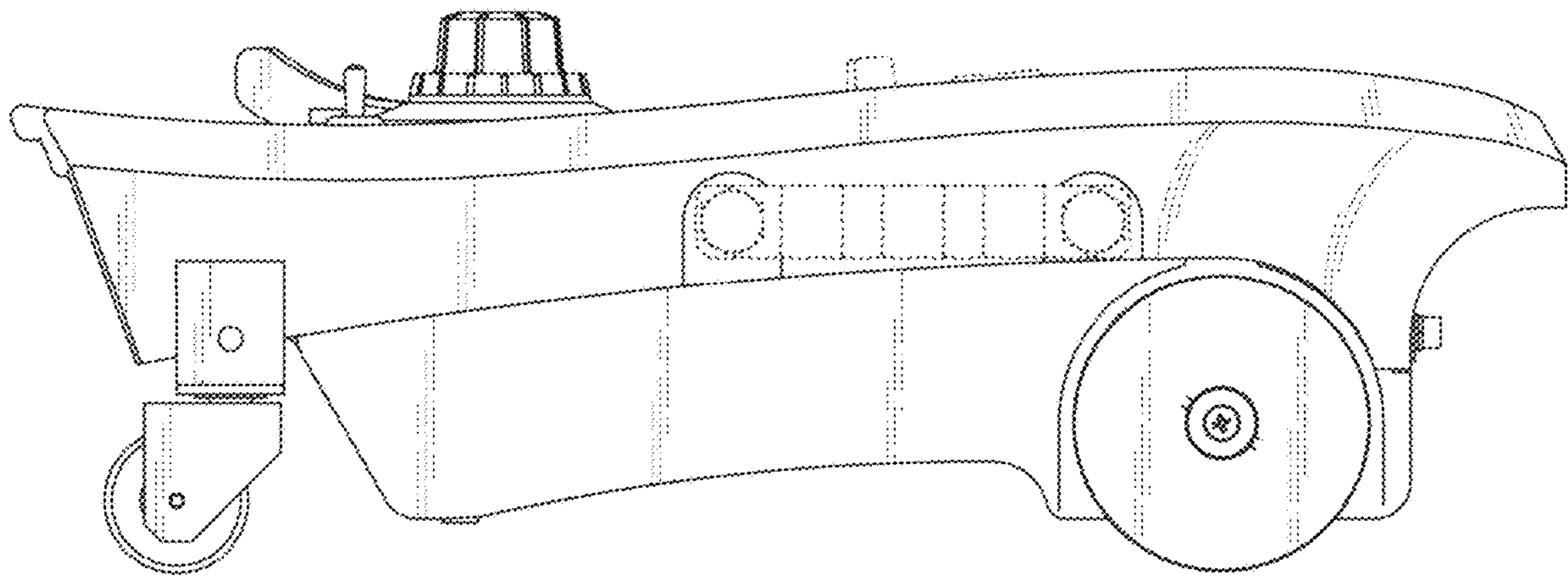
1.1



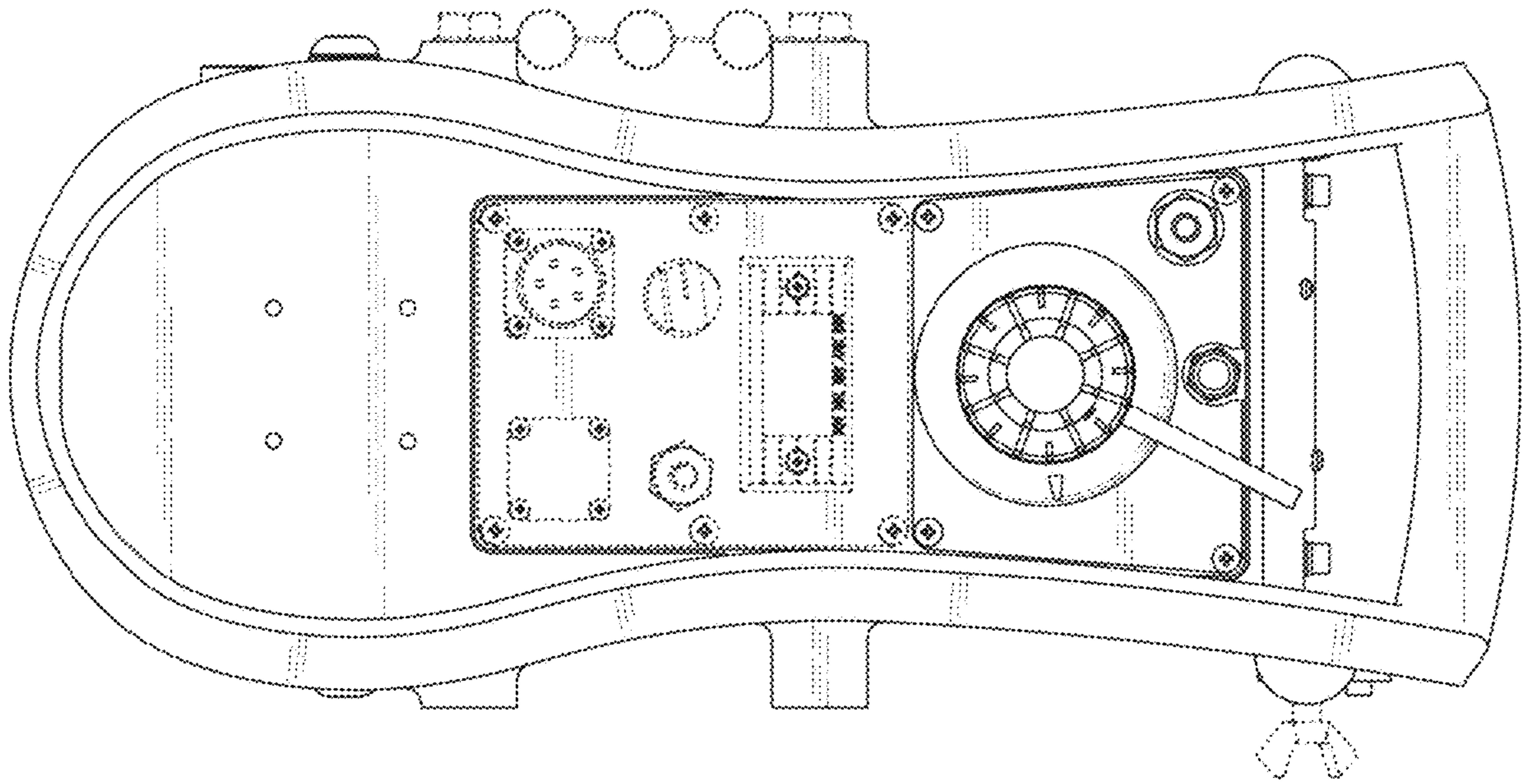
1.2



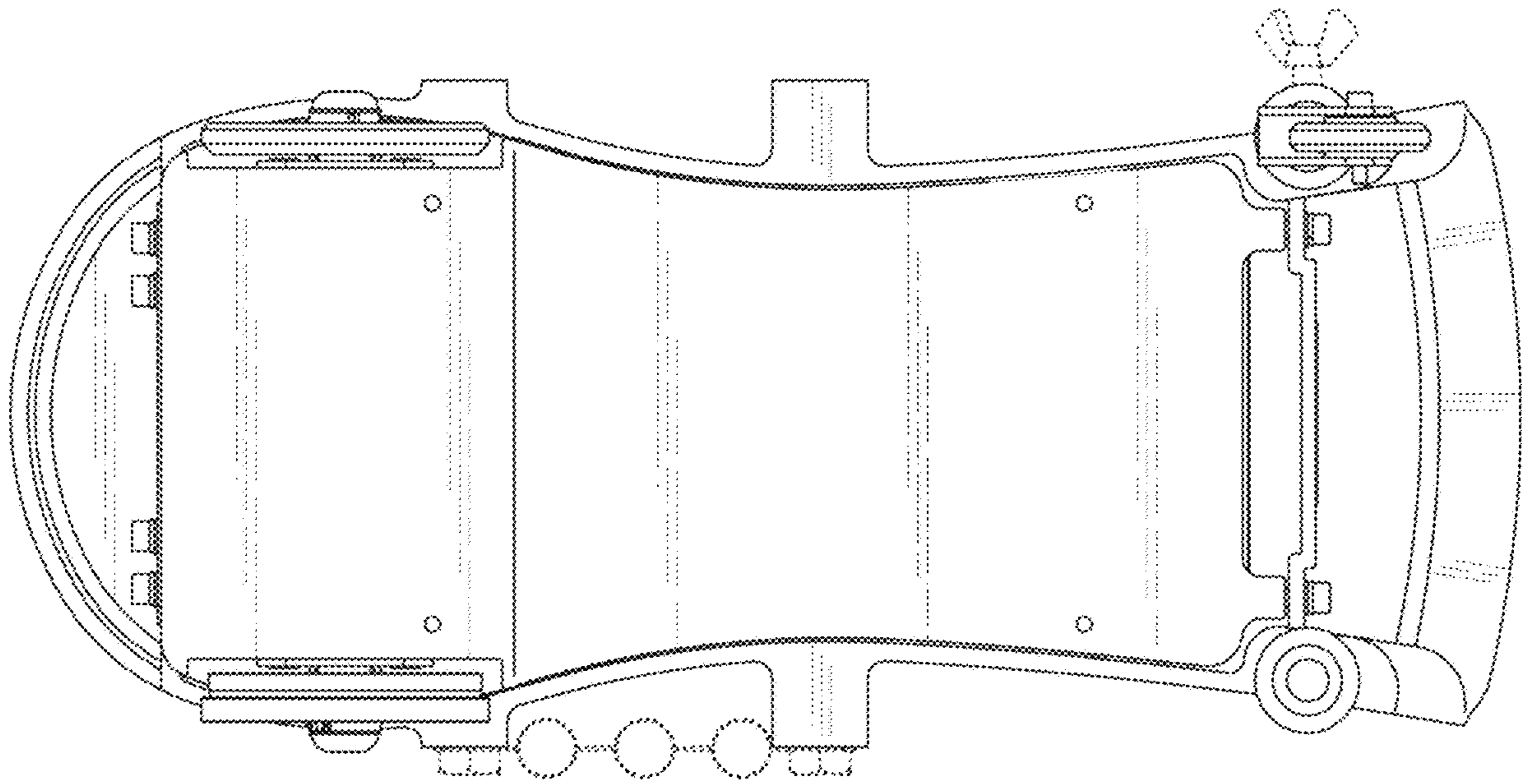
1.3



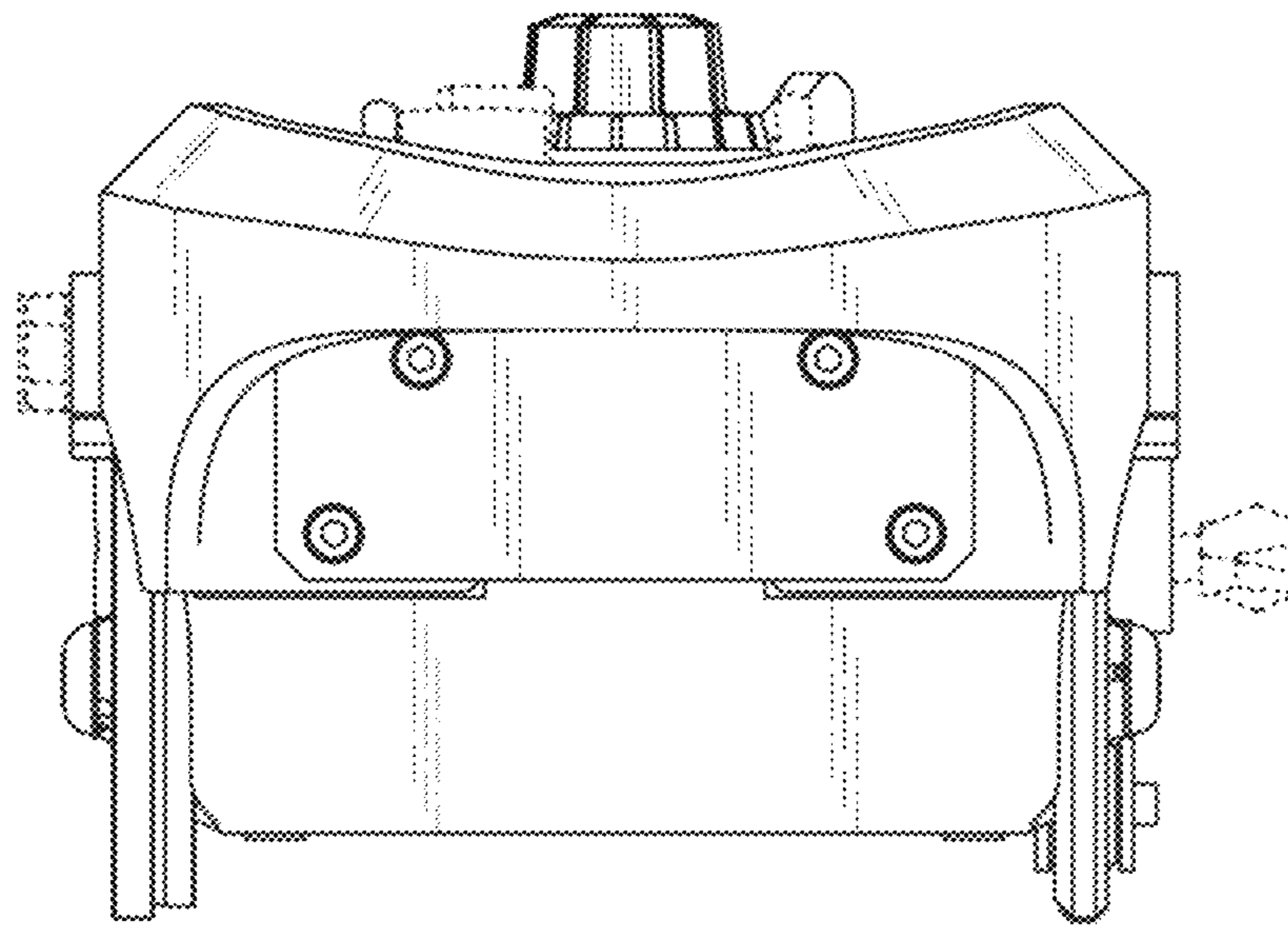
1.4



1.5



1.6



1.7

