



US00D885445S

(12) **United States Design Patent** (10) **Patent No.:** **US D885,445 S**
Moser (45) **Date of Patent:** **** *May 26, 2020**

(54) **AMMUNITION BOX AIR COMPRESSOR**

(71) Applicant: **John Moser**, Scottsdale, AZ (US)

(72) Inventor: **John Moser**, Scottsdale, AZ (US)

(*) Notice: This patent is subject to a terminal disclaimer.

(**) Term: **15 Years**

(21) Appl. No.: **29/623,441**

(22) Filed: **Oct. 25, 2017**

(51) **LOC (12) Cl.** **15-03**

(52) **U.S. Cl.**
USPC **D15/9**

(58) **Field of Classification Search**
USPC D15/7-9; D23/225, 231, 232; D3/221, D3/225, 230, 262, 272, 273, 274, 294, D3/904
CPC F02M 37/04; F02M 37/14; F04B 53/92; F04B 1/005; F04D 13/06; F04D 29/22; F04D 29/046; F04D 29/2266
See application file for complete search history.

(56) **References Cited**

U.S. PATENT DOCUMENTS

D237,611 S * 11/1975 Minneman D3/225
4,194,657 A * 3/1980 Thor A45F 5/02
206/3

D263,987 S * 4/1982 Milliman D3/225
D663,111 S * 7/2012 Paslawski D3/203.2
D712,141 S * 9/2014 Minneman D3/262
D780,439 S * 3/2017 Moser D3/225

* cited by examiner

Primary Examiner — Khawaja Anwar

(74) *Attorney, Agent, or Firm* — Michael C. Cesarano

(57) **CLAIM**

I claim the ornamental design for an “ammunition box air compressor”, as shown.

DESCRIPTION

FIG. 1 is a perspective view of the ammunition box air compressor, showing the present invention.

FIG. 2 is a rear elevational view of the ammunition box air compressor of the invention.

FIG. 3 is a front elevational view of the ammunition box air compressor of the invention.

FIG. 4 is a left elevational view of the ammunition box air compressor of the invention.

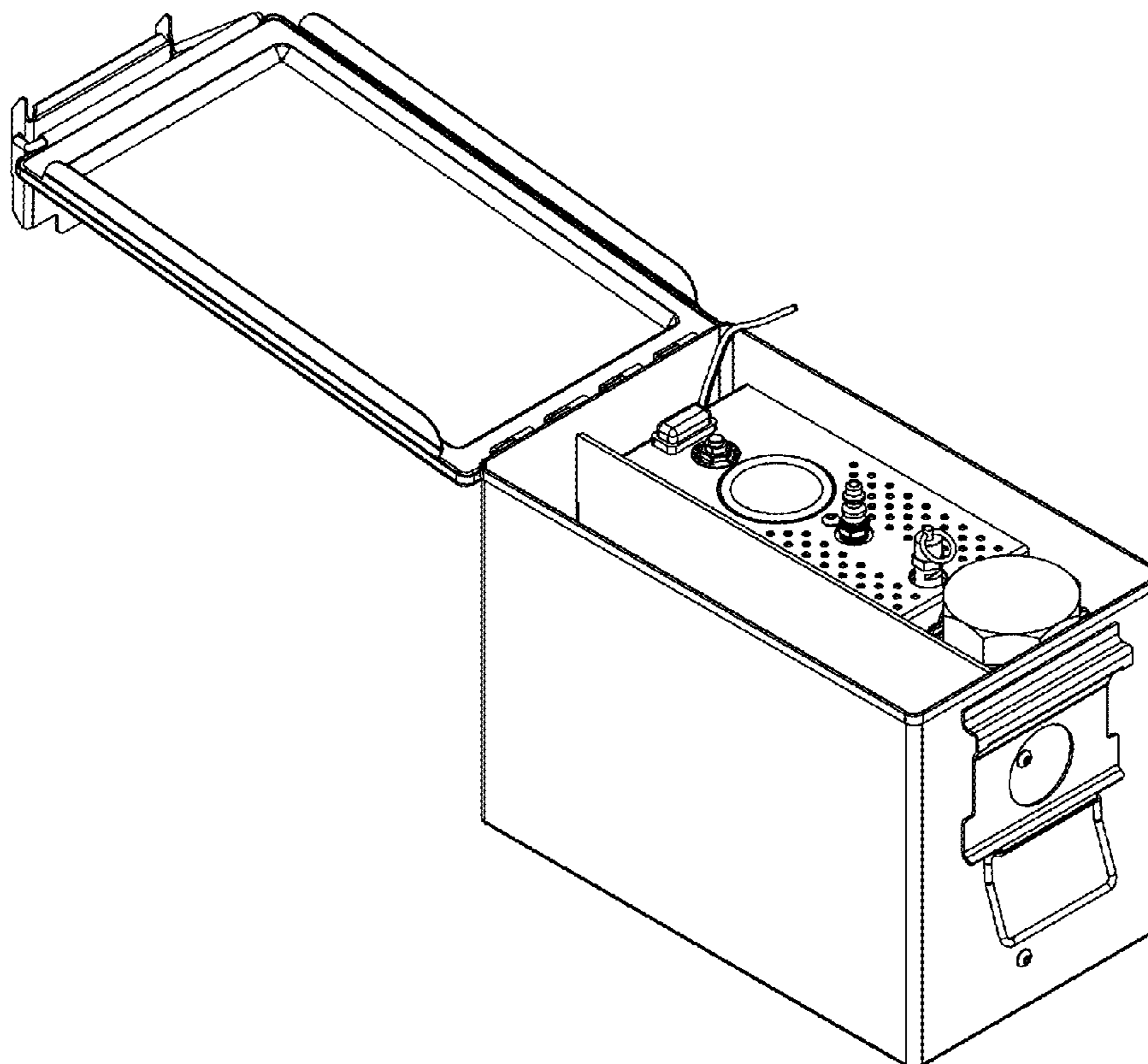
FIG. 5 is a plan view of the ammunition box air compressor of the invention.

FIG. 6 is a right elevational view of the ammunition box air compressor of the invention; and,

FIG. 7 is a bottom view of the ammunition box air compressor of the invention.

In all views the top lid is shown in the open position.

1 Claim, 3 Drawing Sheets



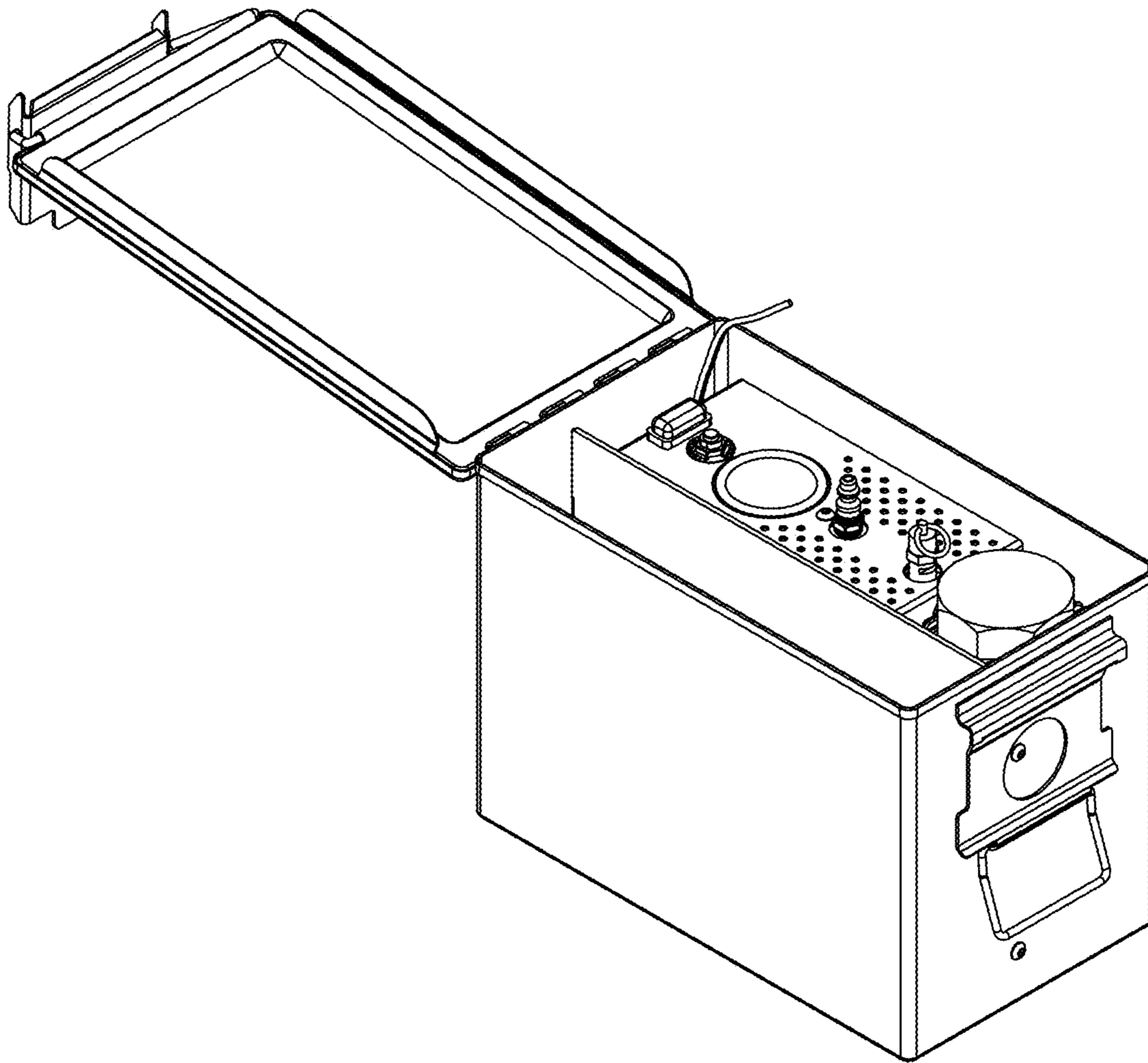


Fig. 1

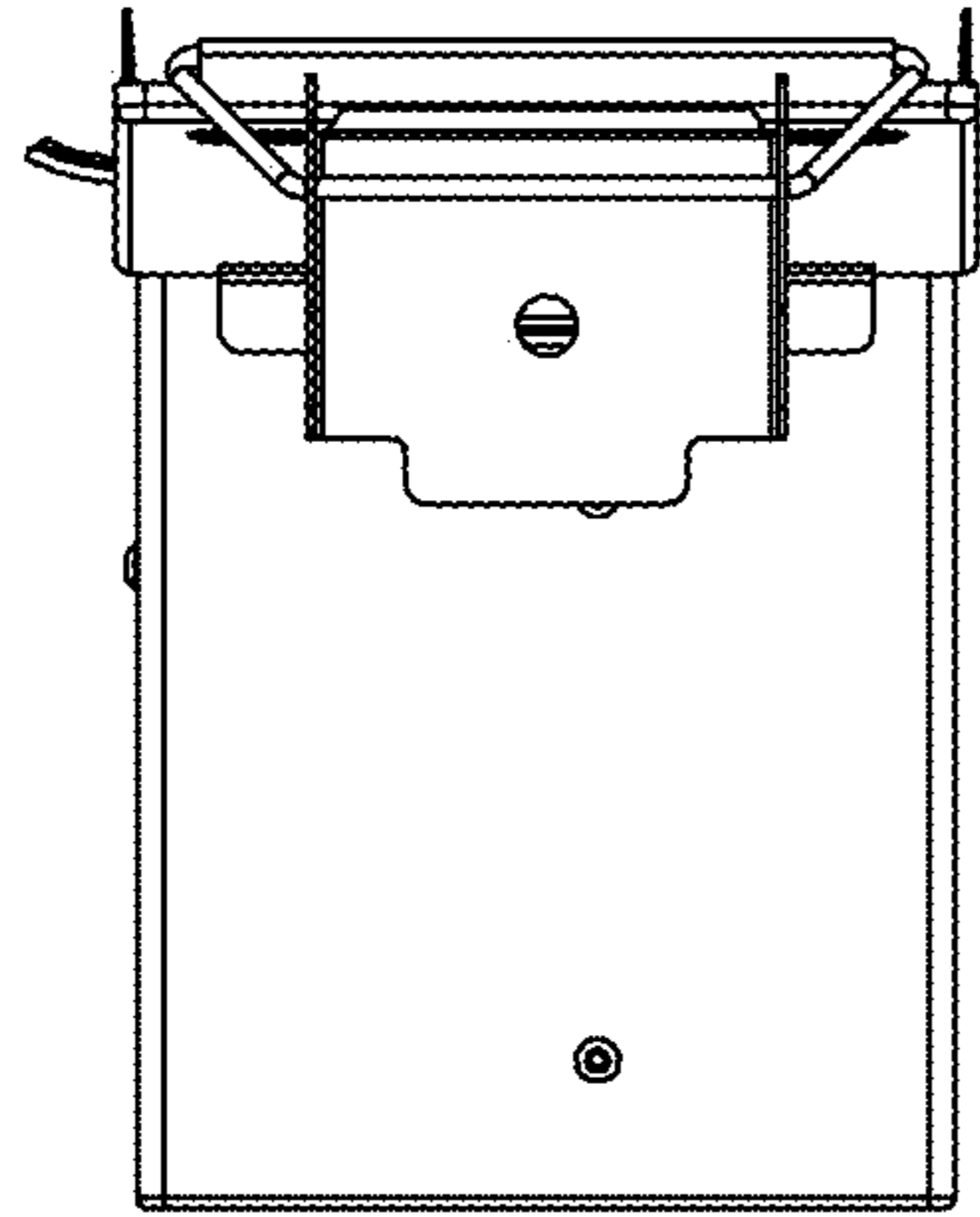


Fig. 2

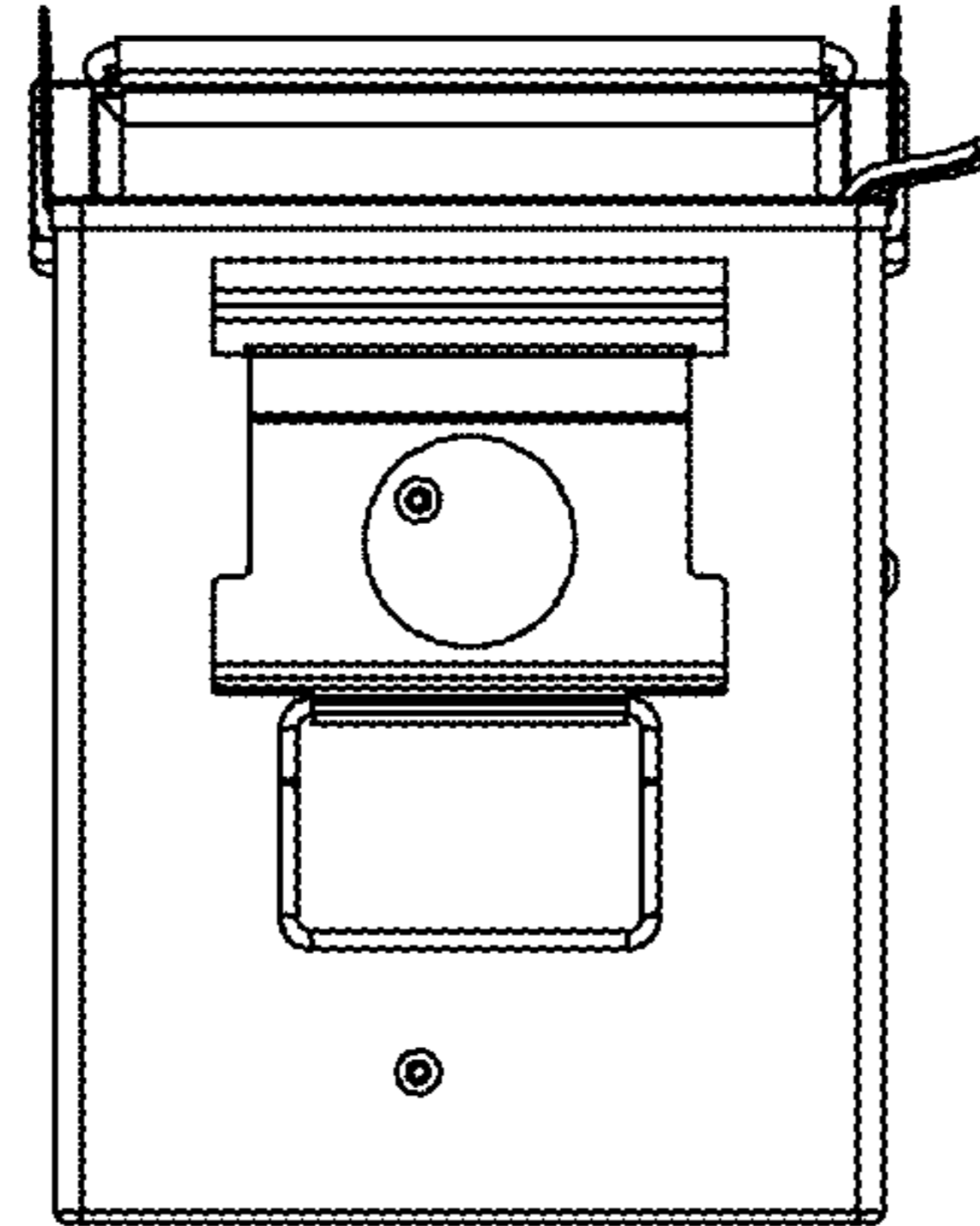


Fig. 3

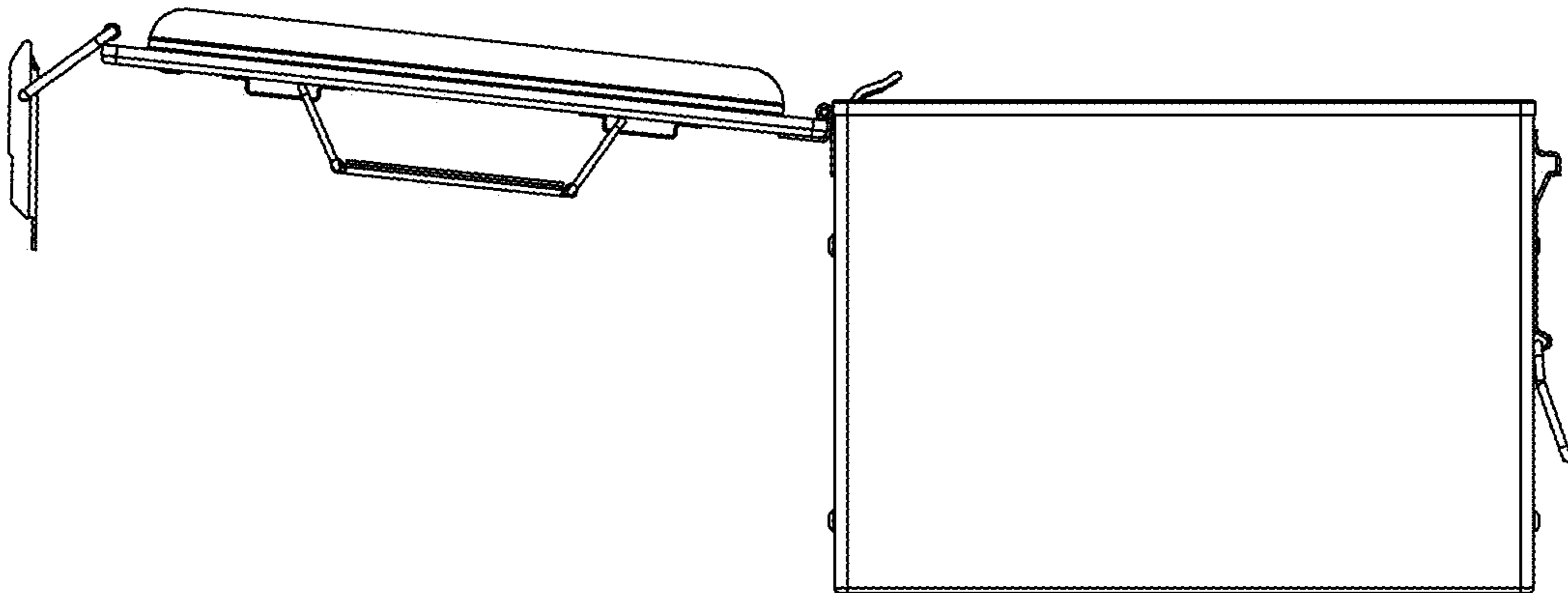


Fig. 4

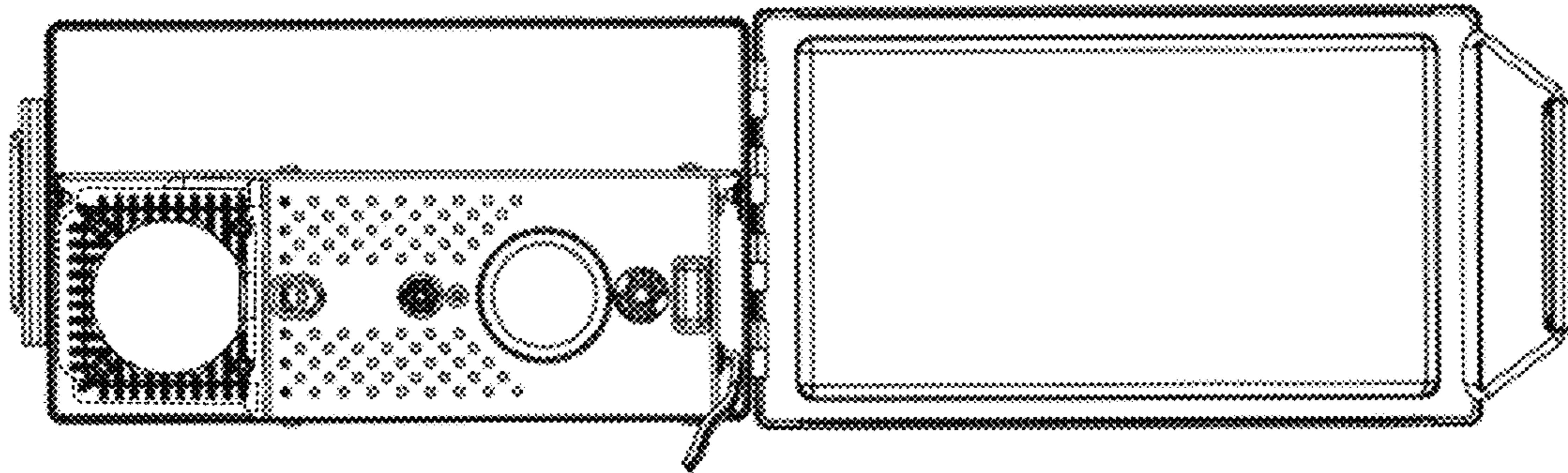


Fig. 5

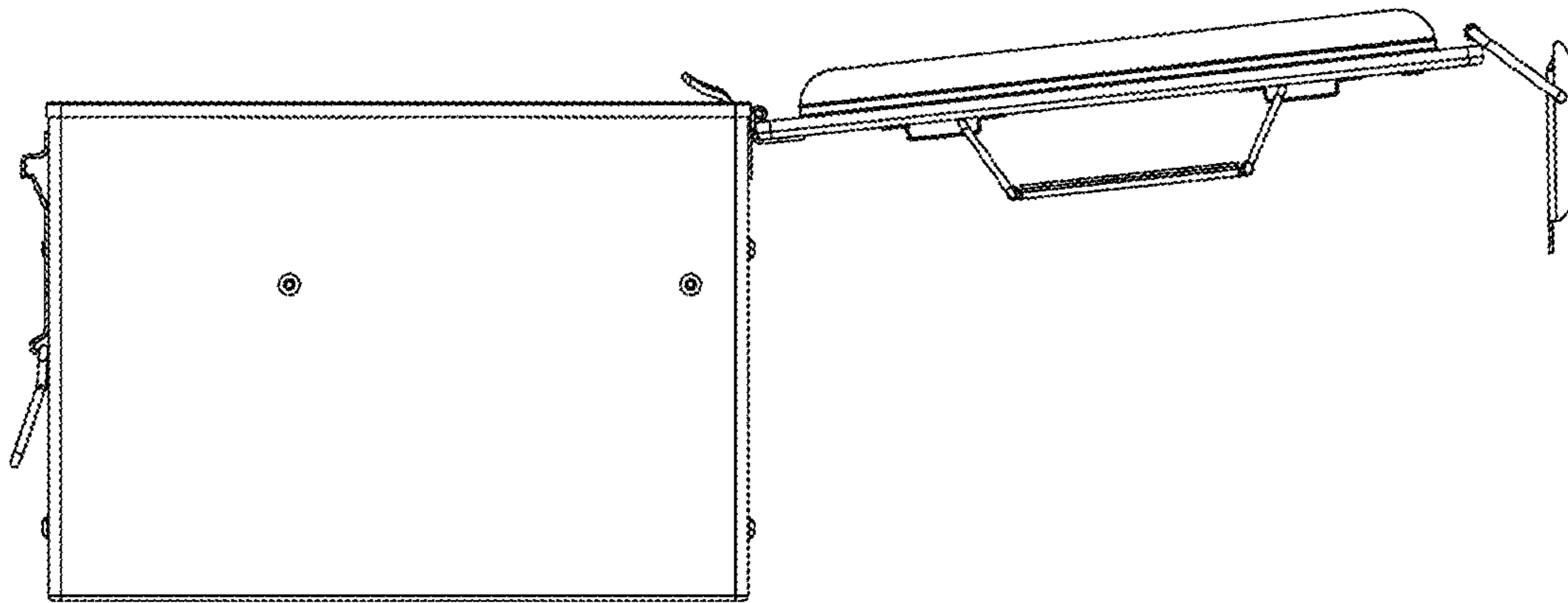


Fig. 6

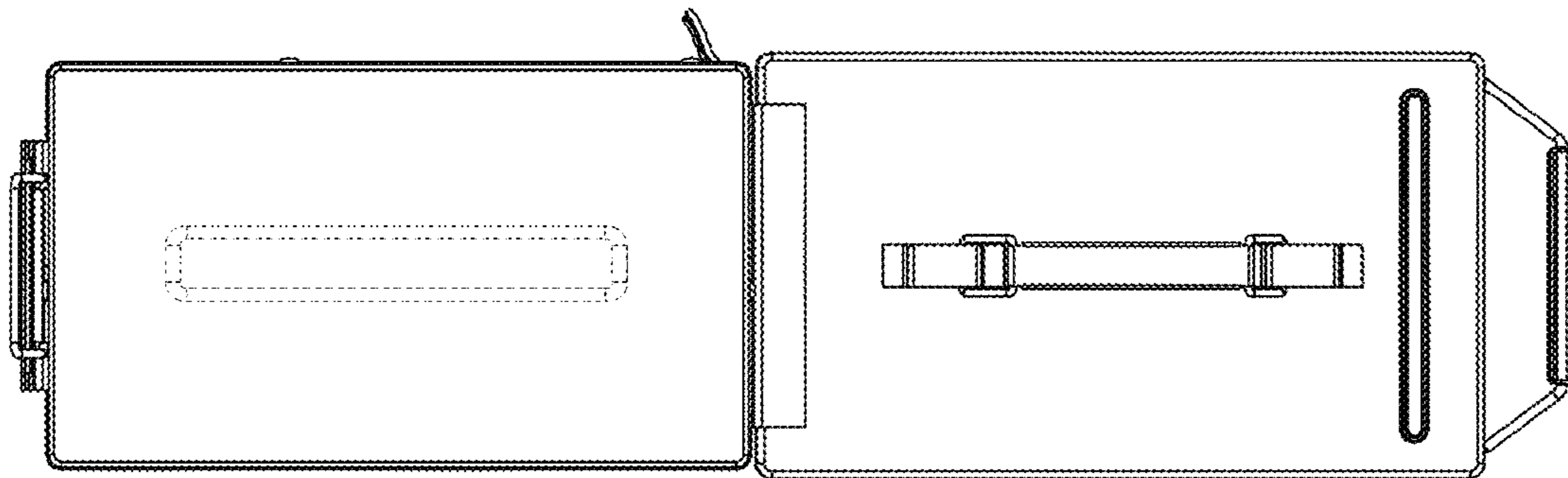


Fig. 7