



US00D885441S

(12) **United States Design Patent** (10) **Patent No.:** **US D885,441 S**
Sharpe et al. (45) **Date of Patent:** **** May 26, 2020**

(54) **PUMP COVER**

D804,981 S * 12/2017 Pohl D11/7
D826,284 S * 8/2018 Mead D15/7

(71) Applicant: **Gary L. Sharpe**, Naples, FL (US)

* cited by examiner

(72) Inventors: **Gary L. Sharpe**, Naples, FL (US);
Lacey Fenner, Columbus, OH (US);
Brian Dutro, Dublin, OH (US)

Primary Examiner — Mitchell I. Siegel
(74) *Attorney, Agent, or Firm* — Standley Law Group
LLP; Jeffrey Standley; Jeffrey Norris

(73) Assignee: **Gary L. Sharpe**, Naples, FL (US)

(57) **CLAIM**

The ornamental design for the pump cover, as shown and described.

(**) Term: **15 Years**

DESCRIPTION

(21) Appl. No.: **29/671,927**

FIG. 1 is a top, front and left side perspective view of a pump cover.

(22) Filed: **Nov. 30, 2018**

FIG. 2 is a top, front and right side perspective view of the pump cover of FIG. 1.

(51) **LOC (12) Cl.** **15-02**

FIG. 3 is a bottom, rear and right side perspective view of the pump cover of FIG. 1.

(52) **U.S. Cl.**

FIG. 4 is a bottom, rear and left side perspective view of the pump cover of FIG. 1.

USPC **D15/7**

FIG. 5 is a front elevation view of the pump cover of FIG. 1.

(58) **Field of Classification Search**

USPC D15/7-9; D23/231, 232, 225

FIG. 6 is a rear elevation view of the pump cover of FIG. 1.

CPC F02M 37/04; F02M 37/14; F04B 53/92;

FIG. 7 is a top plan view of the pump cover of FIG. 1.

F04B 1/005; B29C 47/92; B29C 47/0026

FIG. 8 is a bottom plan view of the pump cover of FIG. 1.

See application file for complete search history.

FIG. 9 is a left end elevation view of the pump cover of FIG. 1; and,

(56) **References Cited**

U.S. PATENT DOCUMENTS

FIG. 10 is a right end elevation view of the pump cover of FIG. 1.

3,635,344 A * 1/1972 Lovitz A01K 63/045

210/167.27

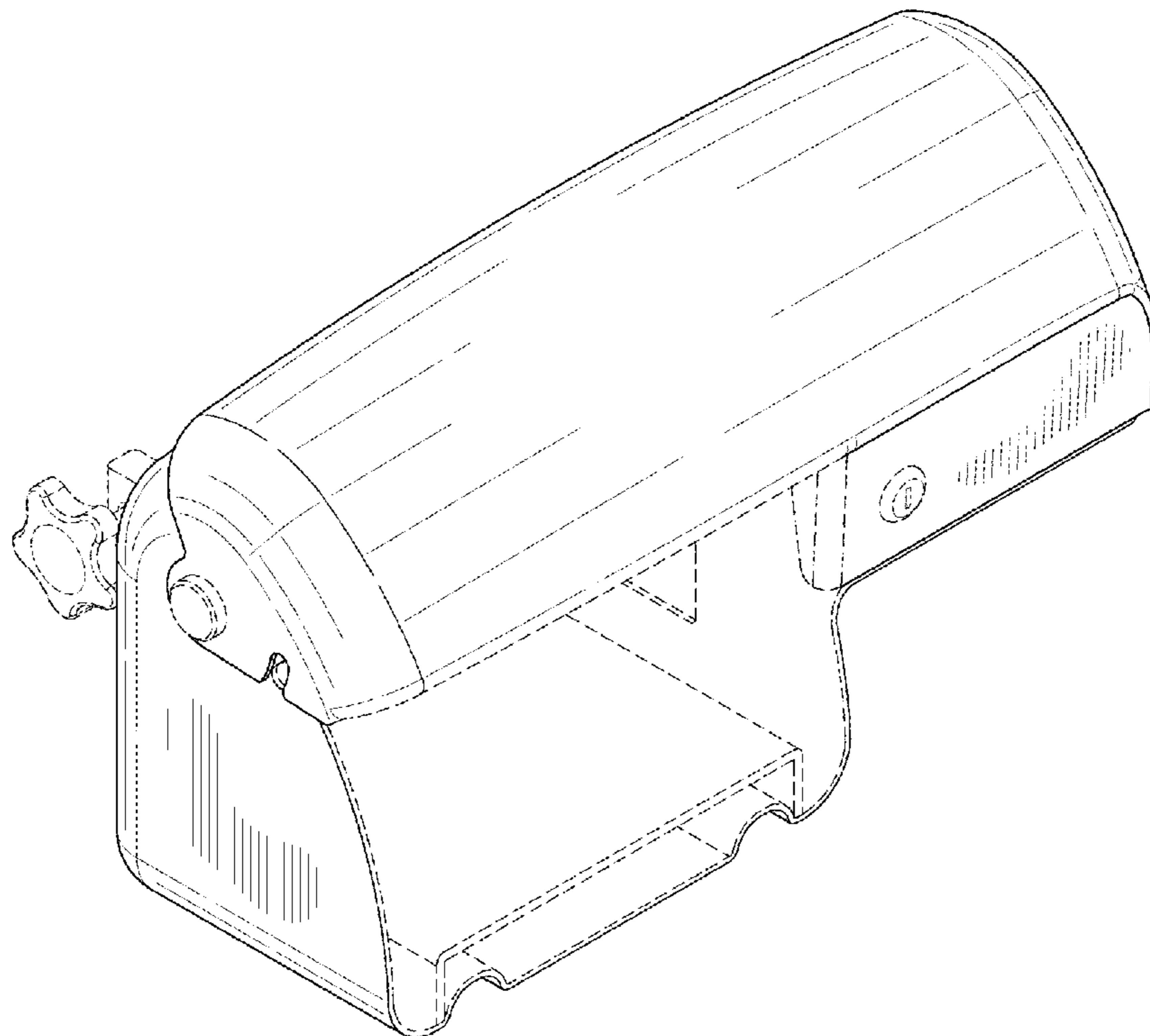
D231,132 S * 4/1974 Lovitz D15/7

D602,960 S * 10/2009 Bukoski D15/9

D709,920 S * 7/2014 Tristano D15/7

The broken lines shown are included for the purpose of illustrating unclaimed subject matter and forms no part of the claimed design.

1 Claim, 7 Drawing Sheets



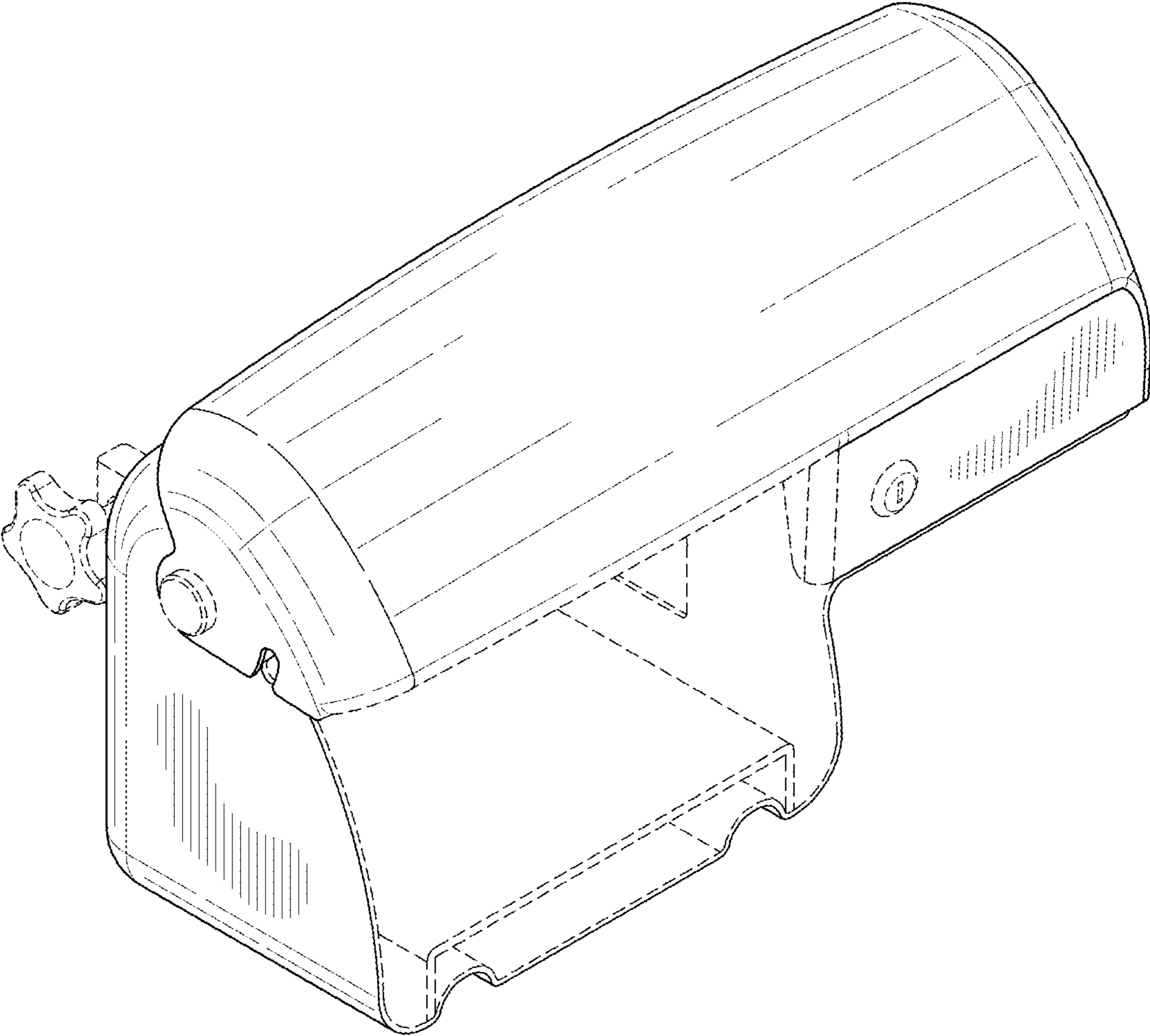


FIG. 1

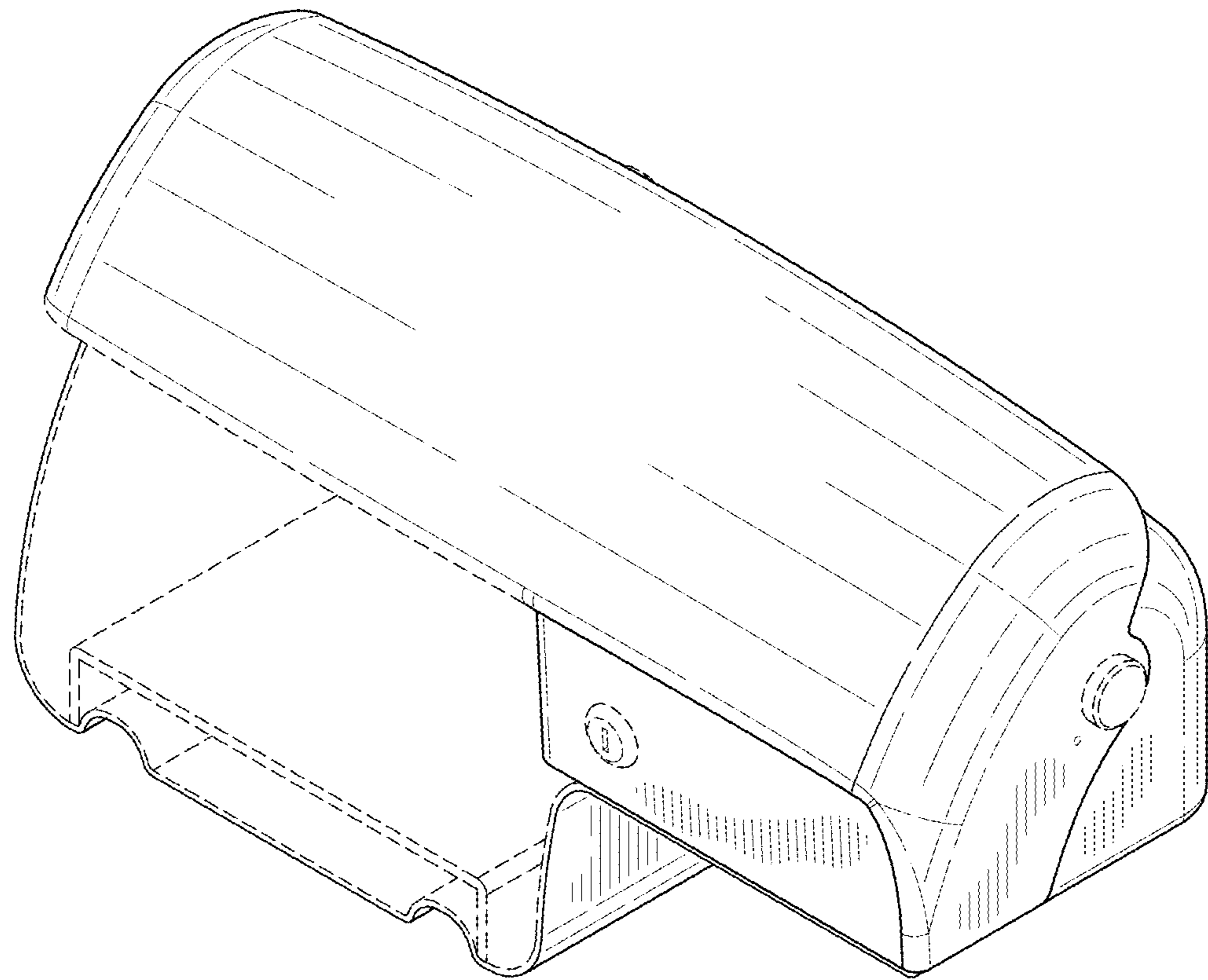


FIG. 2

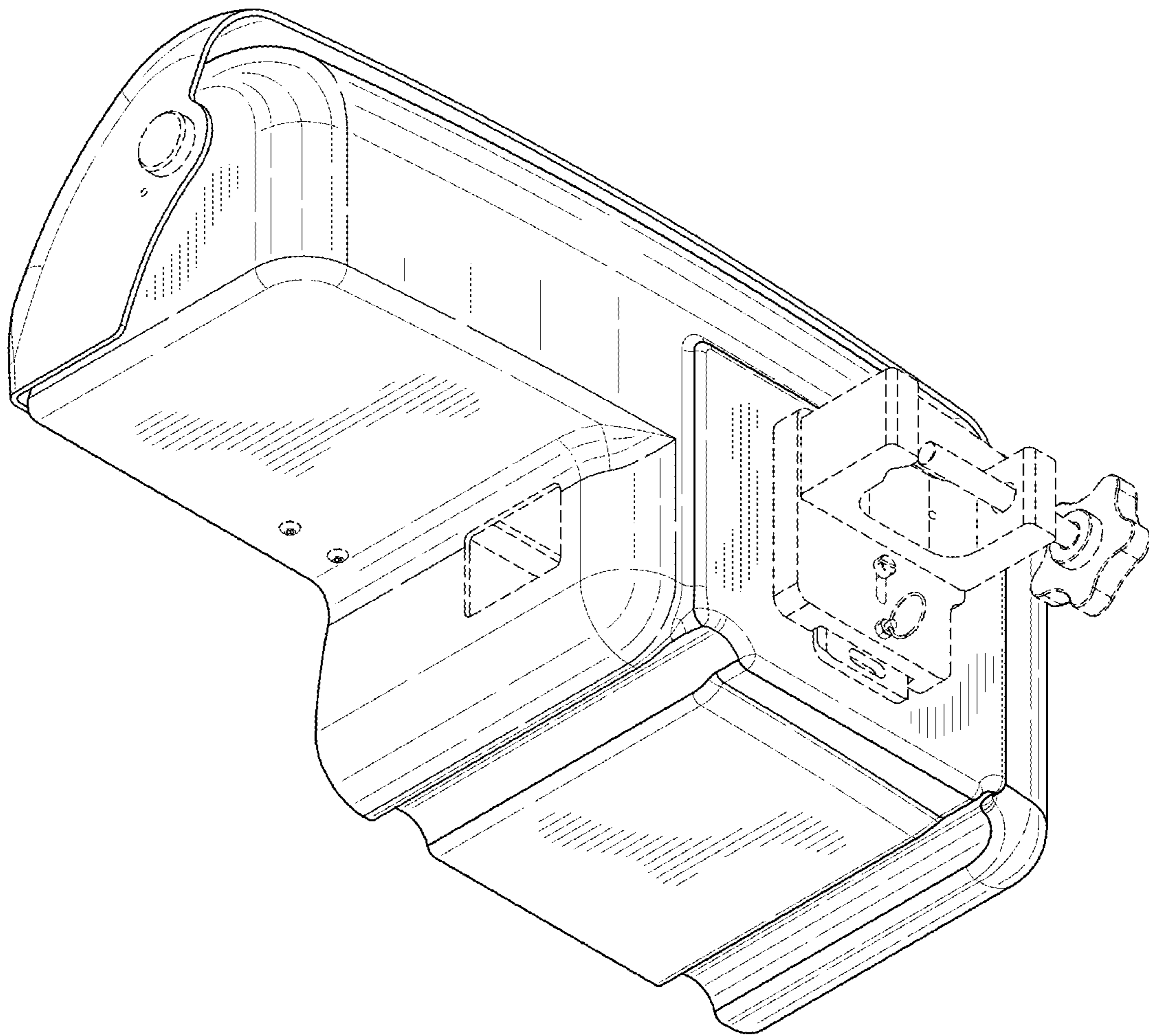


FIG. 3

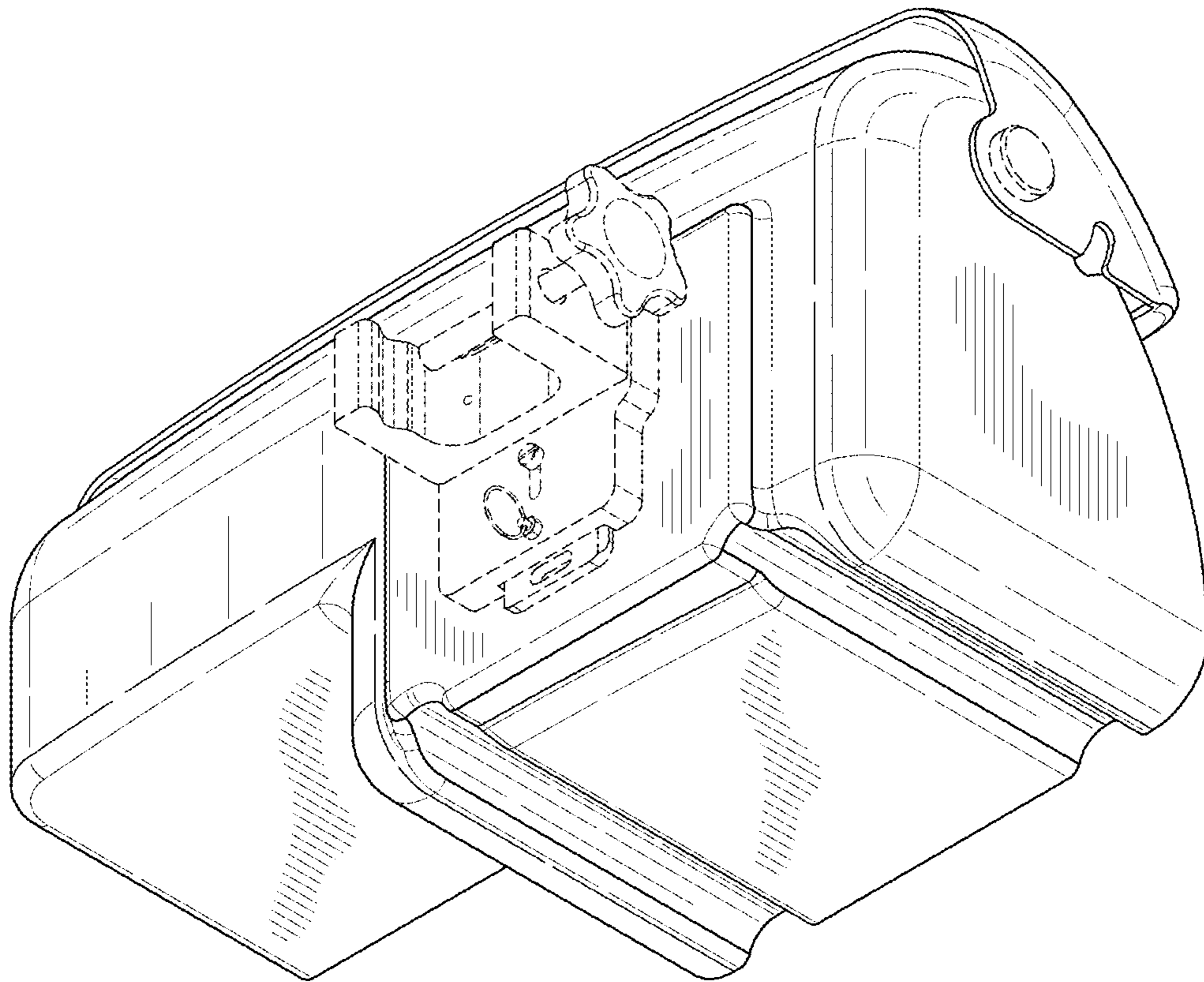
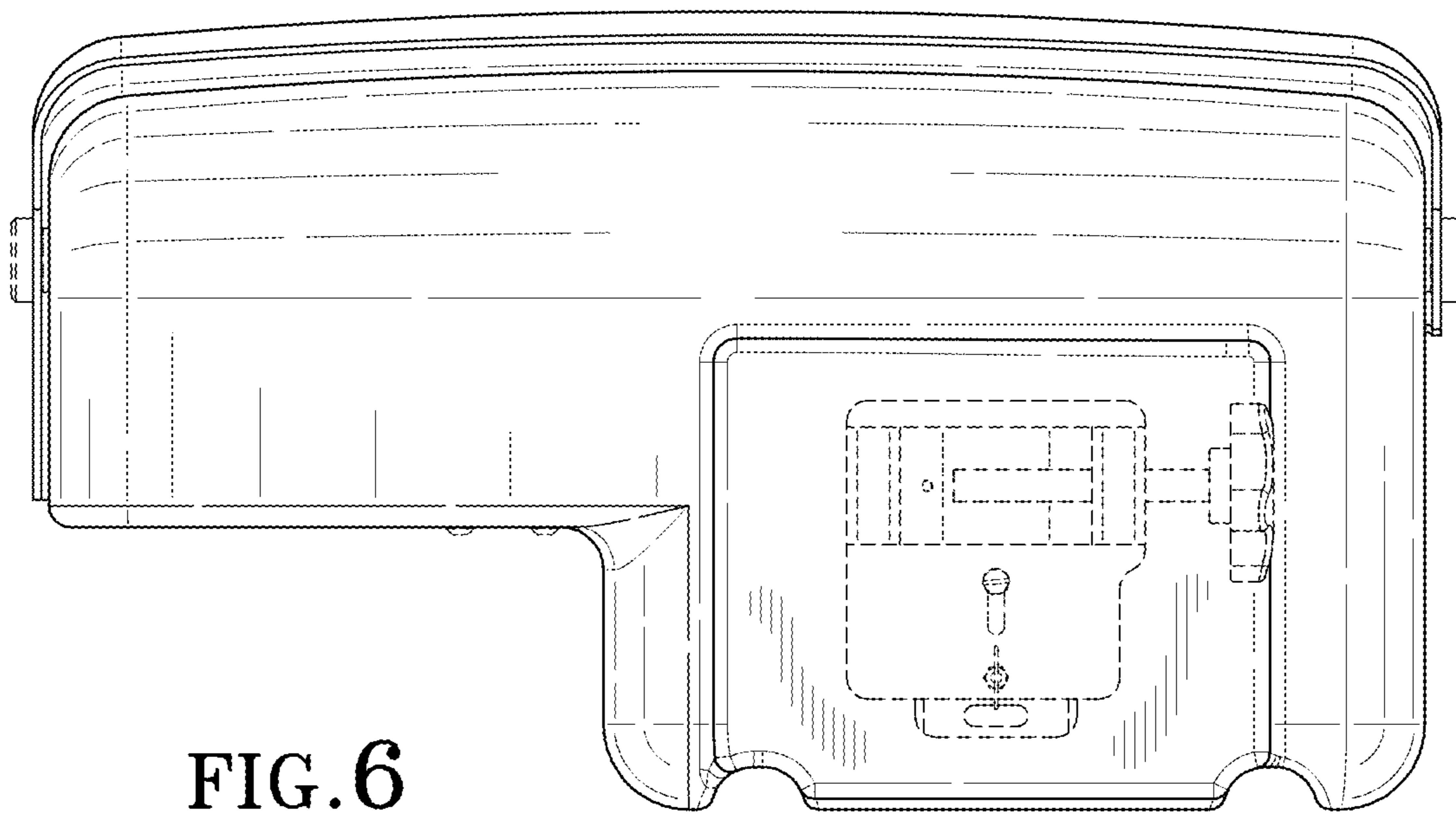
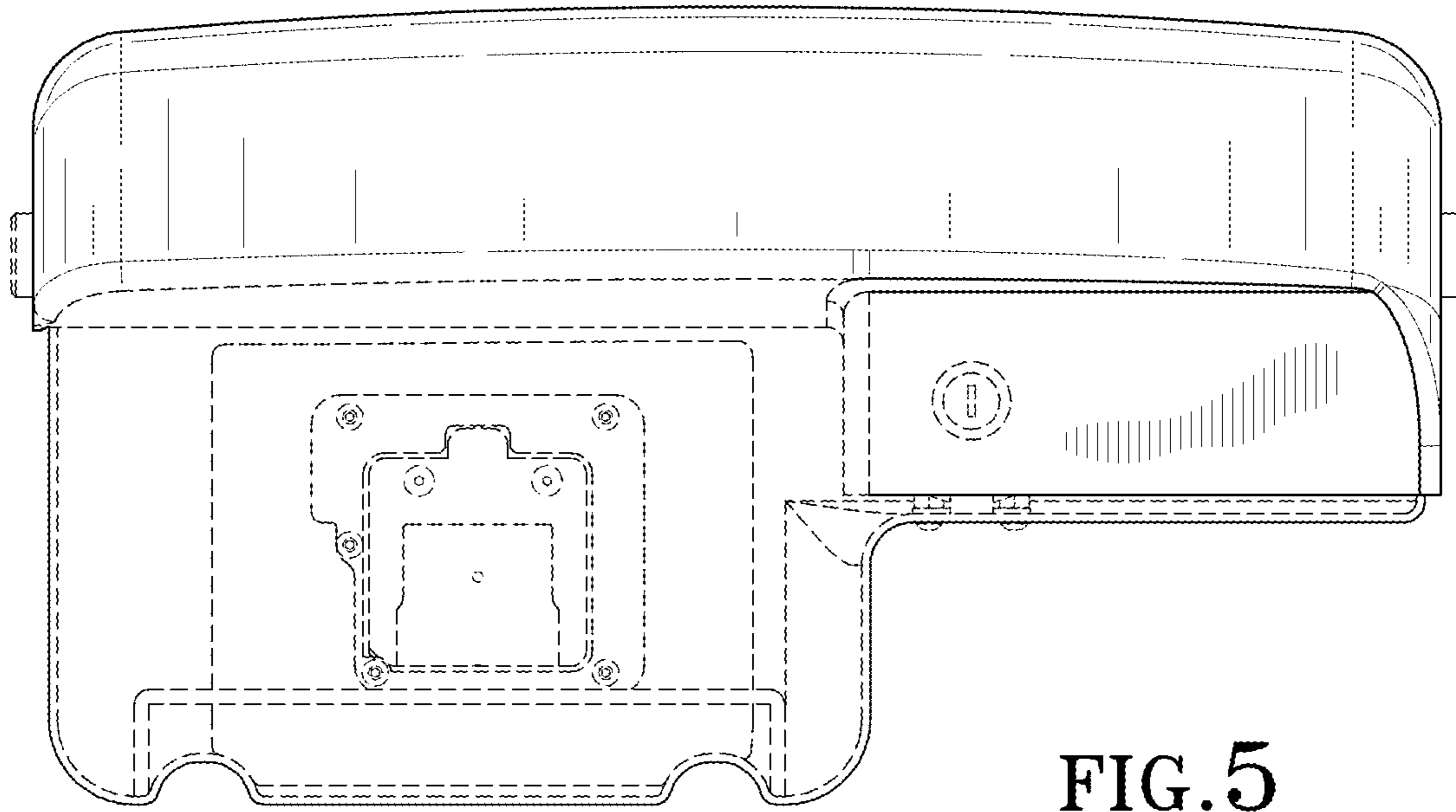


FIG. 4



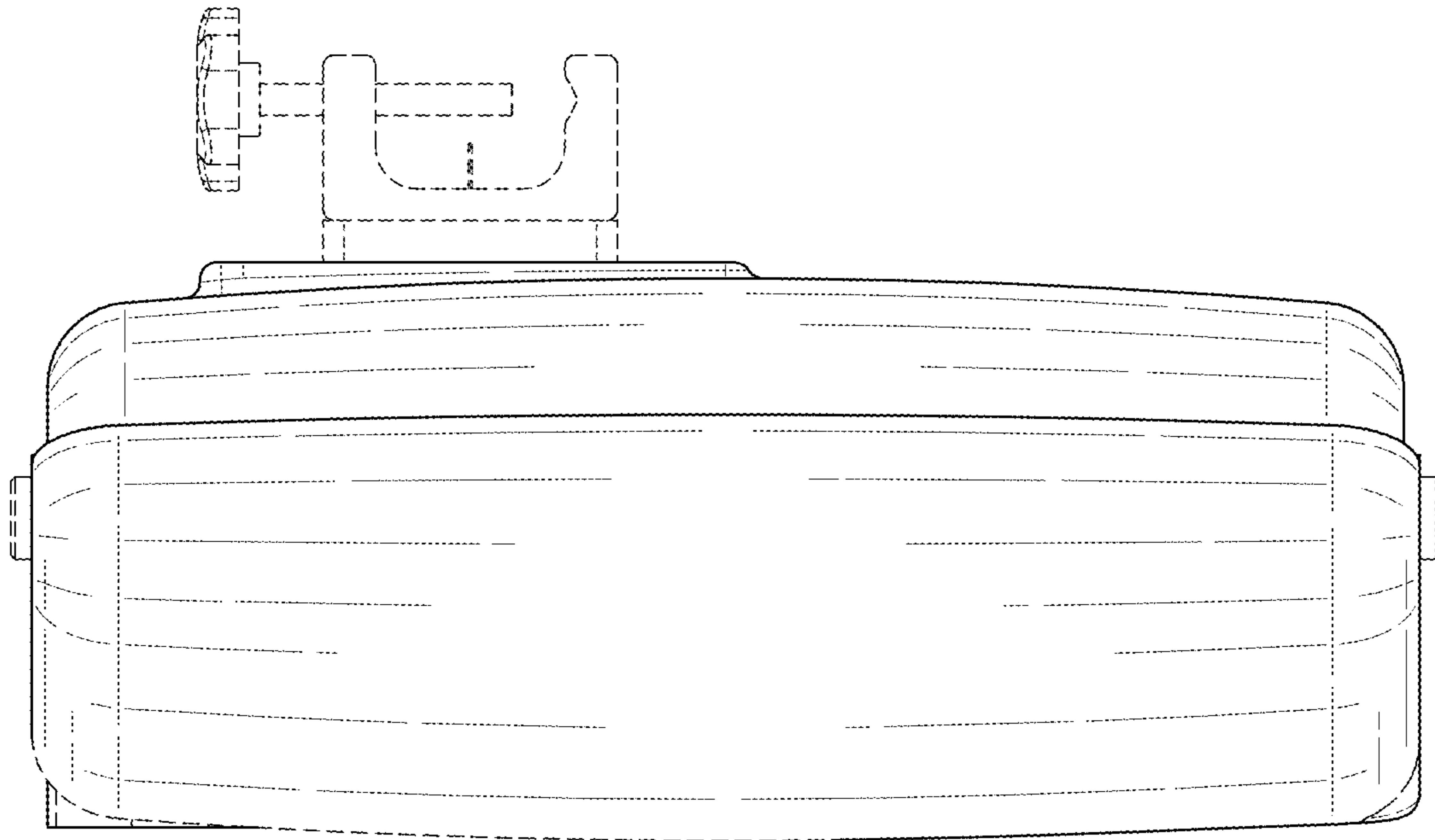


FIG. 7

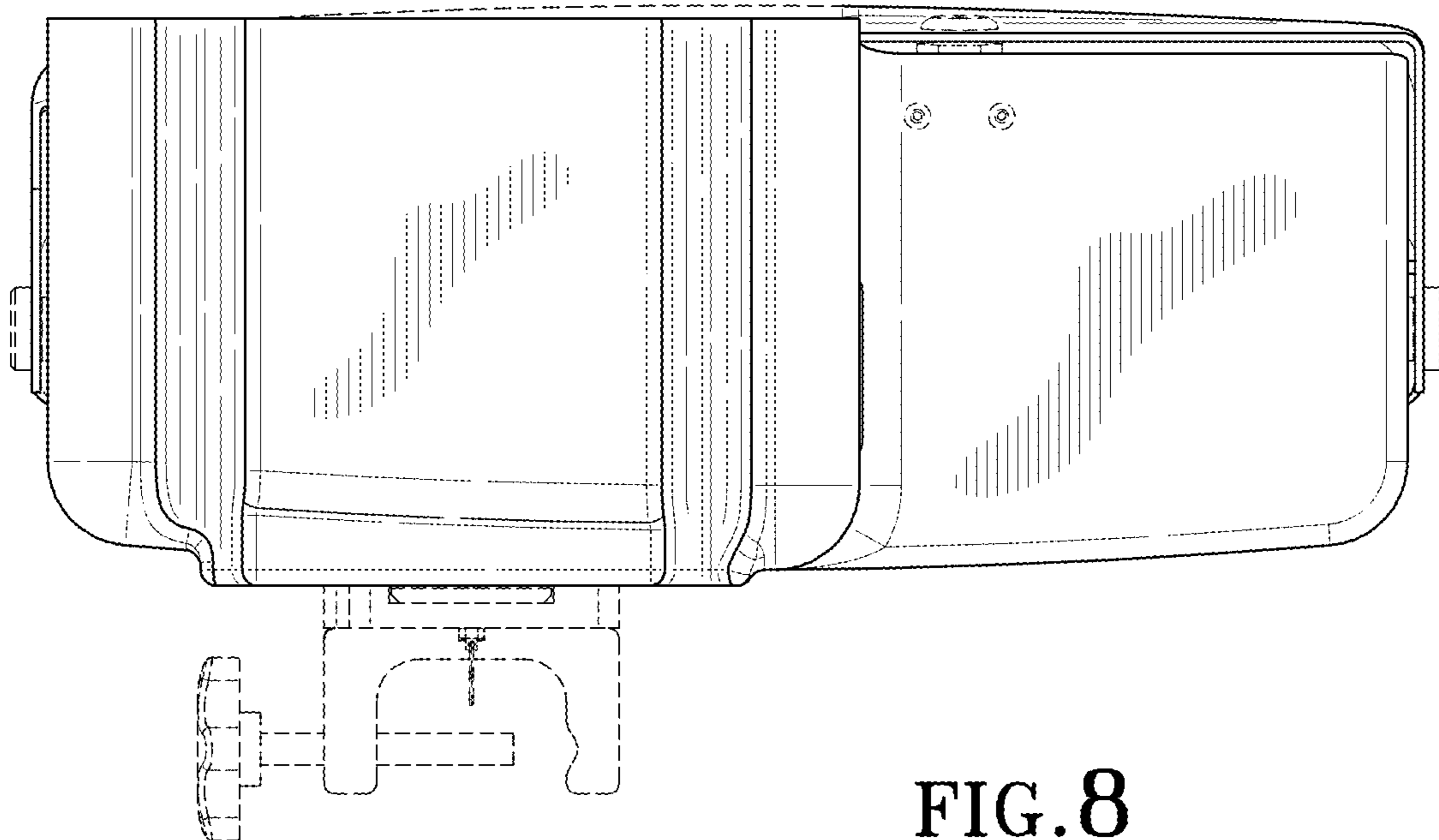


FIG. 8

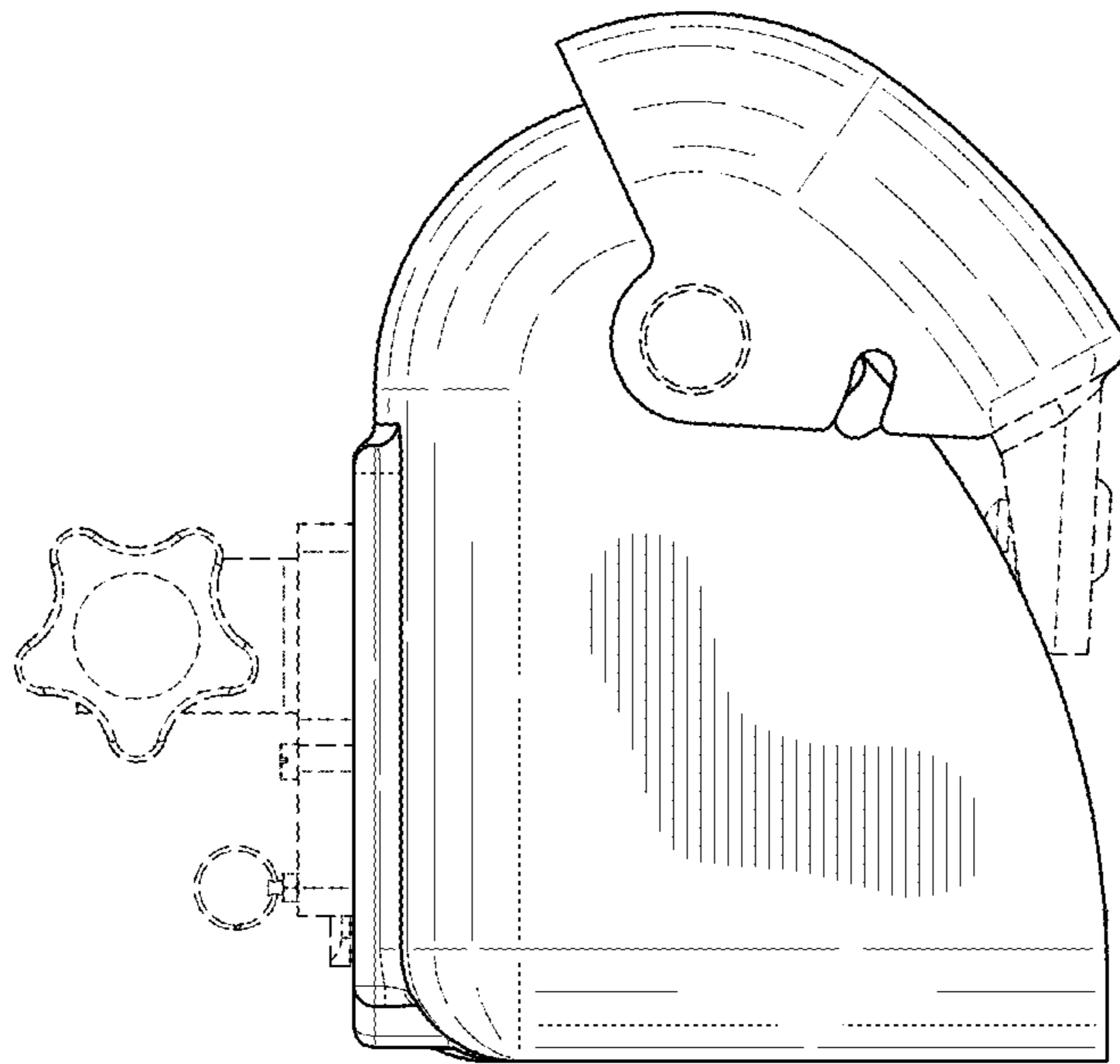


FIG. 9

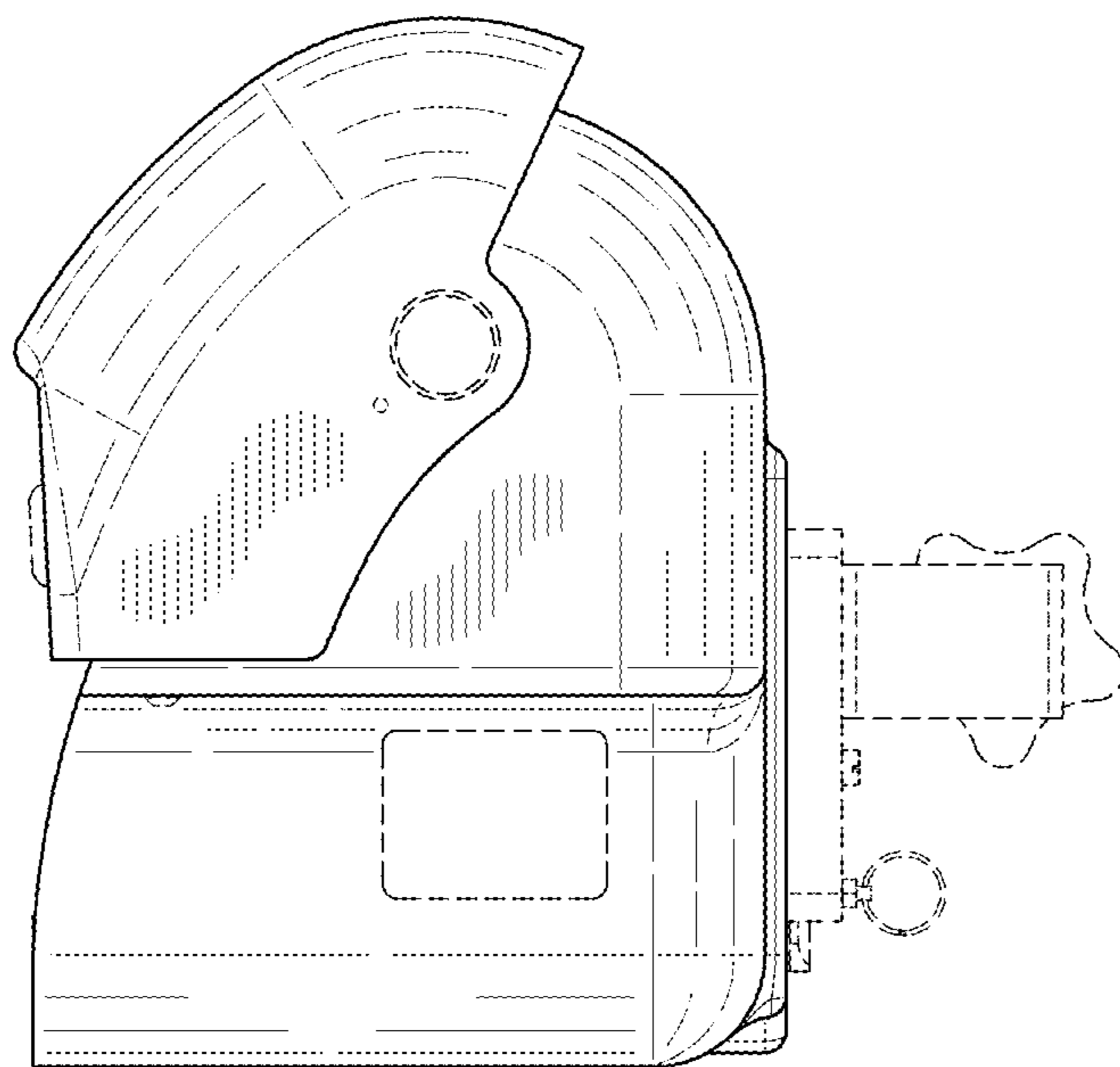


FIG. 10