



US00D885440S

(12) **United States Design Patent**
Chen

(10) **Patent No.:** **US D885,440 S**

(45) **Date of Patent:** **** May 26, 2020**

- (54) **MANUAL FLUID EXTRACTOR**
- (71) Applicant: **JIASHAN JINZHAN TOOL CO., LTD., Zhejiang (CN)**
- (72) Inventor: **Jinquan Chen, Zhejiang (CN)**
- (73) Assignee: **JIASHAN JINZHAN TOOL CO., LTD., Zhejiang (CN)**
- (**) Term: **15 Years**
- (21) Appl. No.: **29/666,776**
- (22) Filed: **Oct. 16, 2018**
- (51) **LOC (12) Cl.** **15-02**
- (52) **U.S. Cl.**
USPC **D15/7**
- (58) **Field of Classification Search**
USPC D15/7-9; D23/231, 232, 225
CPC F04B 9/14; F04B 33/00; F04B 33/005;
F04B 33/02; F04F 1/02; F04F 1/06;
B67D 7/0205; B67D 7/60
See application file for complete search history.

7,367,366 B2 *	5/2008	Liao	F04B 33/00
				141/26
D654,522 S *	2/2012	Zhang	D15/152
8,360,741 B2 *	1/2013	Chuang	F04B 9/14
				417/185
9,046,113 B2 *	6/2015	Chuang	F04F 5/14
9,222,471 B2 *	12/2015	Liao	F04B 39/14
2006/0027608 A1 *	2/2006	Chen	F04B 33/00
				222/401
2012/0107146 A1 *	5/2012	Hsu	F04B 9/14
				417/305
2012/0107161 A1 *	5/2012	Sun	F04B 9/14
				417/482
2012/0275944 A1 *	11/2012	Chuang	F04B 9/14
				417/442

* cited by examiner

Primary Examiner — Mitchell I. Siegel
(74) *Attorney, Agent, or Firm* — Muncy, Geissler, Olds & Lowe, P.C.

(57) **CLAIM**

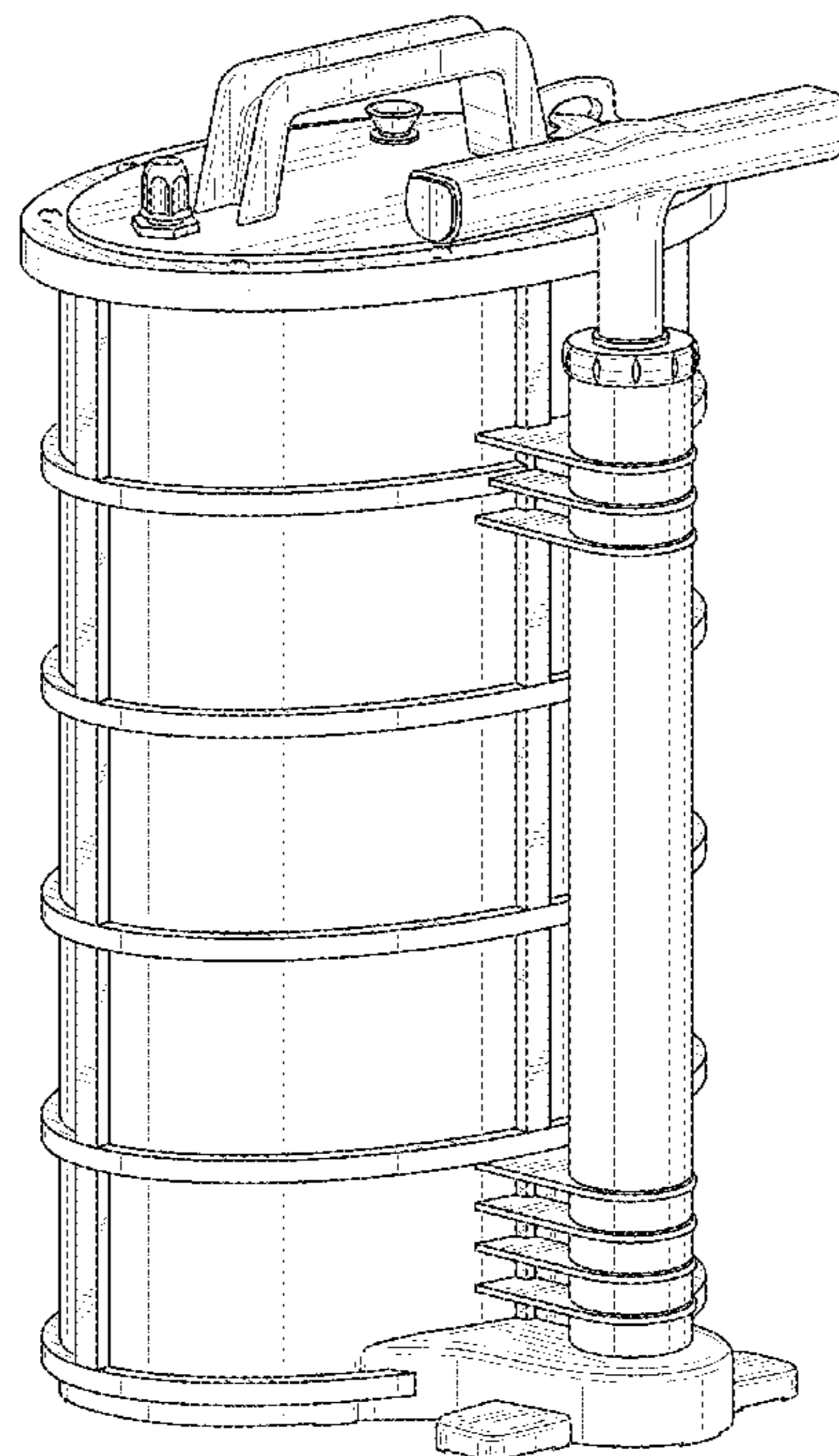
The ornamental design for a manual fluid extractor, as shown and described.

DESCRIPTION

FIG. 1 is a perspective view of a manual fluid extractor showing my/our new design;
FIG. 2 is a front elevational view thereof;
FIG. 3 is a rear elevational view thereof;
FIG. 4 is a left side view thereof;
FIG. 5 is a right side view thereof;
FIG. 6 is a top plan view thereof; and,
FIG. 7 is a bottom plan view thereof.
The broken lines illustrate portions of the manual fluid extractor that form no part of the claimed design.

1 Claim, 7 Drawing Sheets

- (56) **References Cited**
U.S. PATENT DOCUMENTS
D224,043 S * 6/1972 Billos D15/152
5,450,924 A * 9/1995 Tseng F01M 11/045
137/202
6,357,492 B1 * 3/2002 Hsu B67D 7/0205
137/565.25
6,722,855 B2 * 4/2004 Tien-Tsai F04B 33/00
137/202
D539,822 S * 4/2007 Tseng D15/150
D541,323 S * 4/2007 Tseng D15/150



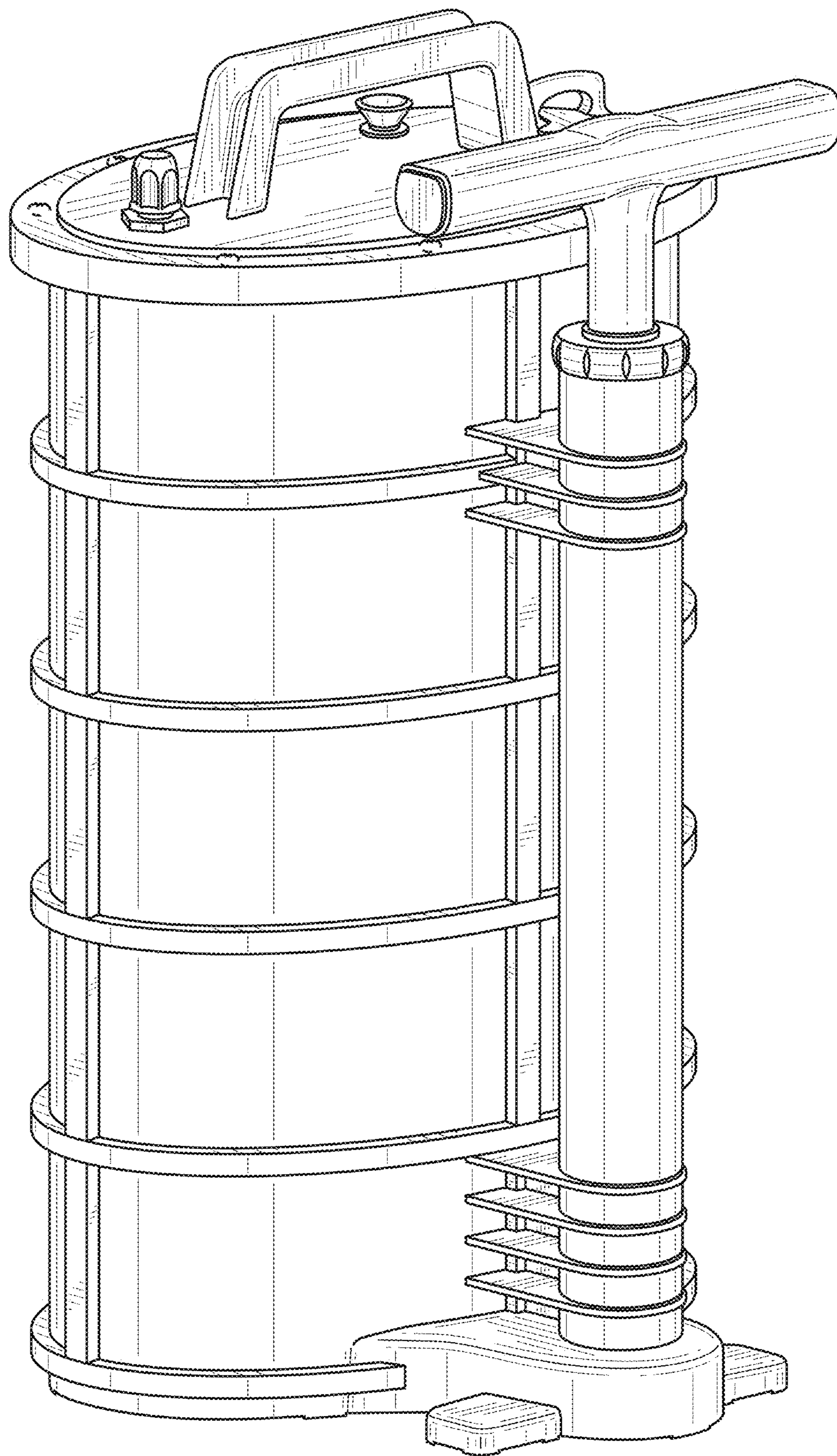


FIG. 1

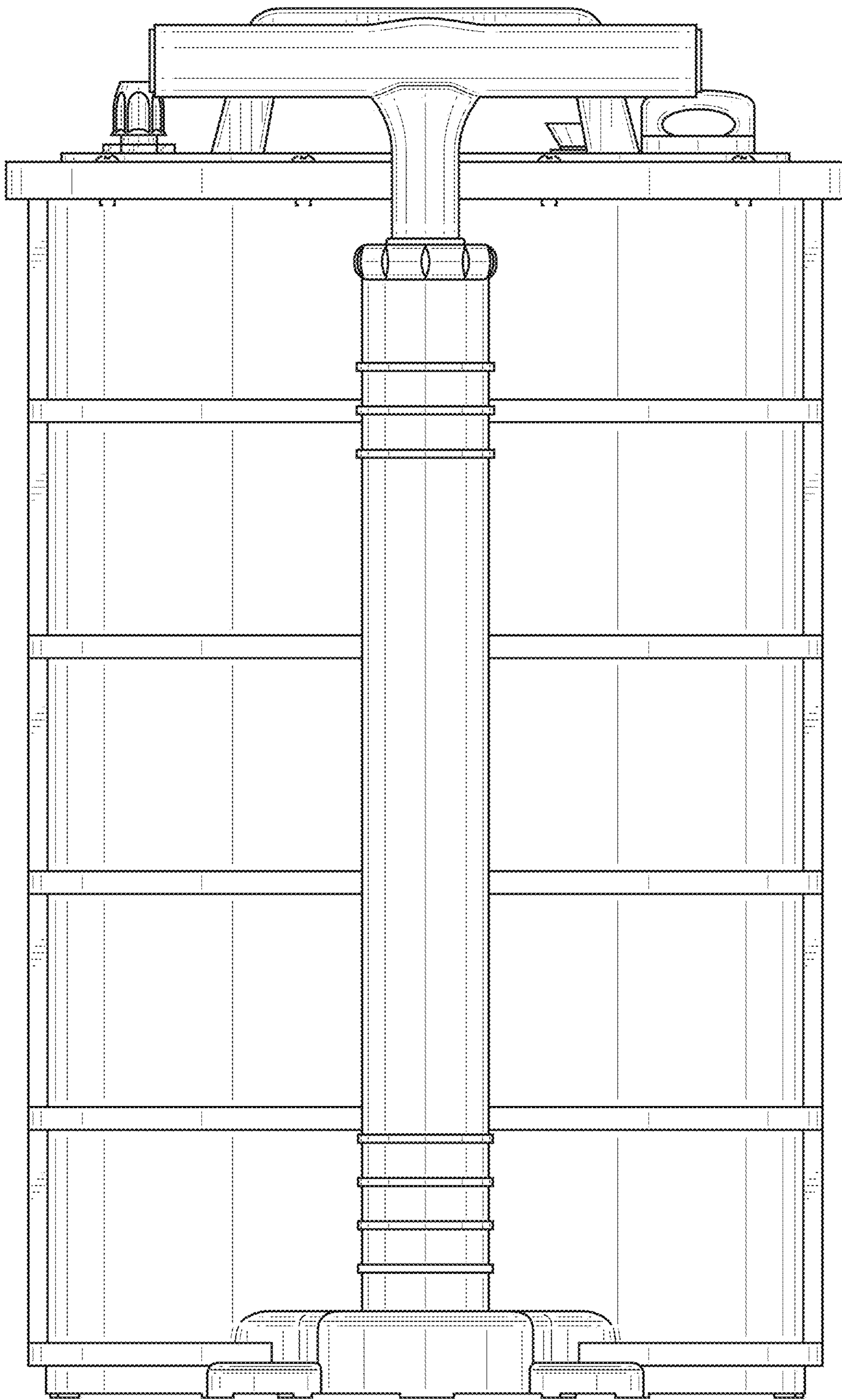


FIG. 2

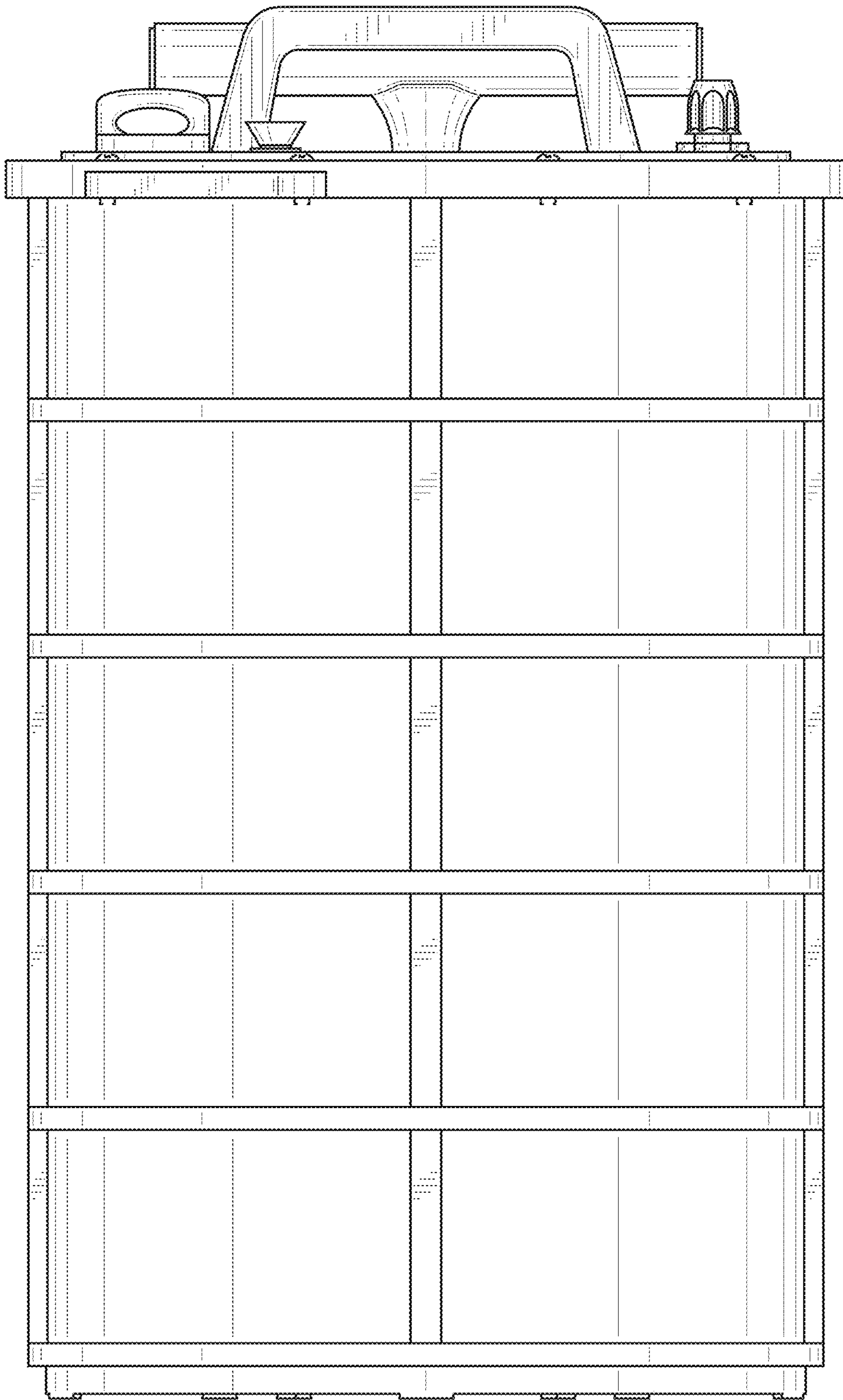


FIG. 3

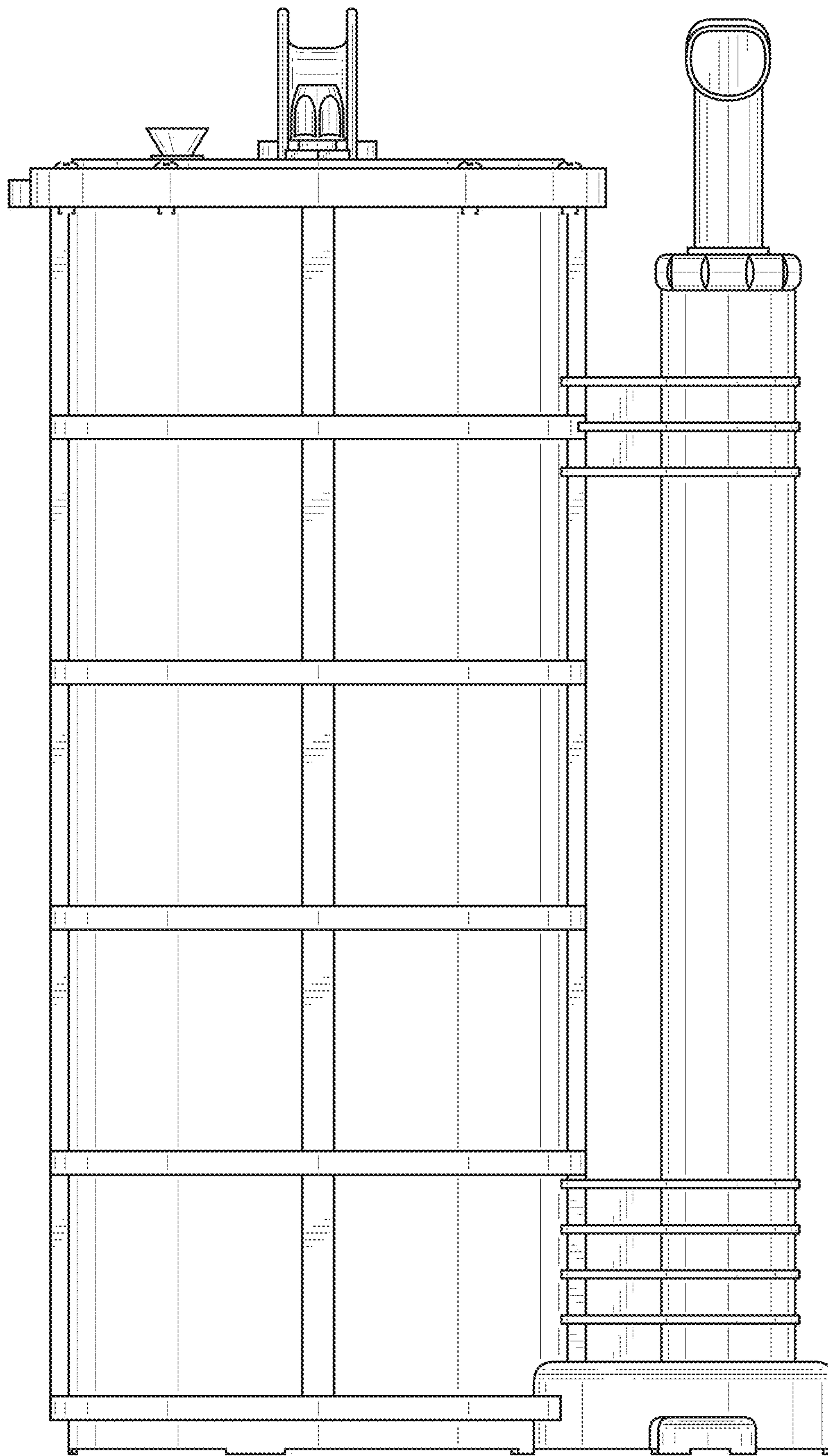


FIG. 4

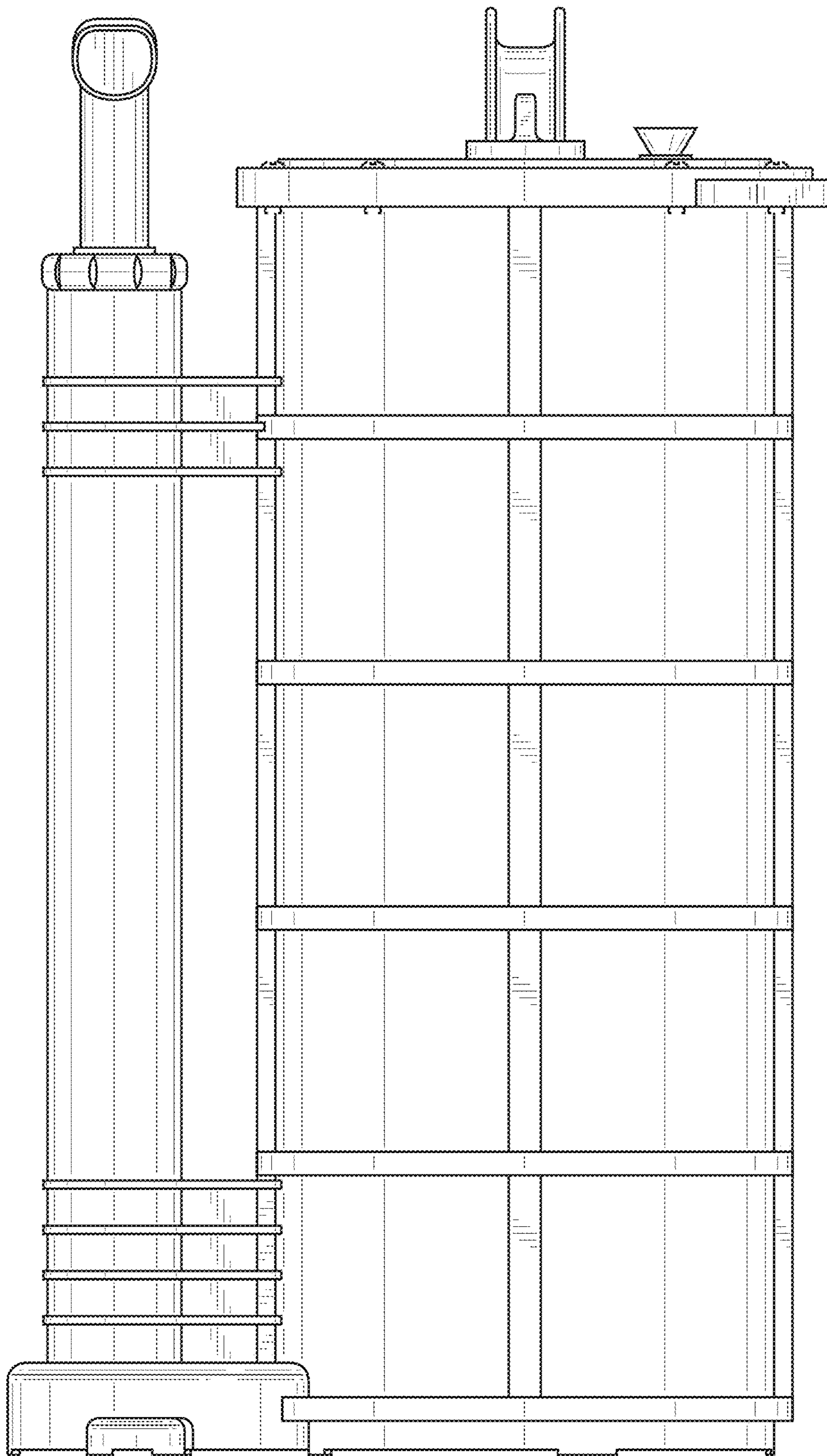


FIG. 5

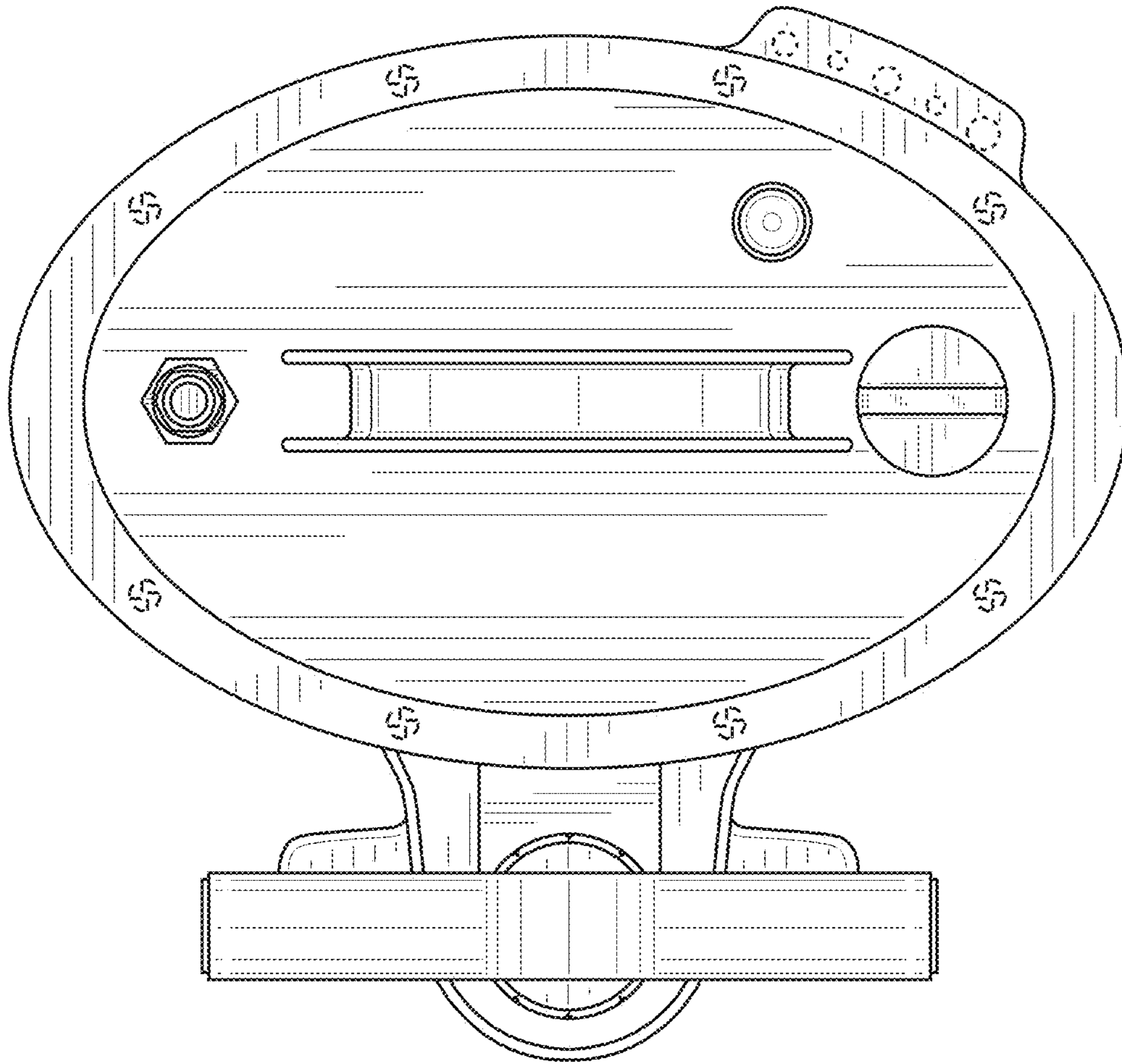


FIG. 6

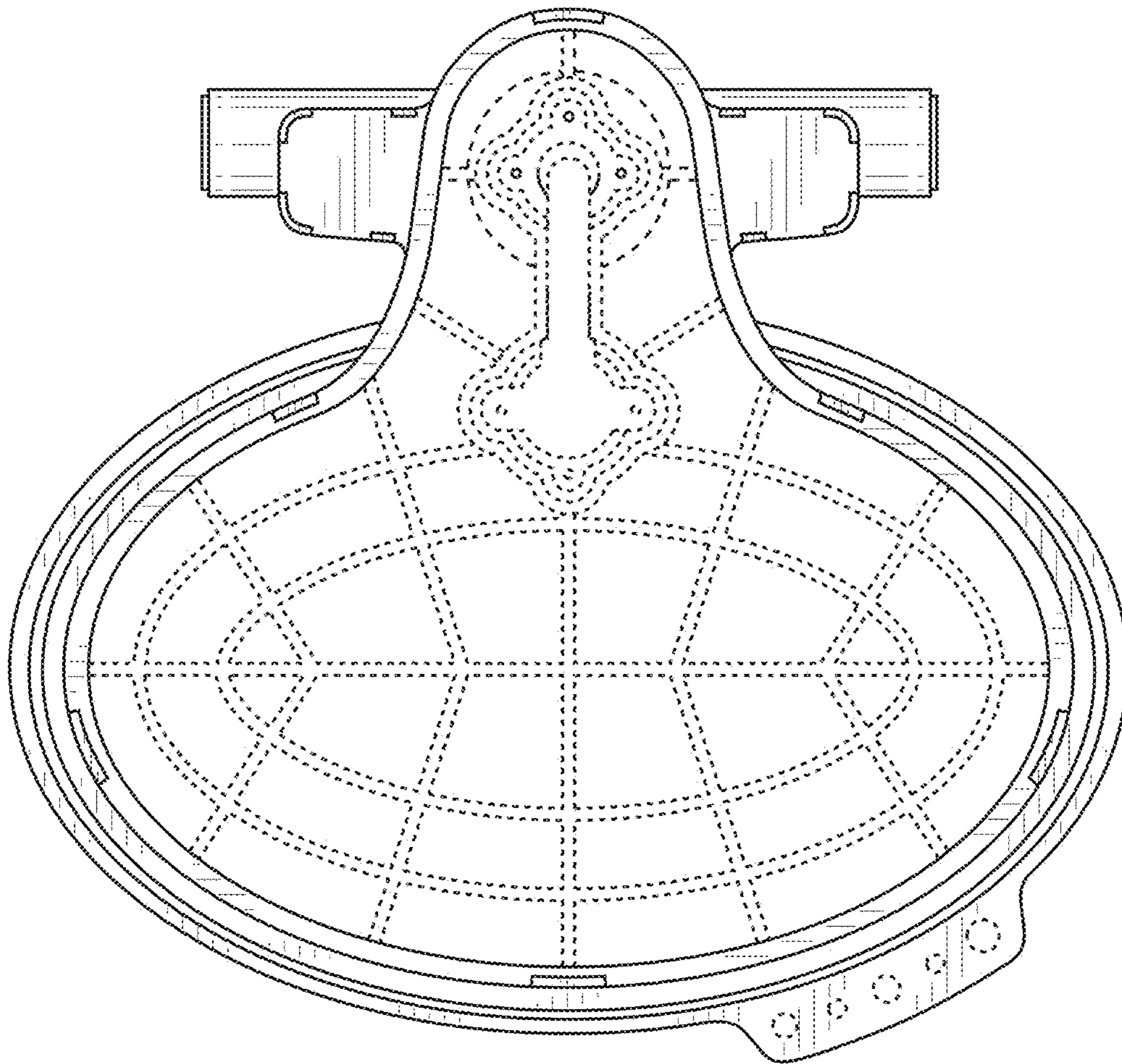


FIG. 7