



US00D885407S

(12) **United States Design Patent**
Zhou

(10) **Patent No.:** **US D885,407 S**

(45) **Date of Patent:** **** May 26, 2020**

- (54) **DATA MEMORY DRIVE**
- (71) Applicant: **Shenzhen Longsys Electronics Co., Ltd.**, Shenzhen (CN)
- (72) Inventor: **Fu Zhou**, Shenzhen (CN)
- (73) Assignee: **SHENZHEN LONGSYS ELECTRONICS CO., LTD.**, Shenzhen (CN)
- (**) Term: **15 Years**
- (21) Appl. No.: **29/715,320**
- (22) Filed: **Dec. 2, 2019**
- (51) **LOC (12) Cl.** **14-03**
- (52) **U.S. Cl.**
USPC **D14/480.7**
- (58) **Field of Classification Search**
USPC D14/480.1–480.7, 435.1, 411, 433, 436,
D14/484.1, 137, 155, 203.1–203.8, 240,
D14/242; D13/133, 154
CPC H05K 5/0278; G06K 19/07732
See application file for complete search history.

- D687,443 S * 8/2013 Chen D14/480.5
- D692,903 S * 11/2013 Lin D14/480.7
- D706,787 S * 6/2014 Emami D14/480.7
- D754,142 S * 4/2016 Shih-Huang D14/480.7
- D757,734 S * 5/2016 Emami D14/480.7
- D759,027 S * 6/2016 Magi D14/480.1
- D774,038 S * 12/2016 Emami D14/480.1
- D804,491 S * 12/2017 Lin D14/480.3

* cited by examiner

Primary Examiner — Angela J Lee

(57) **CLAIM**

The ornamental design for a data memory drive, as shown and described.

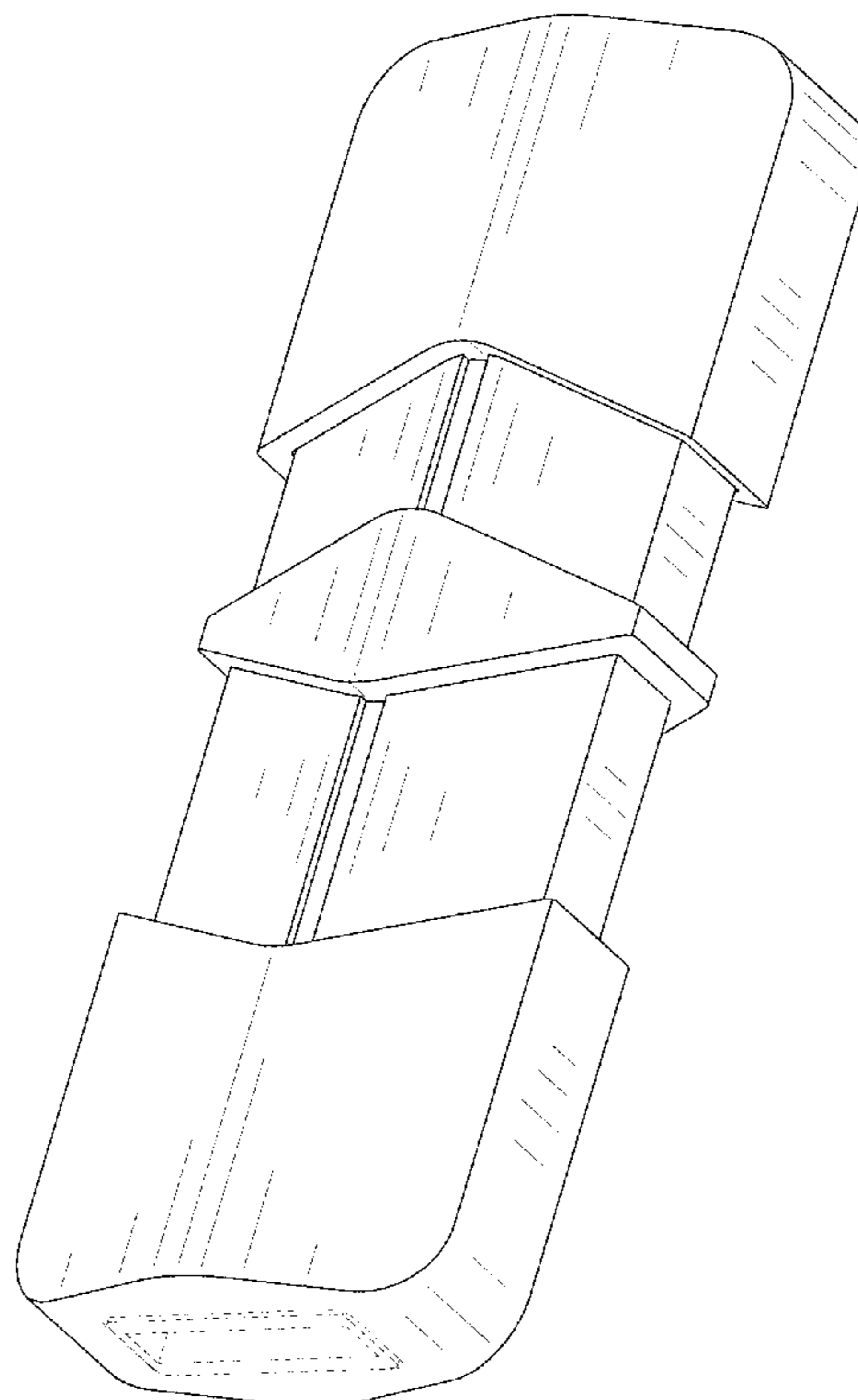
DESCRIPTION

FIG. 1 is a perspective view of the data memory drive according to an embodiment of the design;
 FIG. 2 is a front elevational view thereof;
 FIG. 3 is a rear elevational view thereof;
 FIG. 4 is a left side elevational view thereof;
 FIG. 5 is a right side elevational view thereof;
 FIG. 6 is a top plan view thereof;
 FIG. 7 is a bottom plan view thereof;
 FIG. 8 is a perspective view of a data memory drive shown in an in use alternate position thereof;
 FIG. 9 is a front elevational view thereof; and,
 FIG. 10 is a right side elevational view thereof.
 The broken lines in the drawings depict portions of the data memory drive that form no part of the claimed design.
 The shade lines in the figures show contour and not surface ornamentation.

(56) **References Cited**
 U.S. PATENT DOCUMENTS

- D547,311 S * 7/2007 Chen D14/480.7
- D601,142 S * 9/2009 Lindley D14/240
- D620,017 S * 7/2010 Lo D14/480.7
- D660,859 S * 5/2012 Lin D14/480.7
- D673,576 S * 1/2013 Lin D14/480.7

1 Claim, 10 Drawing Sheets



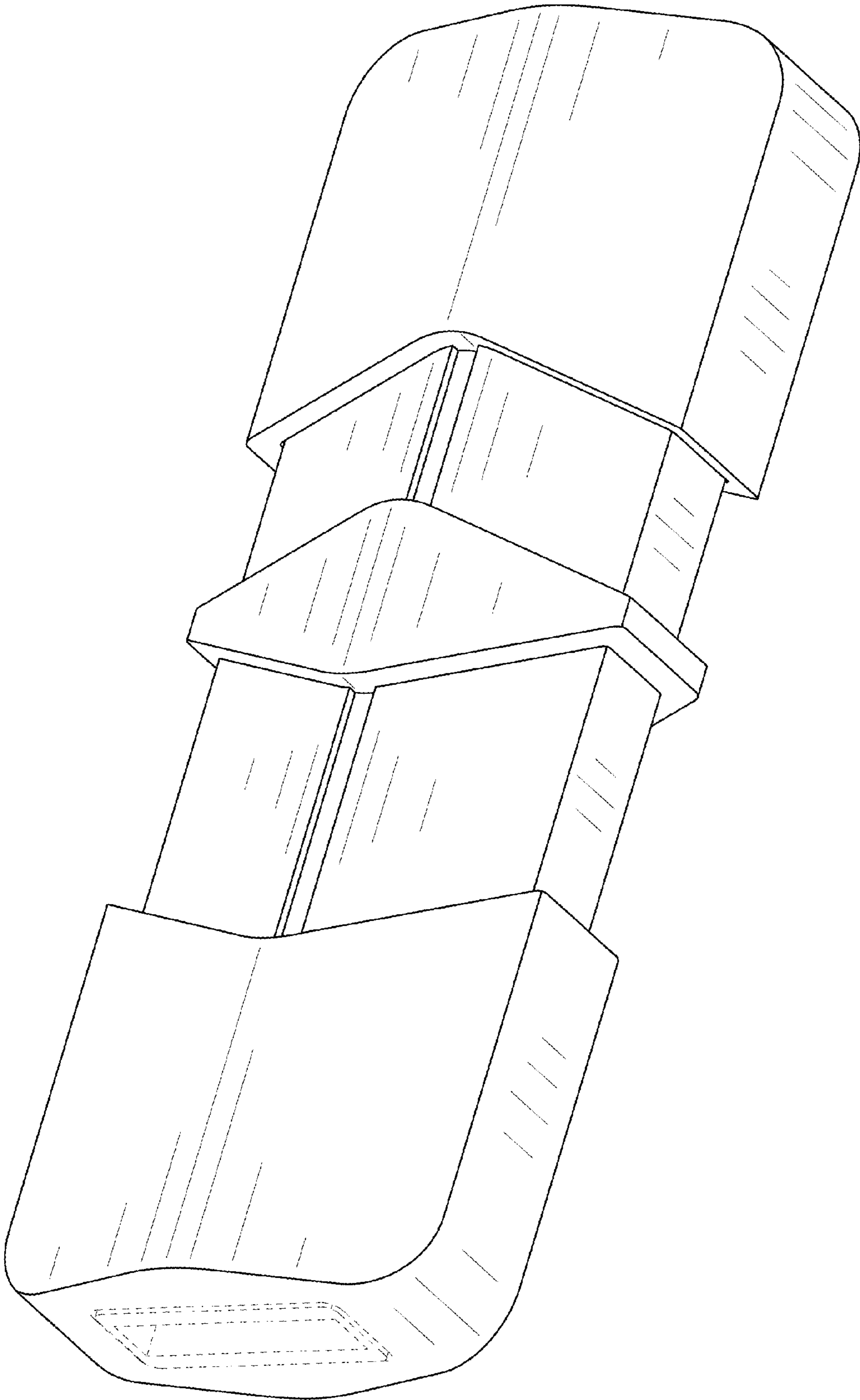


FIG. 1

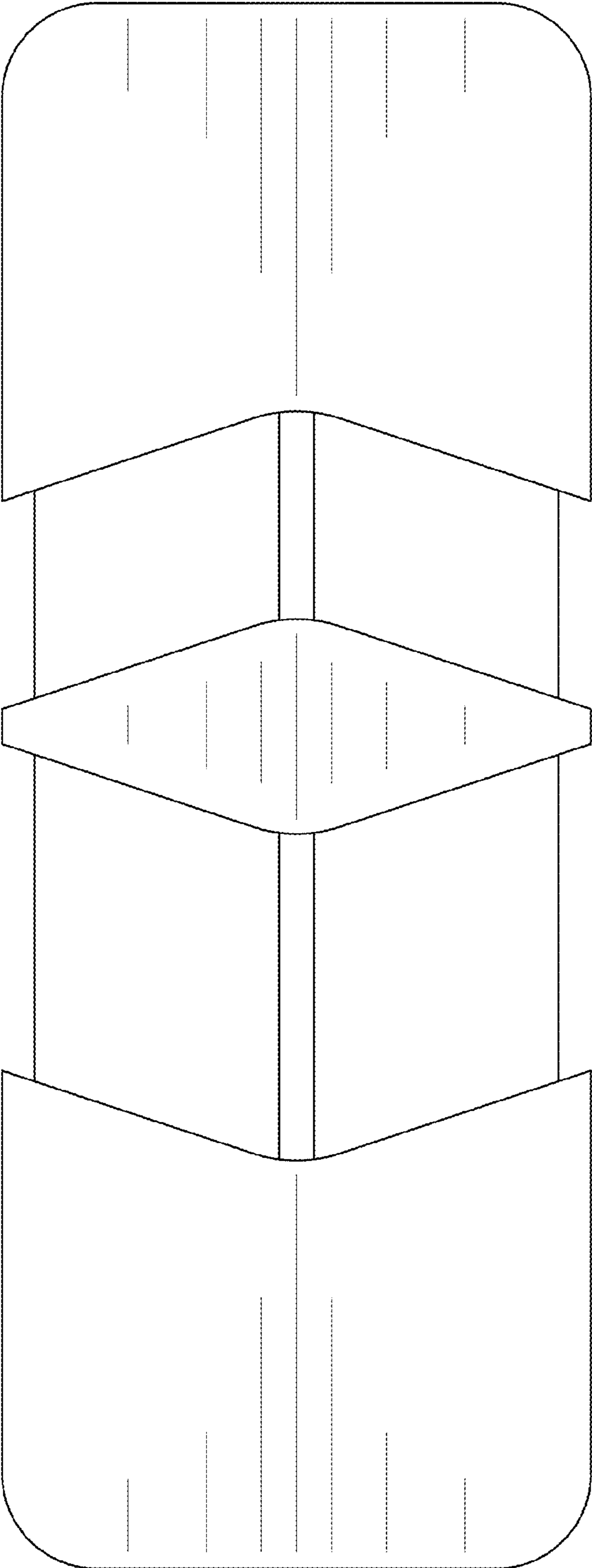


FIG. 2

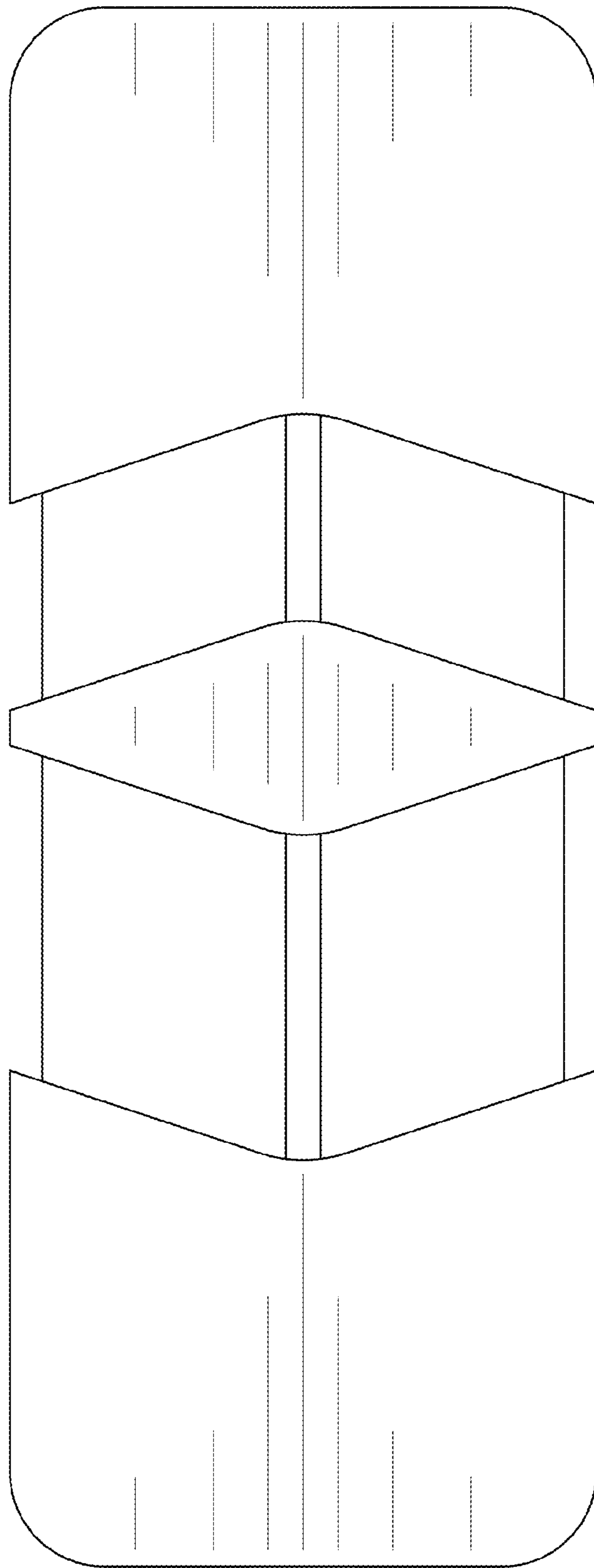


FIG. 3

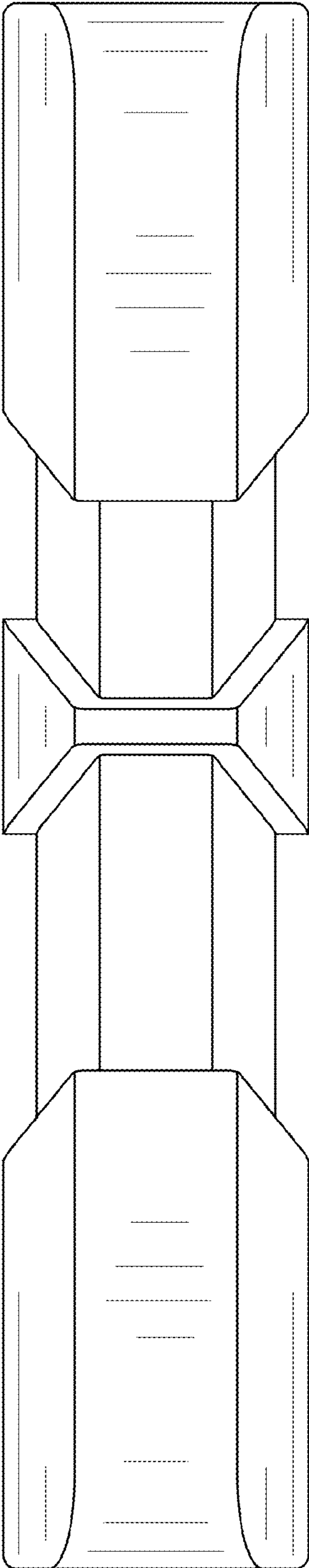


FIG. 4

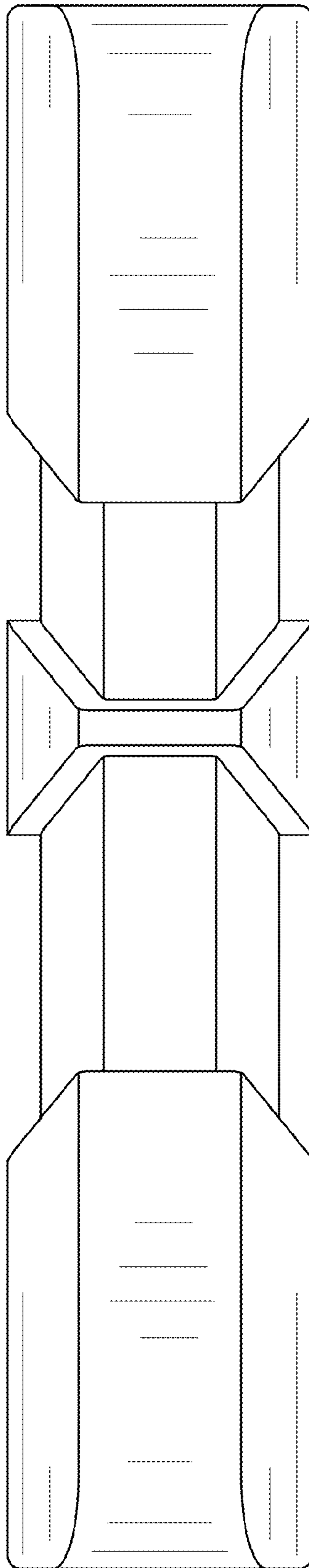


FIG. 5

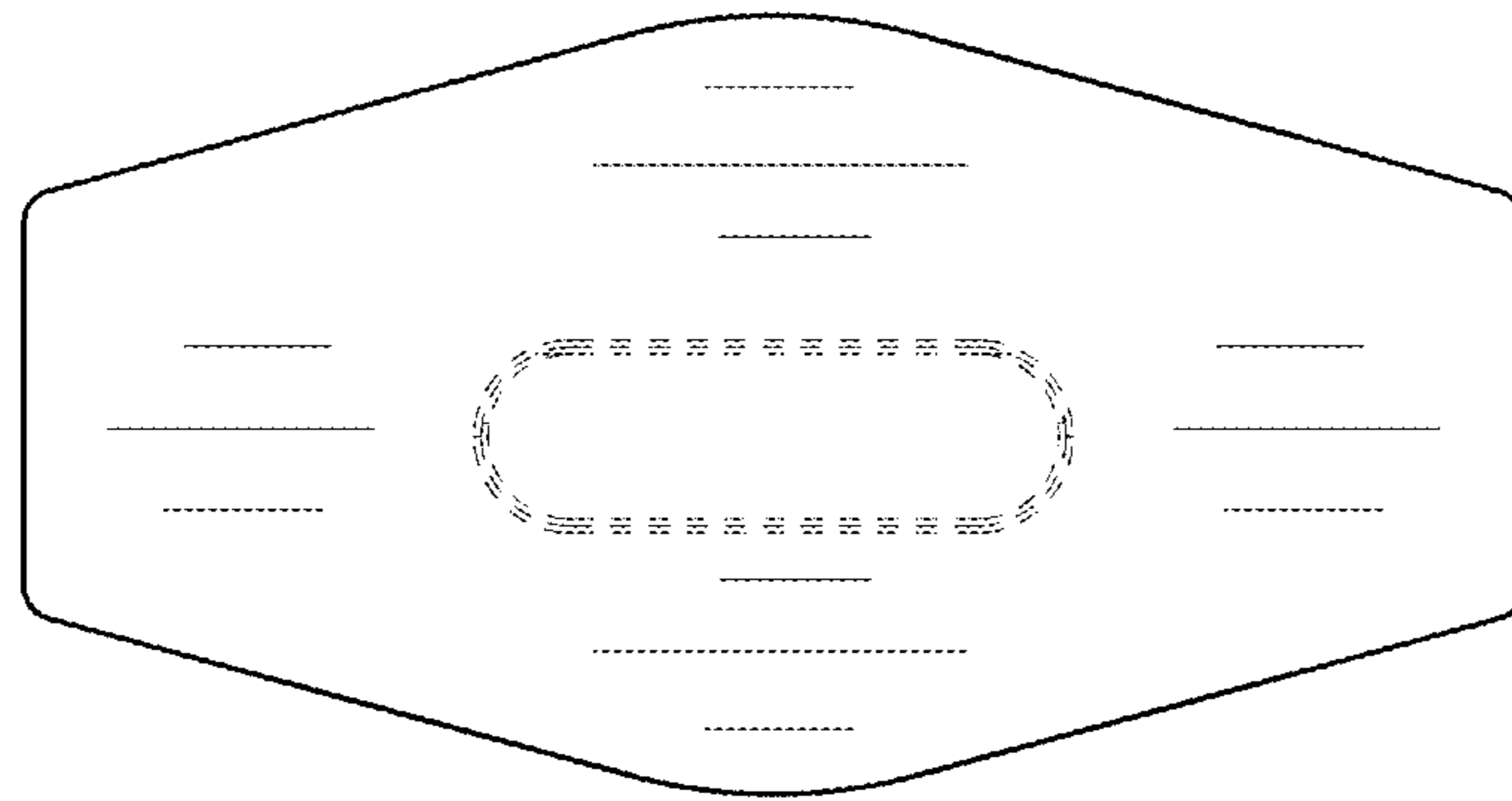


FIG. 6

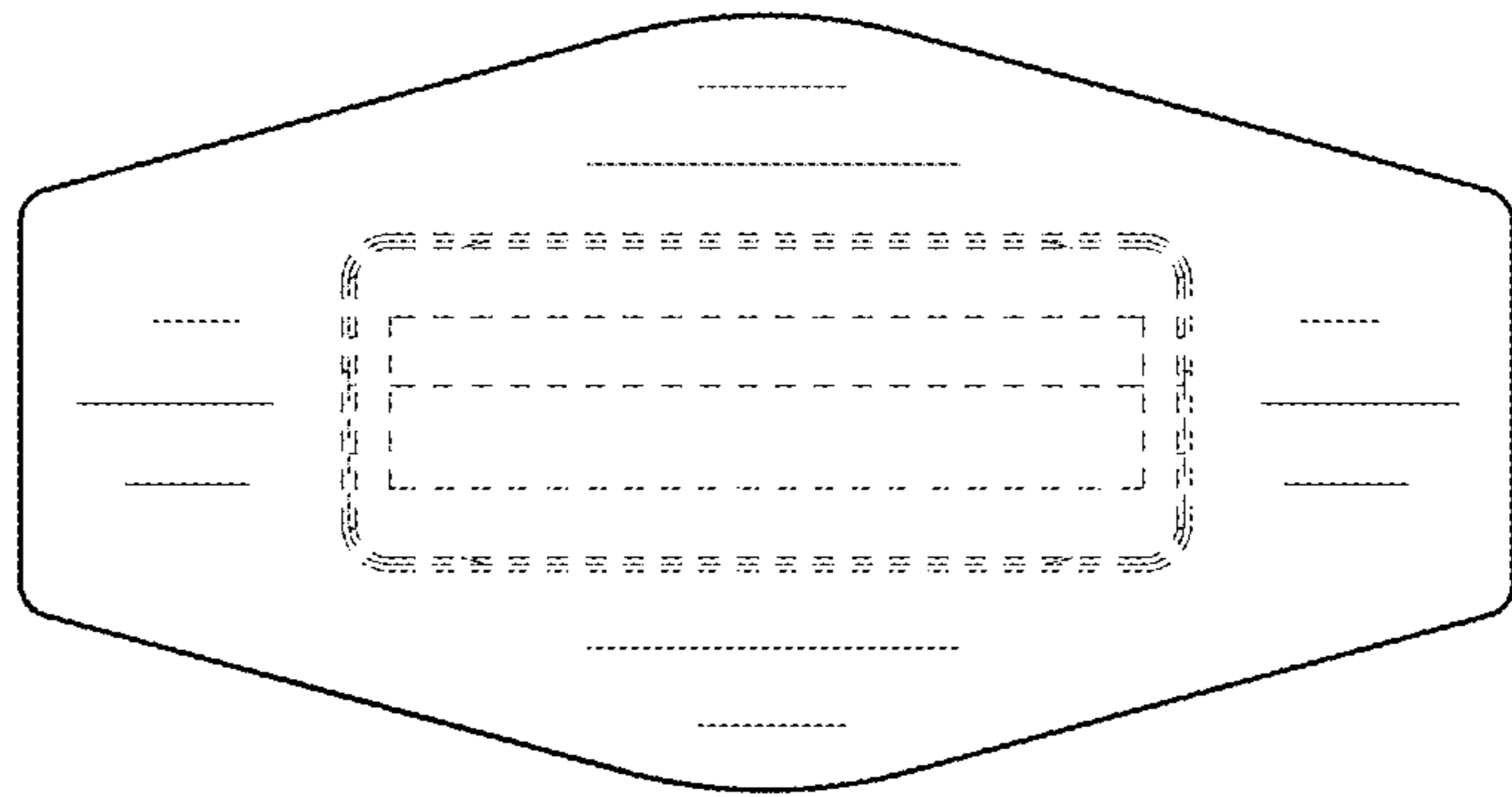


FIG. 7

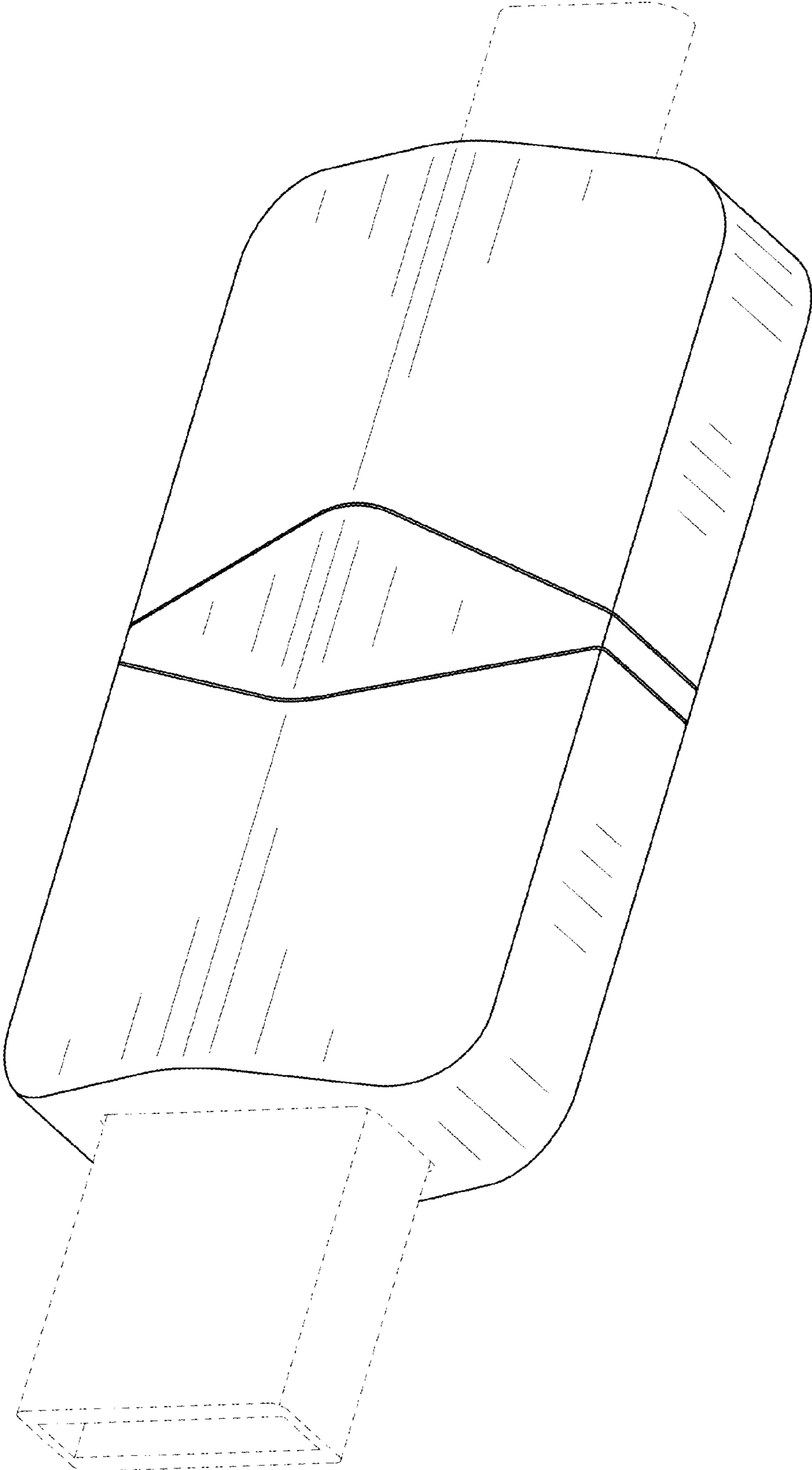


FIG. 8

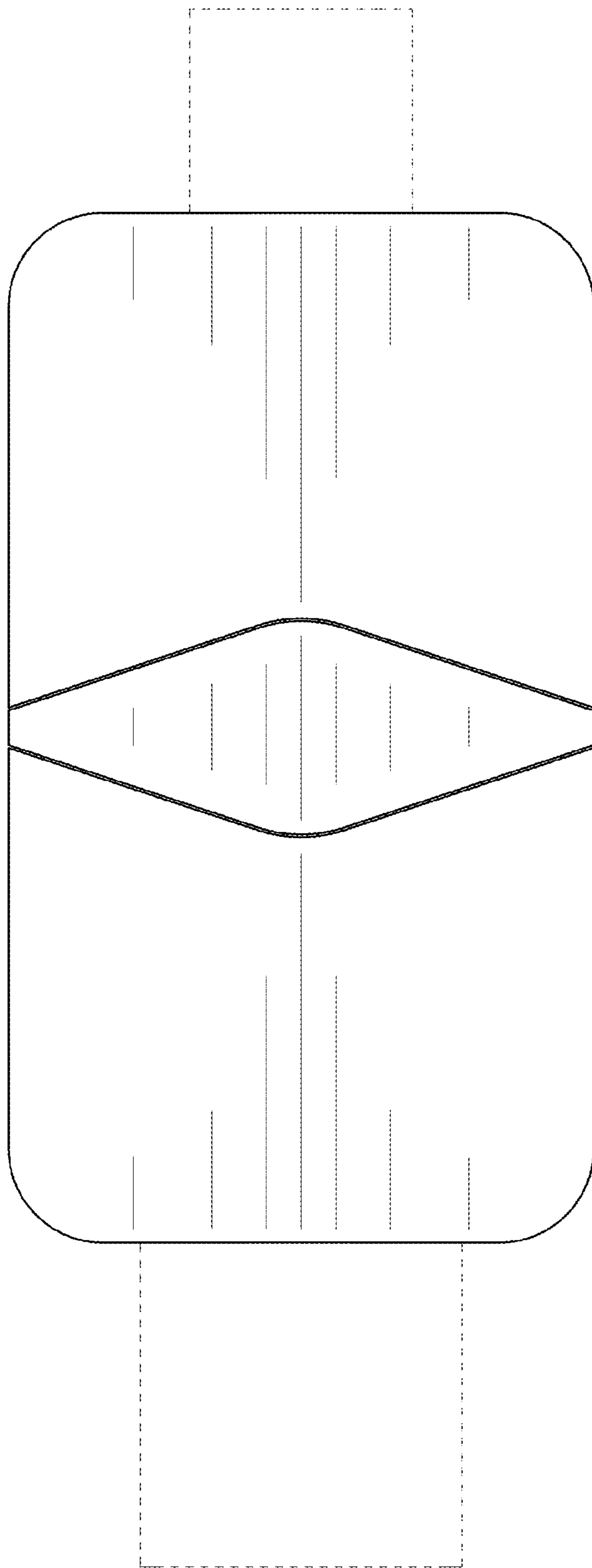


FIG. 9

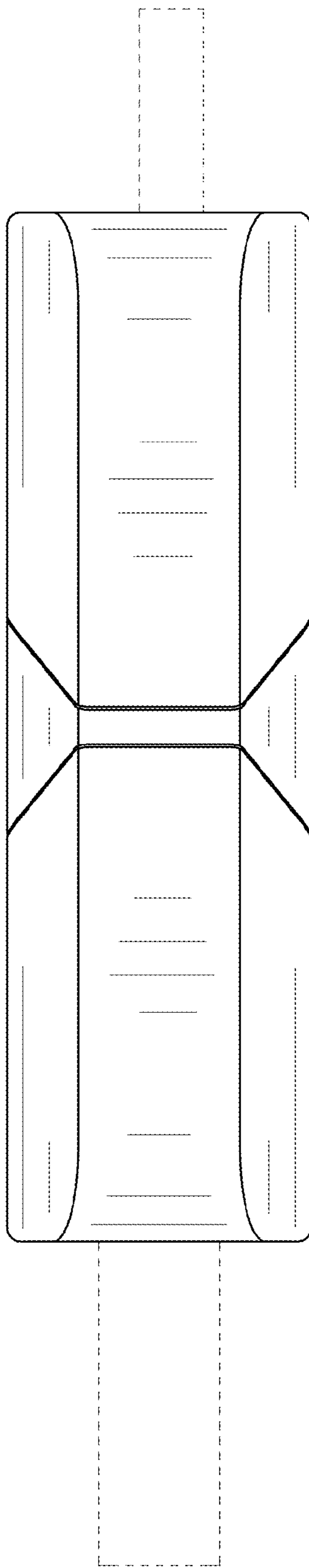


FIG. 10