



US00D885406S

(12) **United States Design Patent** (10) **Patent No.:** **US D885,406 S**  
**Wang** (45) **Date of Patent:** **\*\* May 26, 2020**

(54) **USB FLASH DISK**  
(71) Applicant: **Shenzhen Longsys Electronics Co., Ltd., Shenzhen (CN)**  
(72) Inventor: **Hong-Yu Wang, Shenzhen (CN)**  
(73) Assignee: **Shenzhen Longsys Electronics Co., Ltd., Shenzhen (CN)**

D668,664 S \* 10/2012 Zhou ..... D14/480.6  
D685,807 S \* 7/2013 Billington ..... D14/480.5  
D705,235 S \* 5/2014 Slemp ..... D14/480.6  
D711,390 S \* 8/2014 Sun ..... D14/480.6  
D749,600 S \* 2/2016 Emami ..... D14/480.6  
D754,141 S \* 4/2016 Billington ..... D14/480.6  
D803,843 S \* 11/2017 Chang ..... D14/480.6  
D806,715 S \* 1/2018 Chen ..... D14/480.6

(\*\*) Term: **15 Years**  
(21) Appl. No.: **29/671,646**  
(22) Filed: **Nov. 28, 2018**

**FOREIGN PATENT DOCUMENTS**

KR 30-0806193 7/2015  
TW D134158 S1 4/2010

\* cited by examiner

*Primary Examiner* — Angela J Lee  
(74) *Attorney, Agent, or Firm* — ScienBiziP, P.C.

(30) **Foreign Application Priority Data**

(57) **CLAIM**

The ornamental design for an USB flash disk, as shown and described.

Oct. 12, 2018 (CN) ..... 2018 3 0571151  
(51) **LOC (12) Cl.** ..... **14-03**  
(52) **U.S. Cl.**  
USPC ..... **D14/480.6**  
(58) **Field of Classification Search**  
USPC ..... D14/480.1–480.7, 435.1, 411, 433, 436,  
D14/484.1, 137, 155, 203.1–203.8, 240,  
D14/242; D13/133, 154  
CPC ..... H05K 5/0278; G06K 19/07732  
See application file for complete search history.

**DESCRIPTION**

FIG. 1 is a first perspective view of a USB flash disk, showing my design.  
FIG. 2 is a second perspective view of the USB flash disk.  
FIG. 3 is a front elevation view of the USB flash disk.  
FIG. 4 is a rear elevation view of the USB flash disk.  
FIG. 5 is a left side elevation view of the USB flash disk.  
FIG. 6 is a right side elevation view of the USB flash disk.  
FIG. 7 is a top plan view of the USB flash disk.  
FIG. 8 is a bottom plan view of the USB flash disk; and,  
FIG. 9 is a perspective view of the USB flash disk, but shown in an alternate position.

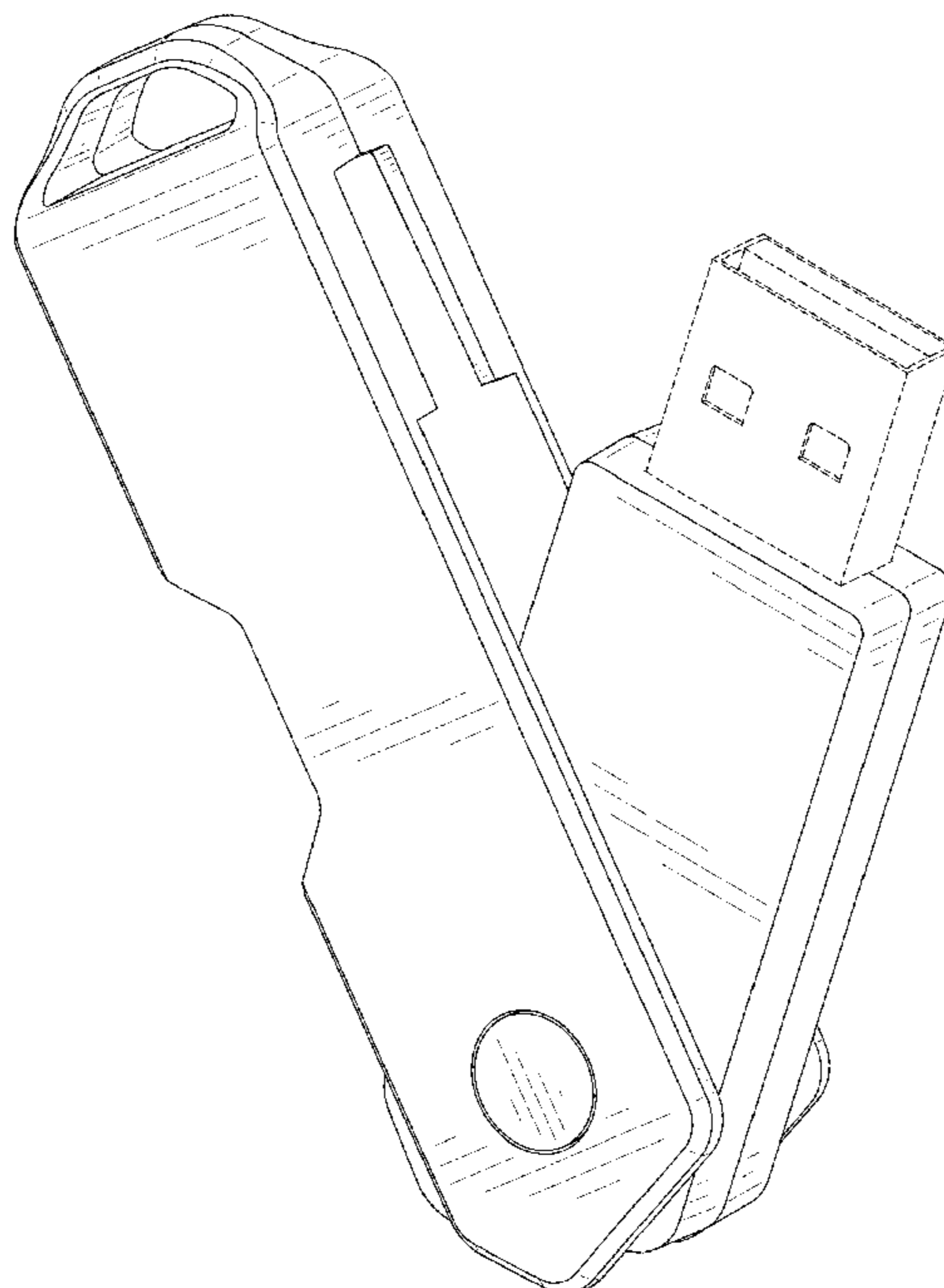
(56) **References Cited**

**U.S. PATENT DOCUMENTS**

D580,434 S \* 11/2008 Kim ..... H05K 5/0278  
D14/385  
D581,926 S \* 12/2008 Kim ..... D14/480.6  
D620,015 S \* 7/2010 Nan ..... D14/480.6  
D622,278 S \* 8/2010 Ma ..... D14/480.6  
D623,192 S \* 9/2010 Peng ..... D14/480.6

The broken lines shown in the drawings represent portions of the USB flash disk that form no part of the claimed design.

**1 Claim, 9 Drawing Sheets**



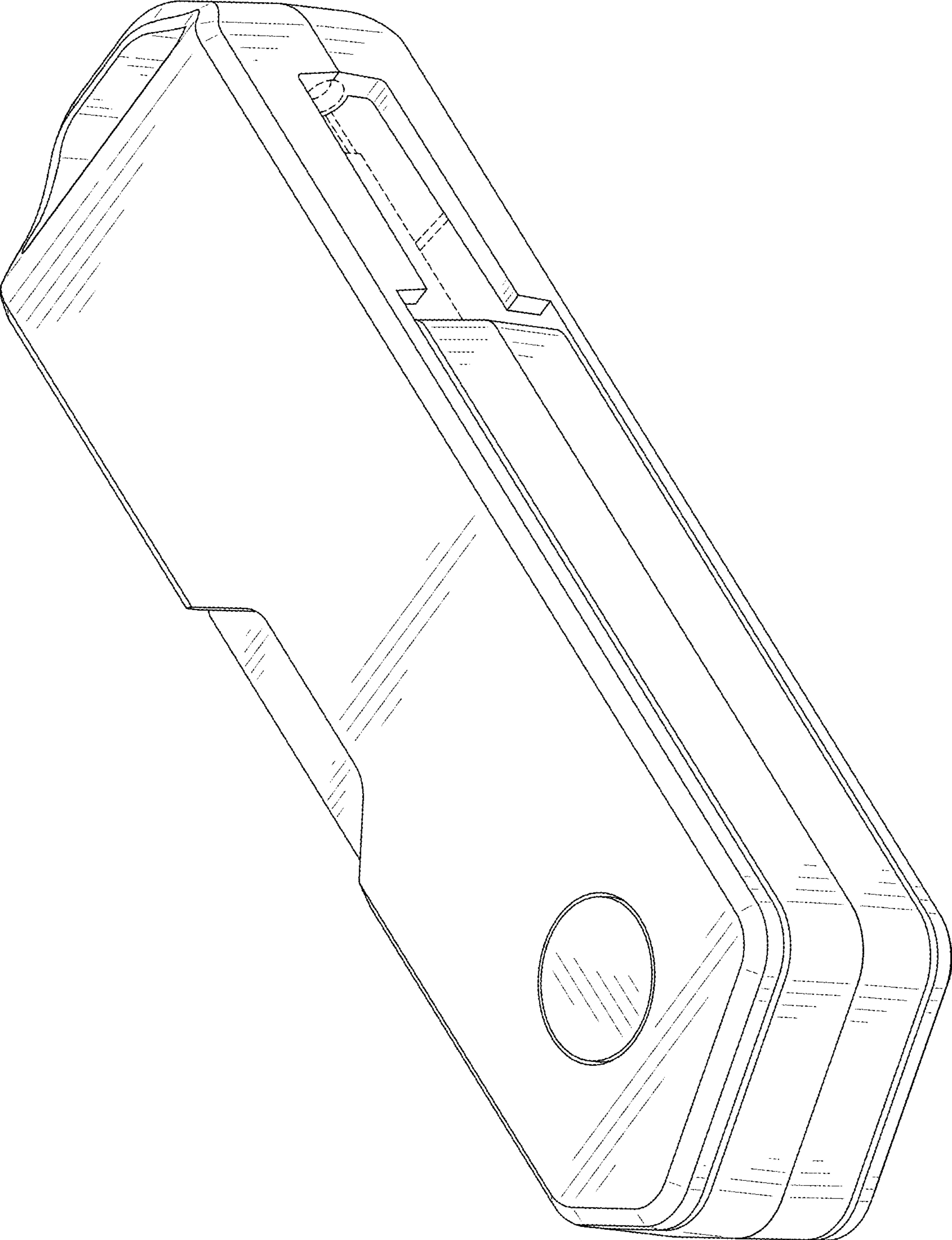


FIG. 1

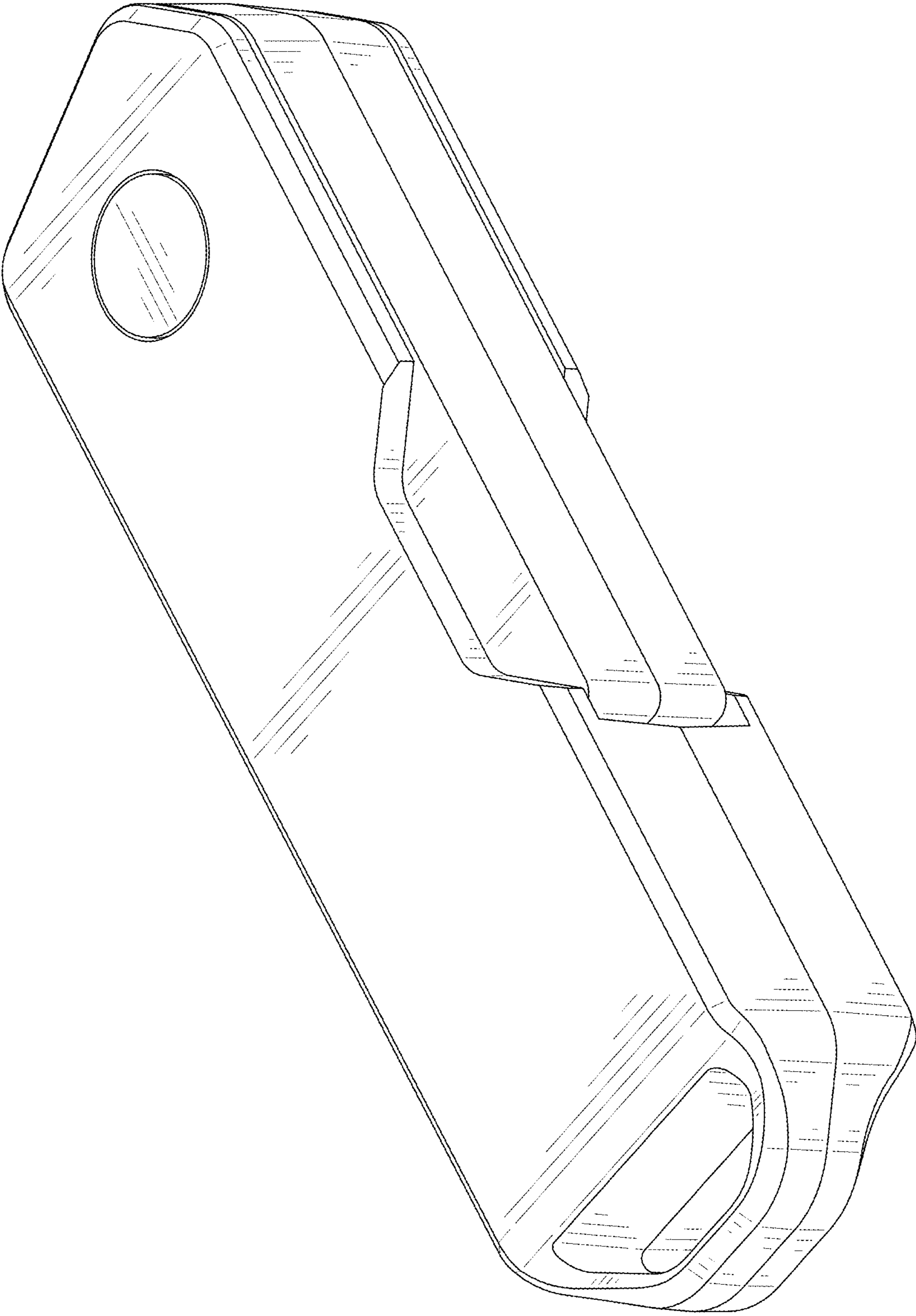


FIG. 2

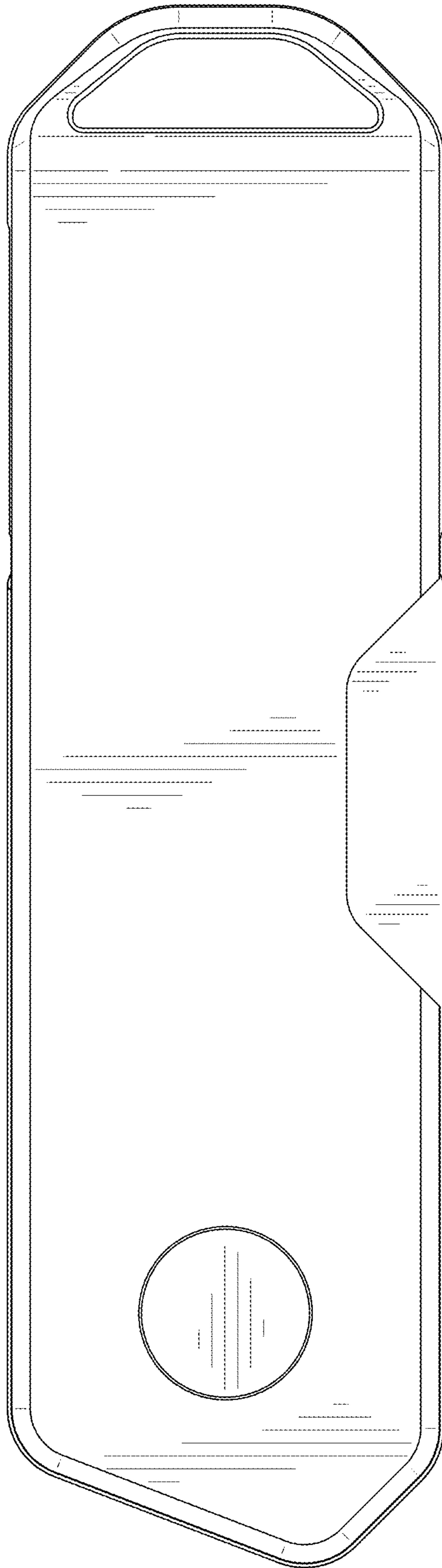


FIG. 3



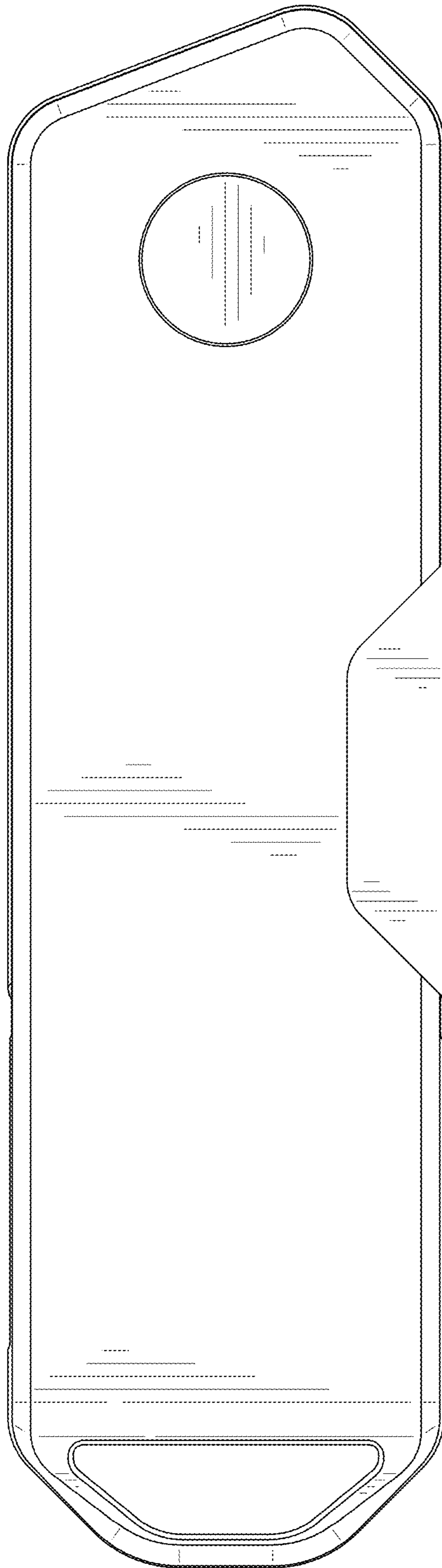


FIG. 4

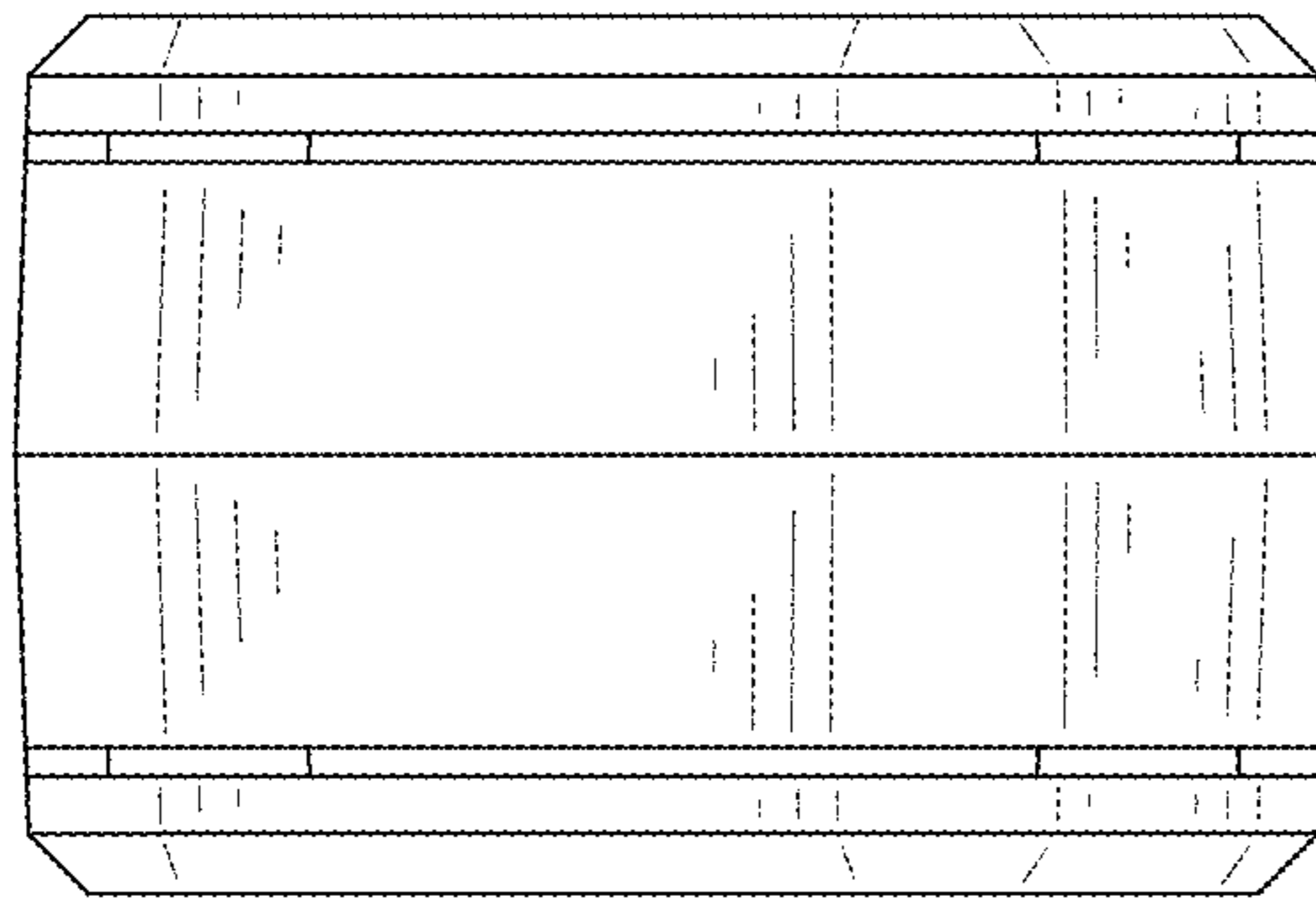


FIG. 5

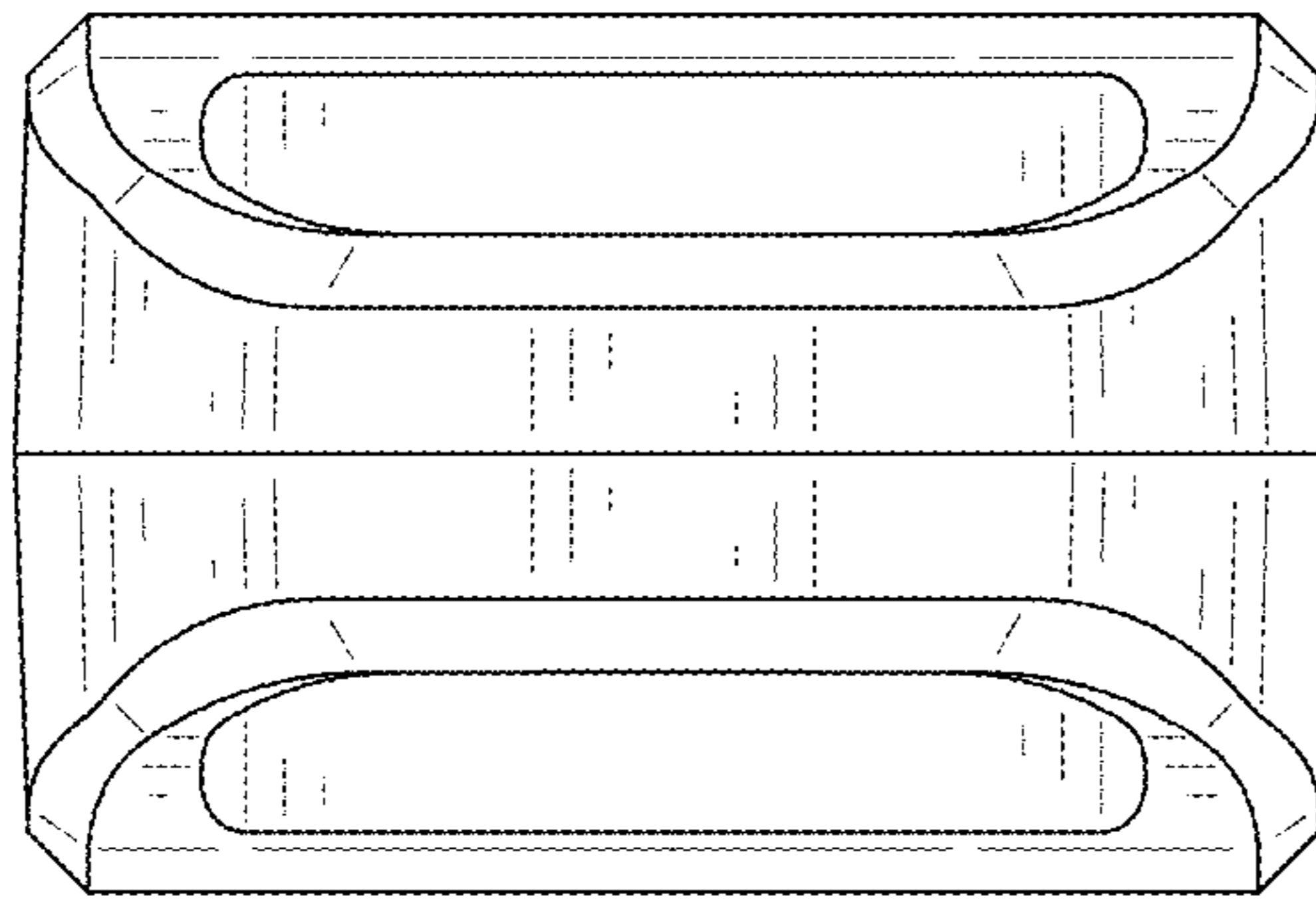


FIG. 6

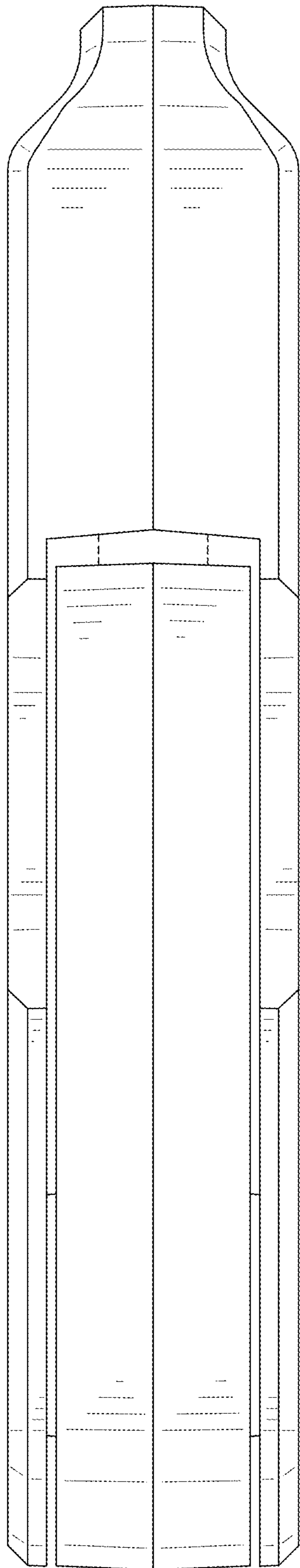


FIG. 7



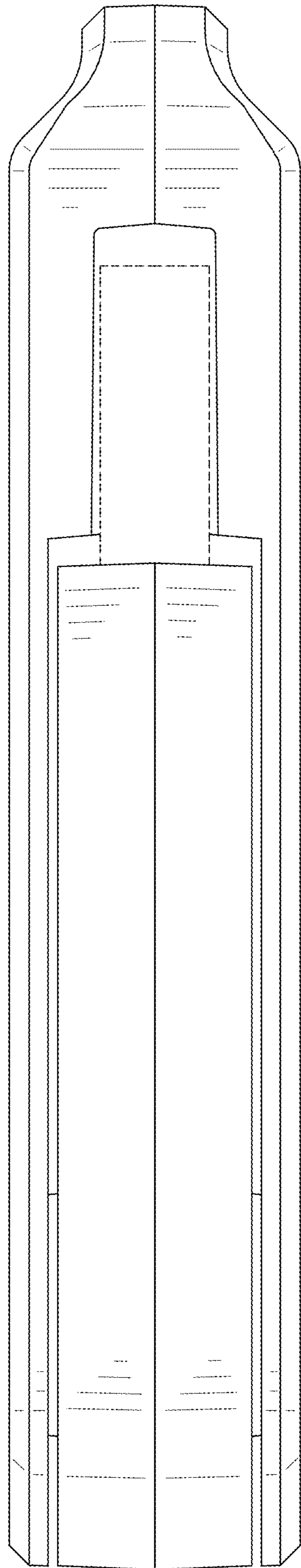


FIG. 8

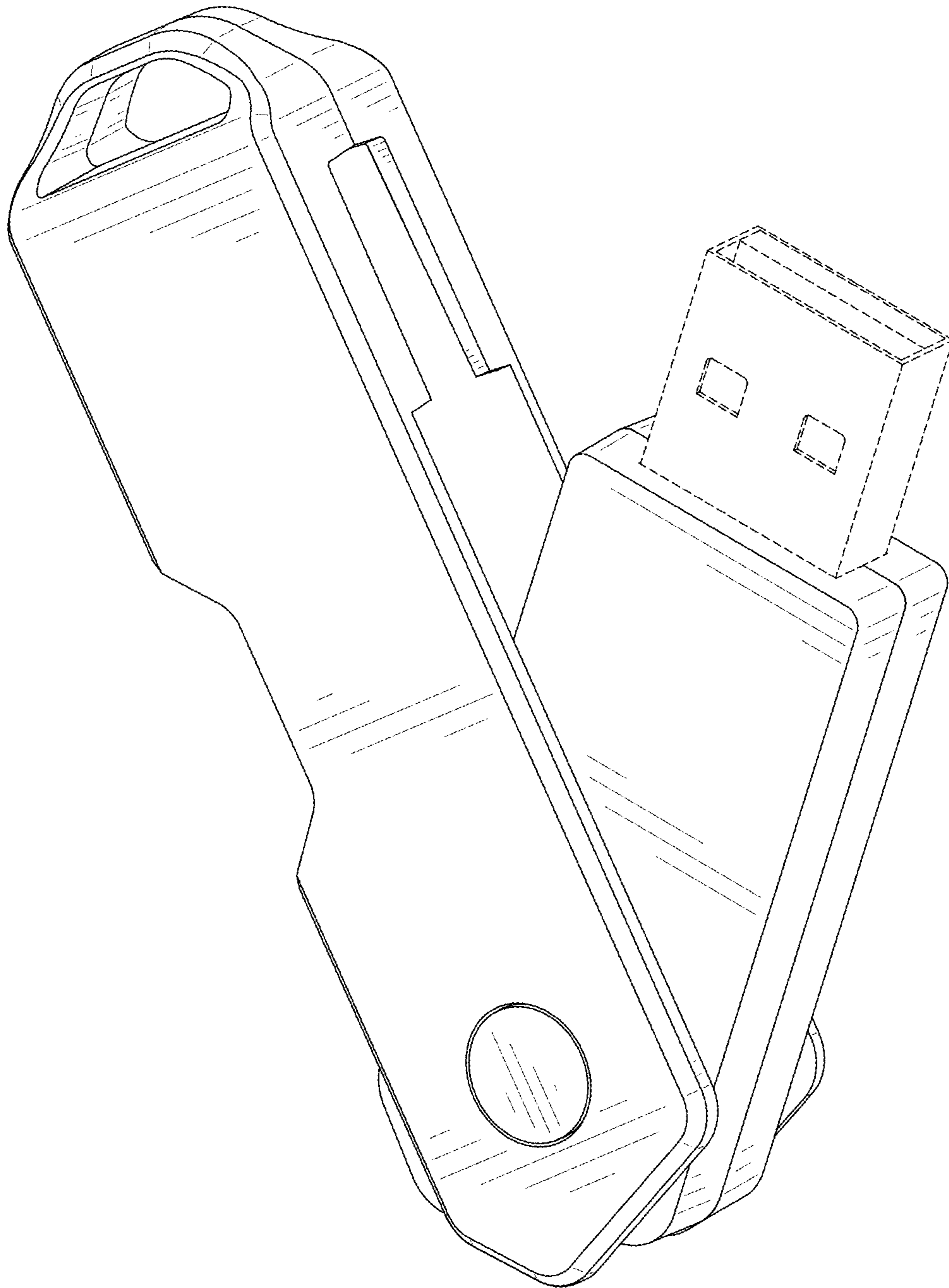


FIG. 9