



US00D885404S

(12) **United States Design Patent**
Lee et al.

(10) **Patent No.:** **US D885,404 S**

(45) **Date of Patent:** **** May 26, 2020**

(54) **STAND FOR ELECTRONIC DEVICE**

(71) Applicant: **elago CO. LTD**, Goyang-si,
Gyeonggi-do (KR)

(72) Inventors: **Chan Woo Lee**, Goyang-si (KR);
Chong Min Kim, Seoul (KR)

(73) Assignee: **elago CO. LTD**, Goyang-si,
Gyeonggi-Do (KR)

(**) Term: **15 Years**

(21) Appl. No.: **29/644,599**

(22) Filed: **Apr. 19, 2018**

(51) **LOC (12) Cl.** **08-07**

(52) **U.S. Cl.**
USPC **D14/447**

(58) **Field of Classification Search**
USPC D14/447, 432, 434, 439, 440, 451, 452,
D14/457, 239; D8/363, 373, 380;
D6/406.3, 406.4, 406.5, 406.6; D12/415
CPC A47B 21/04; A47B 2097/006; A47B
2097/005; A47B 2023/049; A45C
2011/002; A45C 2011/003; F16M
2200/00; F16M 13/00
See application file for complete search history.

(56) **References Cited**

U.S. PATENT DOCUMENTS

D364,322 S * 11/1995 Breacain D23/214
D379,107 S * 5/1997 Loch D1/118
D477,920 S * 8/2003 McCarty D6/310
D637,601 S * 5/2011 Symons D14/447
D645,047 S * 9/2011 Wike D14/447

D671,546 S * 11/2012 Eberstein D14/447
D676,056 S * 2/2013 Liang D14/447
D688,252 S * 8/2013 Paul D14/205
D693,353 S * 11/2013 Shu D14/447
D706,784 S * 6/2014 Mills D14/447
D719,959 S * 12/2014 Vogel D14/447
D754,535 S * 4/2016 Kim D9/435
D821,123 S * 6/2018 Royer D6/682.1

* cited by examiner

Primary Examiner — Angela J Lee

(74) *Attorney, Agent, or Firm* — Paratus Law Group,
PLLC

(57) **CLAIM**

The ornamental design for a stand for electronic device, as shown and described.

DESCRIPTION

FIG. 1 is a front, top and right perspective view of stand for electronic device showing claimed design;
FIG. 2 is a front view thereof;
FIG. 3 is a back view thereof;
FIG. 4 is a left side view thereof;
FIG. 5 is a right side view thereof;
FIG. 6 is a top view thereof;
FIG. 7 is a bottom view thereof;
FIG. 8 is a front, bottom and right perspective view thereof;
and,
FIG. 9 is a reference view showing the stand for electronic device in use.

The broken lines depict environment and form no part of the claimed design.

1 Claim, 7 Drawing Sheets

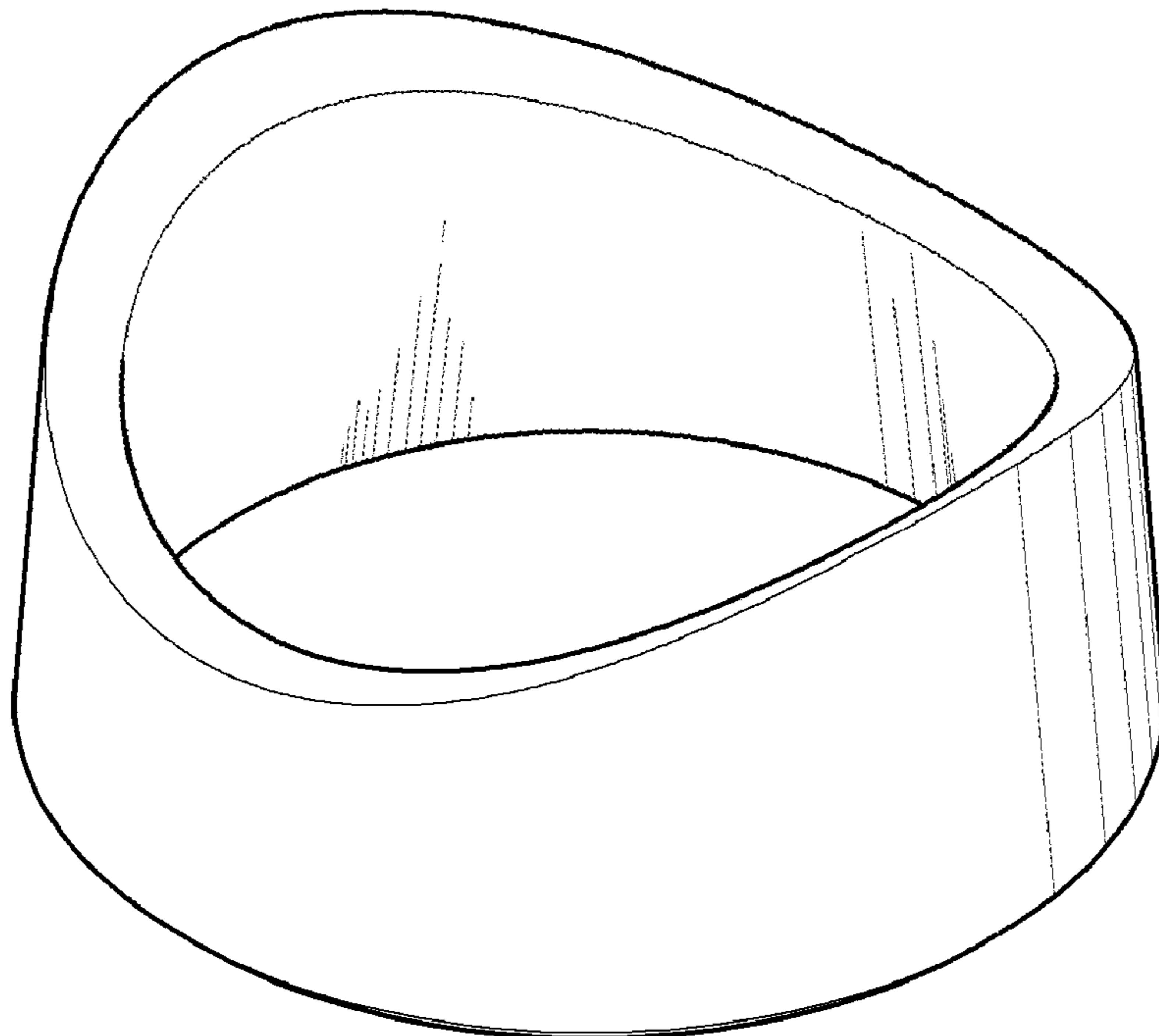


FIG. 1

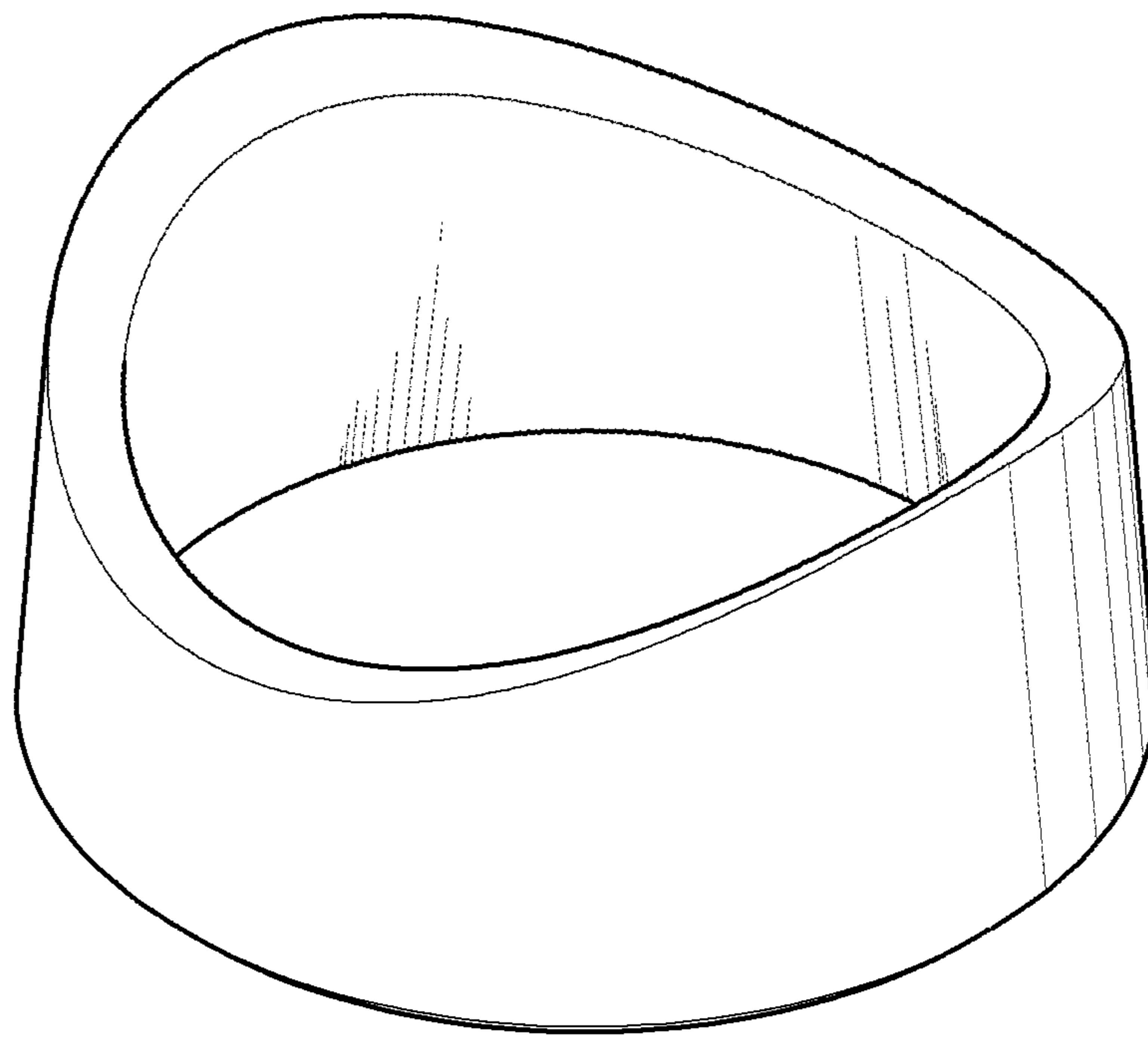


FIG. 2

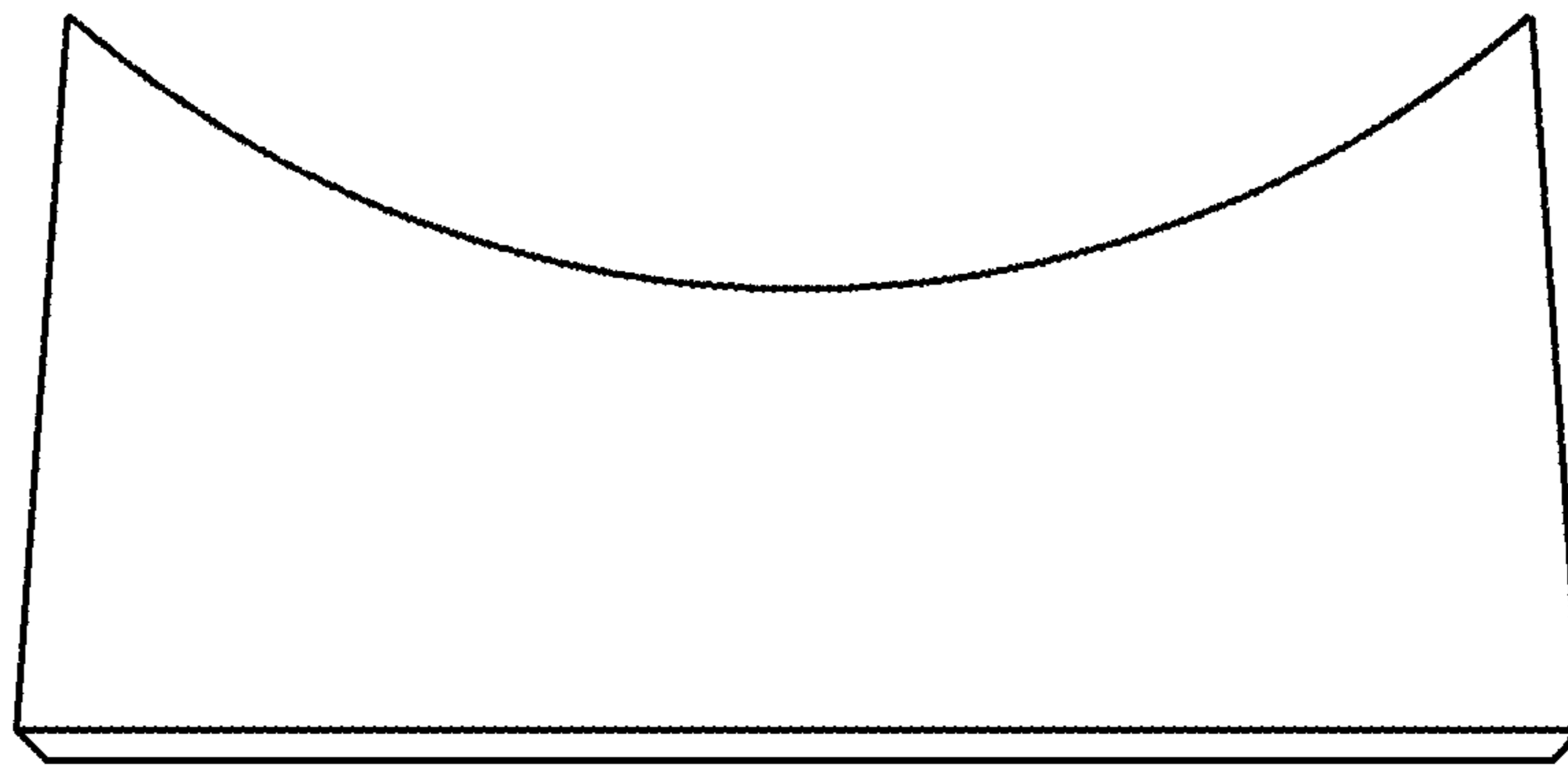


FIG. 3

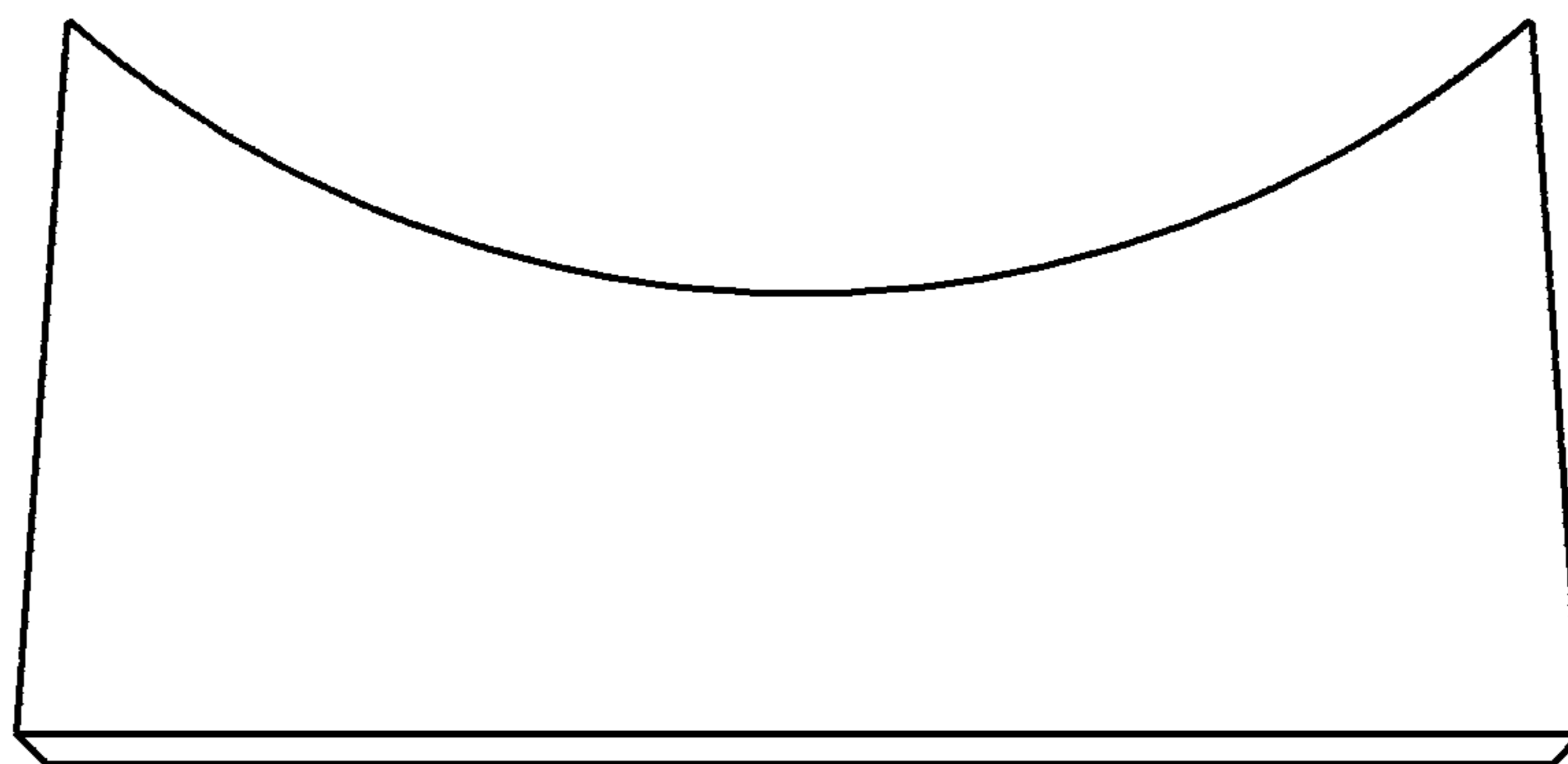


FIG. 4

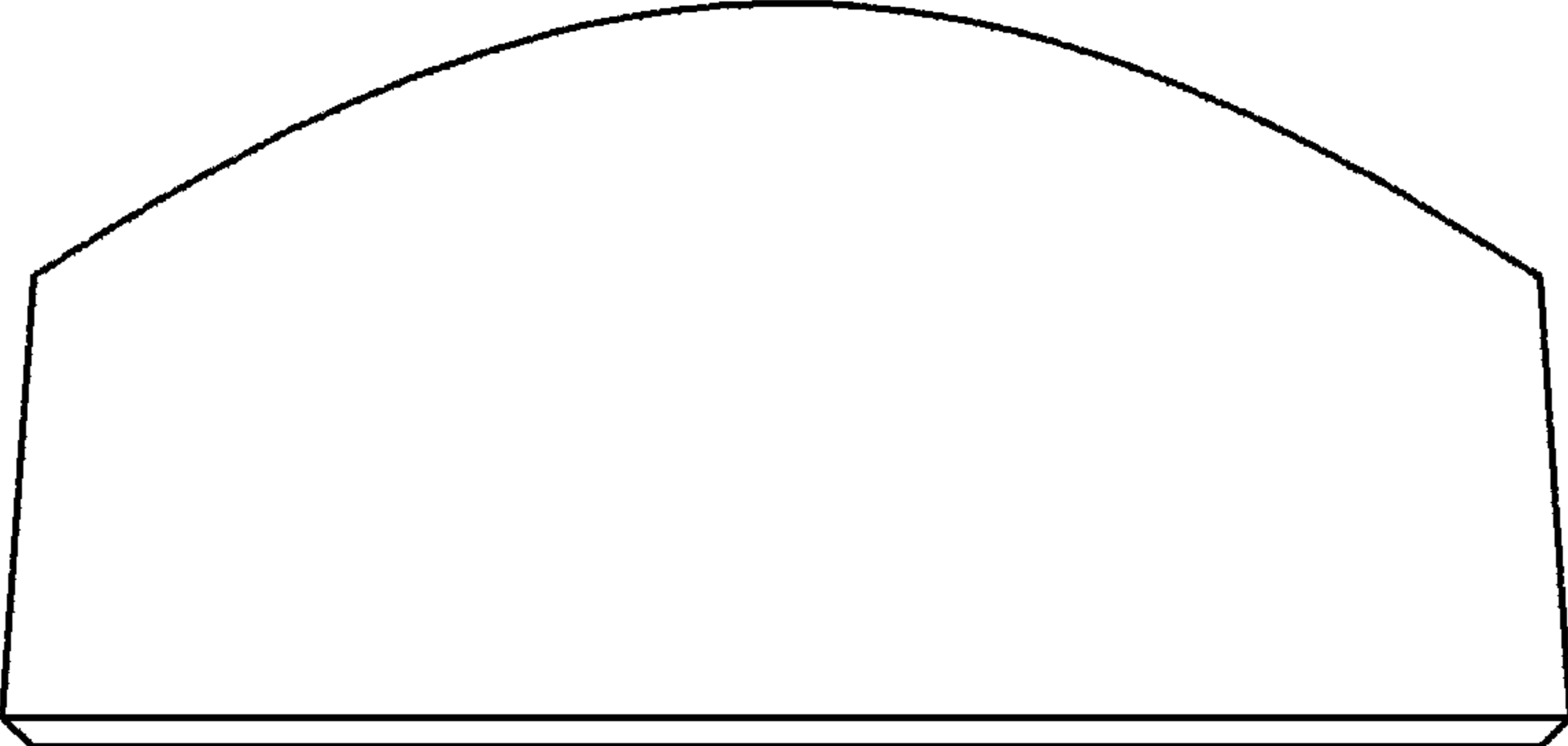


FIG. 5

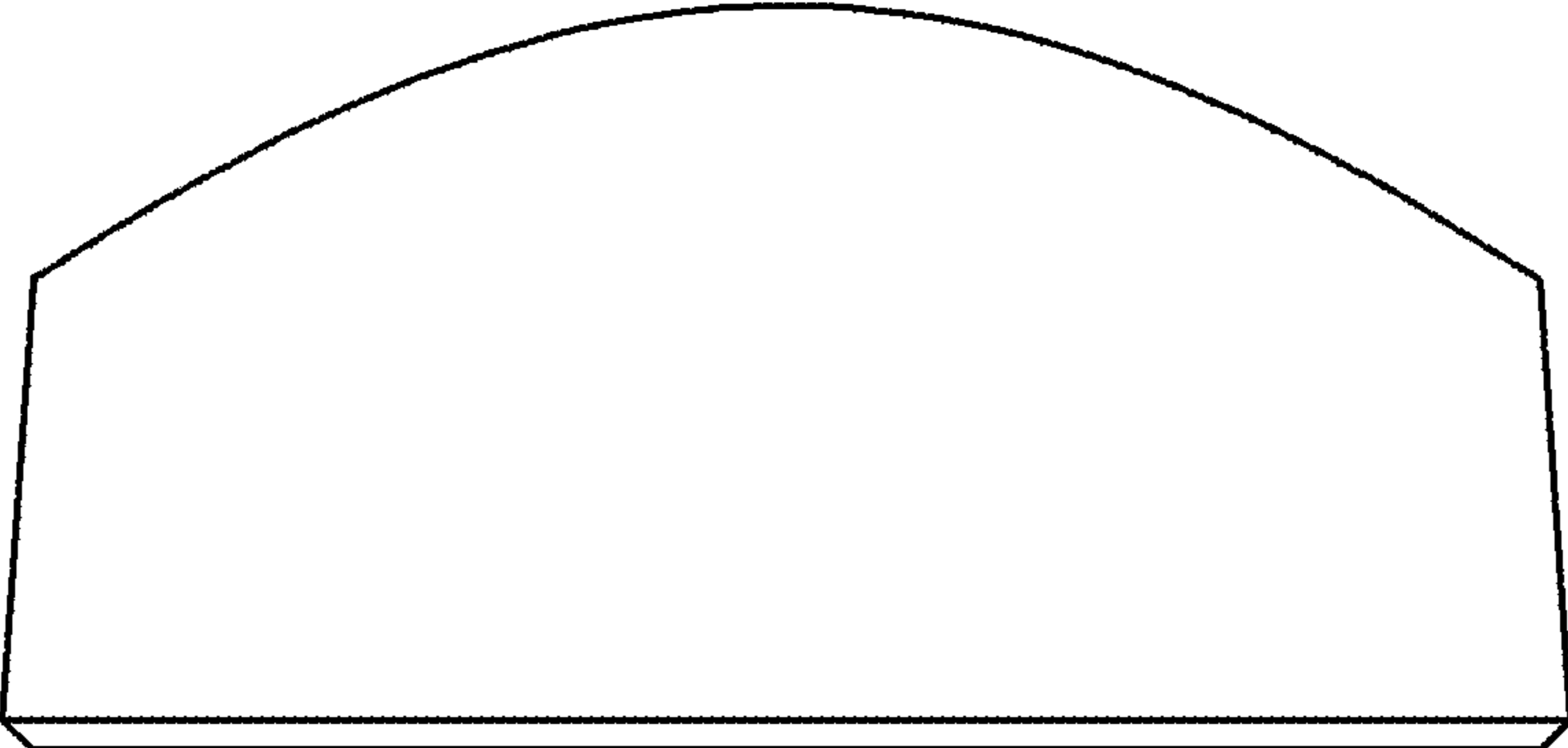


FIG. 6

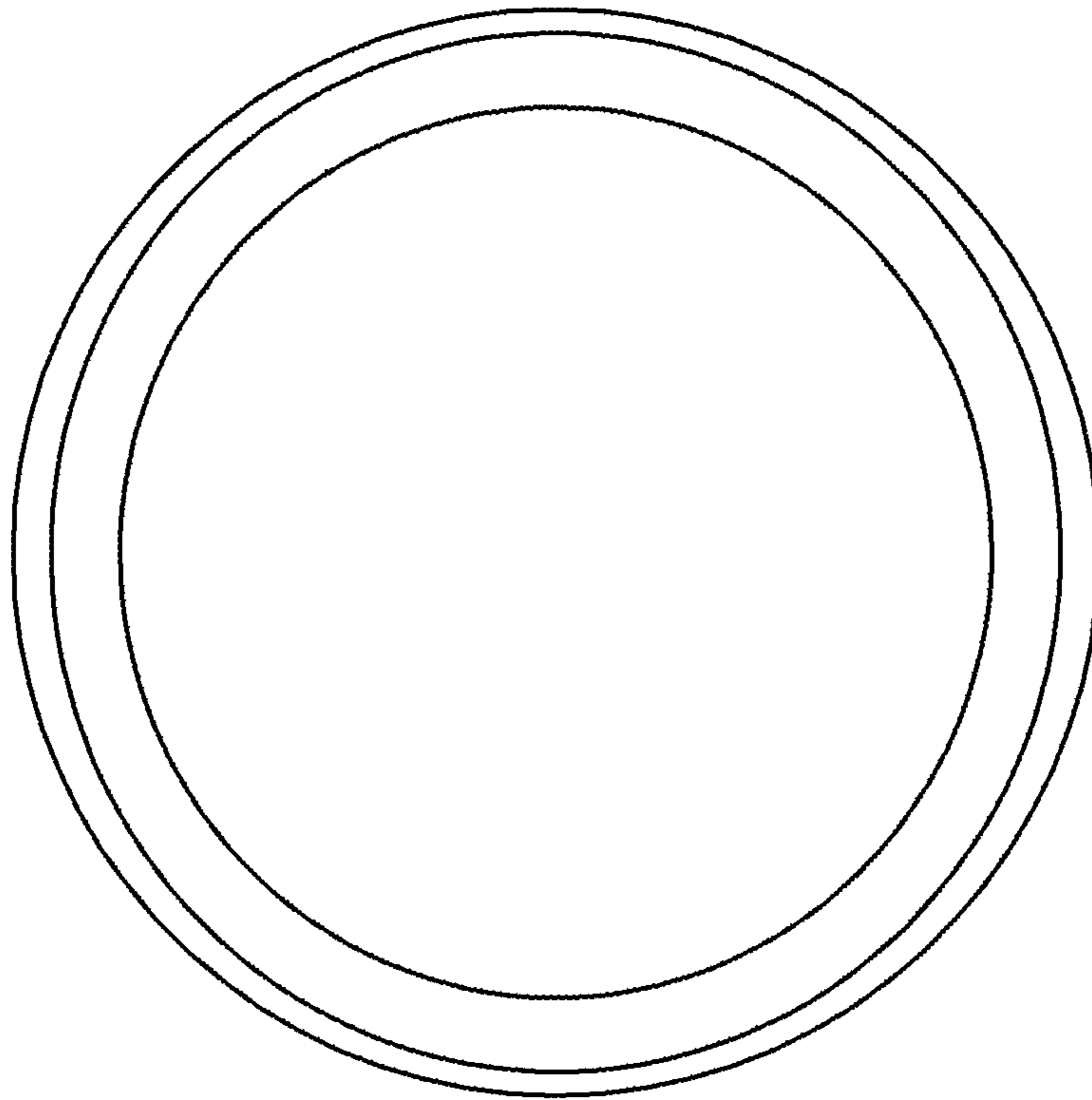


FIG. 7

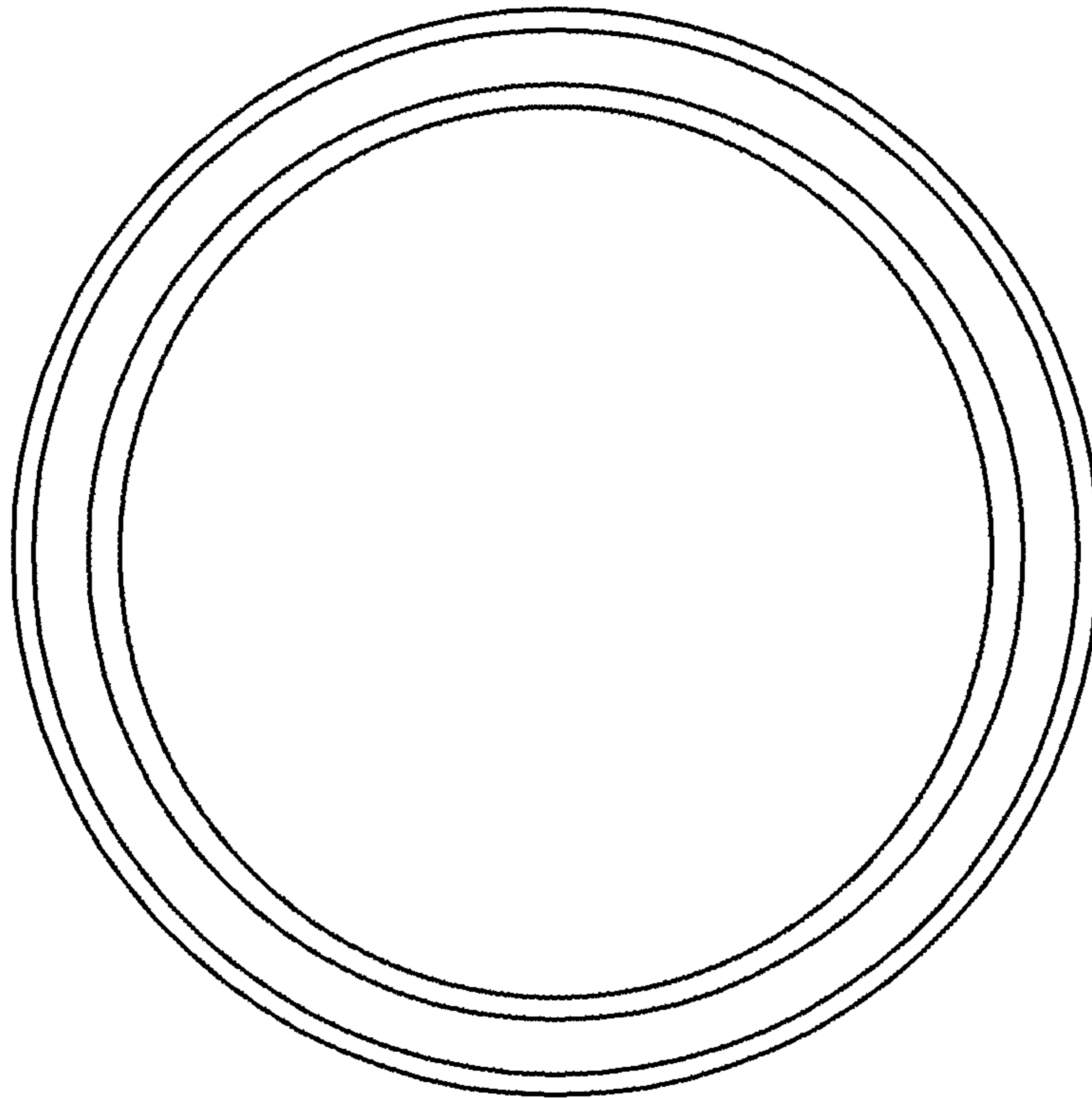


FIG. 8

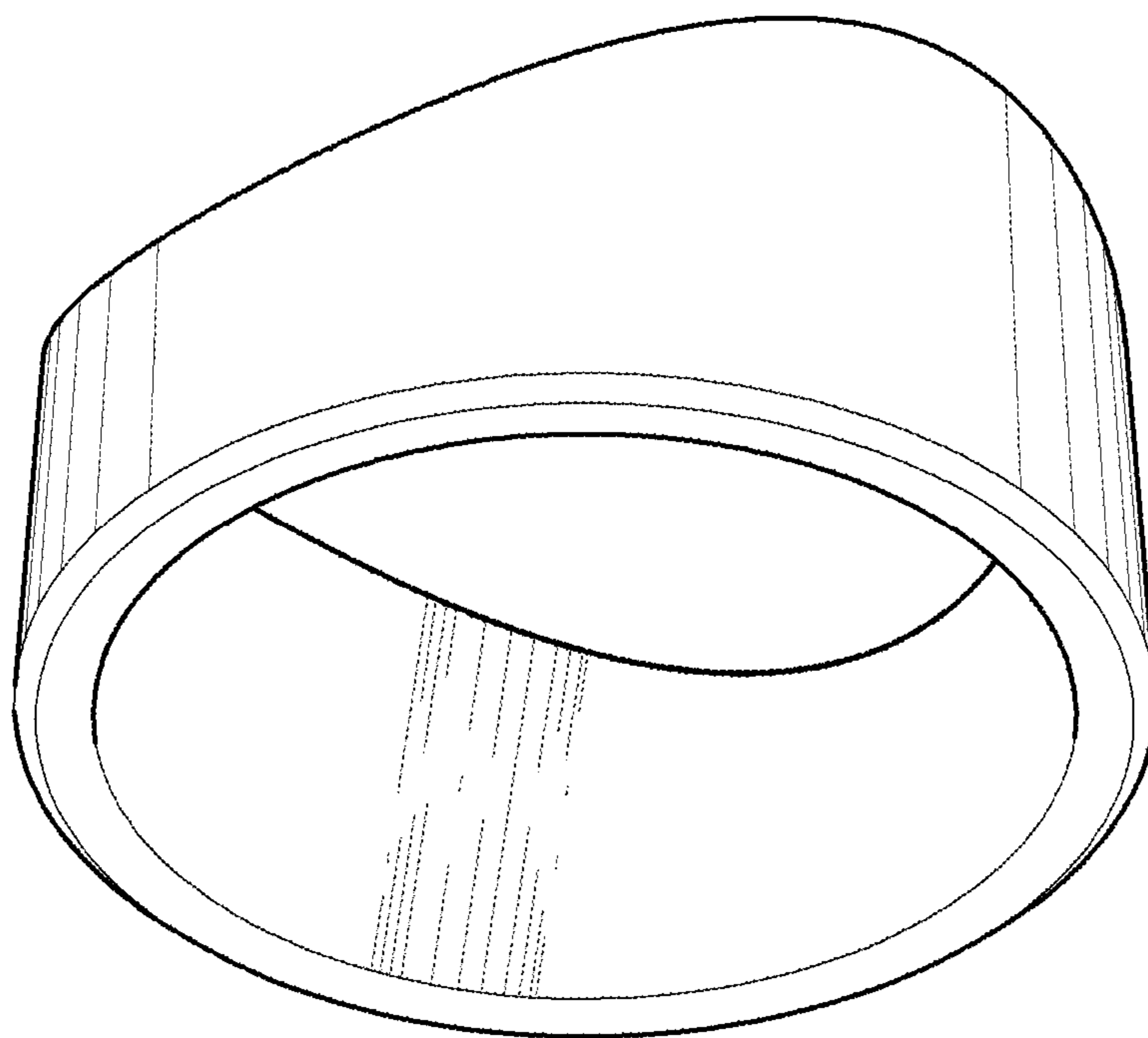


FIG. 9

