



US00D885403S

(12) **United States Design Patent** (10) **Patent No.:** **US D885,403 S**  
**Ma** (45) **Date of Patent:** **\*\* May 26, 2020**

(54) **TABLET CASE**  
(71) Applicant: **SHENZHEN DE FENG YUAN TECHNOLOGY CO., LTD**, Shenzhen (CN)  
(72) Inventor: **Yixun Ma**, Shantou (CN)  
(\*\*) Term: **15 Years**  
(21) Appl. No.: **29/711,282**  
(22) Filed: **Oct. 30, 2019**  
(51) **LOC (12) Cl.** ..... **14-02**  
(52) **U.S. Cl.**  
USPC ..... **D14/440**  
(58) **Field of Classification Search**  
USPC ..... D14/440, 447, 250; 206/45.23, 320, 206/45.2; 361/679.55; 294/25; 224/218  
CPC .... G06F 1/1628; G06F 1/1626; G06F 1/1669; A47B 23/044; H04B 1/3888  
See application file for complete search history.

D789,342 S \* 6/2017 Sirichai ..... D14/250  
D792,887 S \* 7/2017 Zhang ..... D14/440  
D807,363 S \* 1/2018 Hallier ..... D14/440  
D807,365 S \* 1/2018 Liu ..... D14/440  
D807,892 S \* 1/2018 Wang ..... D14/440  
D808,394 S \* 1/2018 Lakraa ..... D14/440  
D808,395 S \* 1/2018 Fenton ..... D14/440  
D811,411 S \* 2/2018 Moore ..... D14/440  
D817,962 S \* 5/2018 Shao ..... D14/440  
D822,675 S \* 7/2018 Zhu ..... D14/455  
D822,852 S \* 11/2018 Jinkinson ..... D14/440  
D832,853 S \* 11/2018 Jinkinson ..... D14/440  
D832,854 S \* 11/2018 Jinkinson ..... D14/440  
D832,856 S \* 11/2018 Jinkinson ..... D14/440

(Continued)

*Primary Examiner* — Cynthia R Underwood  
(74) *Attorney, Agent, or Firm* — HYIP

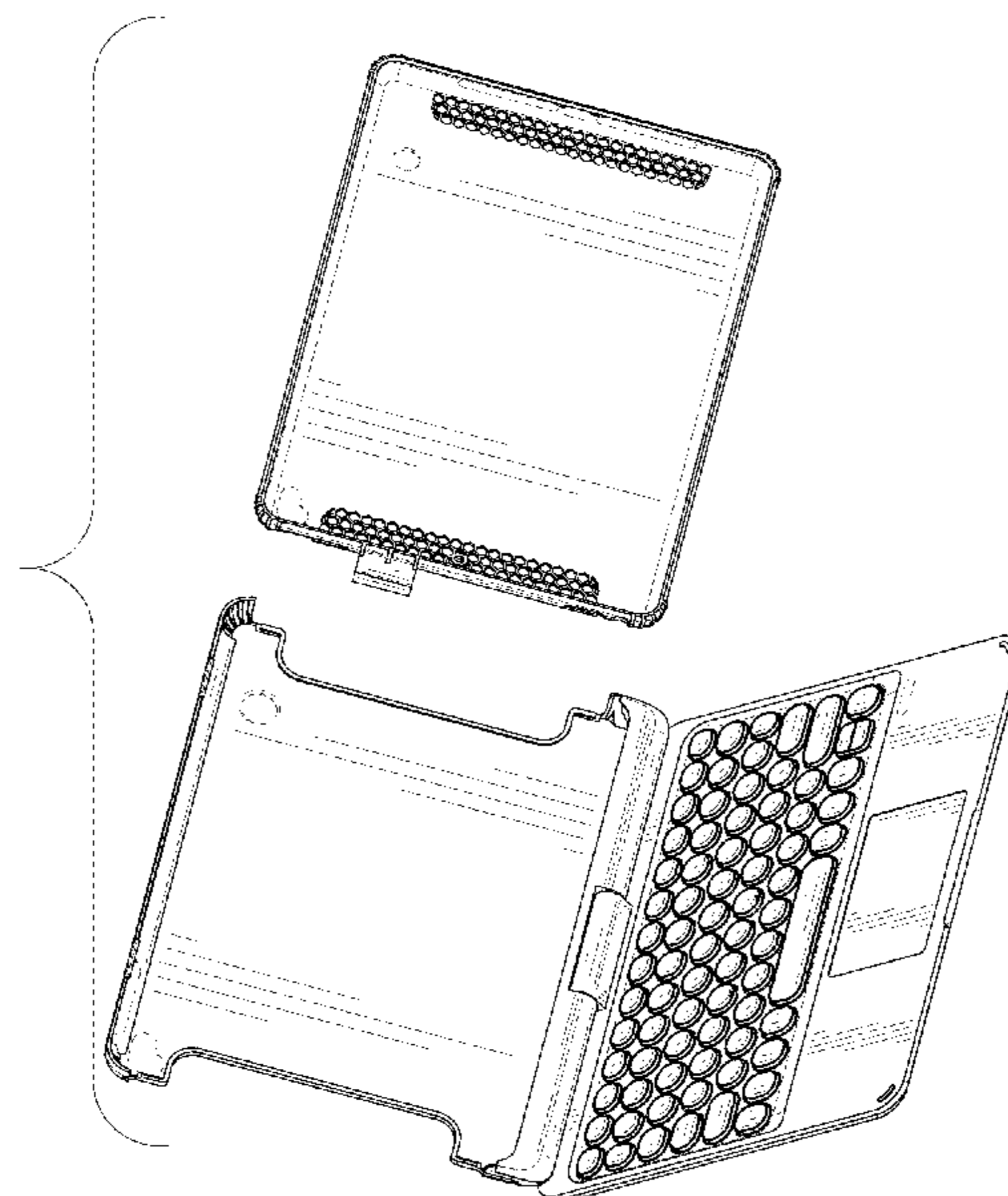
(57) **CLAIM**  
The ornamental design for a tablet case, as shown and described.

**DESCRIPTION**

FIG. 1 is a first perspective view of a tablet case showing my new design;  
FIG. 2 is a second perspective view thereof;  
FIG. 3 is a front view thereof;  
FIG. 4 is a back view thereof;  
FIG. 5 is a left side view thereof;  
FIG. 6 is a right side view thereof;  
FIG. 7 is a top view thereof;  
FIG. 8 is a bottom view thereof;  
FIG. 9 is a perspective view of another state of the tablet case; and,  
FIG. 10 is a perspective view of another state of the tablet case.  
The broken lines shown in the drawings depict portions of the tablet case in which the design is embodied that form no part of the claimed design.

(56) **References Cited**  
U.S. PATENT DOCUMENTS  
D675,625 S \* 2/2013 Hasbrook ..... D14/440  
D696,256 S \* 12/2013 Piedra ..... D14/440  
D696,669 S \* 12/2013 Akana ..... D14/440  
D700,611 S \* 3/2014 Boldetti ..... D14/440  
8,766,921 B2 \* 7/2014 Ballagas ..... G09G 5/00  
345/168  
D729,253 S \* 5/2015 Nyholm ..... D14/440  
D733,152 S \* 6/2015 Sirichai ..... D14/440  
9,095,194 B2 \* 8/2015 Hassett ..... A45C 11/00  
D744,489 S \* 12/2015 Sirichai ..... D14/440  
9,227,763 B2 \* 1/2016 Gengler ..... B65D 25/00  
D764,472 S \* 8/2016 Corcoran ..... D14/440  
9,451,822 B2 \* 9/2016 Gu ..... A47B 23/044  
D768,638 S \* 10/2016 Lee ..... D14/440  
D770,457 S \* 11/2016 Massucco ..... D14/440  
D772,880 S \* 11/2016 Corcoran ..... D14/440  
D779,494 S \* 2/2017 Hallier ..... D14/252

**1 Claim, 10 Drawing Sheets**



(56)

**References Cited**

U.S. PATENT DOCUMENTS

10,349,544 B2 \* 7/2019 Katsuyama ..... G06F 1/16  
 D861,000 S \* 9/2019 Zhao ..... D14/440  
 D863,935 S \* 10/2019 Aoki ..... G06F 1/1681  
 D8/329  
 2003/0193773 A1 \* 10/2003 Choi ..... G06F 1/162  
 361/679.06  
 2009/0194209 A1 \* 8/2009 De Filippis ..... A45C 11/00  
 150/107  
 2009/0201254 A1 \* 8/2009 Rais ..... G06F 1/1613  
 345/168  
 2010/0300909 A1 \* 12/2010 Hung ..... H04M 1/04  
 206/320  
 2011/0110670 A1 \* 5/2011 Atkinson ..... G06F 1/162  
 398/135  
 2012/0211377 A1 \* 8/2012 Sajid ..... G06F 1/1628  
 206/216  
 2012/0293938 A1 \* 11/2012 Dai ..... G06F 1/1622  
 361/679.07  
 2013/0015088 A1 \* 1/2013 Wu ..... A45C 11/00  
 206/320

2013/0214661 A1 \* 8/2013 McBroom ..... G06F 1/1667  
 312/325  
 2013/0264459 A1 \* 10/2013 McCosh ..... G06F 1/1626  
 248/688  
 2014/0029189 A1 \* 1/2014 Chang ..... G06F 1/1662  
 361/679.11  
 2014/0083883 A1 \* 3/2014 Elias ..... G06F 1/1626  
 206/320  
 2014/0211393 A1 \* 7/2014 Lee ..... G06F 1/1626  
 361/679.12  
 2014/0218855 A1 \* 8/2014 Fujino ..... G06F 1/1681  
 361/679.12  
 2015/0293601 A1 \* 10/2015 Gu ..... G06F 3/0202  
 345/168  
 2015/0296060 A1 \* 10/2015 Gu ..... H04M 1/0235  
 455/575.4  
 2015/0296068 A1 \* 10/2015 Chin ..... G06F 1/1628  
 455/575.8  
 2016/0011628 A1 \* 1/2016 Sato ..... G06F 1/1656  
 361/679.3  
 2016/0187937 A1 \* 6/2016 Ahee ..... G06F 1/1681  
 361/679.09

\* cited by examiner

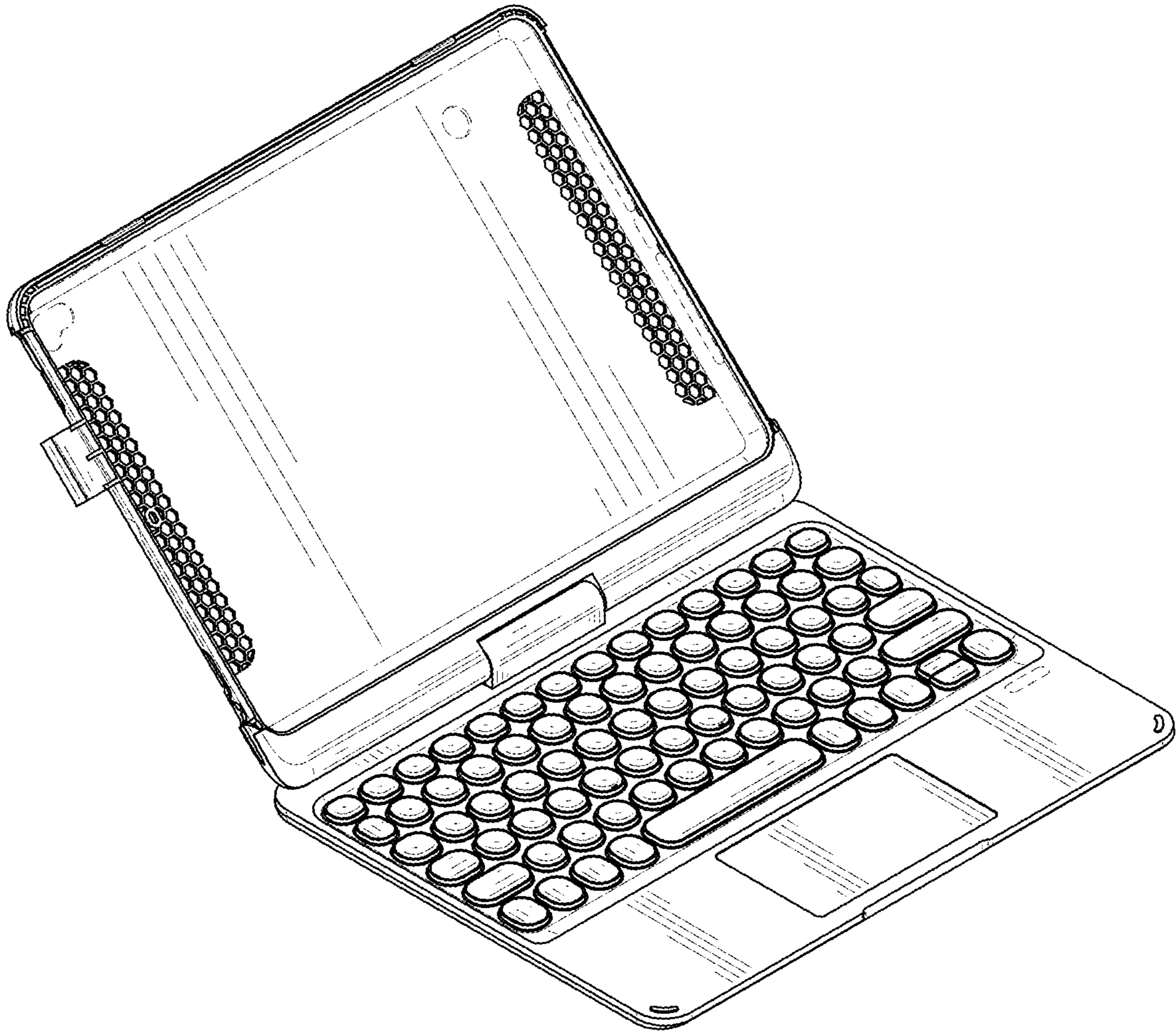


FIG. 1



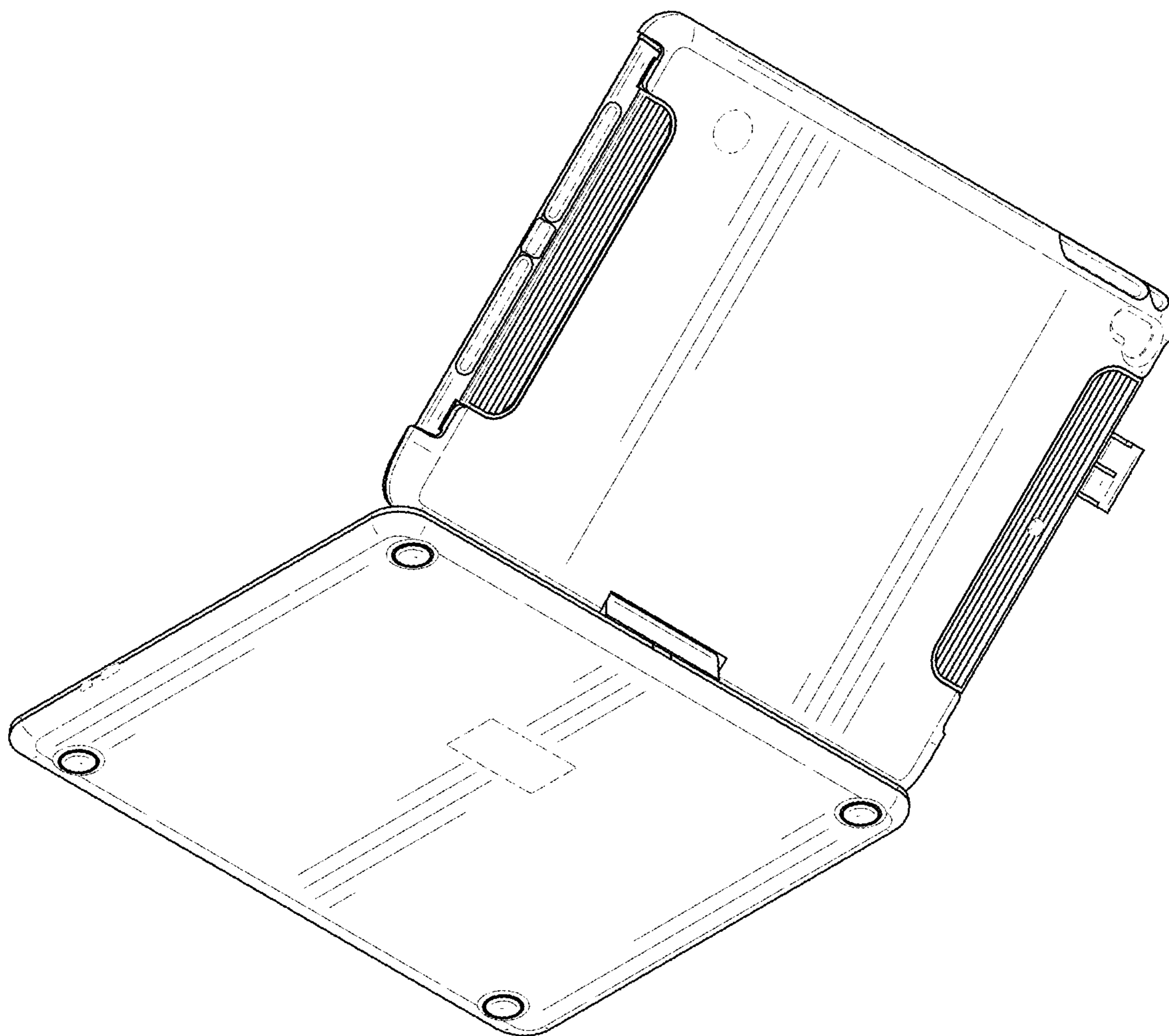


FIG. 2

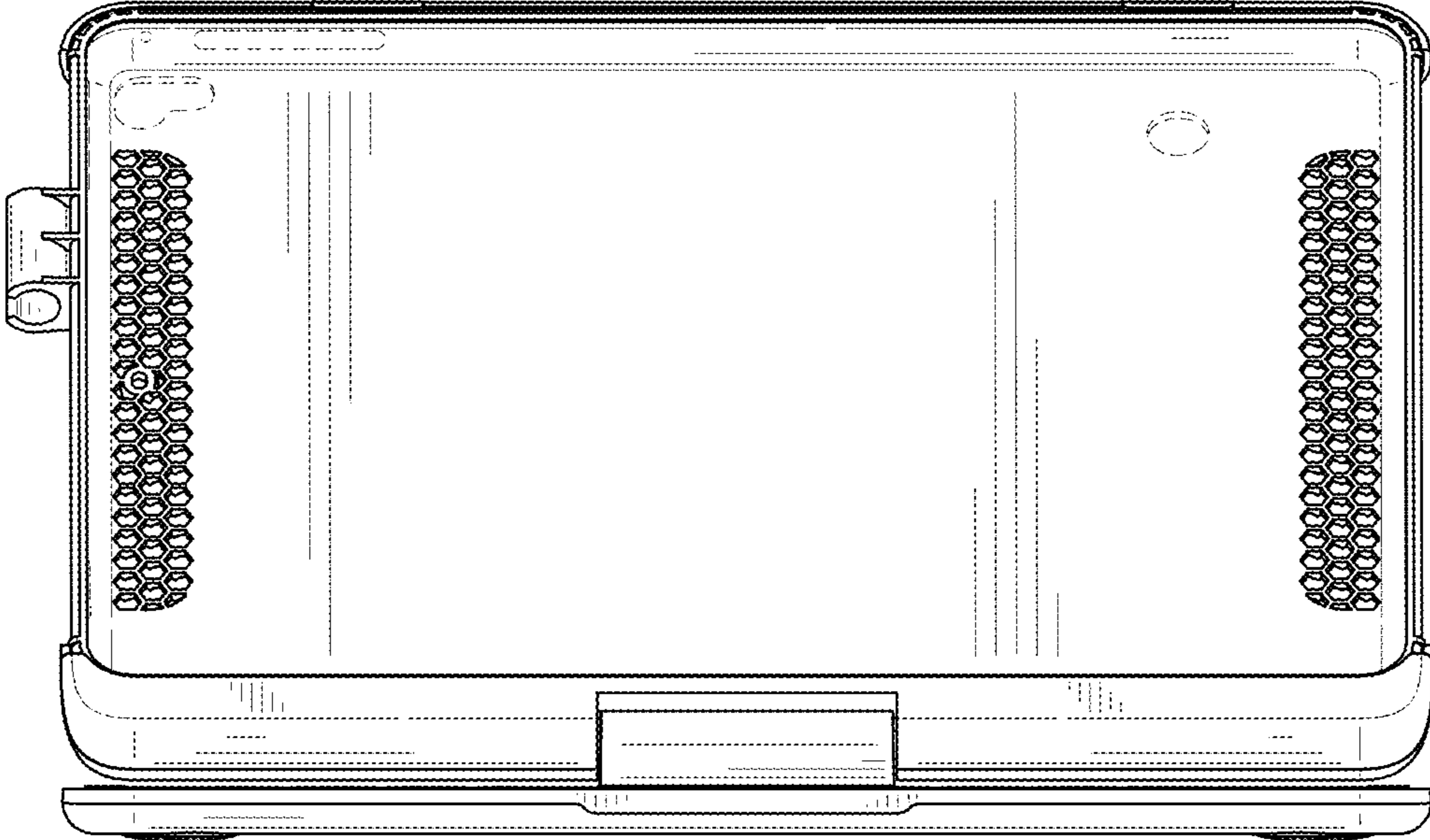


FIG. 3

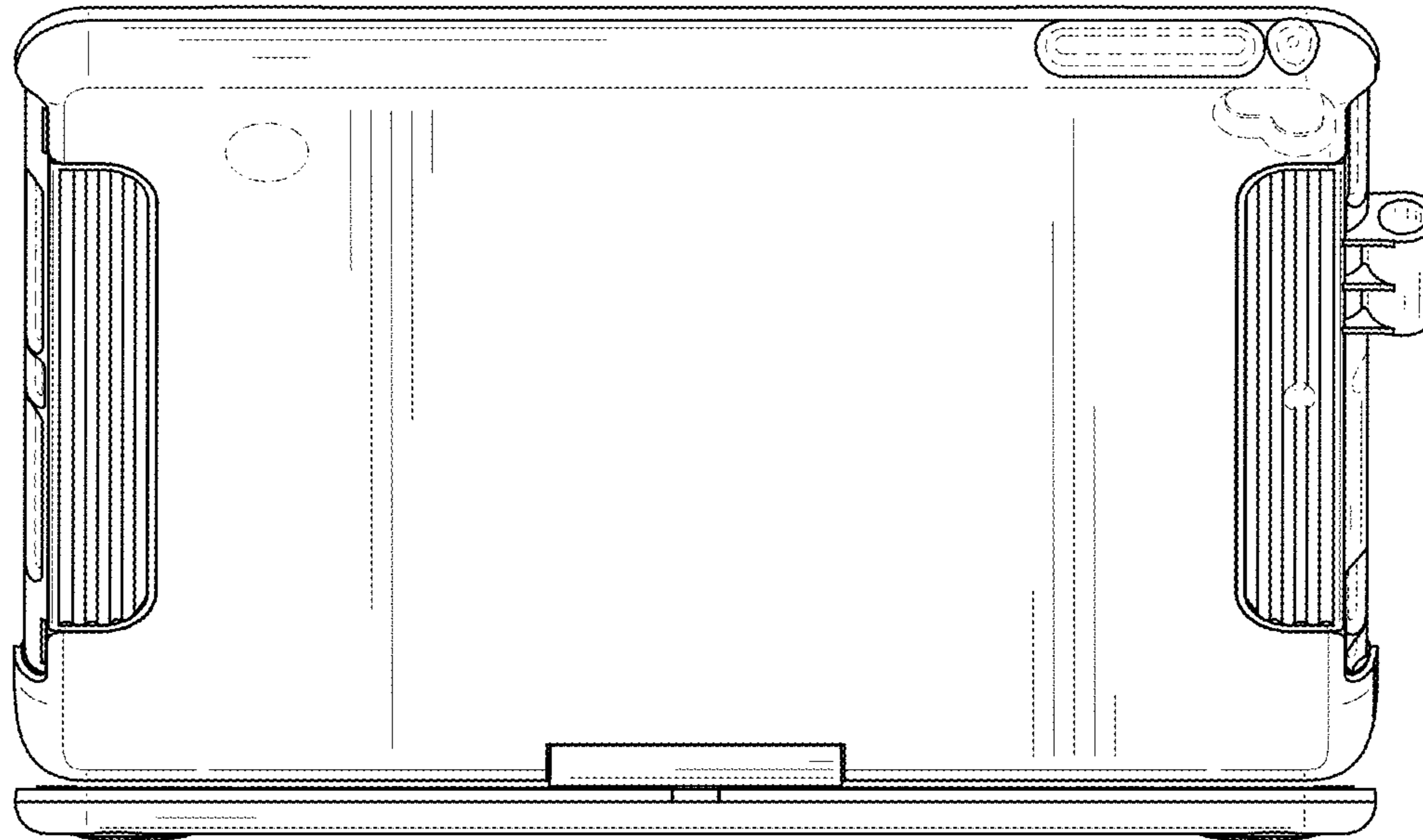


FIG. 4

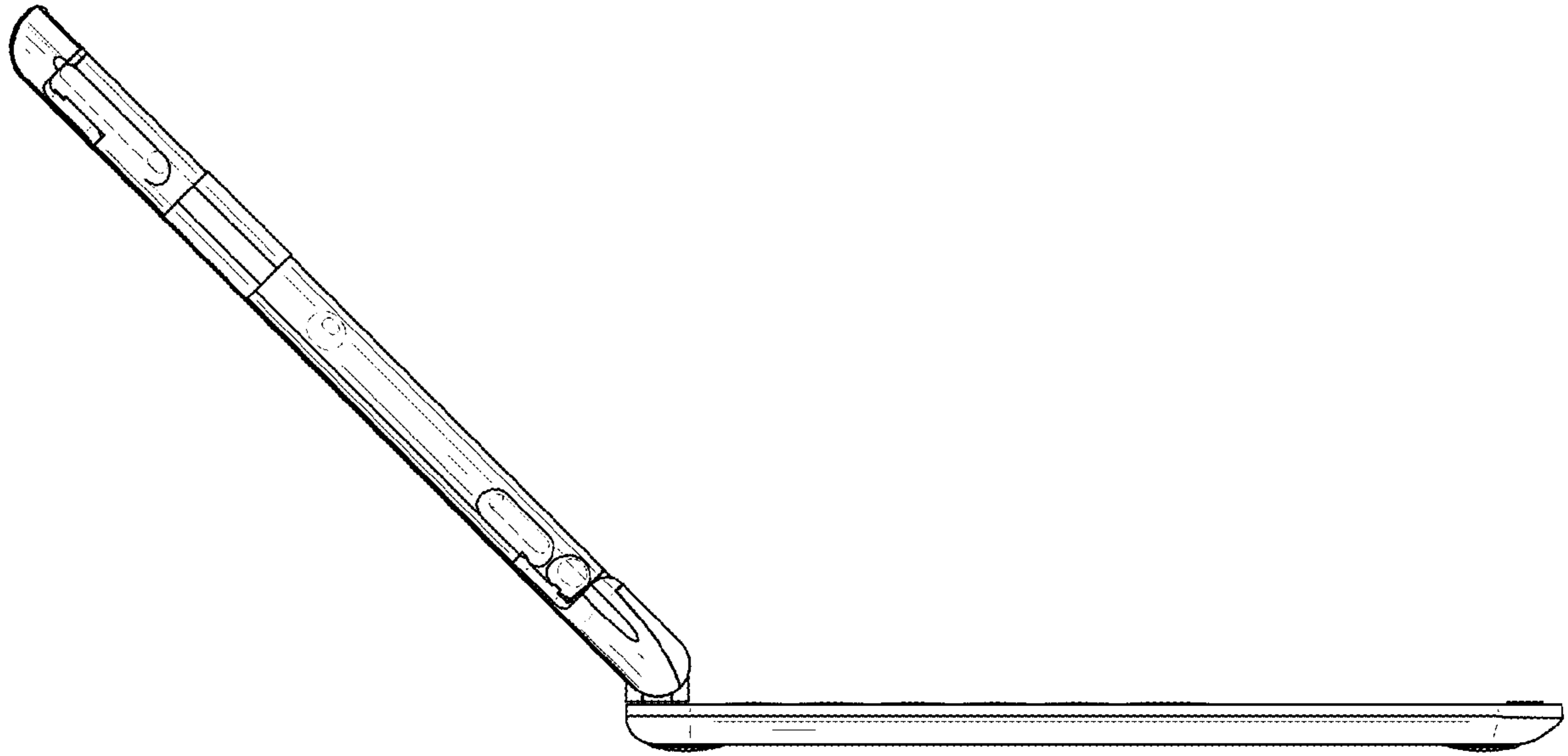


FIG. 5

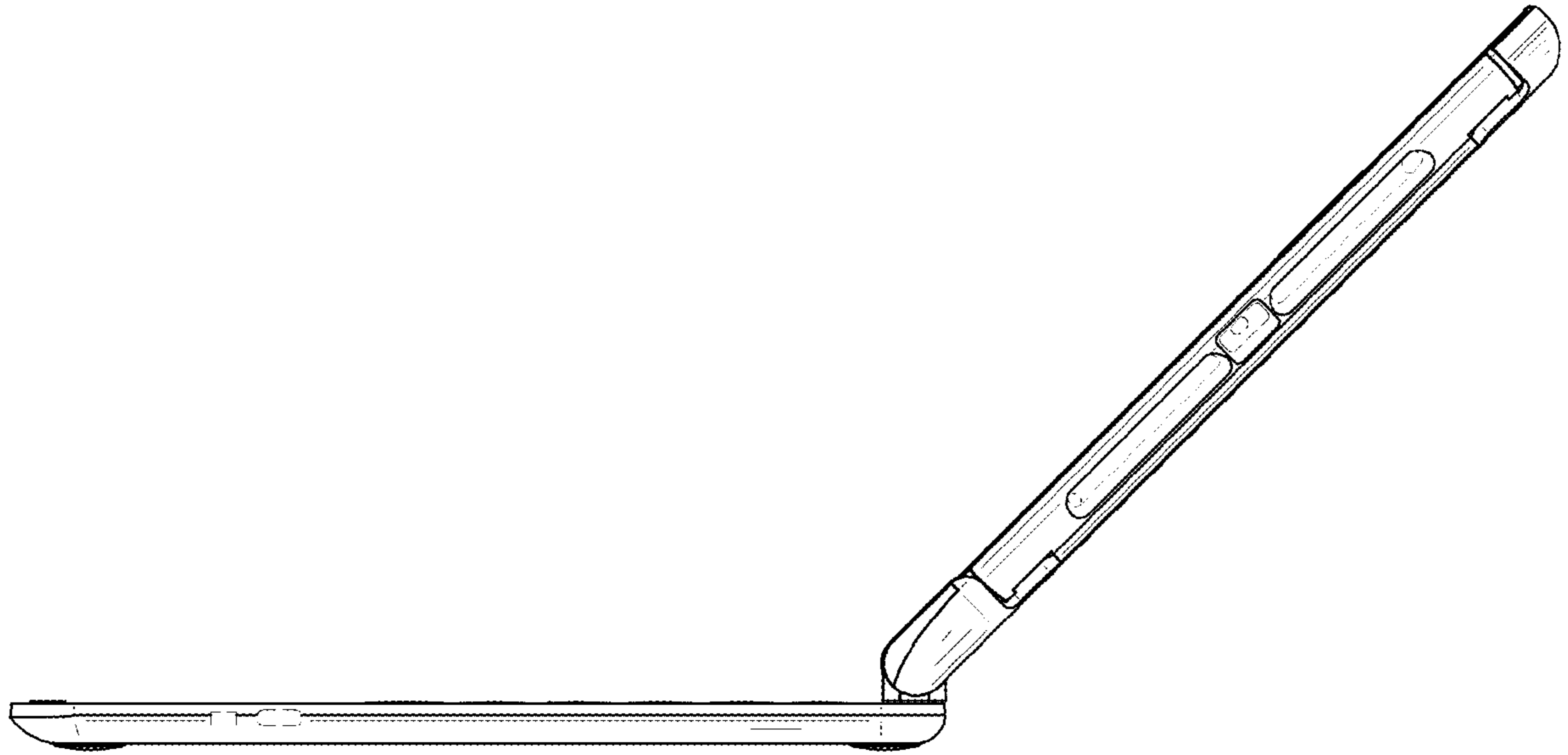


FIG. 6



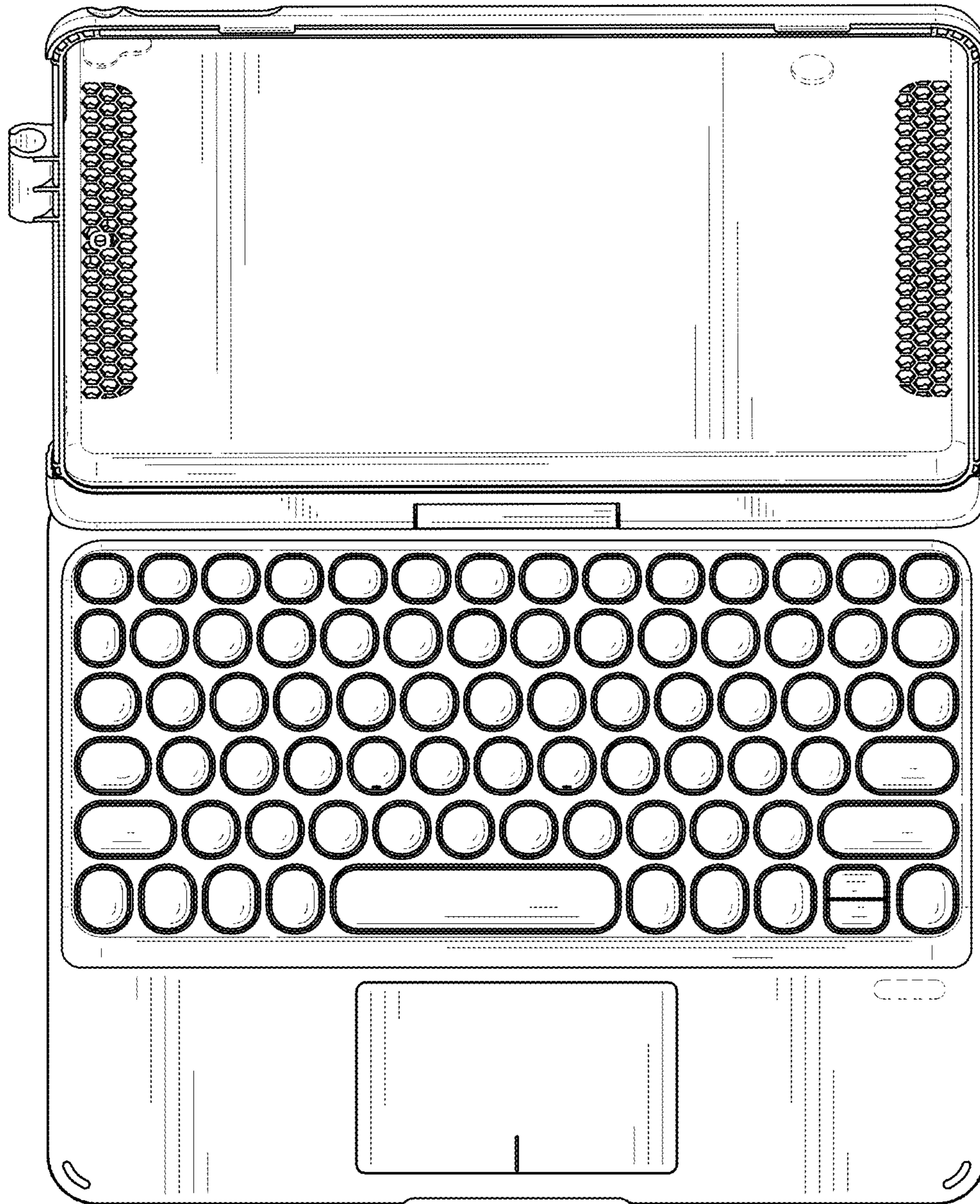


FIG. 7

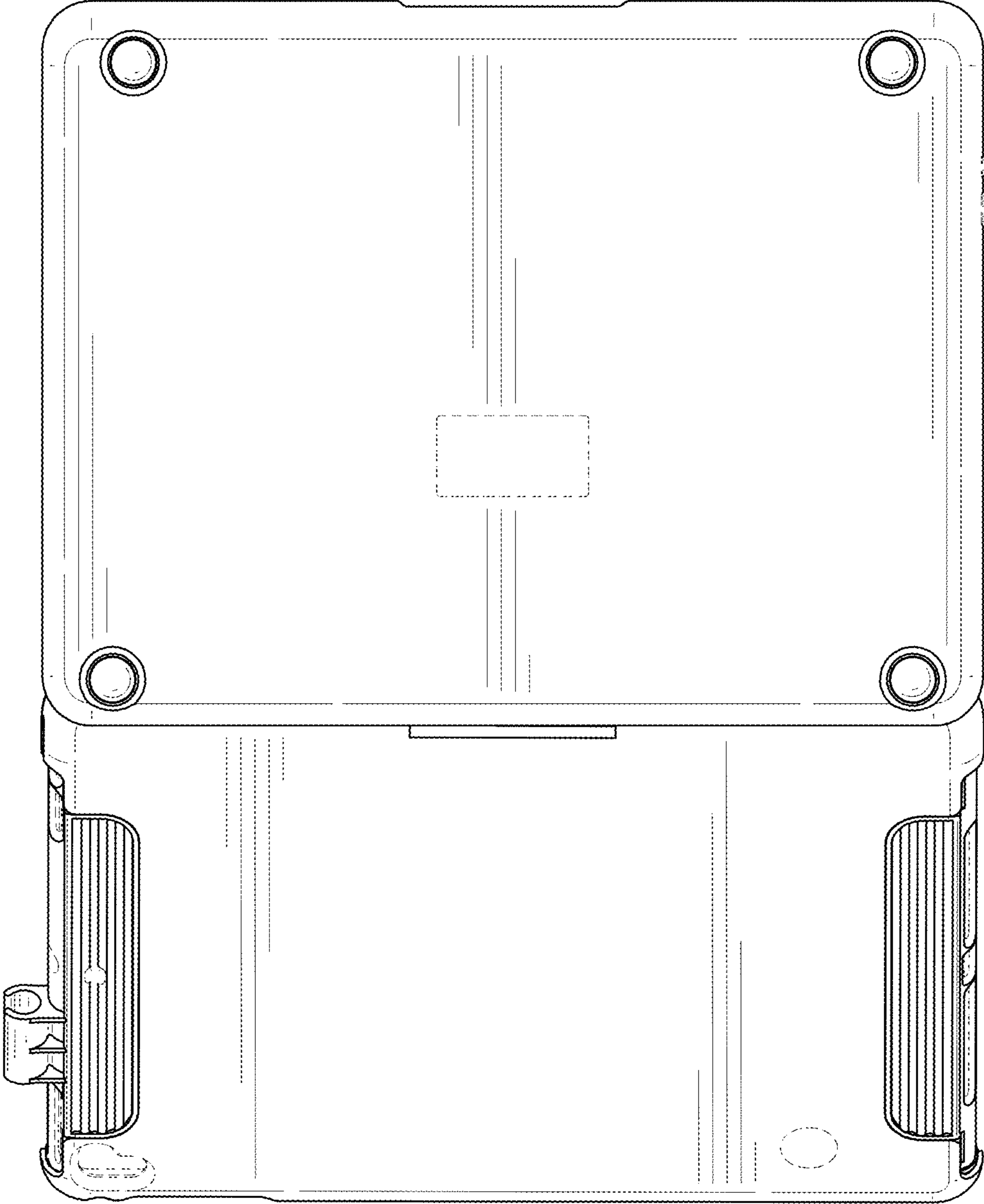


FIG. 8

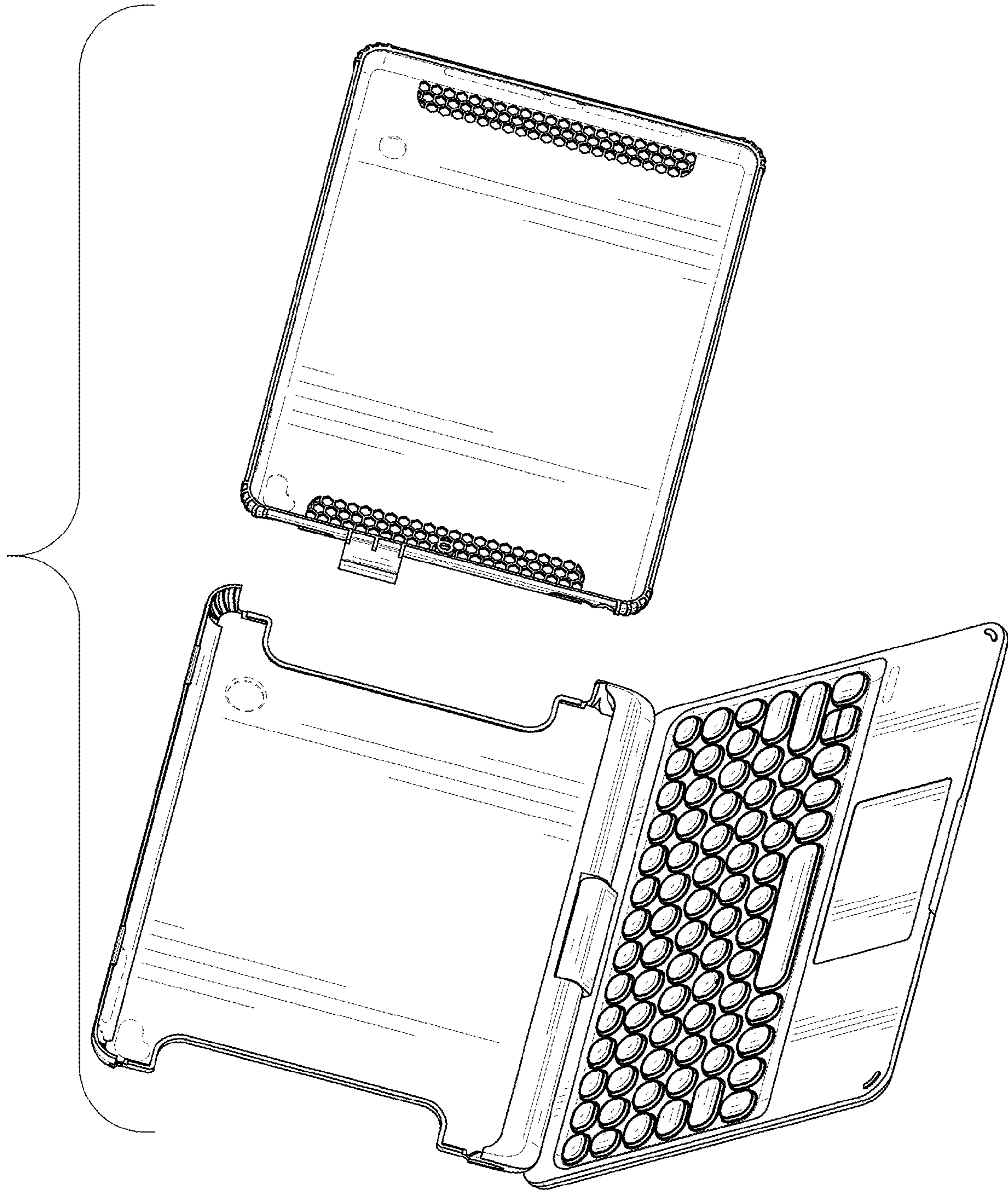


FIG. 9



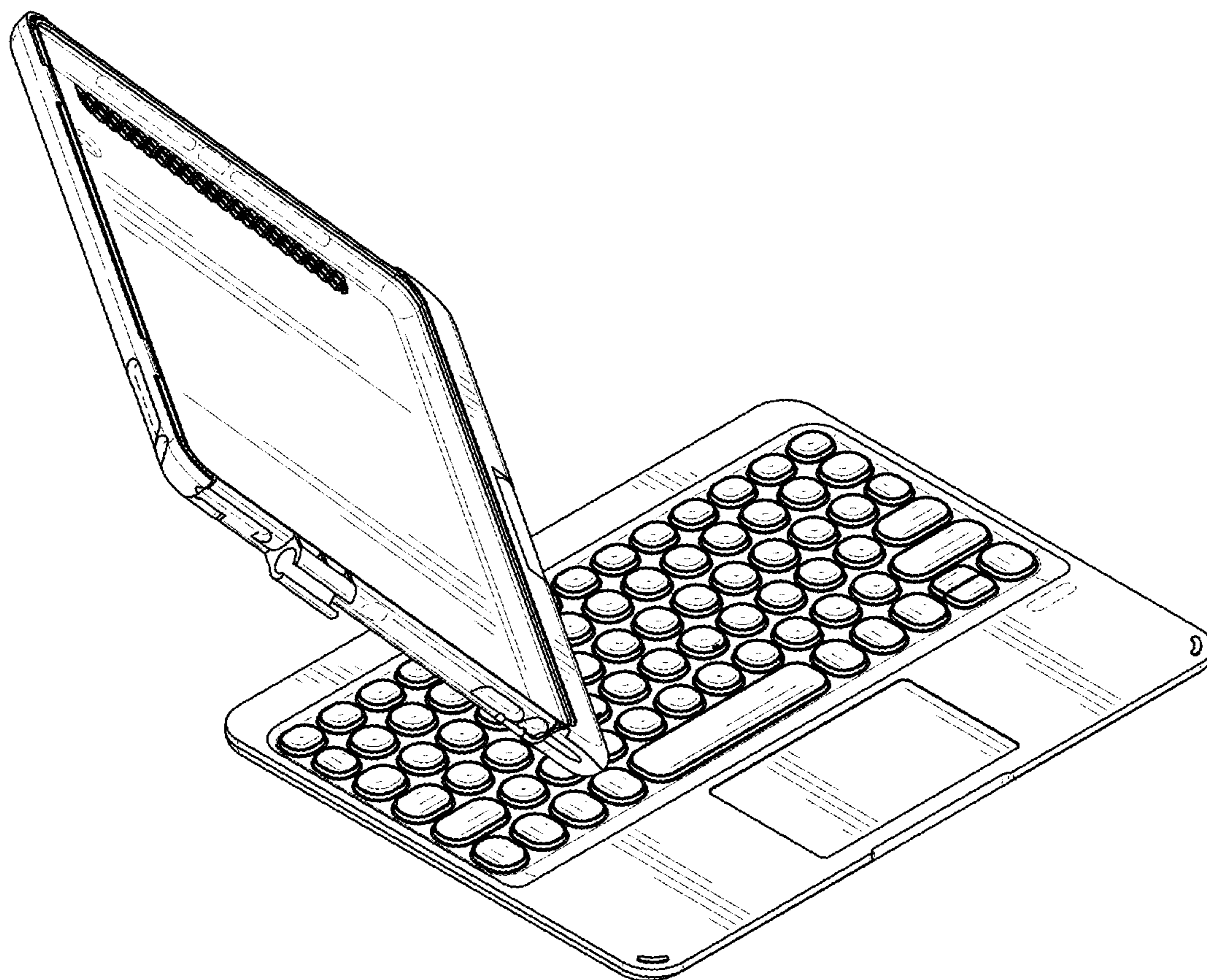


FIG. 10