



US00D885401S

(12) **United States Design Patent** (10) **Patent No.:** **US D885,401 S**
Dukerschein et al. (45) **Date of Patent:** **** May 26, 2020**

(54) **DEVICE CASE**

- (71) Applicant: **Tangible Play, Inc.**, Palo Alto, CA (US)
 (72) Inventors: **Jon Karl Dukerschein**, Pacifica, CA (US); **Mark Solomon**, San Jose, CA (US)
 (73) Assignee: **Tangible Play, Inc.**, Palo Alto, CA (US)
 (**) Term: **15 Years**
 (21) Appl. No.: **29/696,817**
 (22) Filed: **Jul. 1, 2019**

Related U.S. Application Data

- (63) Continuation of application No. 29/669,408, filed on Nov. 7, 2018, now Pat. No. Des. 852,801.
 (51) **LOC (12) Cl.** **14-02**
 (52) **U.S. Cl.**
 USPC **D14/440**
 (58) **Field of Classification Search**
 USPC D14/440, 447, 250, 432; 206/45.23, 320, 206/45.2; 361/679.55; 294/25; 224/218
 CPC G06F 1/1628; G06F 1/1626; A47B 23/044
 See application file for complete search history.

(56) **References Cited**

U.S. PATENT DOCUMENTS

D312,533 S	*	12/1990	Rolfs	D3/250
D346,618 S	*	5/1994	Holmes	D19/32
D429,068 S	*	8/2000	Kleinsmith	D3/247
D674,801 S	*	1/2013	Wharram	D13/102
D688,249 S	*	8/2013	Wharram	D14/440
D697,060 S	*	1/2014	Yang	D14/250
D704,693 S		5/2014	Kim		

(Continued)

Primary Examiner — Cynthia R Underwood

(74) *Attorney, Agent, or Firm* — Patent Law Works LLP

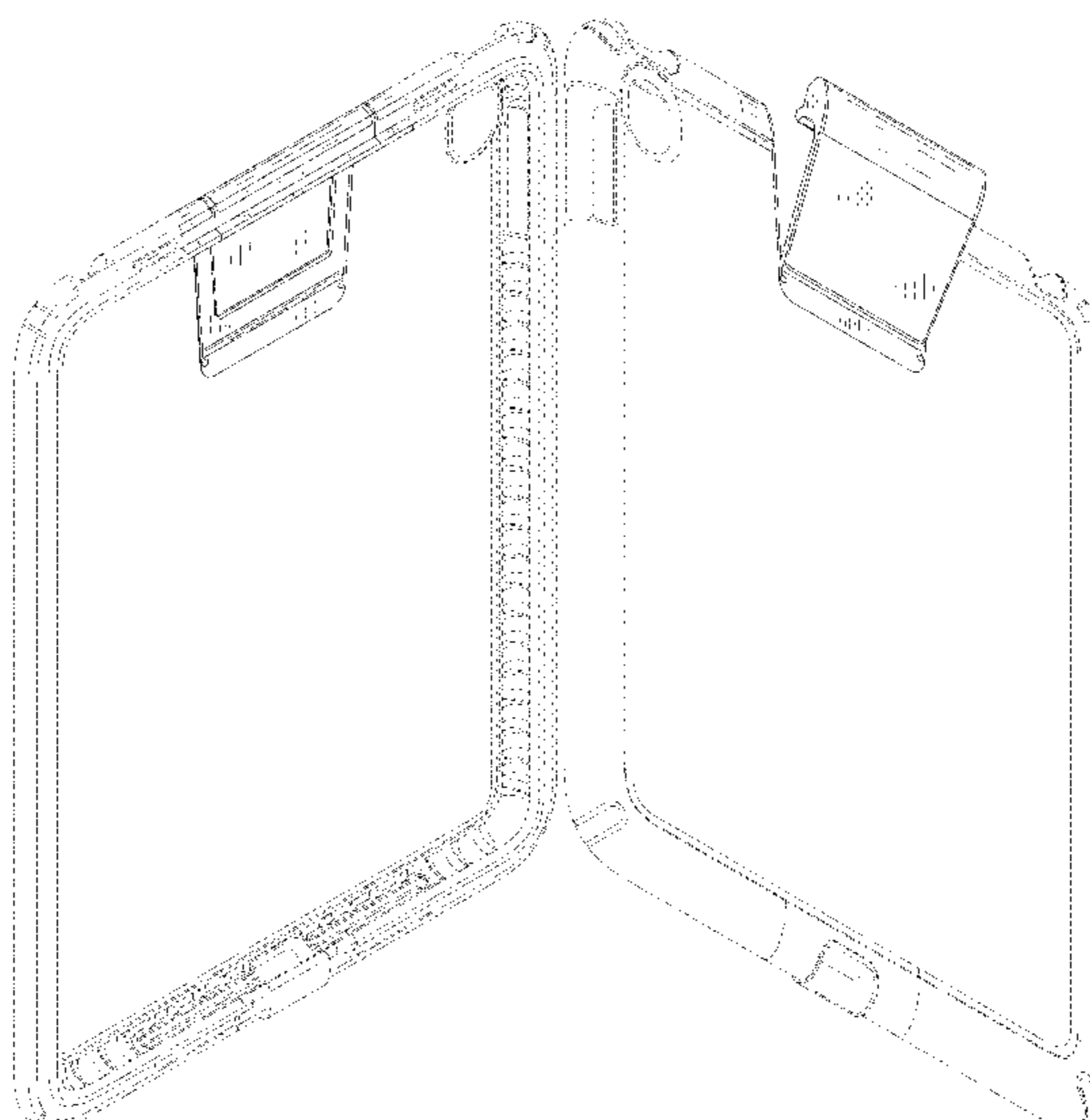
(57) **CLAIM**

The ornamental design for a device case, as shown and described.

DESCRIPTION

FIG. 1 is a front, left perspective view of a device case.
 FIG. 2 is a bottom, rear perspective view thereof.
 FIG. 3 is a top view thereof.
 FIG. 4 is a bottom view thereof.
 FIG. 5 is a left side view thereof.
 FIG. 6 is a right side view thereof.
 FIG. 7 is a front view thereof.
 FIG. 8 is a rear view thereof.
 FIG. 9 is a front, left perspective view of the device case shown in an open configuration.
 FIG. 10 is a bottom, rear perspective view thereof.
 FIG. 11 is a top view thereof.
 FIG. 12 is a bottom view thereof.
 FIG. 13 is a left side view thereof.
 FIG. 14 is a right side view thereof.
 FIG. 15 is a front view thereof.
 FIG. 16 is a rear view thereof.
 FIG. 17 is a front, left perspective view depicting a first disclaimed context.
 FIG. 18 is a bottom, rear perspective view thereof.
 FIG. 19 is a top view thereof.
 FIG. 20 is a bottom view thereof.
 FIG. 21 is a left side view thereof.
 FIG. 22 is a right side view thereof.
 FIG. 23 is a front view thereof.
 FIG. 24 is a rear view thereof.
 FIG. 25 is a front, left perspective view depicting a second disclaimed context; and,
 FIG. 26 is a bottom, rear perspective view thereof.
 Within the drawings, the broken lines show unclaimed portions of the device case, and form no part of the claimed design.

1 Claim, 21 Drawing Sheets



(56)

References Cited

U.S. PATENT DOCUMENTS

D733,714 S	7/2015	Ballou et al.	
D753,125 S *	4/2016	Hsu	D14/440
D810,088 S	2/2018	Moore et al.	
D812,622 S	3/2018	Moon	
D827,651 S	9/2018	Brown et al.	
D839,275 S	1/2019	Moore et al.	
2012/0043235 A1	2/2012	Klement	

* cited by examiner

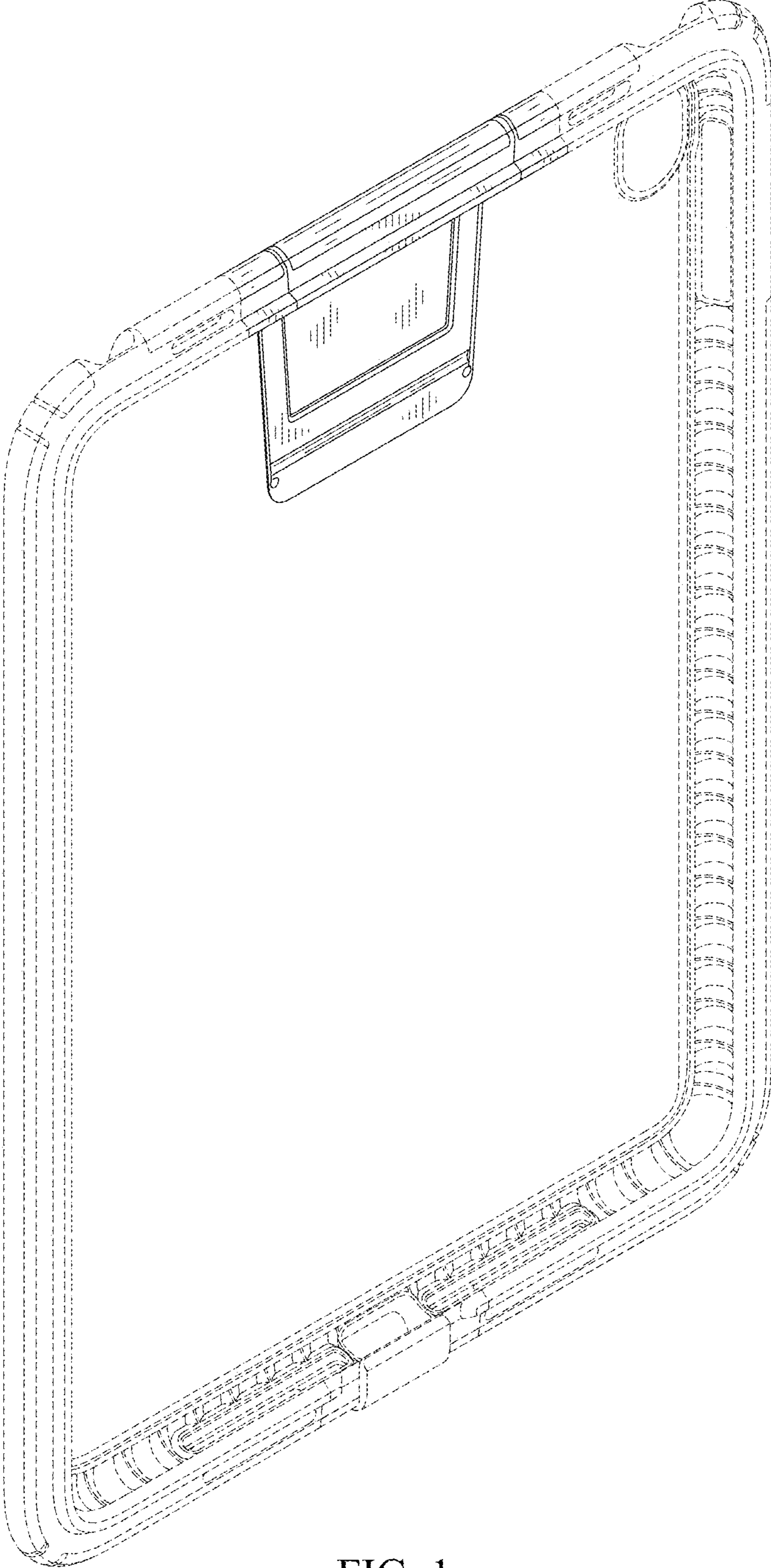


FIG. 1

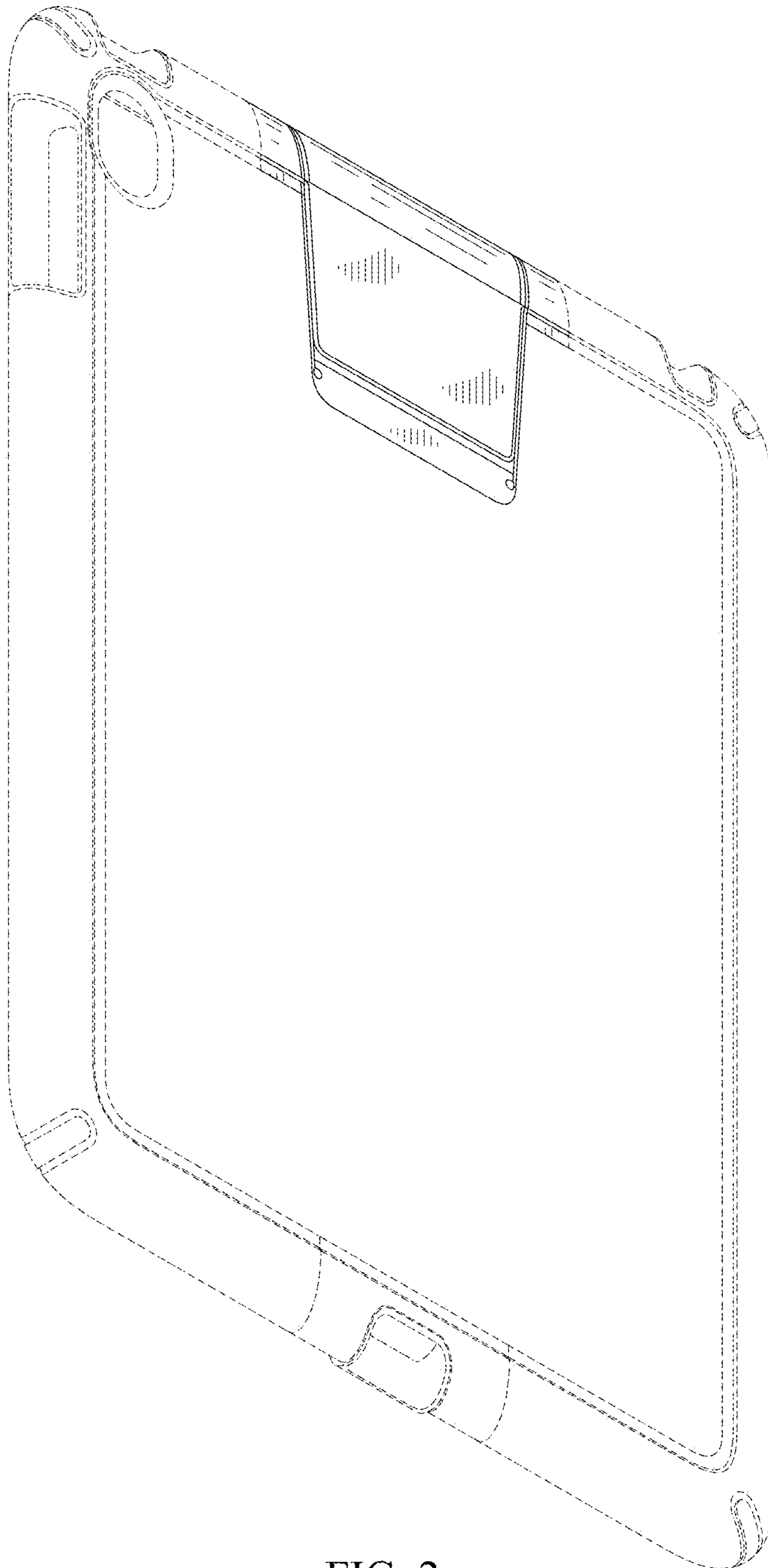


FIG. 2

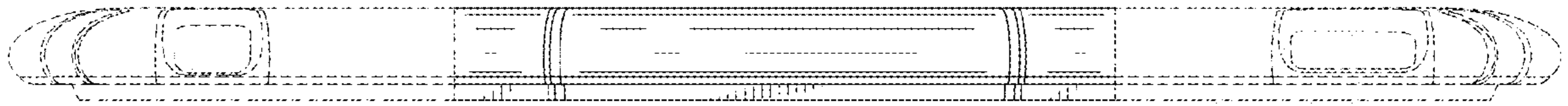


FIG. 3

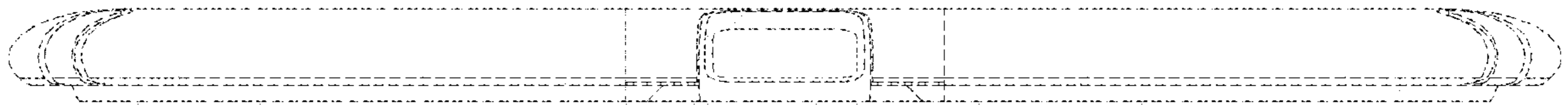


FIG. 4

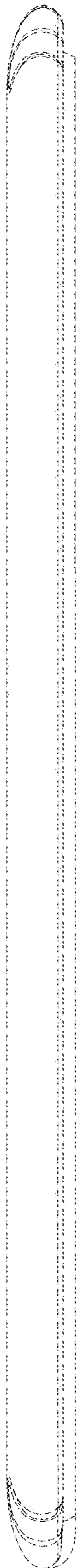


FIG. 5

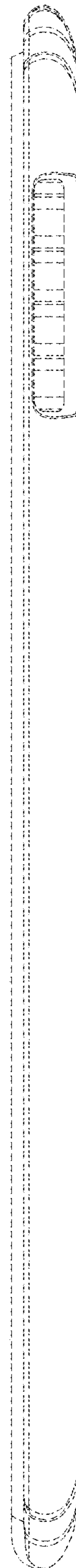


FIG. 6

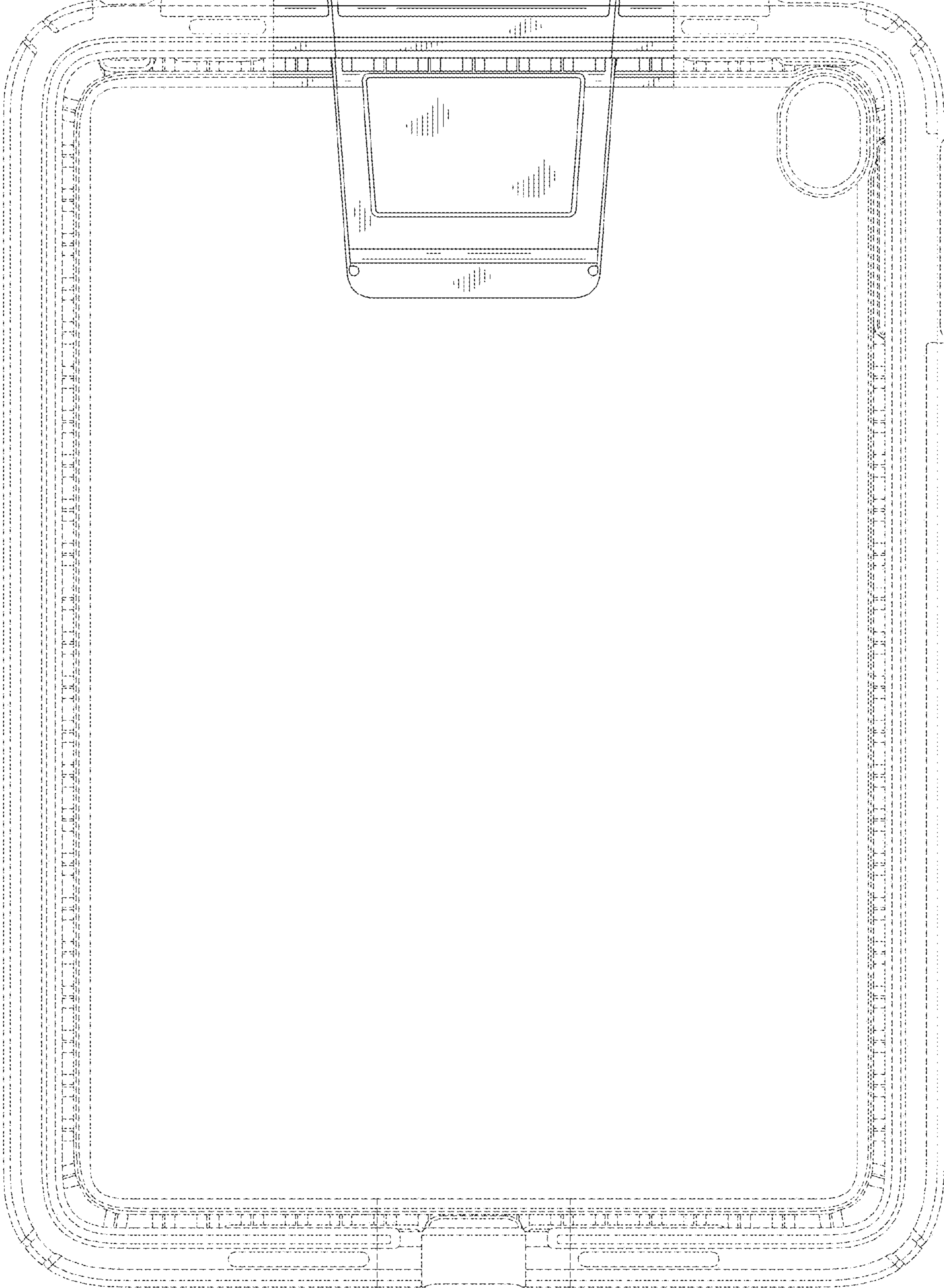


FIG. 7

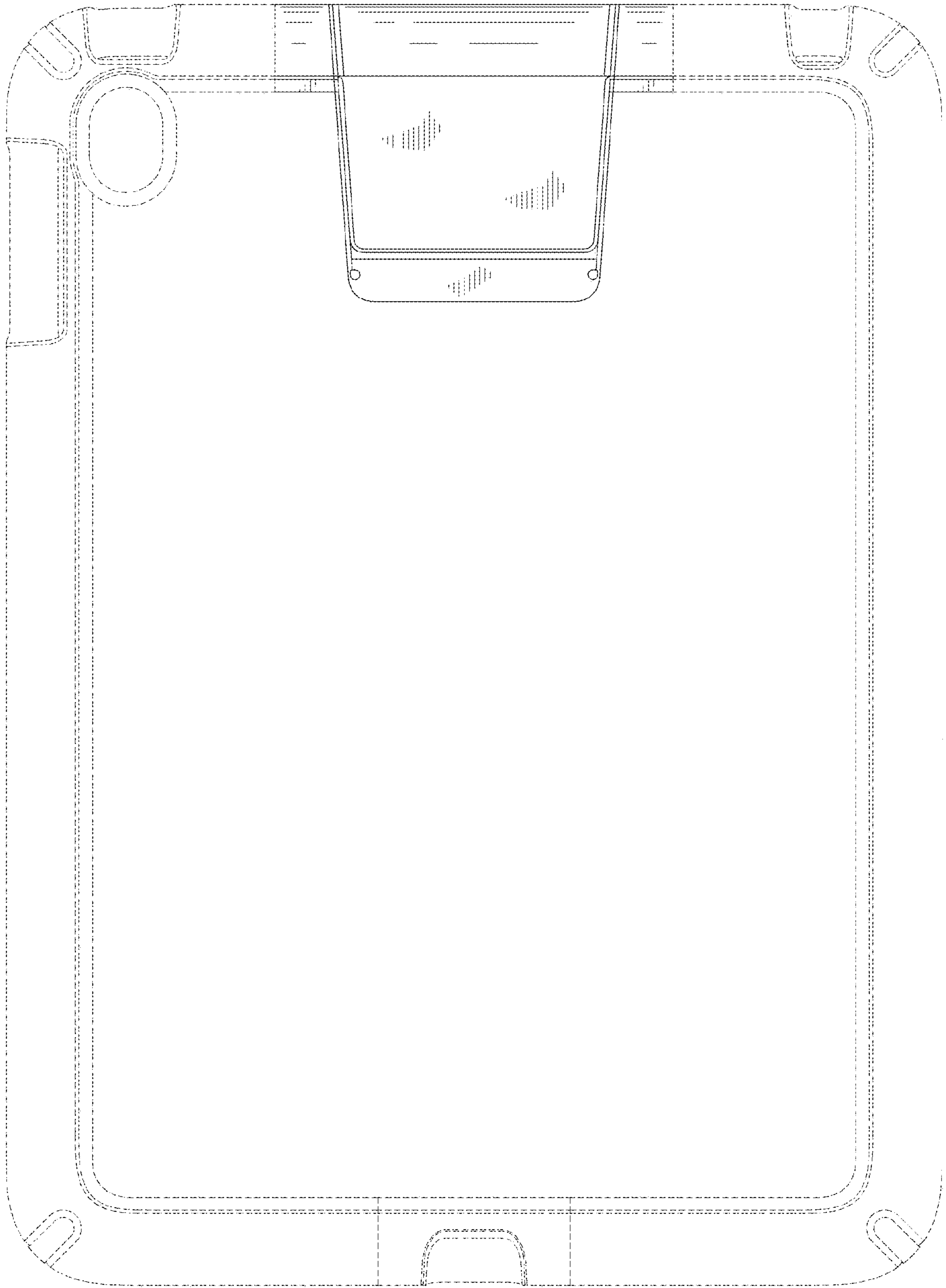


FIG. 8

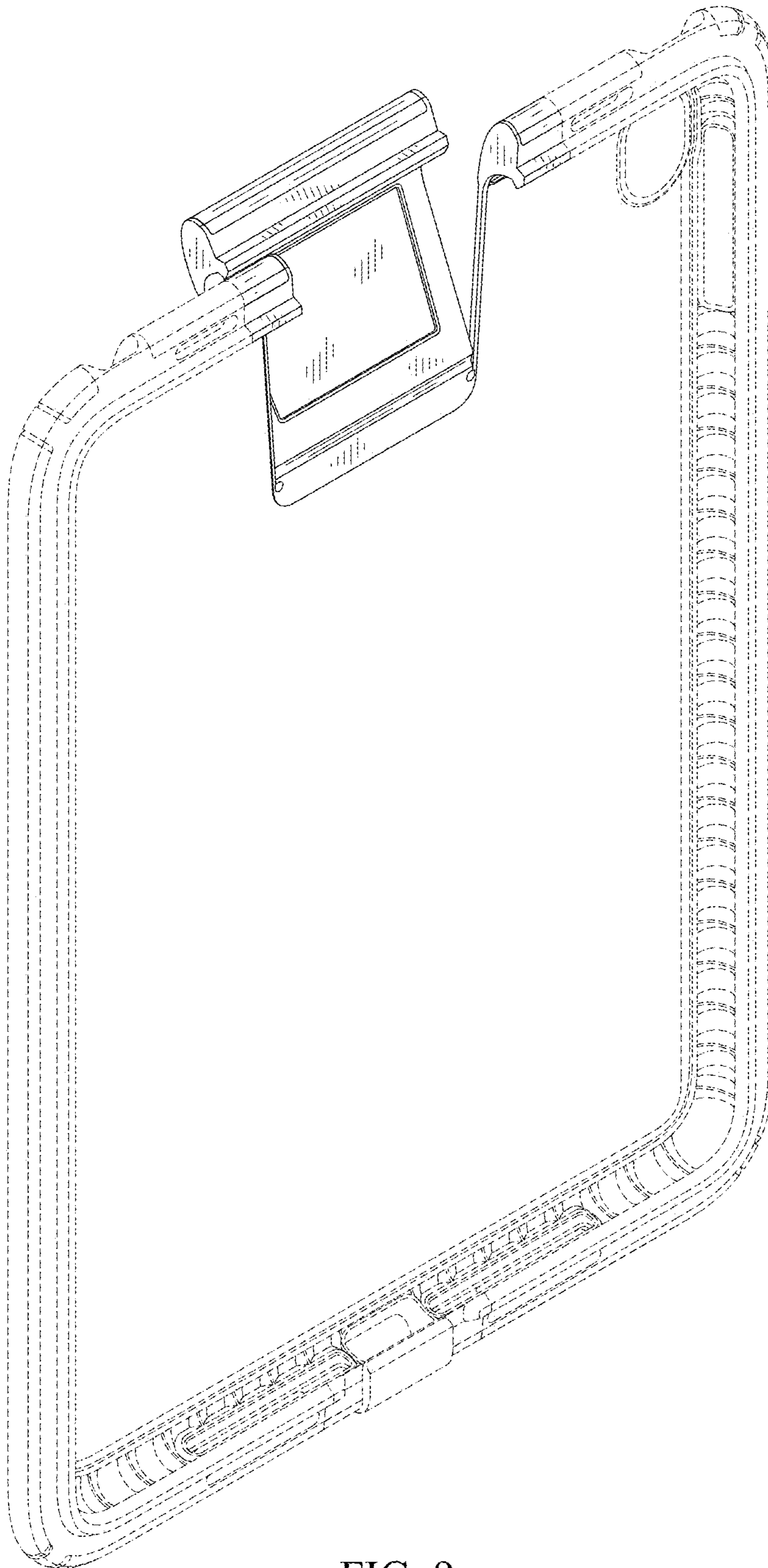


FIG. 9

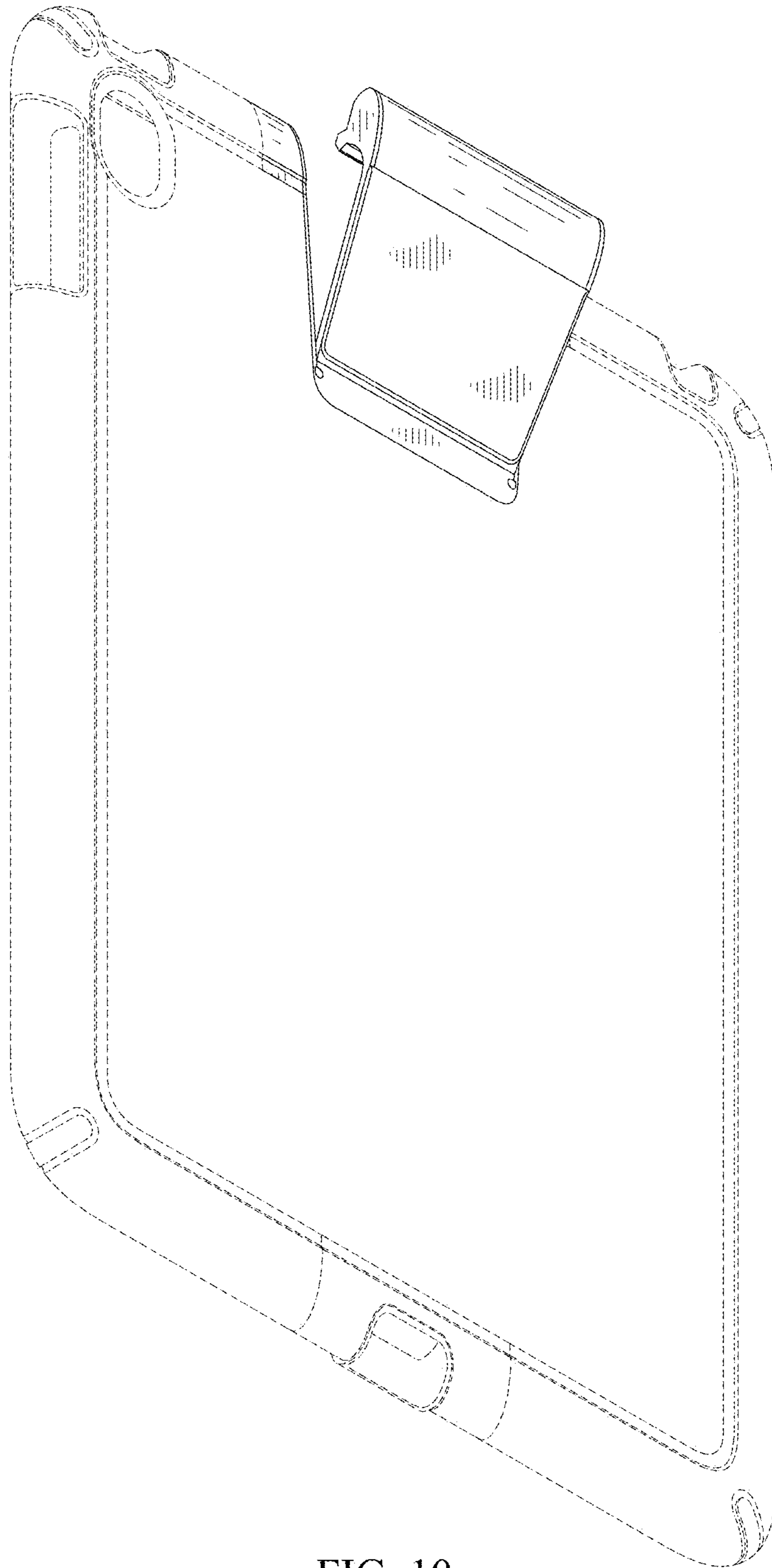


FIG. 10

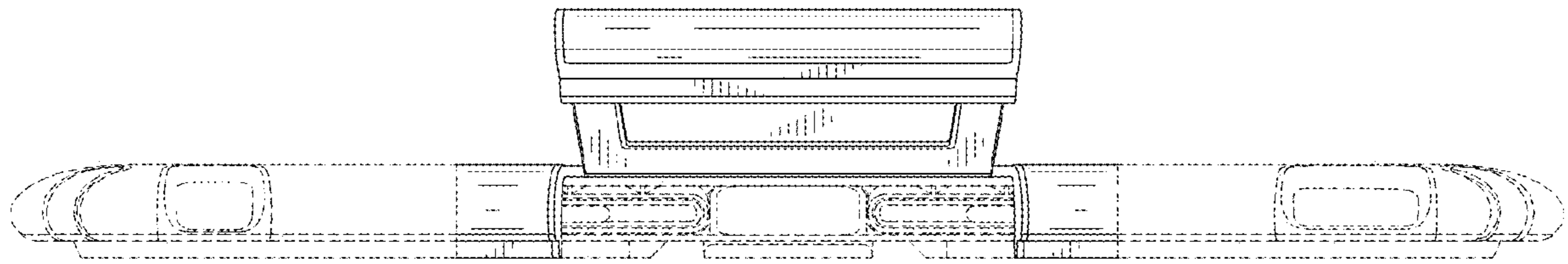


FIG. 11

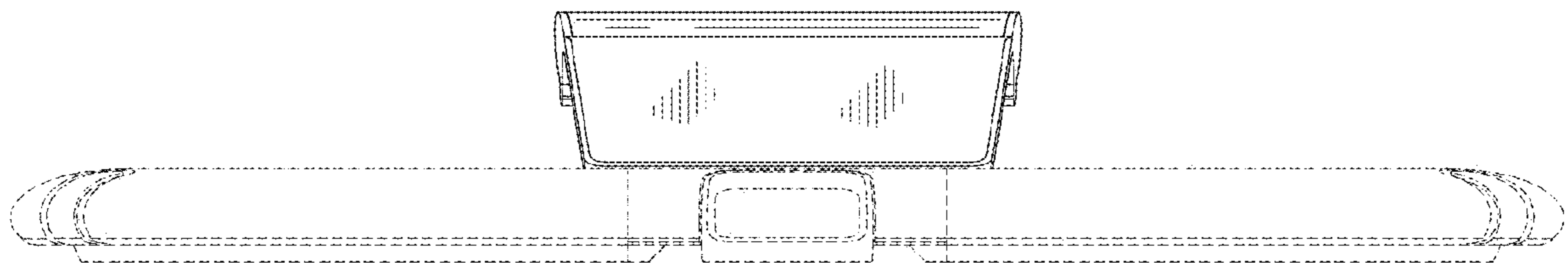


FIG. 12

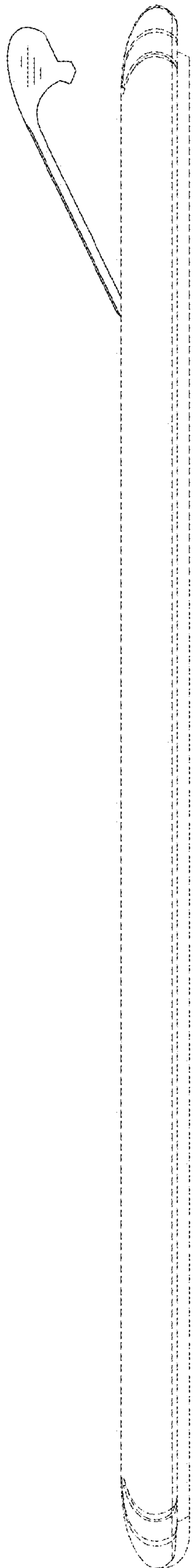


FIG. 13

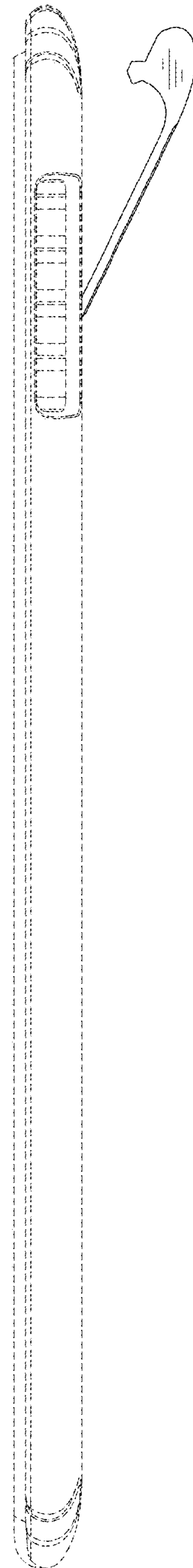


FIG. 14

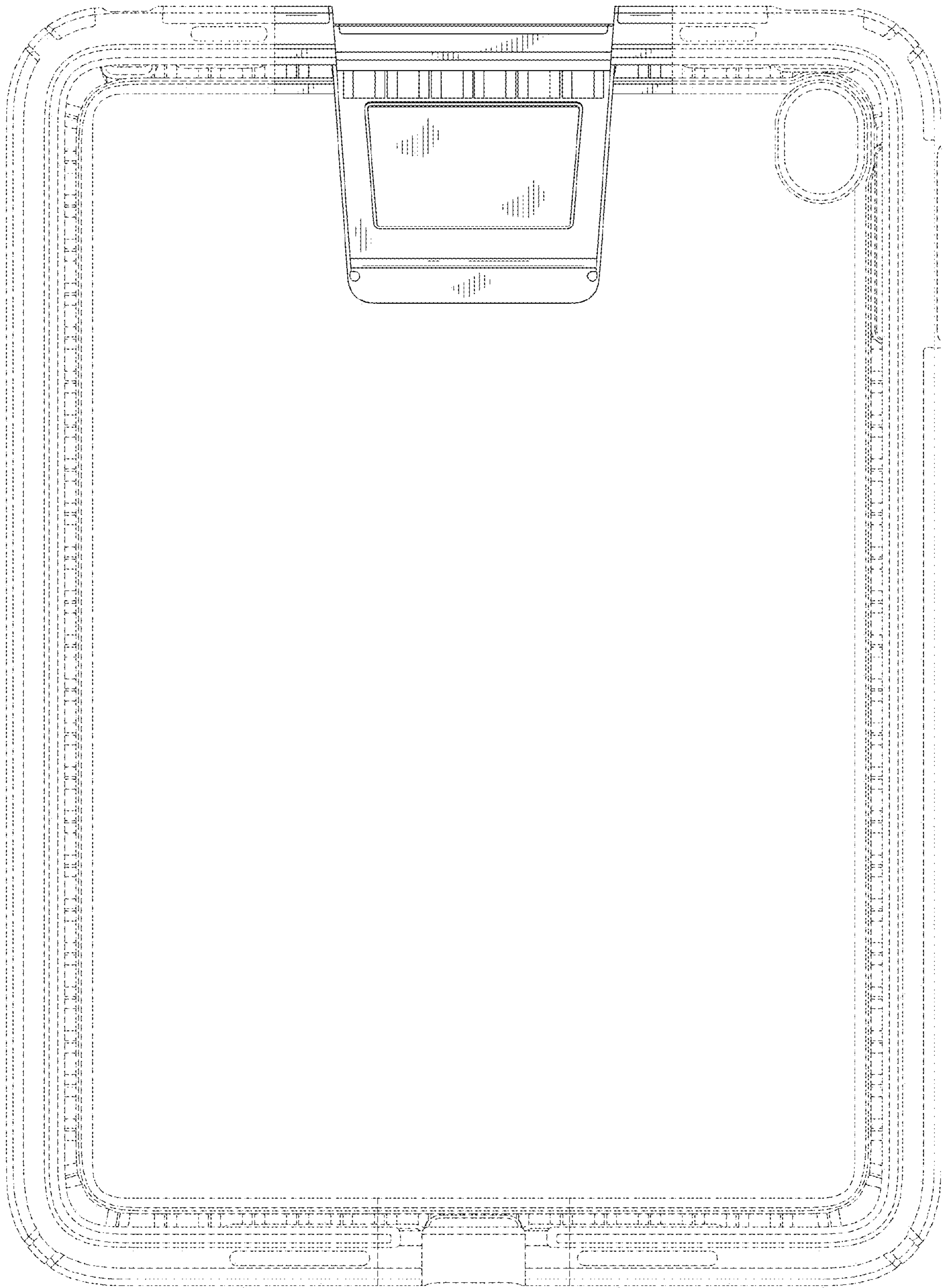


FIG. 15

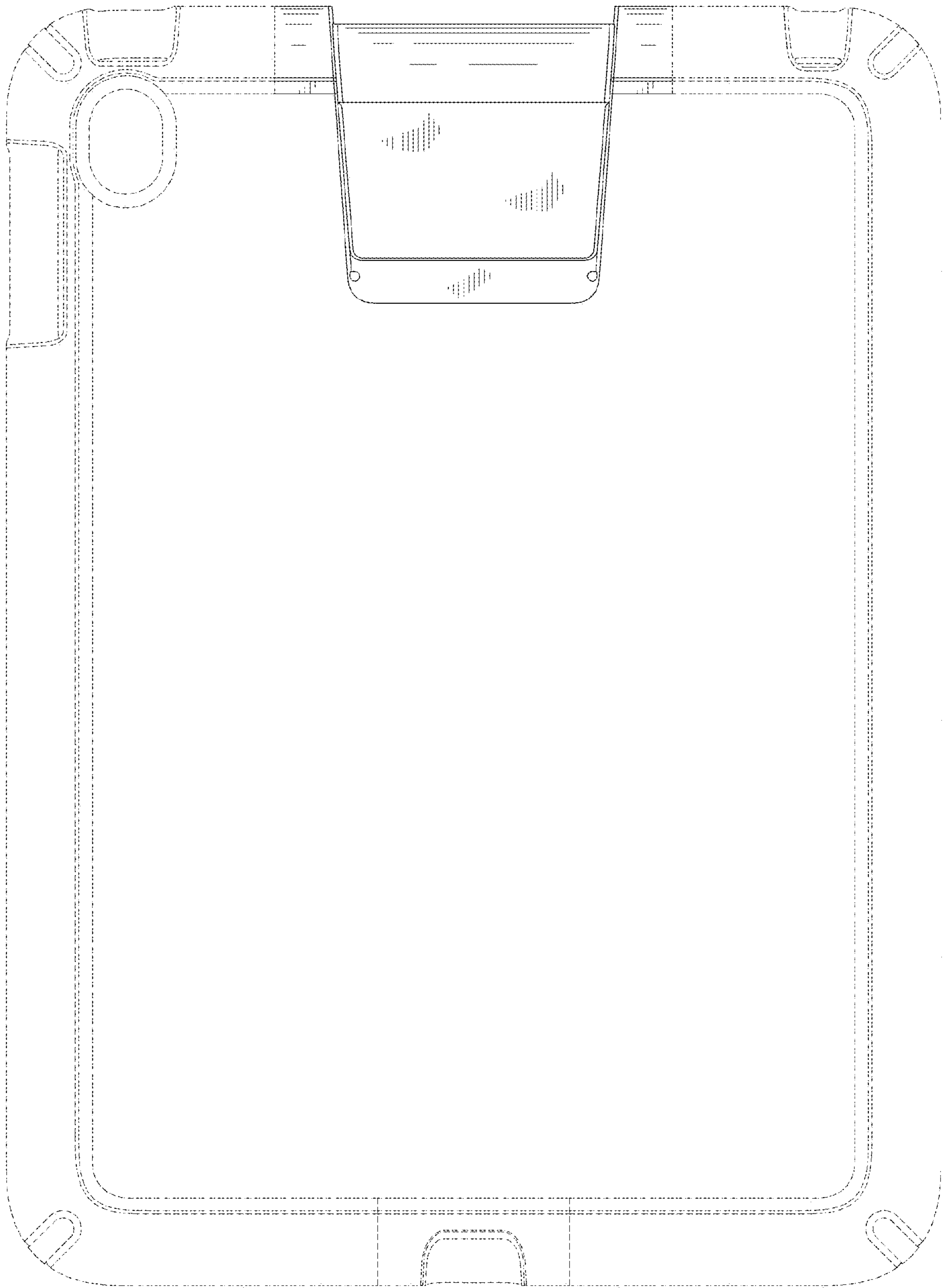


FIG. 16

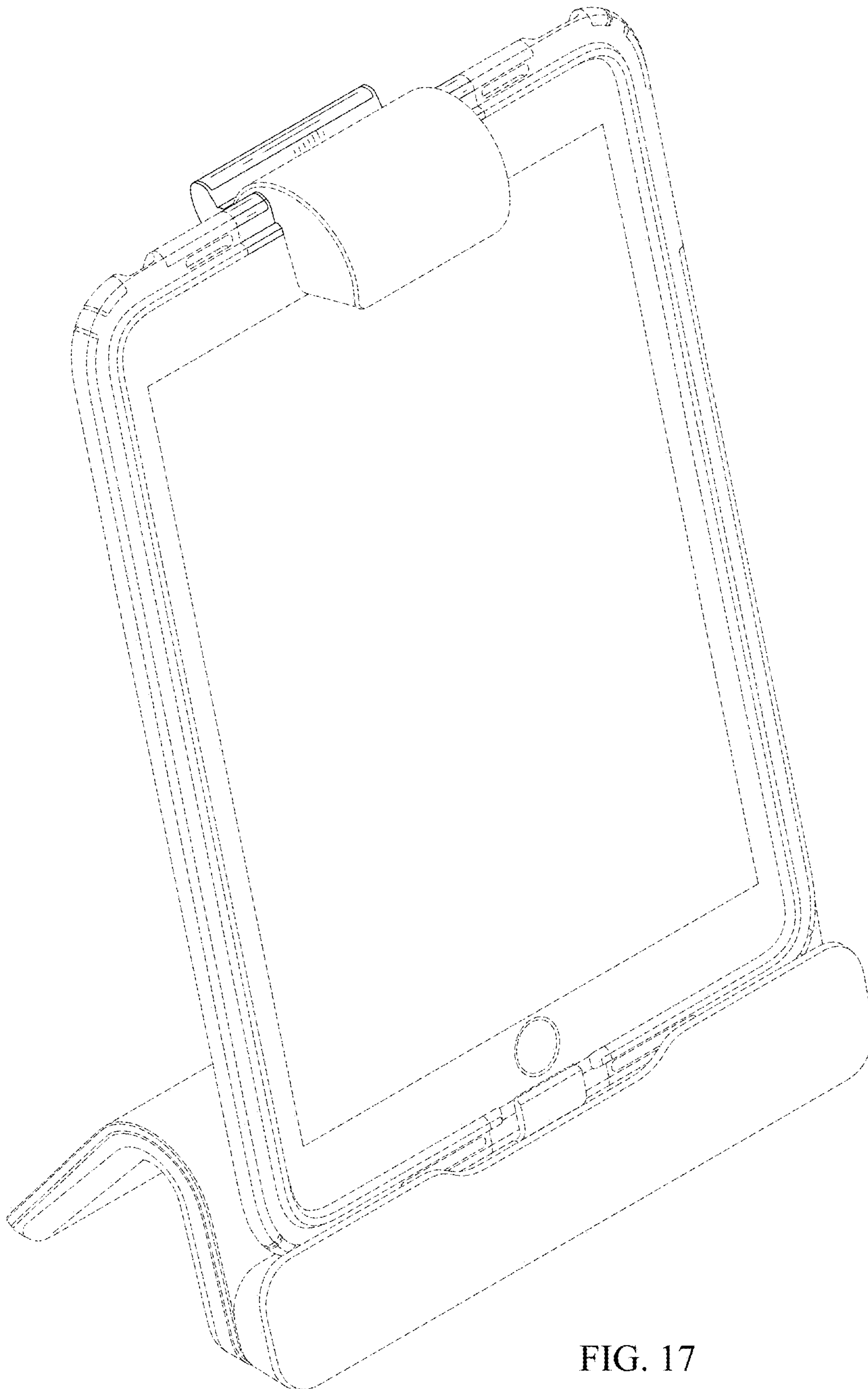


FIG. 17

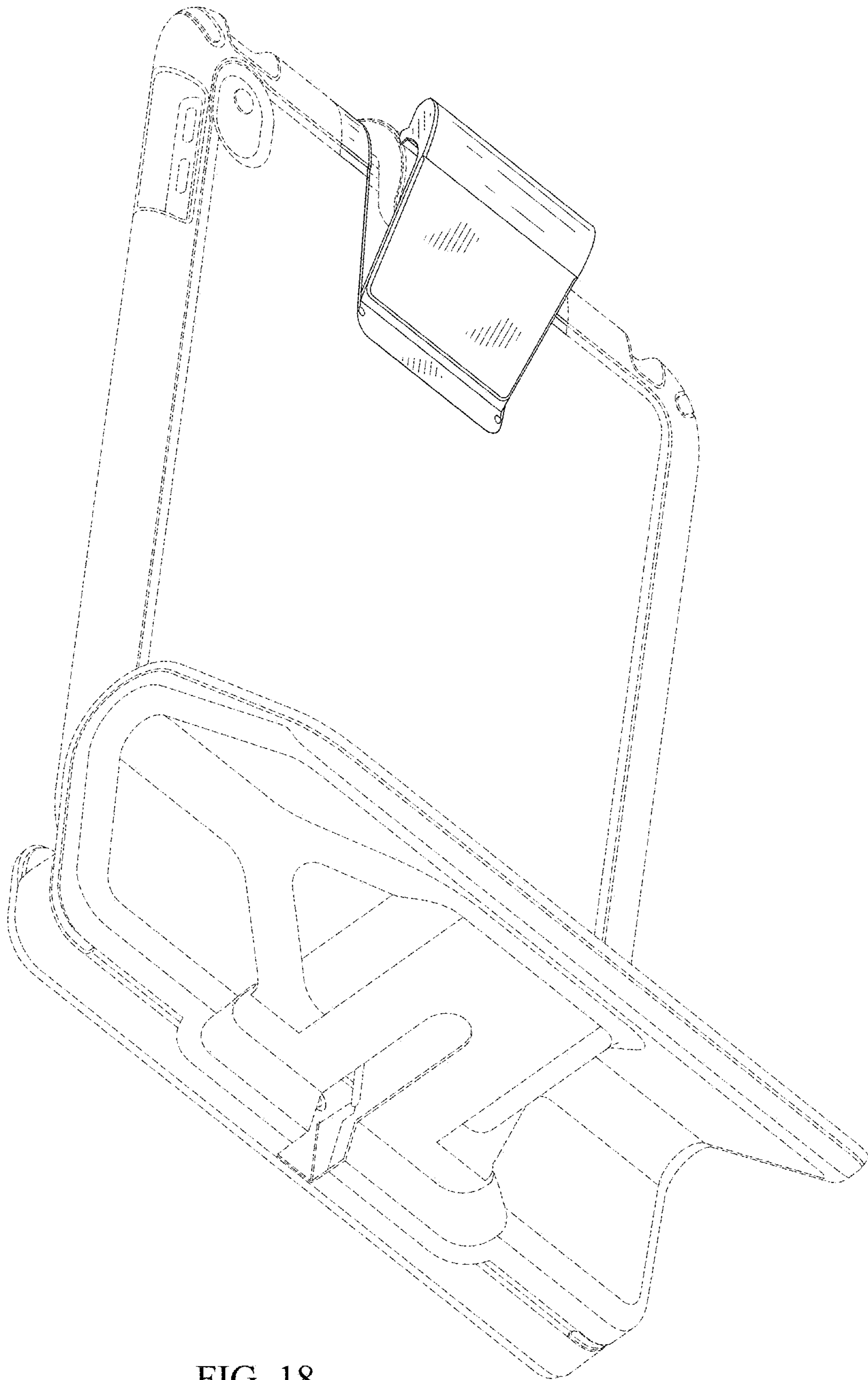


FIG. 18

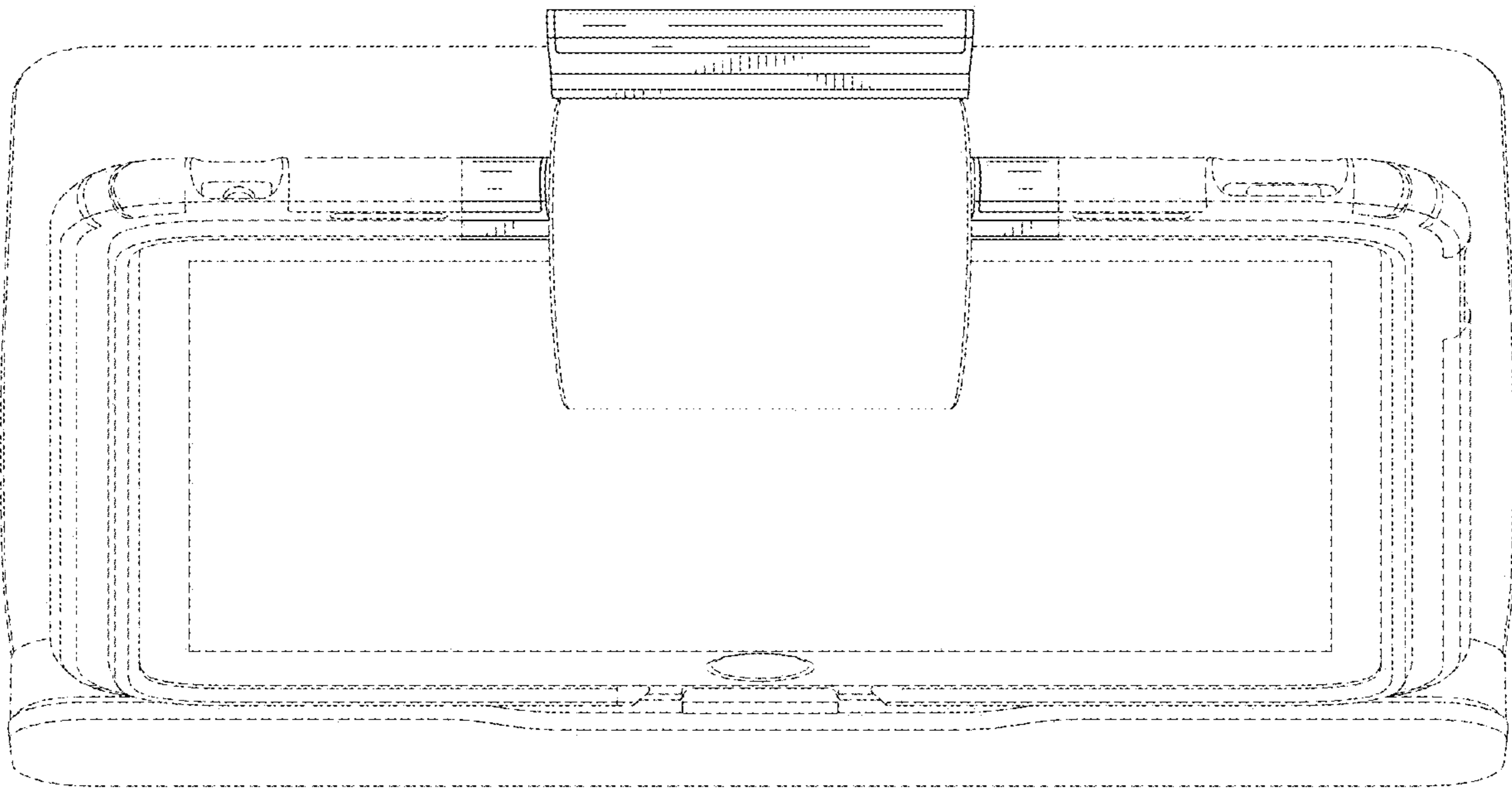


FIG. 19

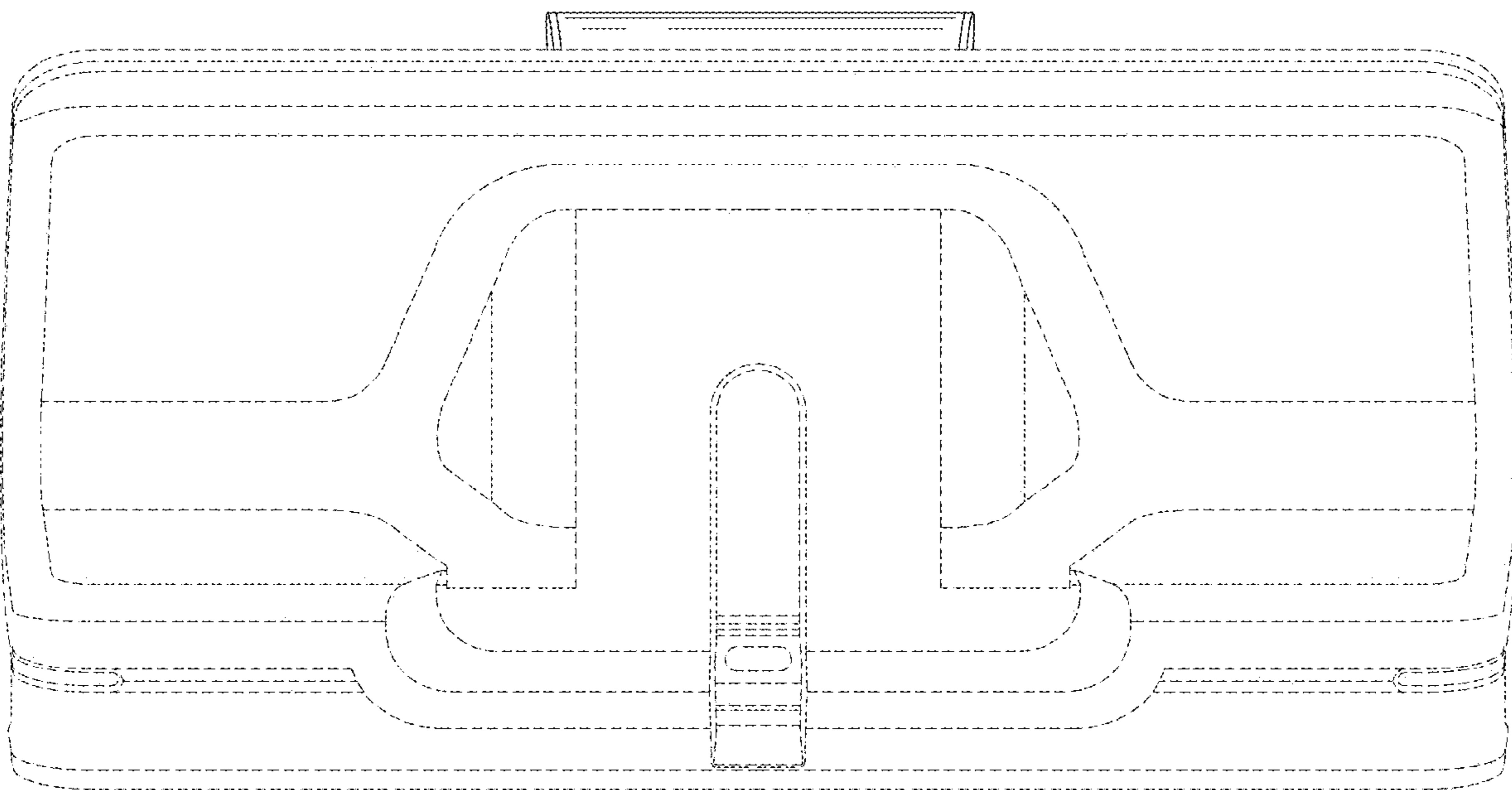


FIG. 20

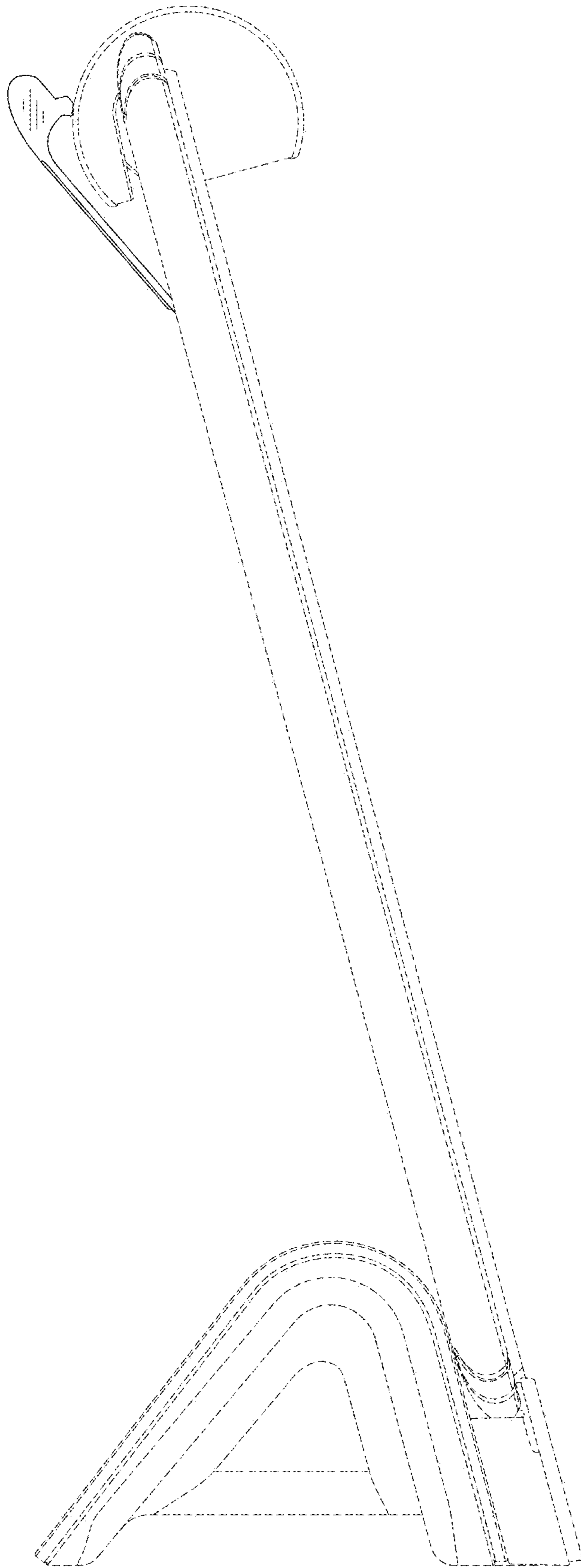


FIG. 21

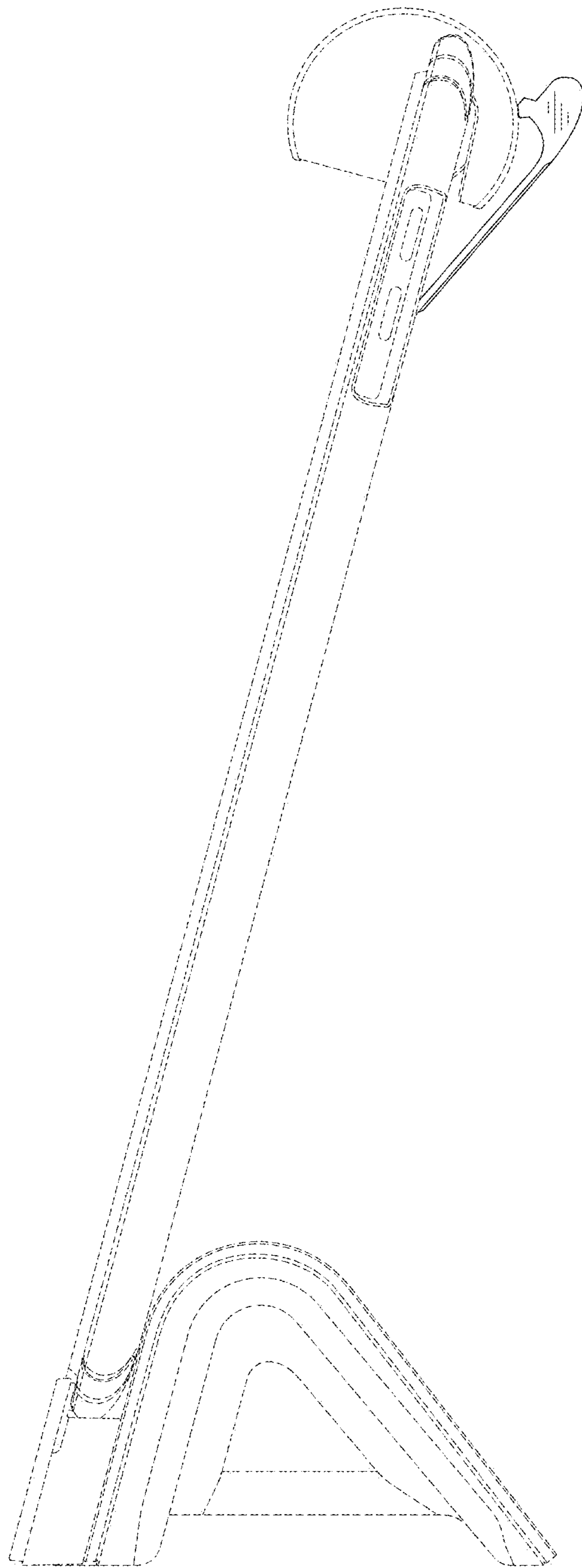


FIG. 22

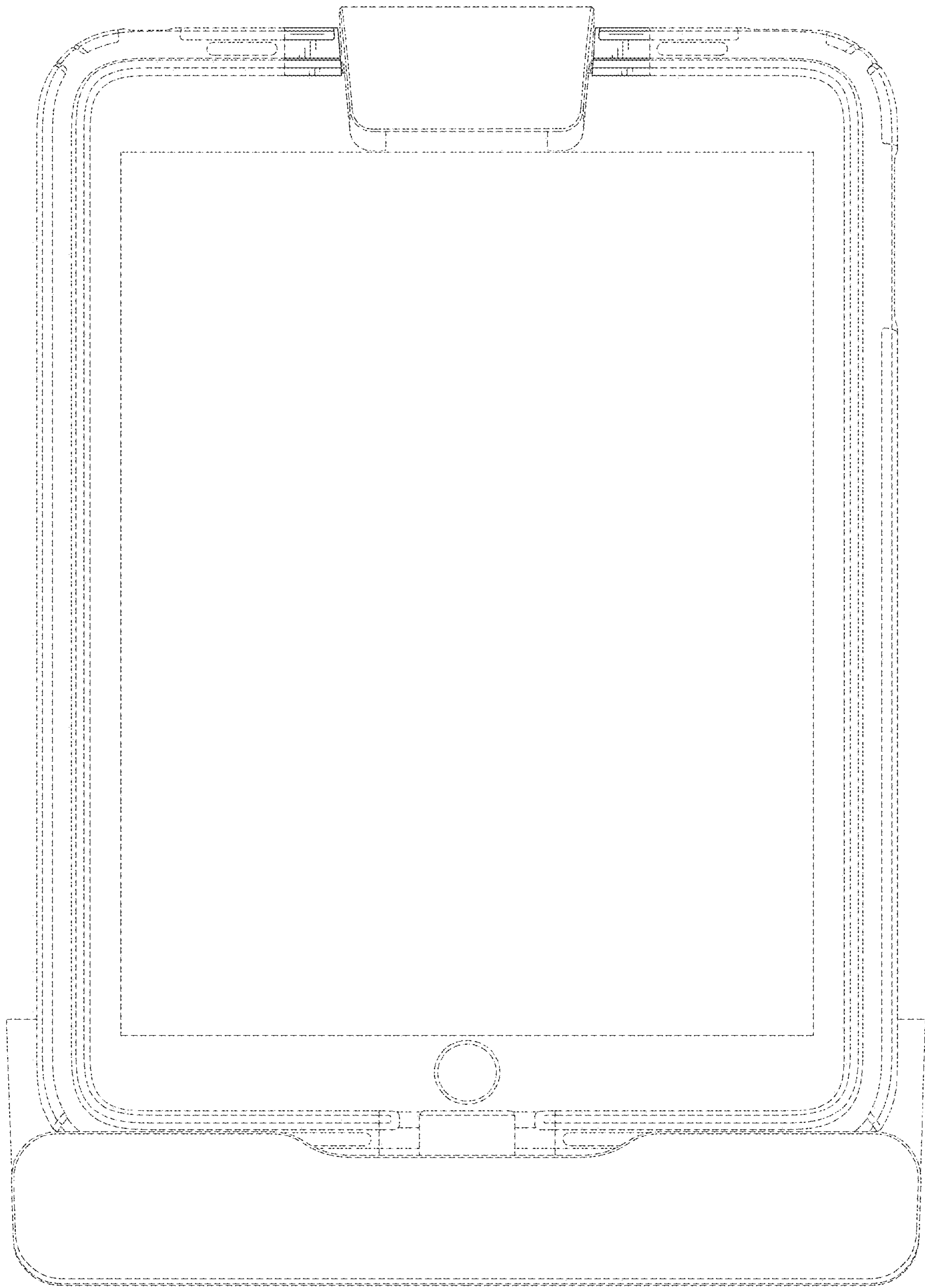


FIG. 23

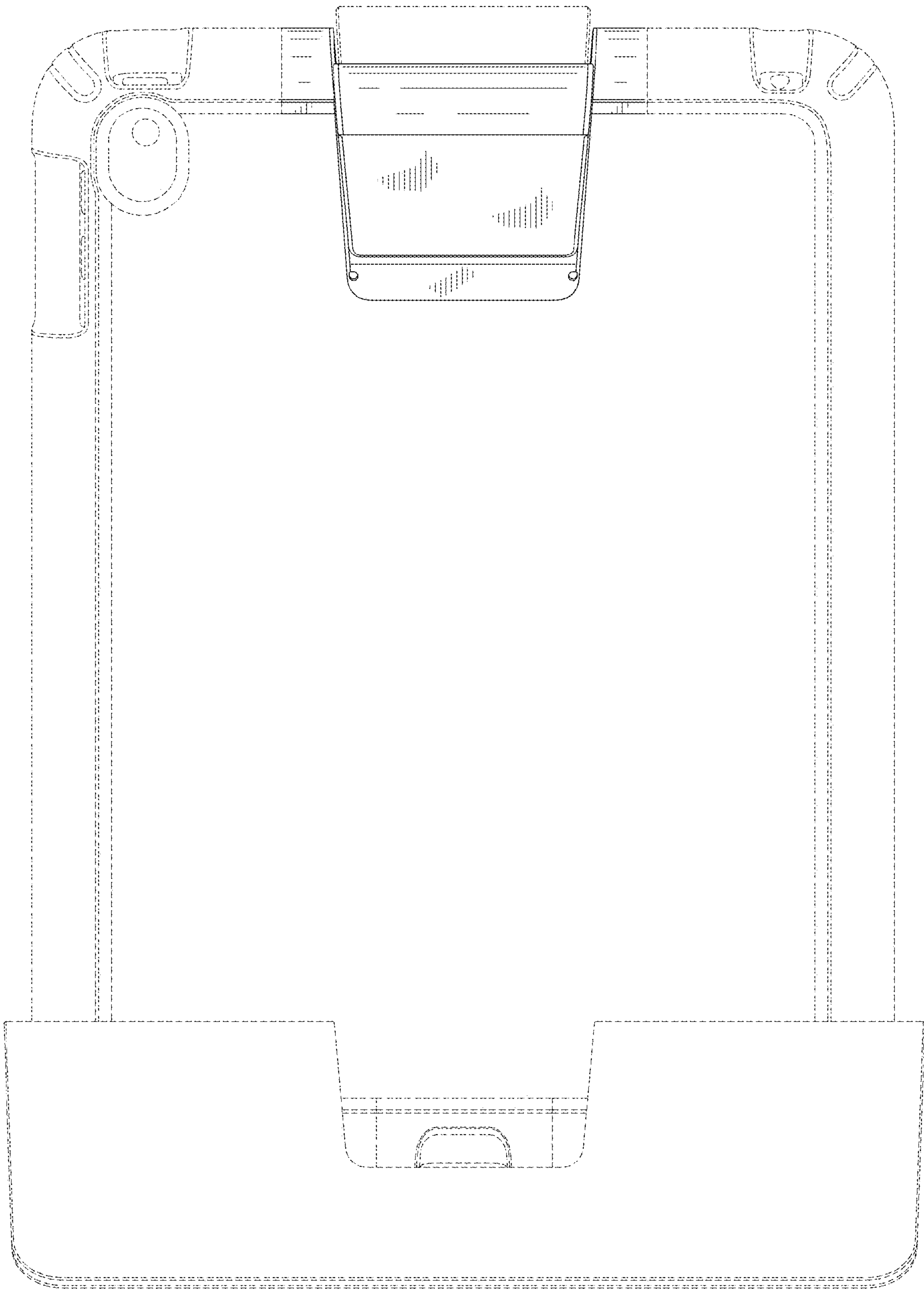


FIG. 24

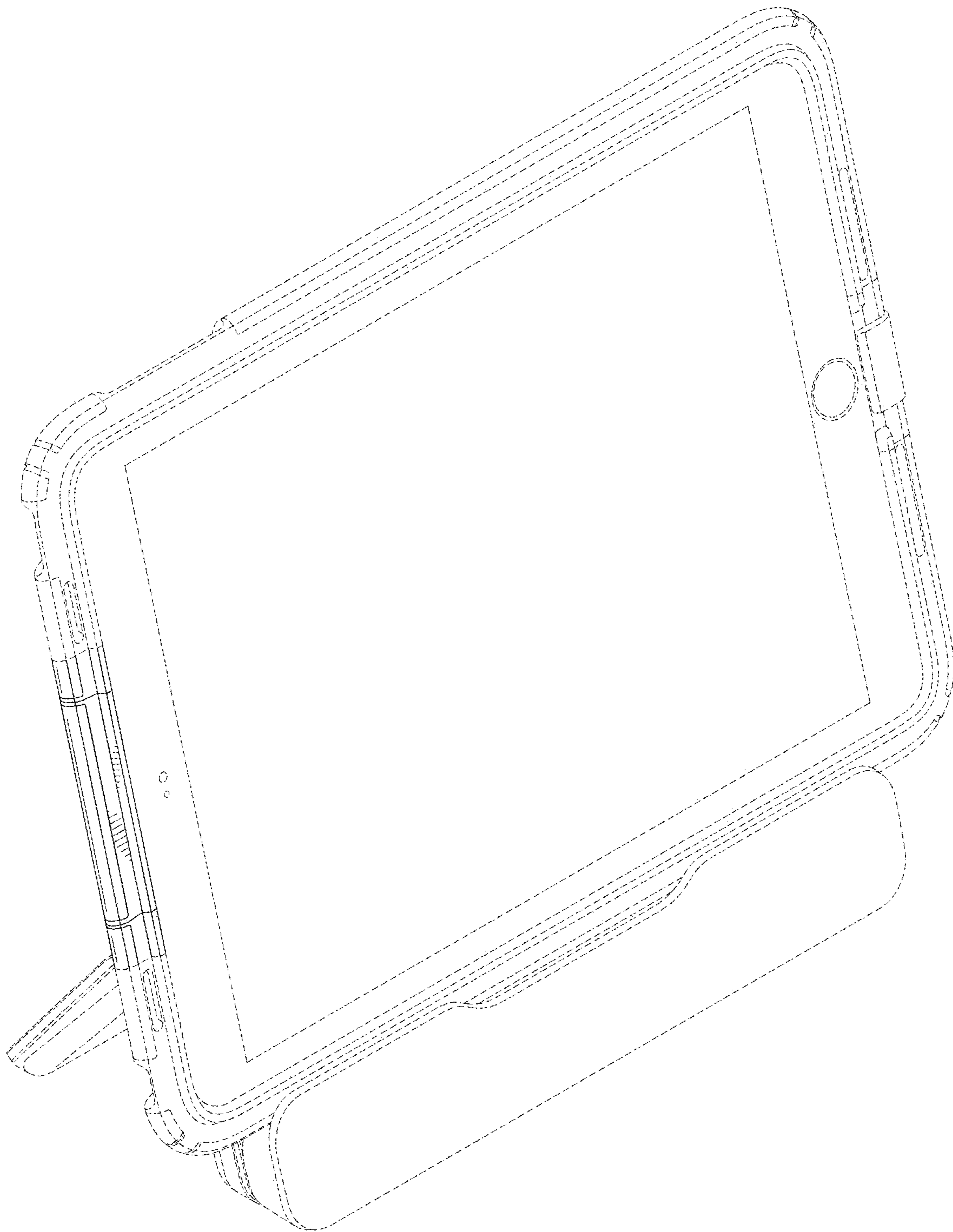


FIG. 25

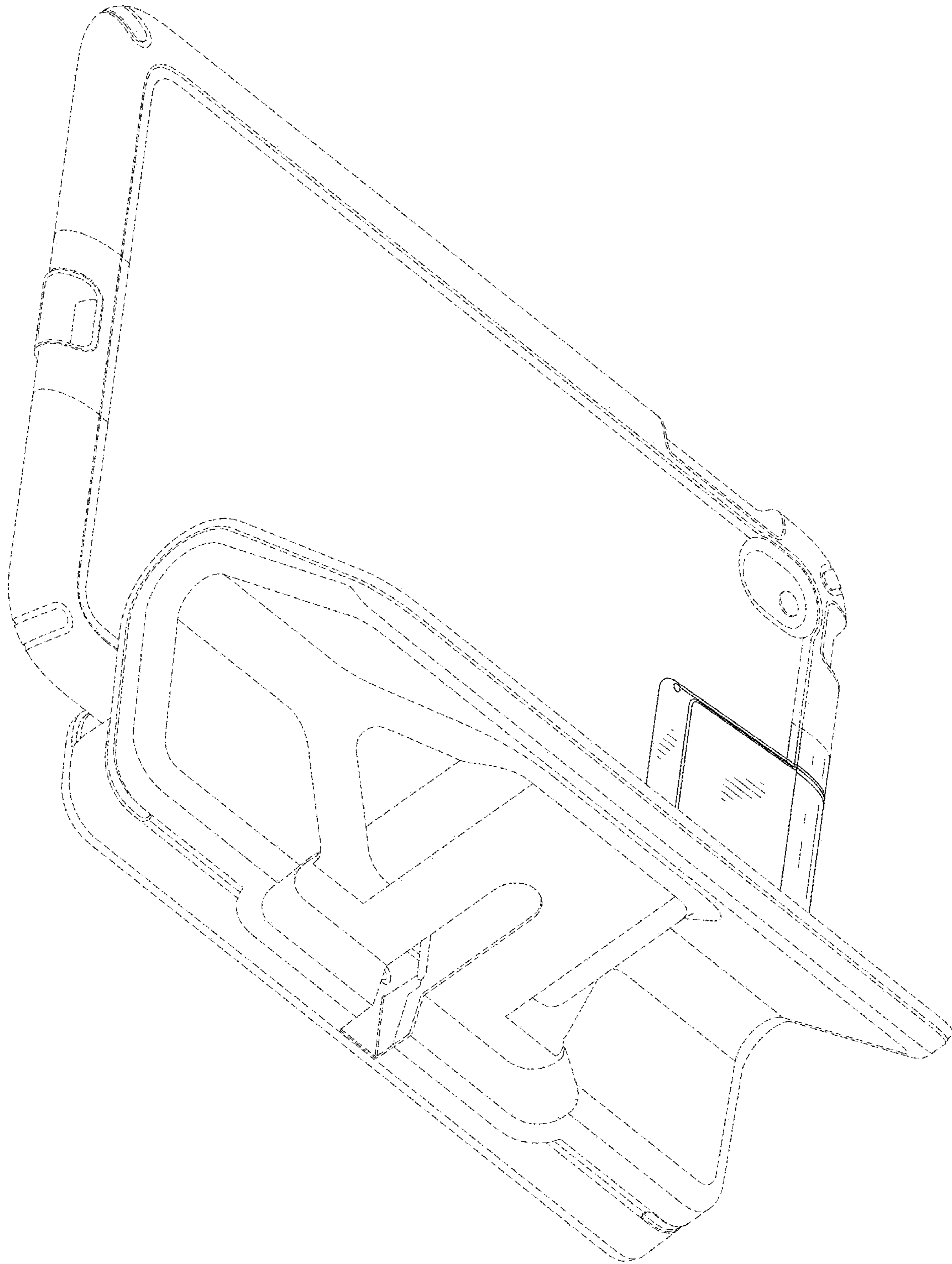


FIG. 26