



US00D885400S

(12) **United States Design Patent** (10) **Patent No.:** **US D885,400 S**  
**Mecchella et al.** (45) **Date of Patent:** **\*\* \*May 26, 2020**

(54) **ELECTRONIC DEVICE COVER**

- (71) Applicant: **Amazon Technologies, Inc.**, Seattle, WA (US)
- (72) Inventors: **Monica Liane Mecchella**, San Francisco, CA (US); **Jesse Wheeler Moore**, Oakland, CA (US)
- (73) Assignee: **Amazon Technologies, Inc.**, Seattle, WA (US)
- (\*) Notice: This patent is subject to a terminal disclaimer.
- (\*\*) Term: **15 Years**
- (21) Appl. No.: **29/691,033**
- (22) Filed: **May 13, 2019**

**Related U.S. Application Data**

- (62) Division of application No. 29/665,470, filed on Oct. 3, 2018, now Pat. No. Des. 848,440, which is a (Continued)
- (51) **LOC (12) Cl.** ..... **14-02**
- (52) **U.S. Cl.**  
USPC ..... **D14/440**
- (58) **Field of Classification Search**  
USPC ..... D14/440; 206/45.23, 320, 45.2;  
361/679.55; 294/25; 224/218  
(Continued)

(56) **References Cited**

**U.S. PATENT DOCUMENTS**

- D323,937 S \* 2/1992 Solomon ..... D3/299
  - D467,429 S \* 12/2002 Bone ..... D3/294
- (Continued)

**FOREIGN PATENT DOCUMENTS**

- JP D1567116 1/2017

**OTHER PUBLICATIONS**

Canadian Office Action dated Mar. 19, 2018 for Canadian Patent Application No. 177017, a counterpart foreign application of U.S. Appl. No. 29/599,218, 2 pages.  
(Continued)

*Primary Examiner* — Cynthia R Underwood  
(74) *Attorney, Agent, or Firm* — Lee & Hayes, P.C.

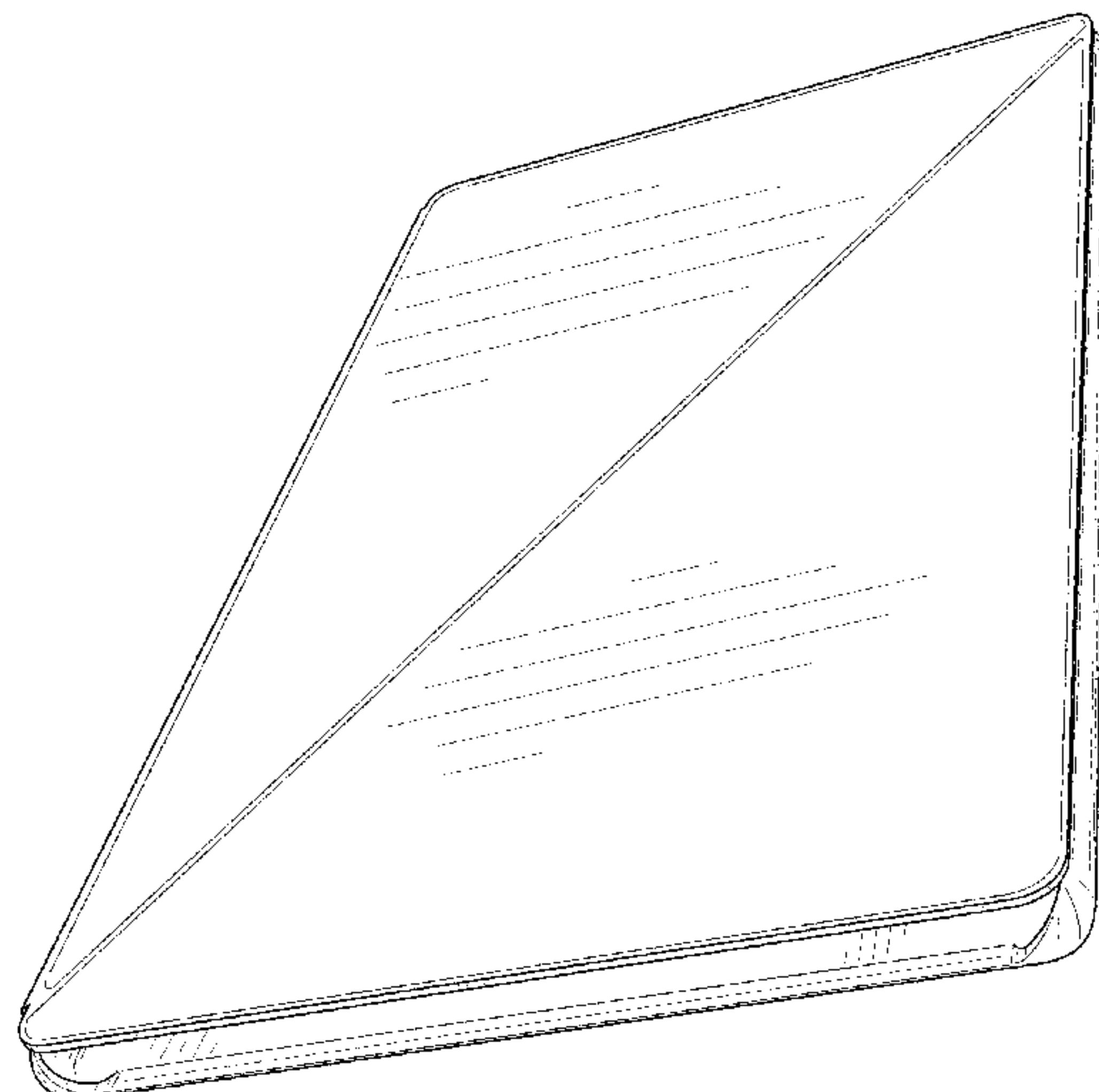
(57) **CLAIM**

The ornamental design for an electronic device cover, as shown and described.

**DESCRIPTION**

FIG. 1 is a front perspective view of a first embodiment of an electronic device cover;  
 FIG. 2 is a back perspective view thereof;  
 FIG. 3 is a front view thereof;  
 FIG. 4 is a back view thereof;  
 FIG. 5 is a left-side view thereof;  
 FIG. 6 is a right-side view thereof;  
 FIG. 7 is a top view thereof;  
 FIG. 8 is a bottom view thereof;  
 FIG. 9 is a first open state view thereof;  
 FIG. 10 is a second open state view thereof;  
 FIG. 11 is a front perspective view of a second embodiment of an electronic device cover. The crosshatched pattern shown on the views of the second embodiment represents fabric (e.g., a woven fabric), and is understood to be distributed uniformly over the surface of the claimed design upon which the pattern occurs.  
 FIG. 12 is a back perspective view thereof;  
 FIG. 13 is a front view thereof;  
 FIG. 14 is a back view thereof;  
 FIG. 15 is a left-side view thereof;  
 FIG. 16 is a right-side view thereof;  
 FIG. 17 is a top view thereof;  
 FIG. 18 is a bottom view thereof;  
 FIG. 19 is a first open state view thereof; and,  
 FIG. 20 is a second open state view thereof.

**1 Claim, 20 Drawing Sheets**



**Related U.S. Application Data**

division of application No. 29/599,218, filed on Mar. 31, 2017, now Pat. No. Des. 832,851.

(58) **Field of Classification Search**

CPC ... G06F 1/1628; G06F 1/1626; A47B 23/044; H04B 1/3888; H05K 5/0217

See application file for complete search history.

(56) **References Cited**

U.S. PATENT DOCUMENTS

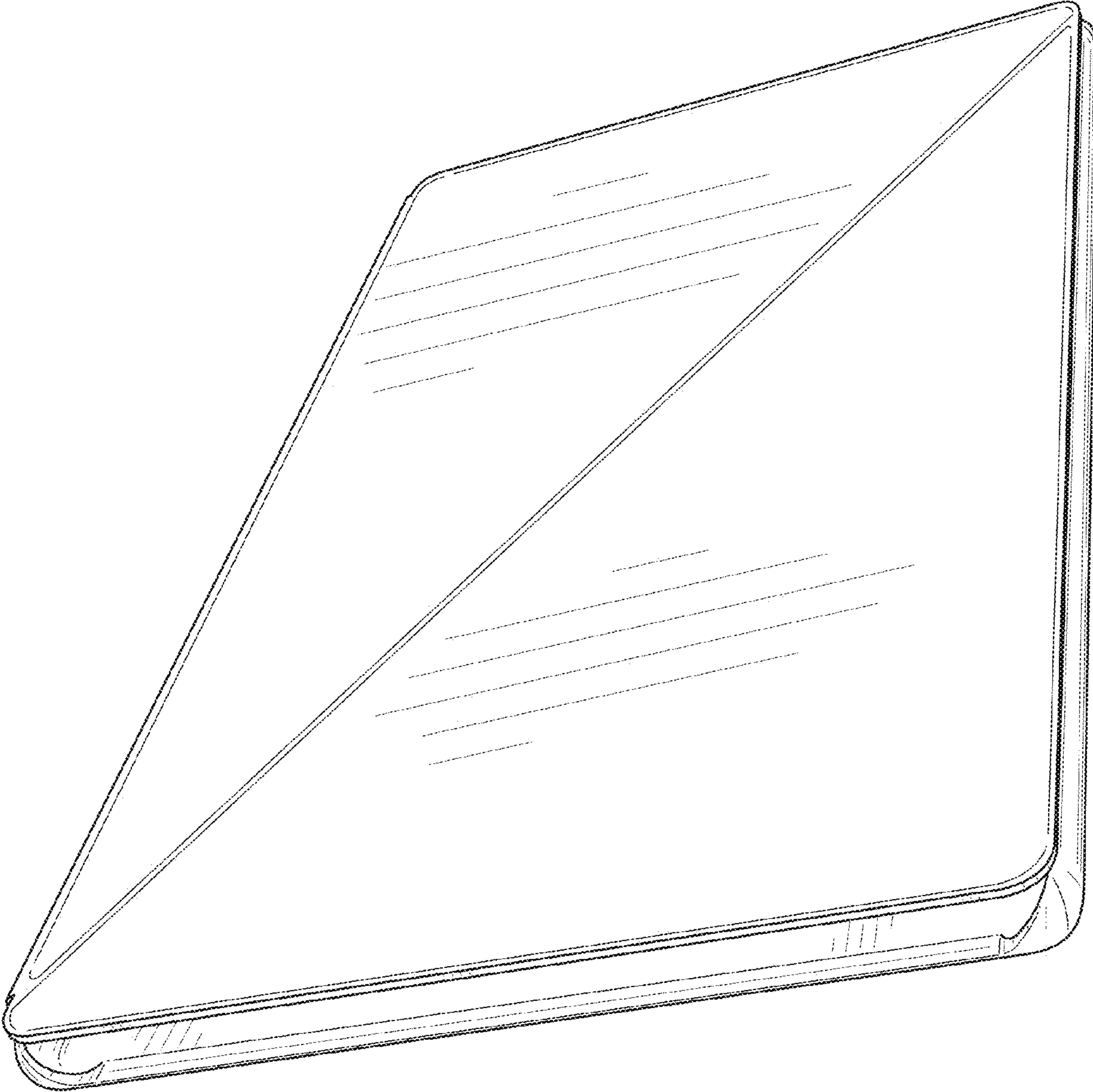
D657,354 S \* 4/2012 Kim ..... D14/250  
 D675,210 S \* 1/2013 Kim ..... D14/439  
 D676,448 S \* 2/2013 Gorman ..... D14/440  
 D676,449 S 2/2013 Probst et al.  
 8,542,495 B1 \* 9/2013 Gorman ..... G06F 1/1626  
 361/679.02  
 D690,703 S \* 10/2013 Welch ..... D14/440  
 D707,229 S \* 6/2014 Almodova ..... D14/440  
 D708,621 S \* 7/2014 Gifford ..... D14/447  
 D736,777 S \* 8/2015 Rayner ..... D14/440  
 D742,888 S \* 11/2015 Mecchella ..... D14/440  
 D742,889 S \* 11/2015 Mecchella ..... D14/440  
 D742,890 S \* 11/2015 Mecchella ..... D14/440  
 D744,489 S \* 12/2015 Sirichai ..... D14/440  
 D748,097 S \* 1/2016 Feng ..... D14/440  
 D748,636 S \* 2/2016 Zadvinskis ..... D14/440  
 D753,123 S 4/2016 Probst et al.  
 9,307,131 B1 4/2016 Breen  
 D761,798 S 7/2016 Lee et al.  
 D764,472 S \* 8/2016 Corcoran ..... D14/440  
 D765,086 S \* 8/2016 Lee ..... D14/440  
 D765,663 S \* 9/2016 Shih ..... D14/440  
 D768,638 S \* 10/2016 Lee ..... D14/440  
 D774,036 S 12/2016 Kuntz et al.  
 D781,278 S \* 3/2017 Kim ..... D14/250  
 D787,520 S \* 5/2017 Wall ..... D14/440  
 D789,342 S \* 6/2017 Sirichai ..... D14/250  
 D792,412 S 7/2017 Zhang  
 D792,887 S 7/2017 Zhang  
 D807,892 S \* 1/2018 Wang ..... D14/440  
 D808,393 S \* 1/2018 Moore ..... D14/440  
 D810,088 S \* 2/2018 Moore ..... D14/440  
 D811,411 S \* 2/2018 Moore ..... D14/440

D817,962 S \* 5/2018 Shao ..... D14/440  
 D823,854 S \* 7/2018 Enqvist ..... D14/345  
 D828,360 S \* 9/2018 Moore ..... D14/440  
 D828,842 S \* 9/2018 Mecchella ..... D14/440  
 D832,268 S \* 10/2018 Mecchella ..... D14/440  
 D832,851 S \* 11/2018 Mecchella ..... D14/440  
 D832,853 S \* 11/2018 Jinkinson ..... D14/440  
 D832,856 S \* 11/2018 Jinkinson ..... D14/440  
 D832,858 S \* 11/2018 Wengreen ..... D14/447  
 D848,438 S \* 5/2019 Mecchella ..... D14/440  
 D848,439 S \* 5/2019 Brown ..... D14/440  
 D851,093 S \* 6/2019 Moore ..... D14/440  
 D859,416 S \* 9/2019 Moore ..... D14/440  
 D860,193 S \* 9/2019 Wang ..... D14/315  
 D860,194 S \* 9/2019 Wang ..... D14/315  
 D861,000 S \* 9/2019 Zhao ..... D14/440  
 2007/0097087 A1 5/2007 Homer et al.  
 2008/0194139 A1 8/2008 Chan  
 2012/0043235 A1 2/2012 Klement  
 2013/0264459 A1 \* 10/2013 McCosh ..... G06F 1/1626  
 248/688  
 2016/0011628 A1 \* 1/2016 Sato ..... G06F 1/1656  
 361/679.3

OTHER PUBLICATIONS

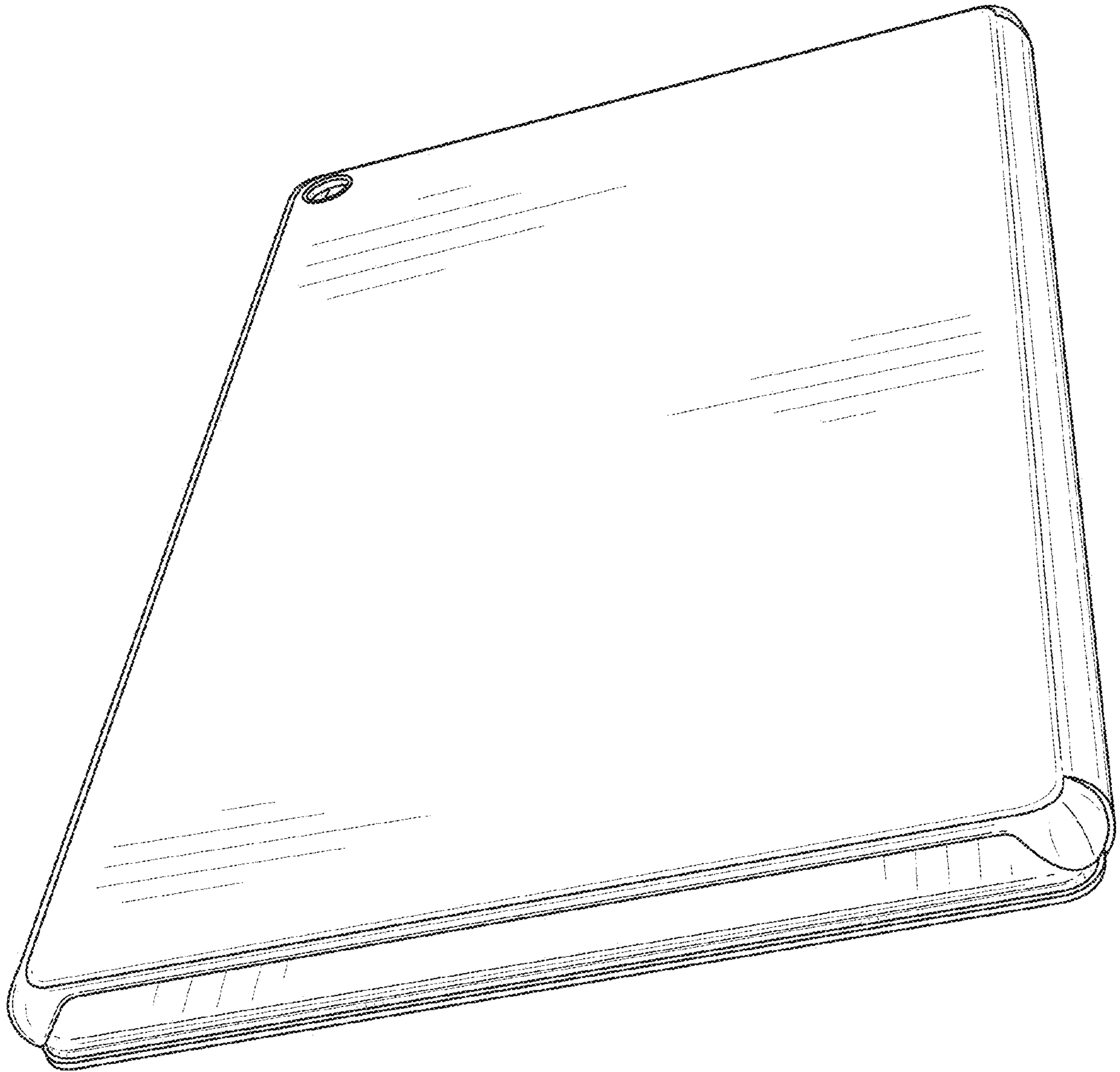
Canadian Office Action dated Mar. 19, 2018 for Canadian Patent Application No. 177014, a counterpart foreign application of U.S. Appl. No. 29/599,218, 1 page.  
 Chinese Office Action dated Jan. 11, 2018 for Chinese design application No. 201730472788.0, a counterpart foreign application of U.S. Appl. No. 29/599,218.  
 Indian Office Action dated Oct. 17, 2017 for Indian design application No. 297355, a counterpart foreign application of design U.S. Appl. No. 29/599,218, 2 pages.  
 Translated the Japanese Office Action dated Feb. 9, 2018 for Japanese design application No. 2017-019791, a counterpart foreign application of design U.S. Appl. No. 29/599,218, 4 pages.  
 Translated the Japanese Office Action dated Jun. 22, 2018 for Japanese Design Application No. 2017-019791, a counterpart foreign application of Design U.S. Appl. No. 29/599,218, 3 pages.  
 Korean Office Action dated Jan. 19, 2018 for Korean design application No. 30-2017-42087, a counterpart foreign application of design U.S. Appl. No. 29/599,218.

\* cited by examiner

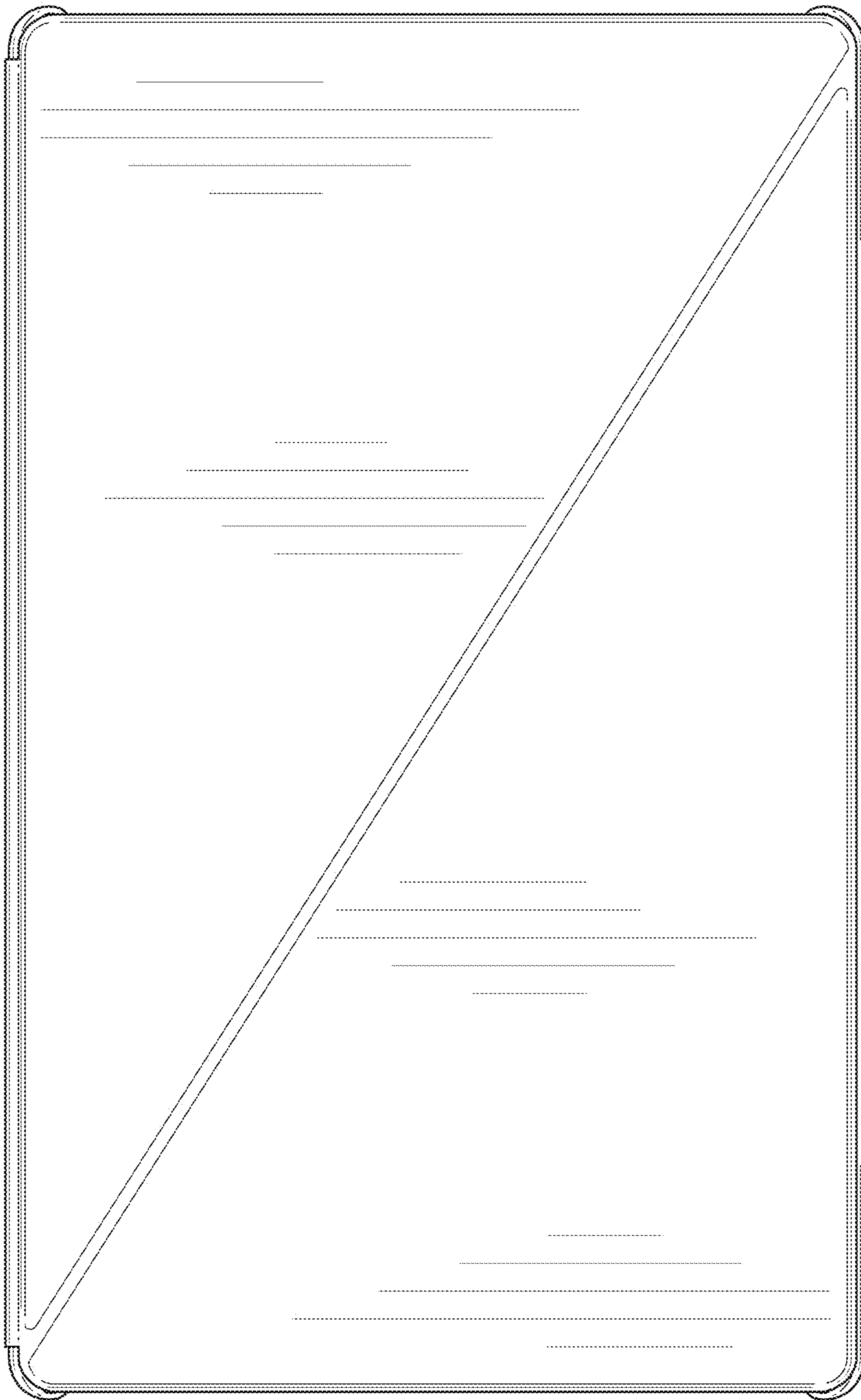


**FIG. 1**

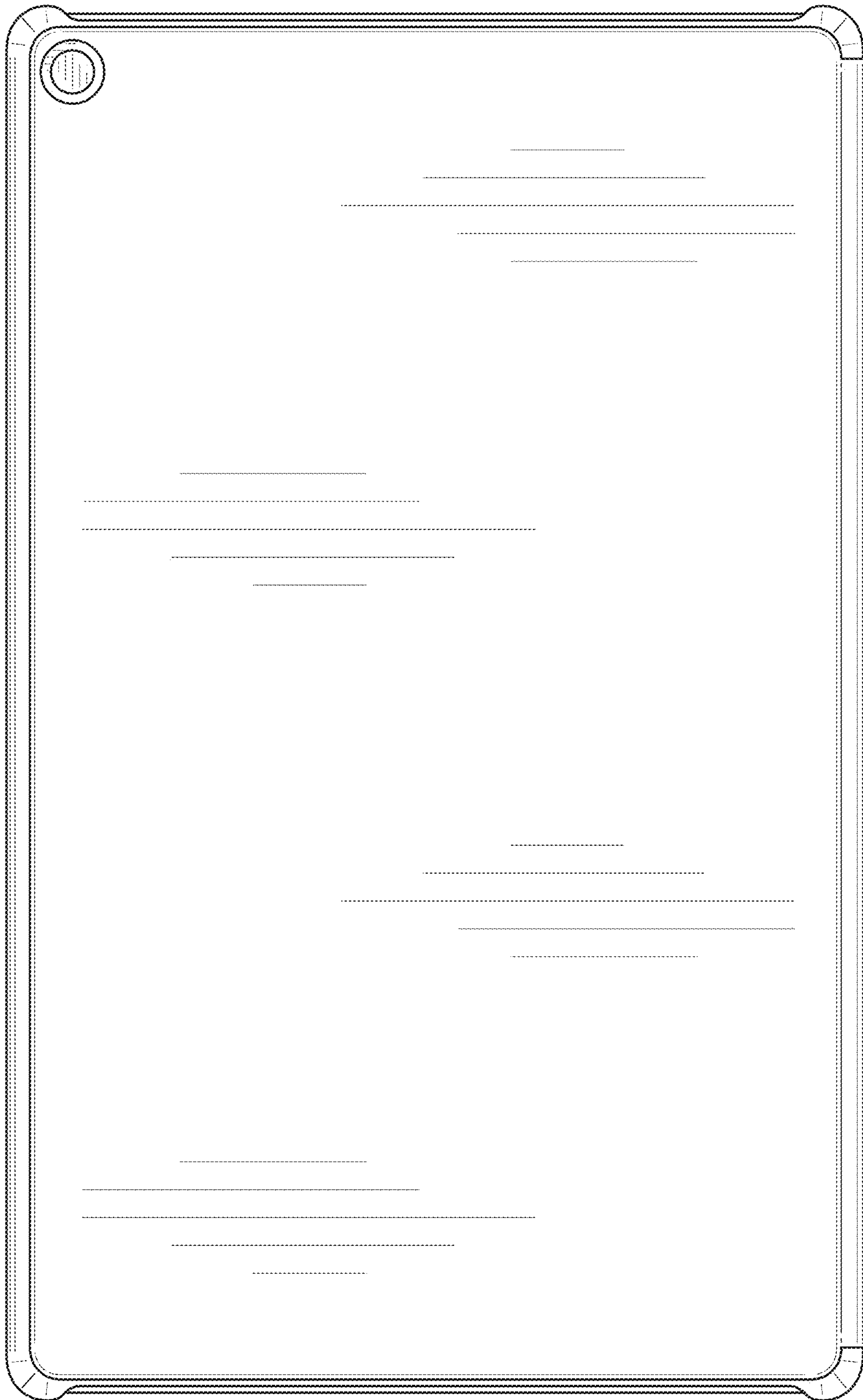




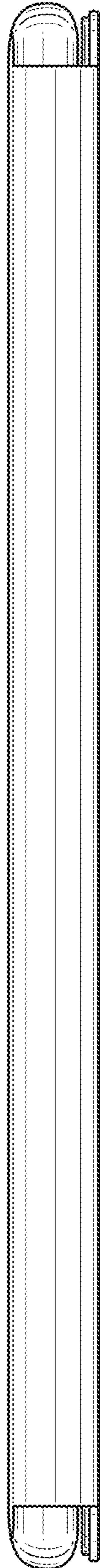
**FIG. 2**



**FIG. 3**



**FIG. 4**



**FIG. 5**

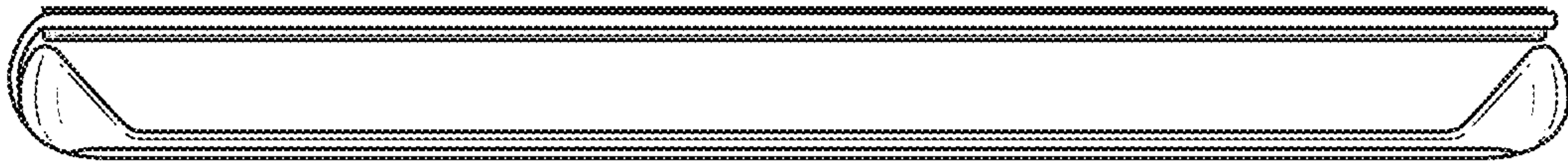


**FIG. 6**

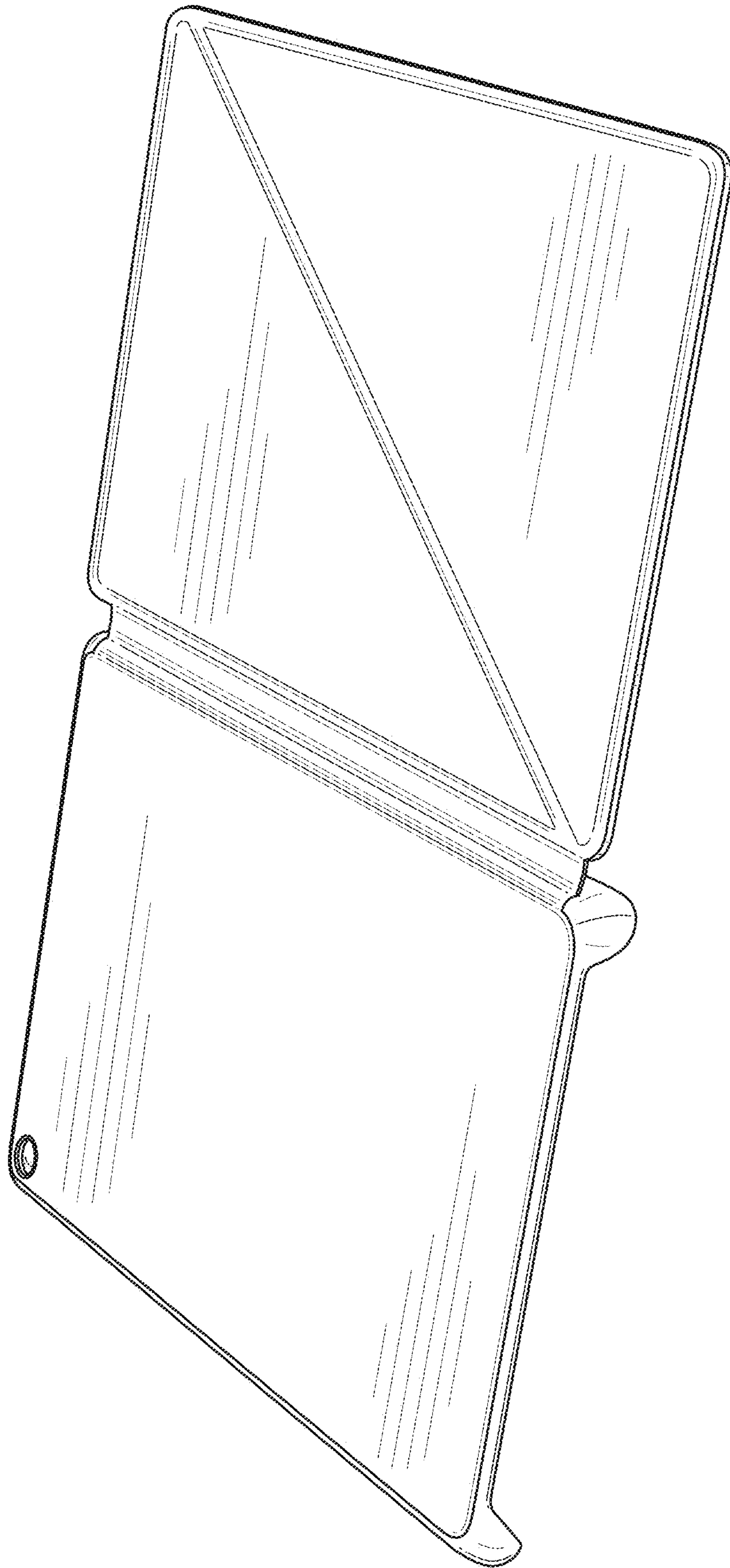




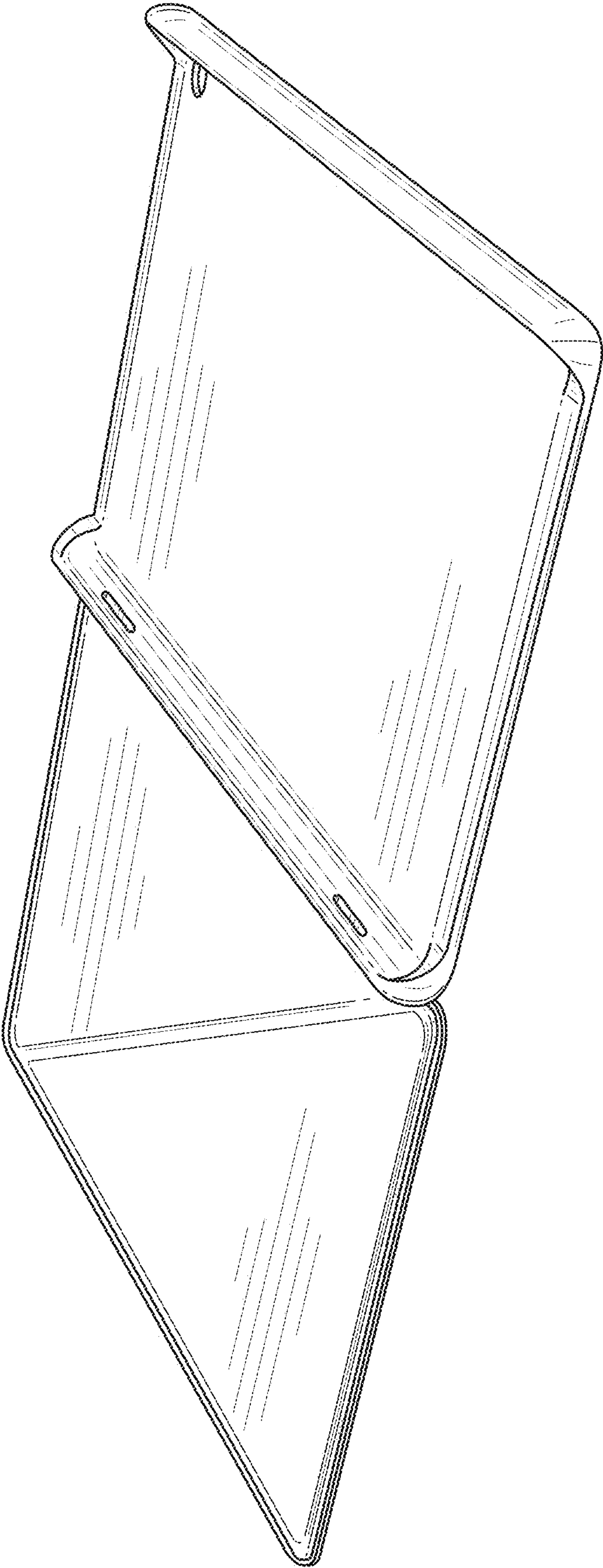
**FIG. 7**



**FIG. 8**

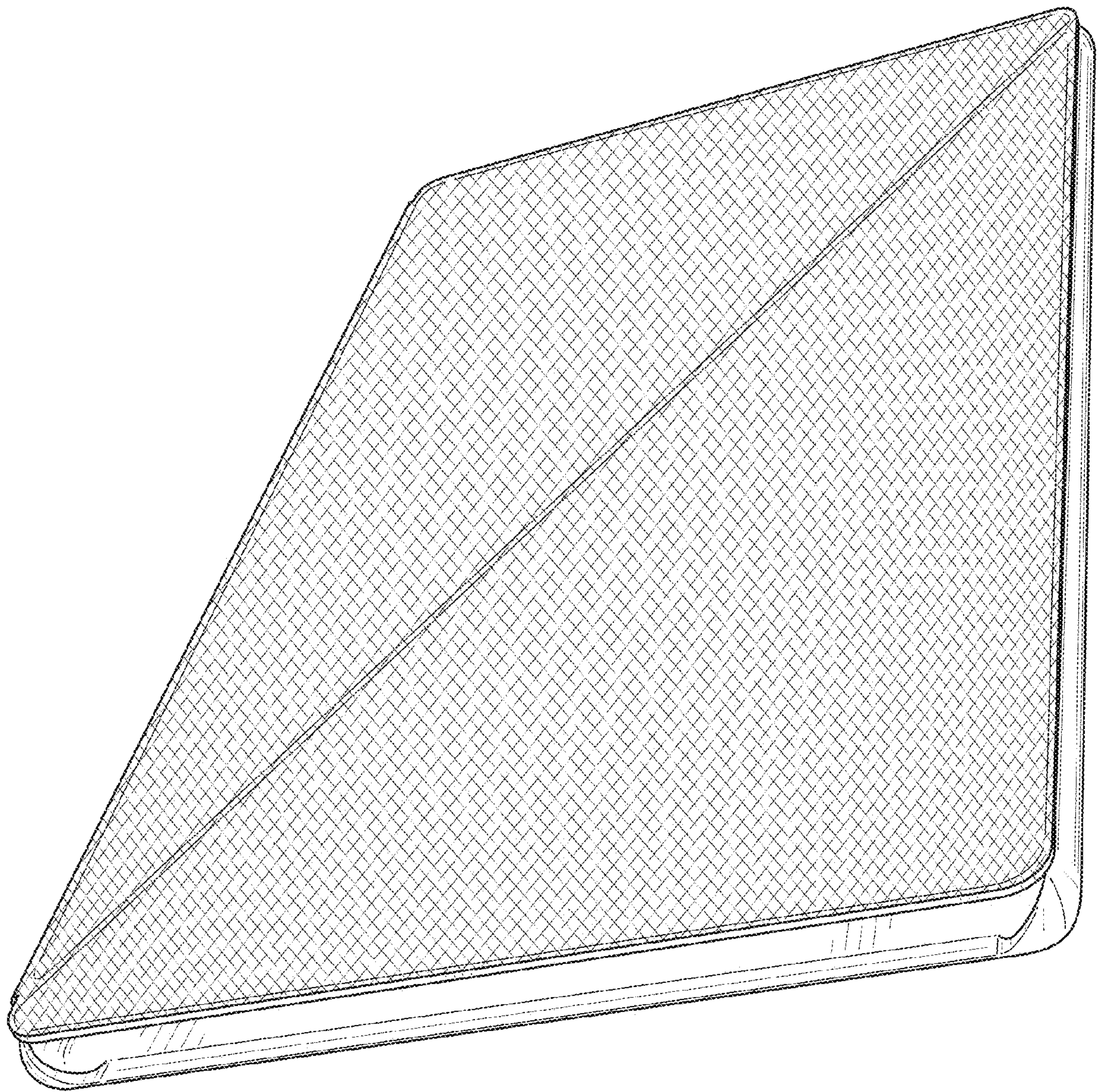


**FIG. 9**



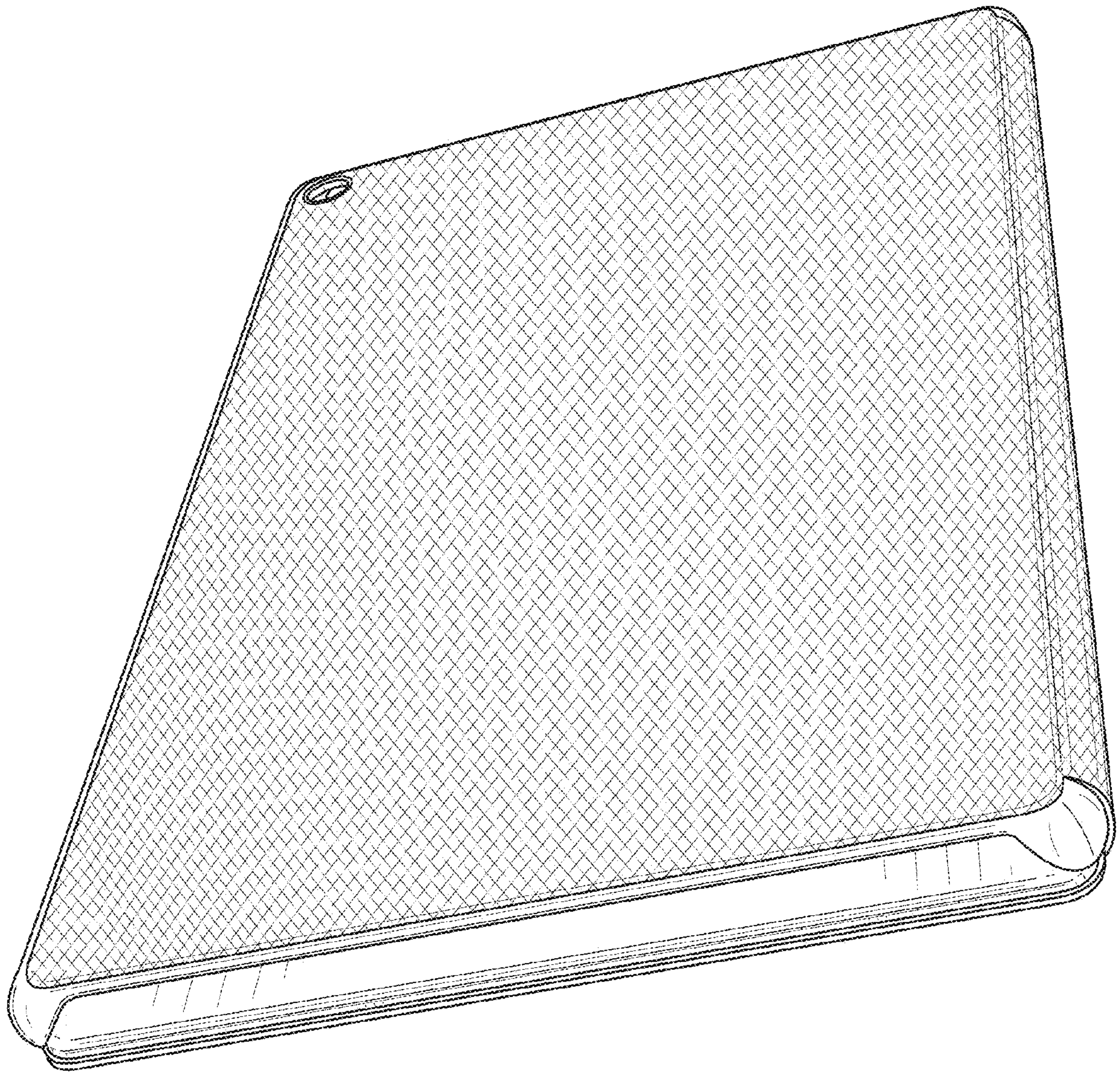
**FIG. 10**





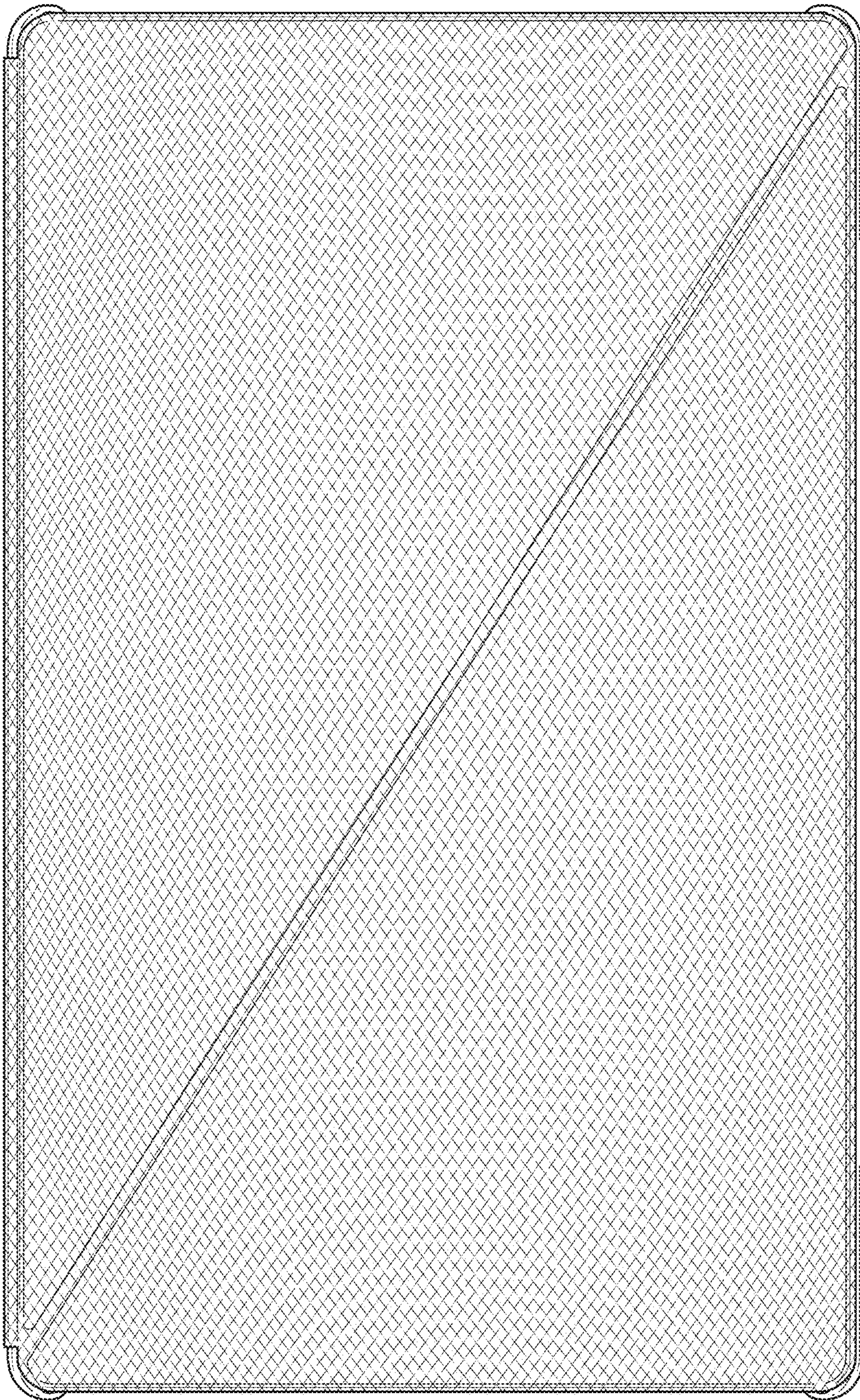
**FIG. 11**





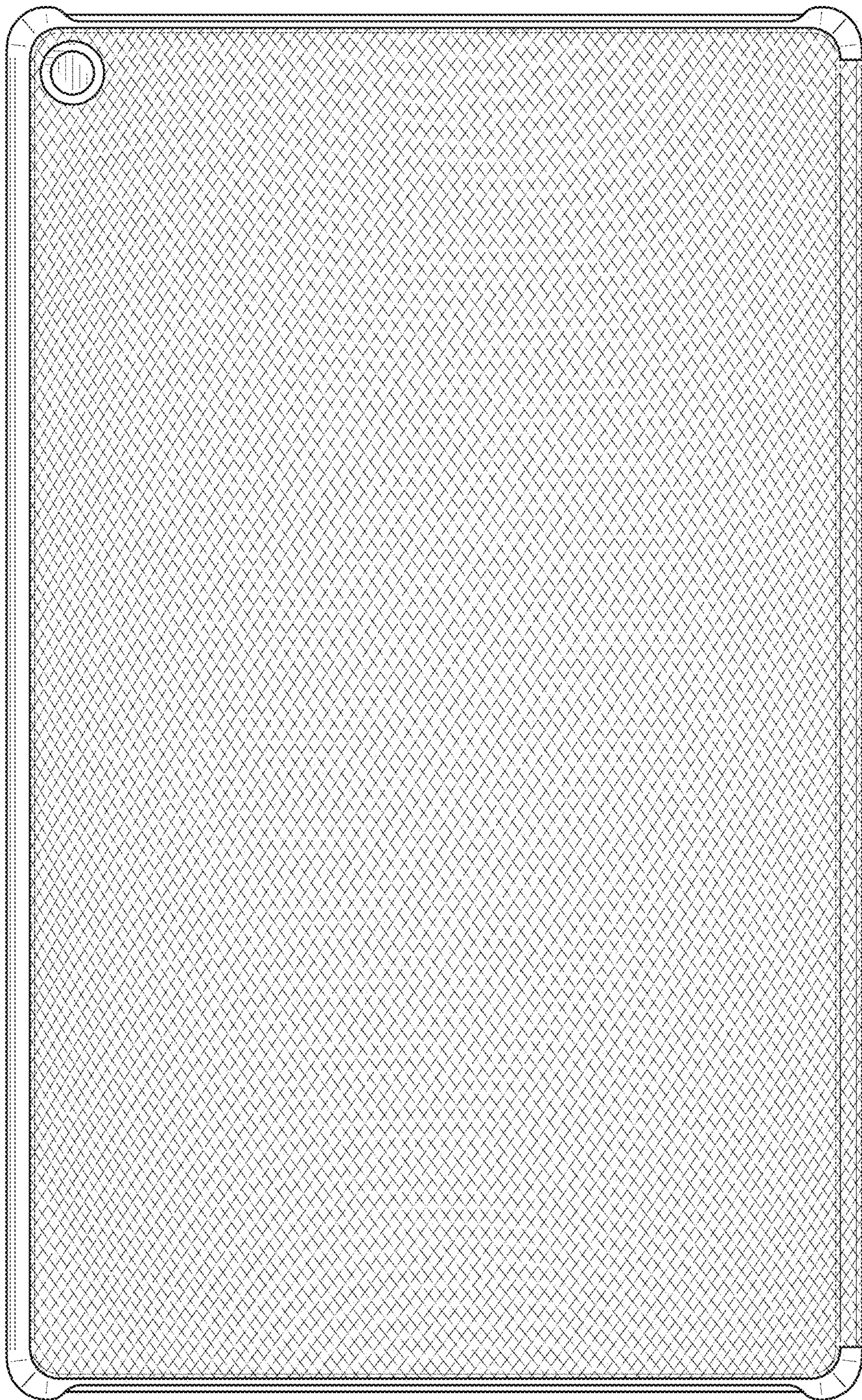
**FIG. 12**





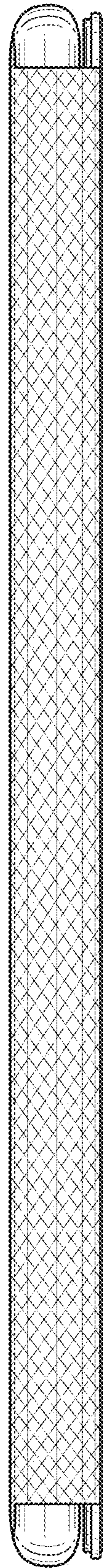
**FIG. 13**



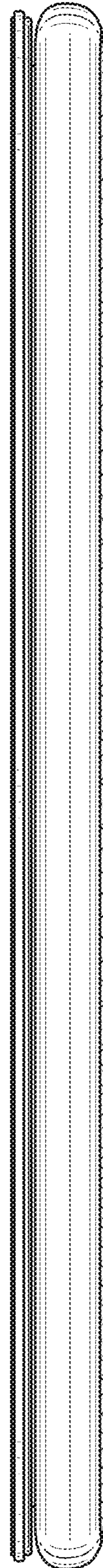


**FIG. 14**

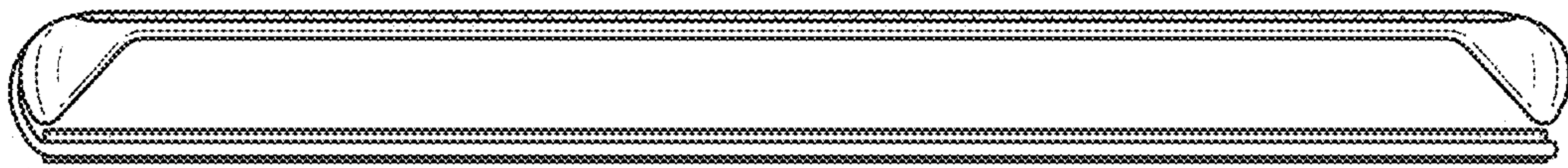




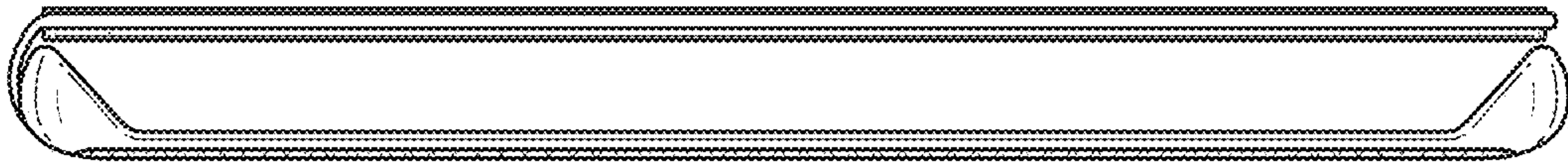
**FIG. 15**



**FIG. 16**

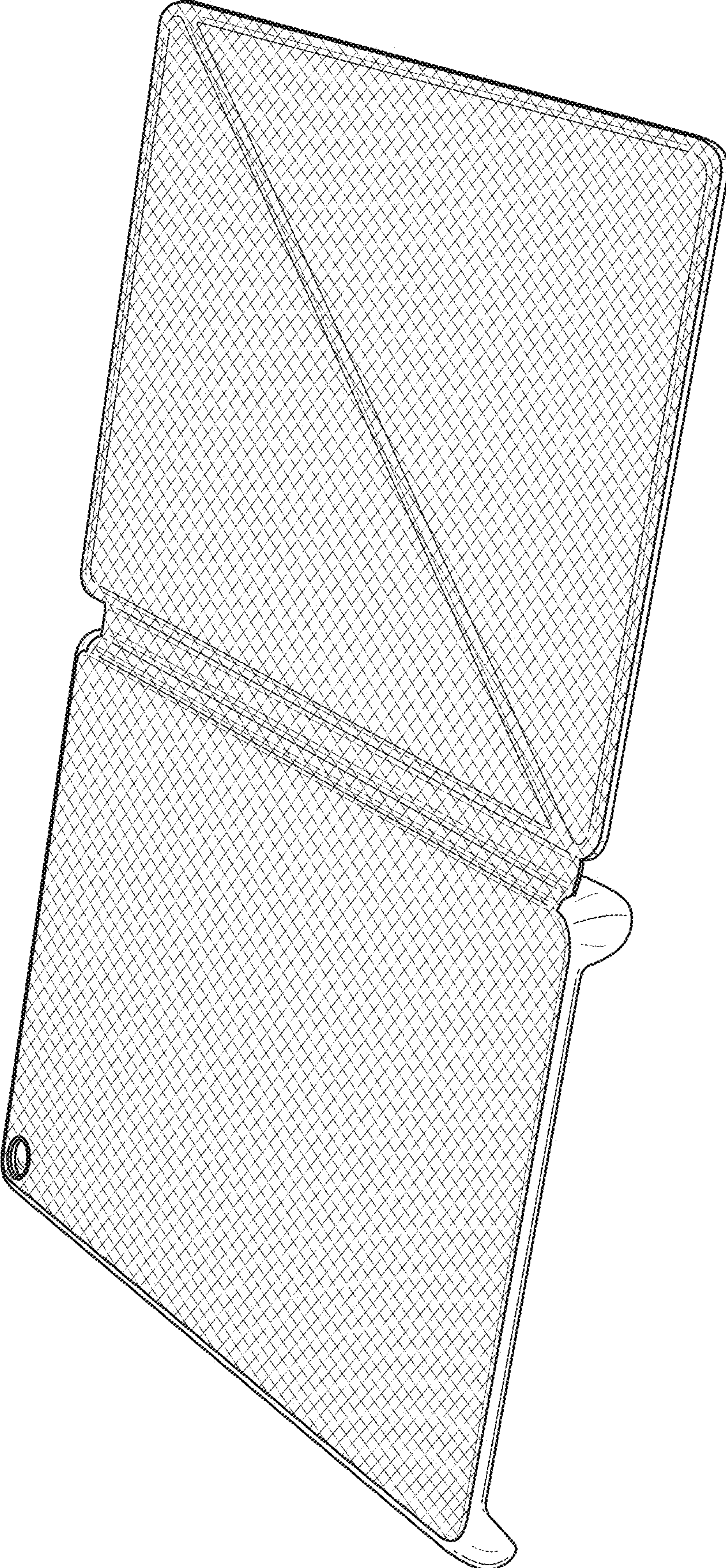


***FIG. 17***



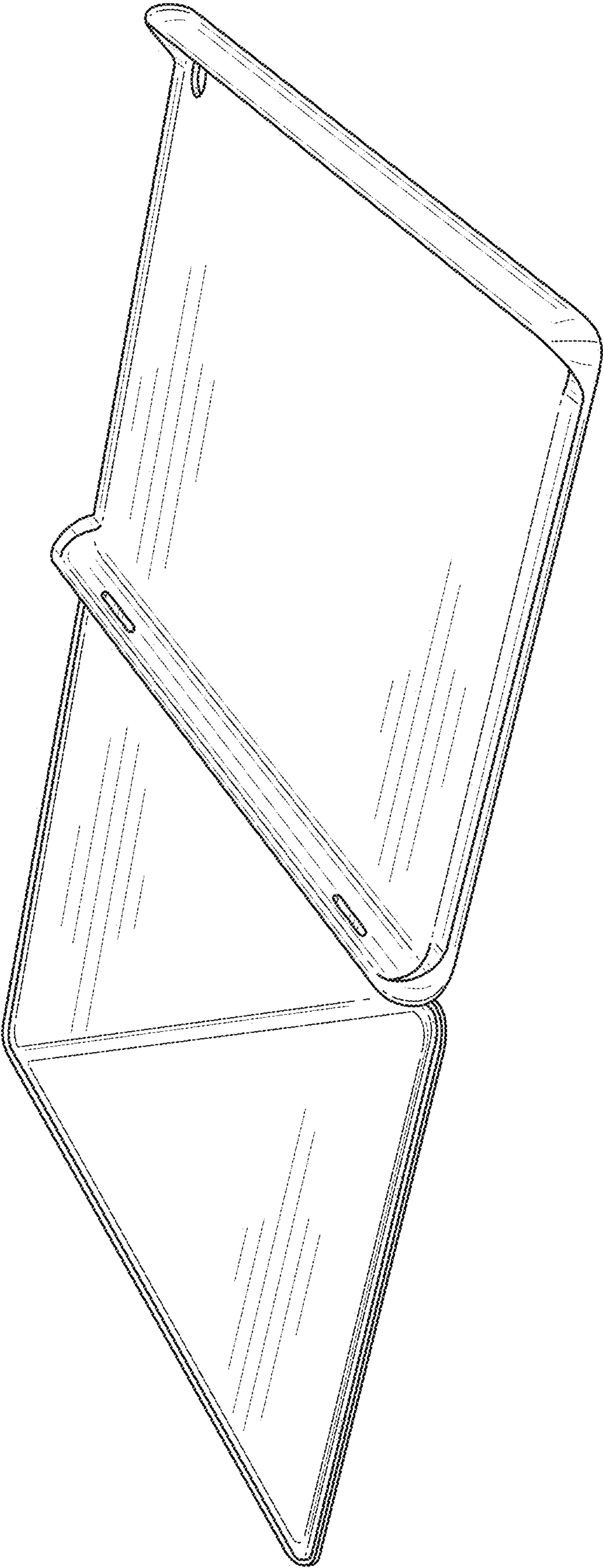
**FIG. 18**





**FIG. 19**





**FIG. 20**