



US00D885399S

(12) **United States Design Patent** (10) **Patent No.:** **US D885,399 S**  
**Chen** (45) **Date of Patent:** **\*\* May 26, 2020**

(54) **TABLET CASE WITH PEN SLOT**  
(71) Applicant: **Hai Wen Chen**, Shenzhen (CN)  
(72) Inventor: **Hai Wen Chen**, Shenzhen (CN)  
(\*\*) Term: **15 Years**  
(21) Appl. No.: **29/685,007**  
(22) Filed: **Mar. 26, 2019**  
(51) **LOC (12) Cl.** ..... **14-02**  
(52) **U.S. Cl.**  
USPC ..... **D14/440**  
(58) **Field of Classification Search**  
USPC .... D14/440, 447, 250, 316, 455; 206/45.23,  
206/320, 45.2; 361/679.55; 294/25;  
224/218  
CPC .... G06F 1/1628; G06F 1/1626; G06F 1/1669;  
A47B 23/044; H04B 1/3888  
See application file for complete search history.

D734,340 S \* 7/2015 Kim ..... D14/440  
9,095,194 B2 \* 8/2015 Hassett ..... A45C 11/00  
D744,489 S \* 12/2015 Sirichai ..... D14/440  
D744,492 S \* 12/2015 Lin ..... G06F 1/1632  
D14/440  
D753,648 S \* 4/2016 Shyu ..... D14/315  
9,307,062 B2 \* 4/2016 Kim ..... H04M 1/04  
D764,472 S \* 8/2016 Corcoran ..... D14/440  
D772,880 S \* 11/2016 Corcoran ..... D14/440  
9,489,054 B1 \* 11/2016 Sumsion ..... G06F 3/0208  
D773,470 S \* 12/2016 Akana ..... D14/440  
D779,485 S \* 2/2017 Akana ..... D14/345  
9,578,941 B2 \* 2/2017 MacLachlan ..... F16M 11/38  
D789,342 S \* 6/2017 Sirichai ..... D14/250  
D792,887 S \* 7/2017 Zhang ..... D14/440  
9,717,314 B2 \* 8/2017 Idehara ..... A45C 11/00  
D807,363 S \* 1/2018 Hallier ..... D14/440  
D807,365 S \* 1/2018 Liu ..... D14/440  
D807,892 S \* 1/2018 Wang ..... D14/440  
D808,394 S \* 1/2018 Lakraa ..... D14/440  
D808,395 S \* 1/2018 Fenton ..... D14/440

(Continued)

Primary Examiner — Cynthia R Underwood

(57) **CLAIM**

The ornamental design for a tablet case with pen slot, as shown and described.

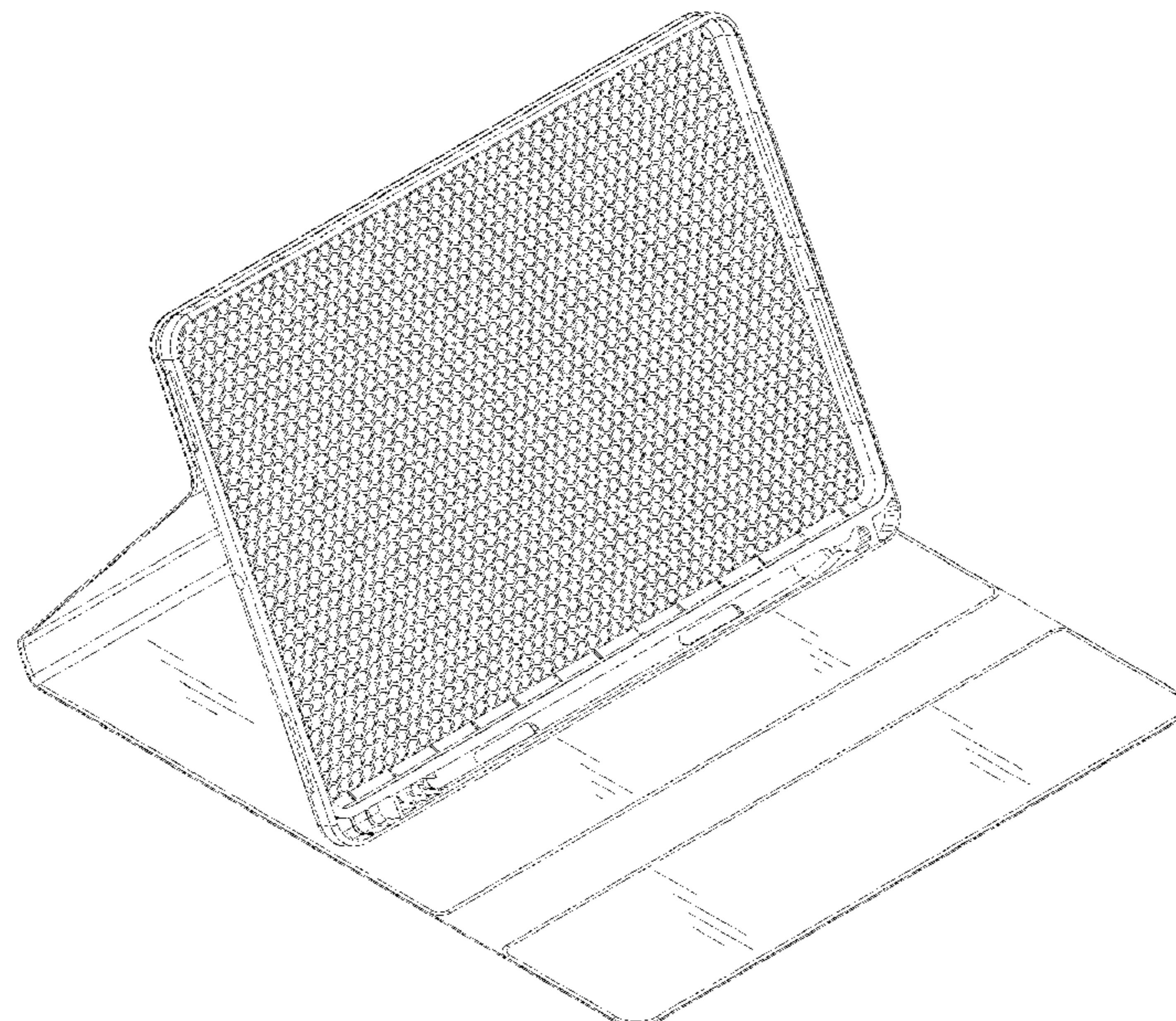
**DESCRIPTION**

FIG. 1 is a front elevational view of the tablet case with pen slot showing my new design;  
FIG. 2 is a rear elevational view thereof;  
FIG. 3 is a left side elevational view thereof;  
FIG. 4 is a right side elevational view thereof;  
FIG. 5 is a top plan view thereof;  
FIG. 6 is a bottom plan view thereof;  
FIG. 7 is a front perspective view thereof;  
FIG. 8 is a front perspective view thereof, showing the tablet case in use position; and,  
FIG. 9 is a rear perspective view thereof.

**1 Claim, 7 Drawing Sheets**

(56) **References Cited**  
U.S. PATENT DOCUMENTS

D649,144 S \* 11/2011 Fathollahi ..... D14/250  
D667,831 S \* 9/2012 Stravitz ..... D14/447  
D690,292 S \* 9/2013 Bibla ..... D14/250  
D696,256 S \* 12/2013 Piedra ..... D14/440  
D696,669 S \* 12/2013 Akana ..... D14/440  
D700,611 S \* 3/2014 Boldetti ..... D14/440  
D719,169 S \* 12/2014 McBroom ..... D14/440  
8,905,231 B2 \* 12/2014 Couch, III ..... A45C 11/00  
206/320  
8,960,421 B1 \* 2/2015 Diebel ..... G06F 1/1679  
206/320  
D723,568 S \* 3/2015 Kim ..... D14/440  
D724,090 S \* 3/2015 Kim ..... D14/440  
D727,916 S \* 4/2015 Melmon ..... D14/440  
D727,919 S \* 4/2015 Melmon ..... D14/440  
D729,253 S \* 5/2015 Nyholm ..... D14/440  
D733,152 S \* 6/2015 Sirichai ..... D14/440



(56)

References Cited

U.S. PATENT DOCUMENTS

D811,390 S \* 2/2018 Kim ..... D14/345  
 D811,411 S \* 2/2018 Moore ..... D14/440  
 D819,038 S \* 5/2018 Diebel ..... D14/440  
 D820,839 S \* 6/2018 Akana ..... D14/345  
 D822,675 S \* 7/2018 Zhu ..... D14/455  
 D832,270 S \* 10/2018 Cheng ..... D14/440  
 D844,621 S \* 4/2019 Chen ..... D14/440  
 D851,648 S \* 6/2019 Tan ..... D14/440  
 D864,972 S \* 10/2019 Chen ..... D14/440  
 D868,072 S \* 11/2019 Lei ..... D14/440  
 D868,788 S \* 12/2019 Weng ..... D14/440  
 D868,789 S \* 12/2019 Weng ..... D14/440  
 D868,791 S \* 12/2019 Weng ..... D14/440  
 D872,093 S \* 1/2020 Xu ..... D14/440  
 2007/0057140 A1 \* 3/2007 Liou ..... F16M 11/10  
 248/456  
 2008/0029412 A1 \* 2/2008 Ho ..... A47B 21/0314  
 206/320  
 2008/0167095 A1 \* 7/2008 Kim ..... H04M 1/0216  
 455/575.3  
 2009/0159763 A1 \* 6/2009 Kim ..... F16M 13/00  
 248/174  
 2009/0178938 A1 \* 7/2009 Palmer ..... A45C 5/03  
 206/45.23  
 2009/0194209 A1 \* 8/2009 De Filippis ..... A45C 11/00  
 150/107  
 2009/0201254 A1 \* 8/2009 Rais ..... G06F 1/1613  
 345/168  
 2010/0294909 A1 \* 11/2010 Hauser ..... A47B 23/043  
 248/456

2010/0300909 A1 \* 12/2010 Hung ..... H04M 1/04  
 206/320  
 2011/0227463 A1 \* 9/2011 Hou ..... A45C 9/00  
 312/223.1  
 2011/0266194 A1 \* 11/2011 Bau ..... A45C 11/00  
 206/736  
 2011/0290687 A1 \* 12/2011 Han ..... A45C 3/02  
 206/320  
 2011/0297566 A1 \* 12/2011 Gallagher ..... F16M 11/105  
 206/320  
 2012/0140396 A1 \* 6/2012 Zelif ..... G06F 1/1628  
 361/679.09  
 2013/0140194 A1 \* 6/2013 Han ..... G06F 1/1656  
 206/45.23  
 2013/0233762 A1 \* 9/2013 Balaji ..... B65D 25/00  
 206/736  
 2013/0264459 A1 \* 10/2013 McCosh ..... G06F 1/1626  
 248/688  
 2014/0291175 A1 \* 10/2014 Chung ..... G06F 1/1656  
 206/45.23  
 2015/0263776 A1 \* 9/2015 Shyu ..... A45C 13/002  
 455/575.8  
 2015/0280768 A1 \* 10/2015 Huang ..... H04B 1/3888  
 455/575.8  
 2015/0296060 A1 \* 10/2015 Gu ..... H04M 1/0235  
 455/575.4  
 2015/0296068 A1 \* 10/2015 Chin ..... G06F 1/1628  
 455/575.8  
 2016/0011628 A1 \* 1/2016 Sato ..... G06F 1/1656  
 361/679.3  
 2016/0187937 A1 \* 6/2016 Ahee ..... G06F 1/1681  
 361/679.09

\* cited by examiner

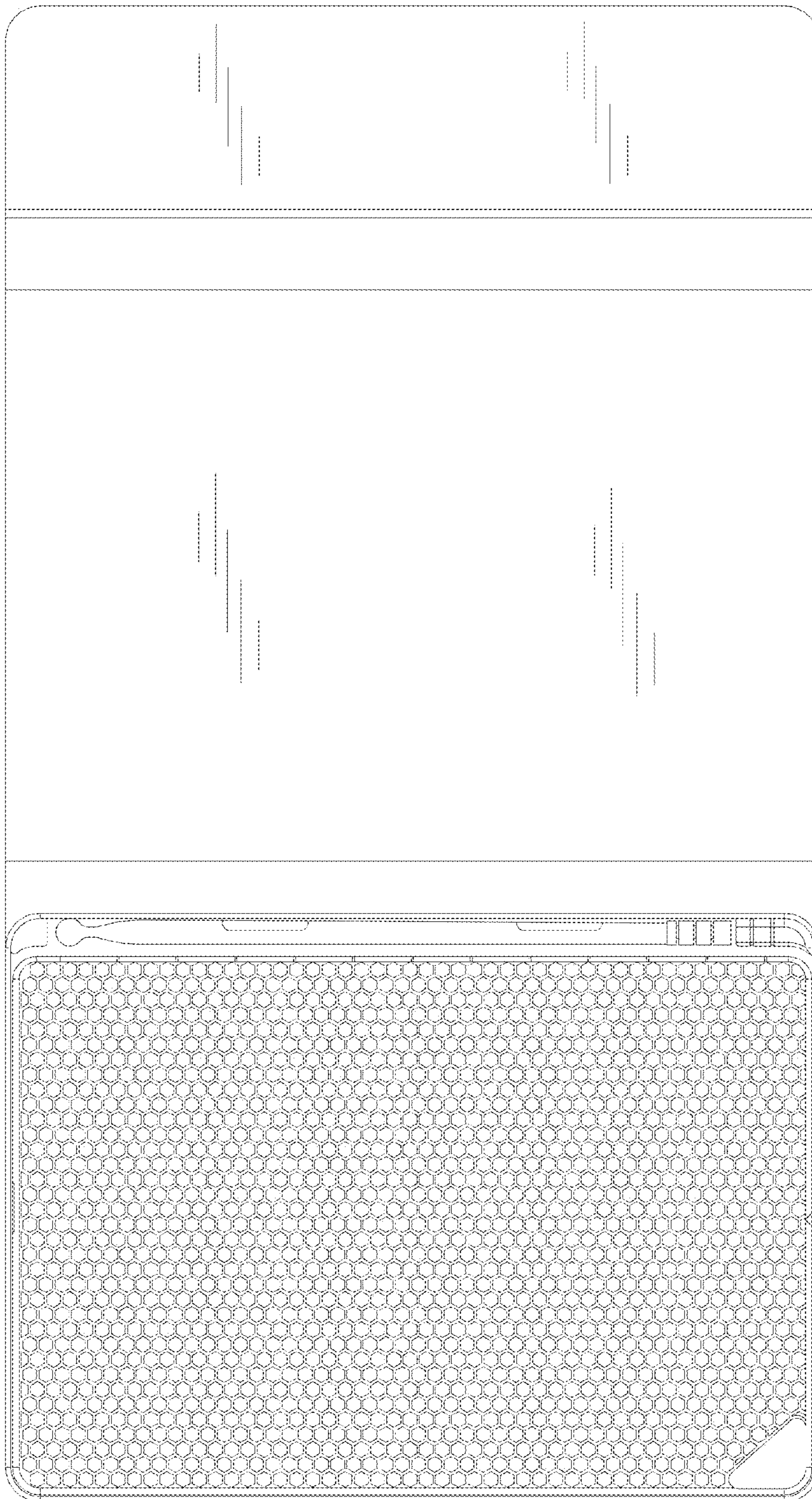


FIG. 1



FIG. 2

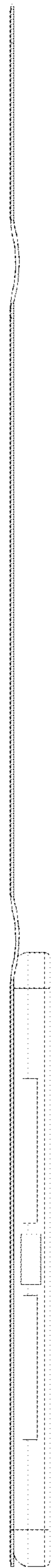


FIG. 3

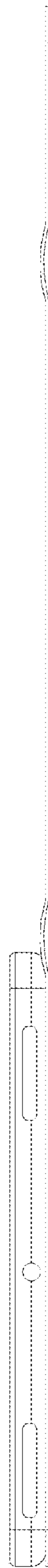


FIG. 4

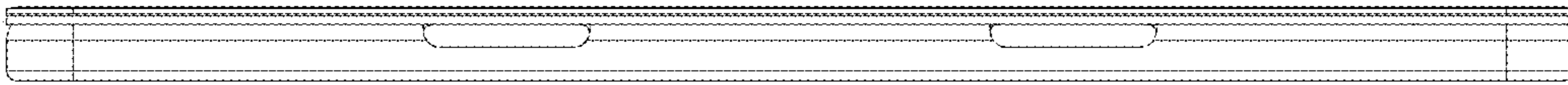


FIG. 5

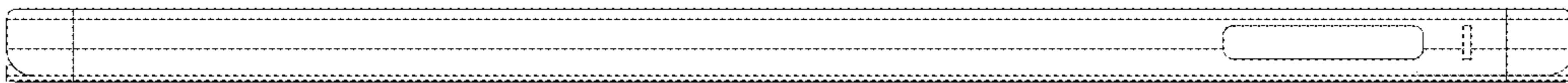


FIG. 6

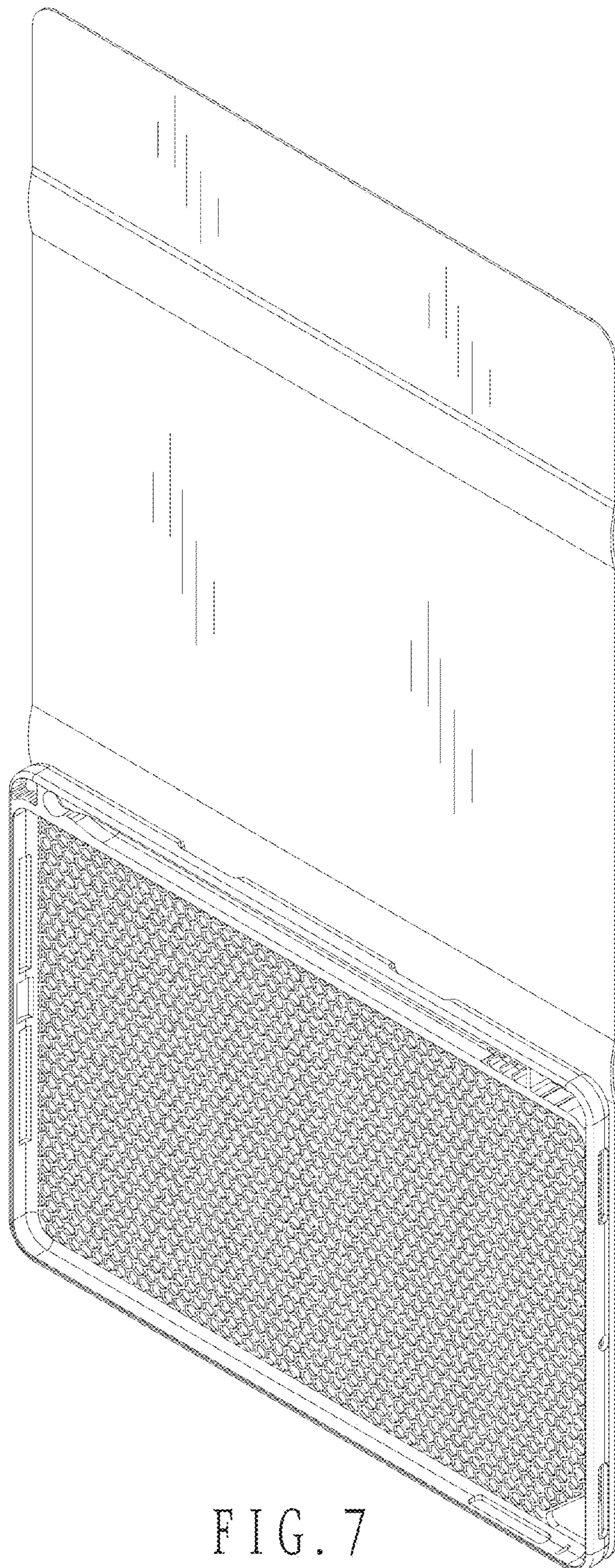


FIG. 7

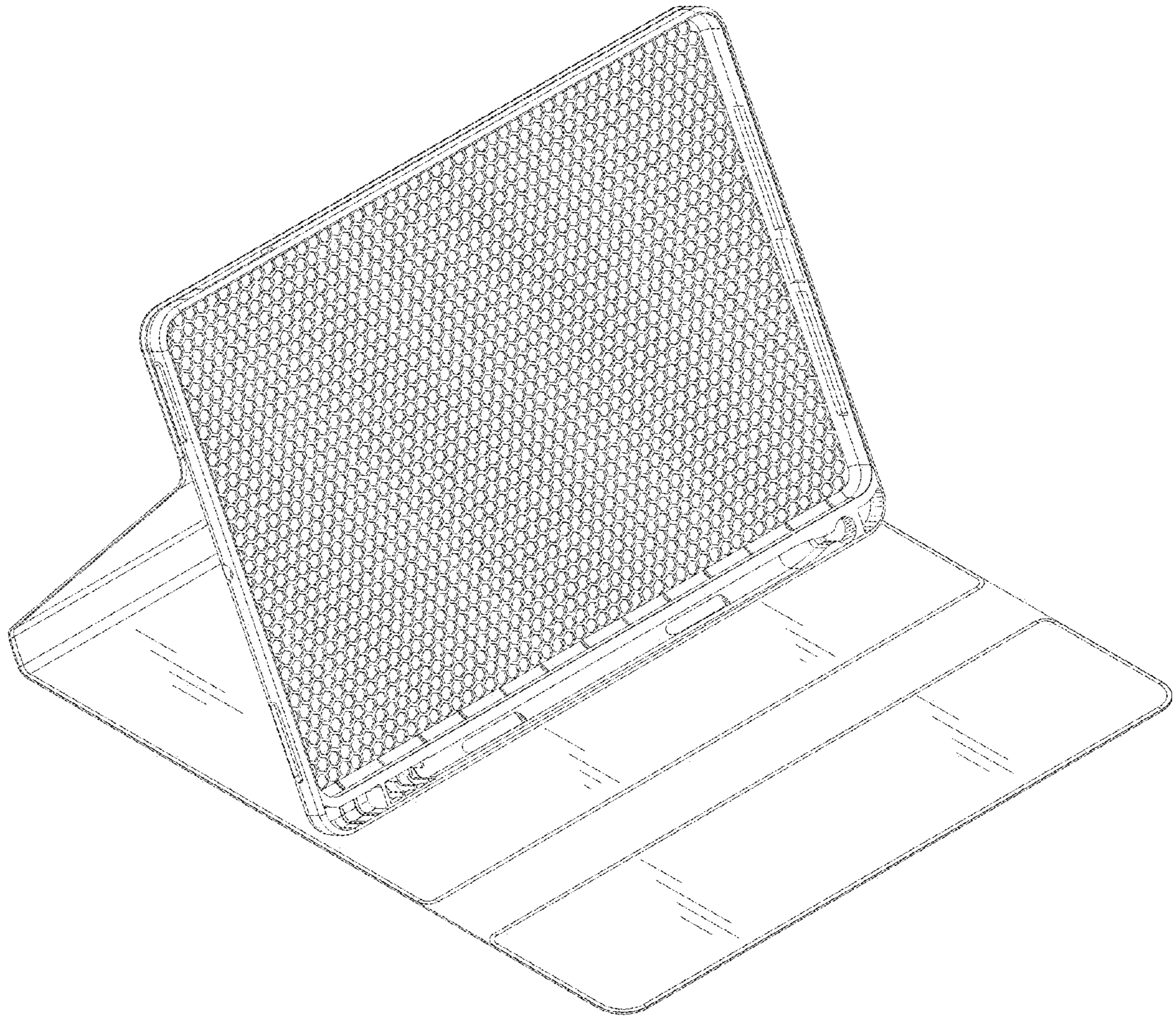


FIG. 8



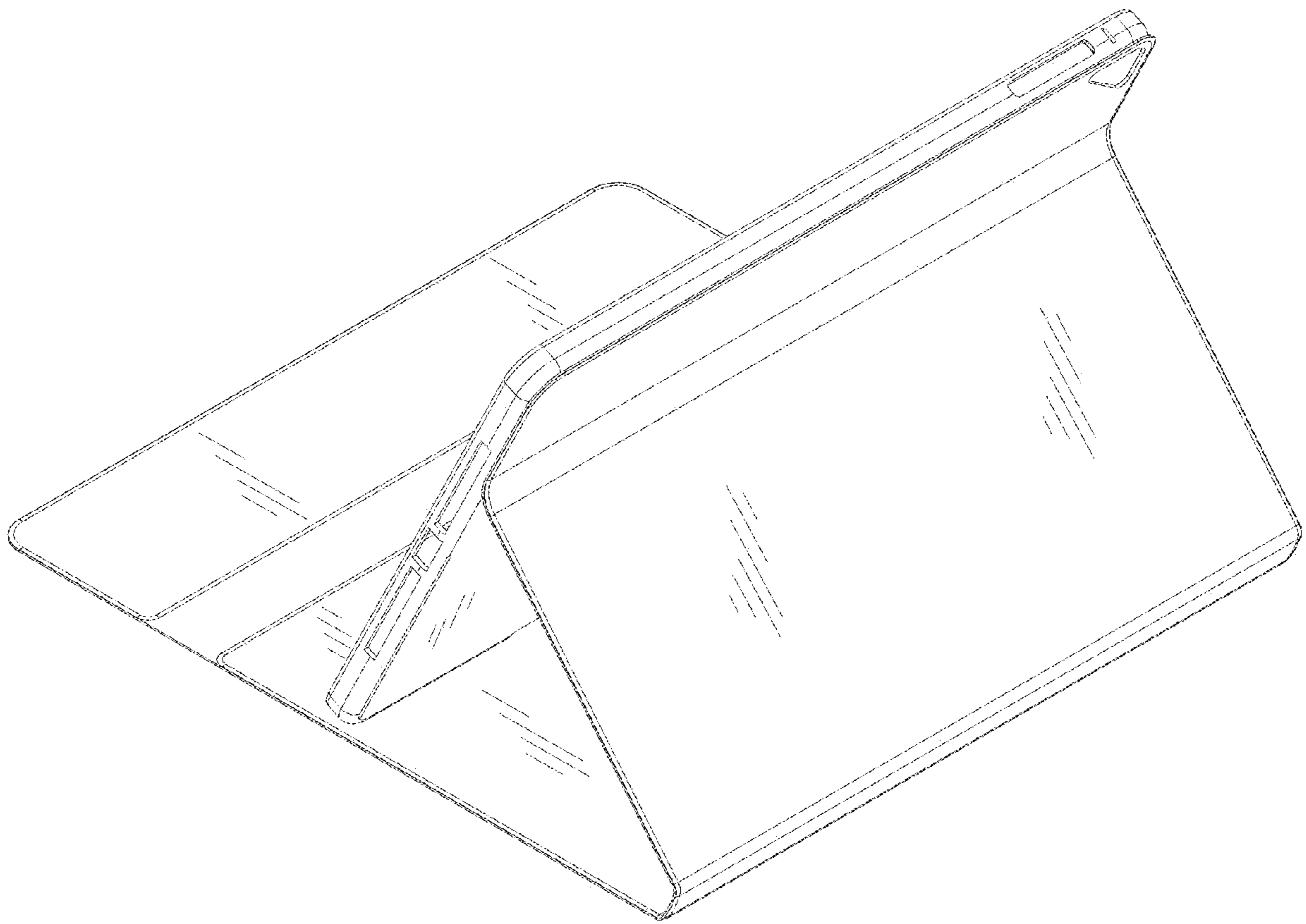


FIG. 9