



US00D885391S

(12) **United States Design Patent** (10) **Patent No.:** **US D885,391 S**  
**Chin** (45) **Date of Patent:** **\*\* May 26, 2020**

(54) **USB ADAPTER APPARATUS**  
(71) Applicant: **Kien Hoe Daniel Chin**, Fremont, CA (US)  
(72) Inventor: **Kien Hoe Daniel Chin**, Fremont, CA (US)  
(\*\*) Term: **15 Years**  
(21) Appl. No.: **29/668,987**  
(22) Filed: **Nov. 4, 2018**  
(51) **LOC (12) Cl.** ..... **14-02**  
(52) **U.S. Cl.**  
USPC ..... **D14/433**; D14/434; D14/357  
(58) **Field of Classification Search**  
USPC ... D14/434, 433, 435, 435.1, 356, 357, 358, D14/440, 447, 251-253, 432, 451, 452, D14/454, 217, 240, 299, 496, 171; D13/103, 107, 108, 184, 110, 123, 133, D13/135; D21/333  
CPC ..... G06F 1/1632; G06F 13/00; G06F 13/38; G06F 13/382; G06F 13/385; G06F 13/387; G06F 3/065; G06F 9/541; G06F 2213/3814; G06F 2213/40; G06F 2213/4004; H01R 31/06; H01R 31/065; H01R 27/00; H01R 13/512; H01R 13/62; H04R 5/04  
See application file for complete search history.

(56) **References Cited**  
U.S. PATENT DOCUMENTS  
D413,312 S \* 8/1999 Suzuki ..... D14/434  
D560,165 S \* 1/2008 Matityahu ..... D13/133  
8,419,479 B2 \* 4/2013 Vroom ..... H01R 13/512  
361/679.45

D709,892 S \* 7/2014 Lui ..... D14/433  
D800,730 S \* 10/2017 Liao ..... D14/433  
D813,875 S \* 3/2018 Liao ..... D14/434  
D830,366 S \* 10/2018 Turksu ..... D14/433  
D839,876 S \* 2/2019 Turksu ..... D14/435.1  
D854,019 S \* 7/2019 Liao ..... D14/434  
D854,544 S \* 7/2019 Liao ..... D14/434  
D855,054 S \* 7/2019 Turksu ..... D14/433  
D855,616 S \* 8/2019 Chin ..... D14/433  
D862,474 S \* 10/2019 Liu ..... D14/433  
D864,205 S \* 10/2019 Wang ..... D14/433  
D864,208 S \* 10/2019 Duan ..... D14/433  
D864,964 S \* 10/2019 Lyu ..... D14/433  
D864,967 S \* 10/2019 Liu ..... D14/434  
D866,557 S \* 11/2019 Xiong ..... D14/433  
2003/0216069 A1 \* 11/2003 Huang ..... G06F 1/266  
439/105

\* cited by examiner

*Primary Examiner* — Marie D. Fast Horse  
(74) *Attorney, Agent, or Firm* — Alexander Chen, Esq.

(57) **CLAIM**

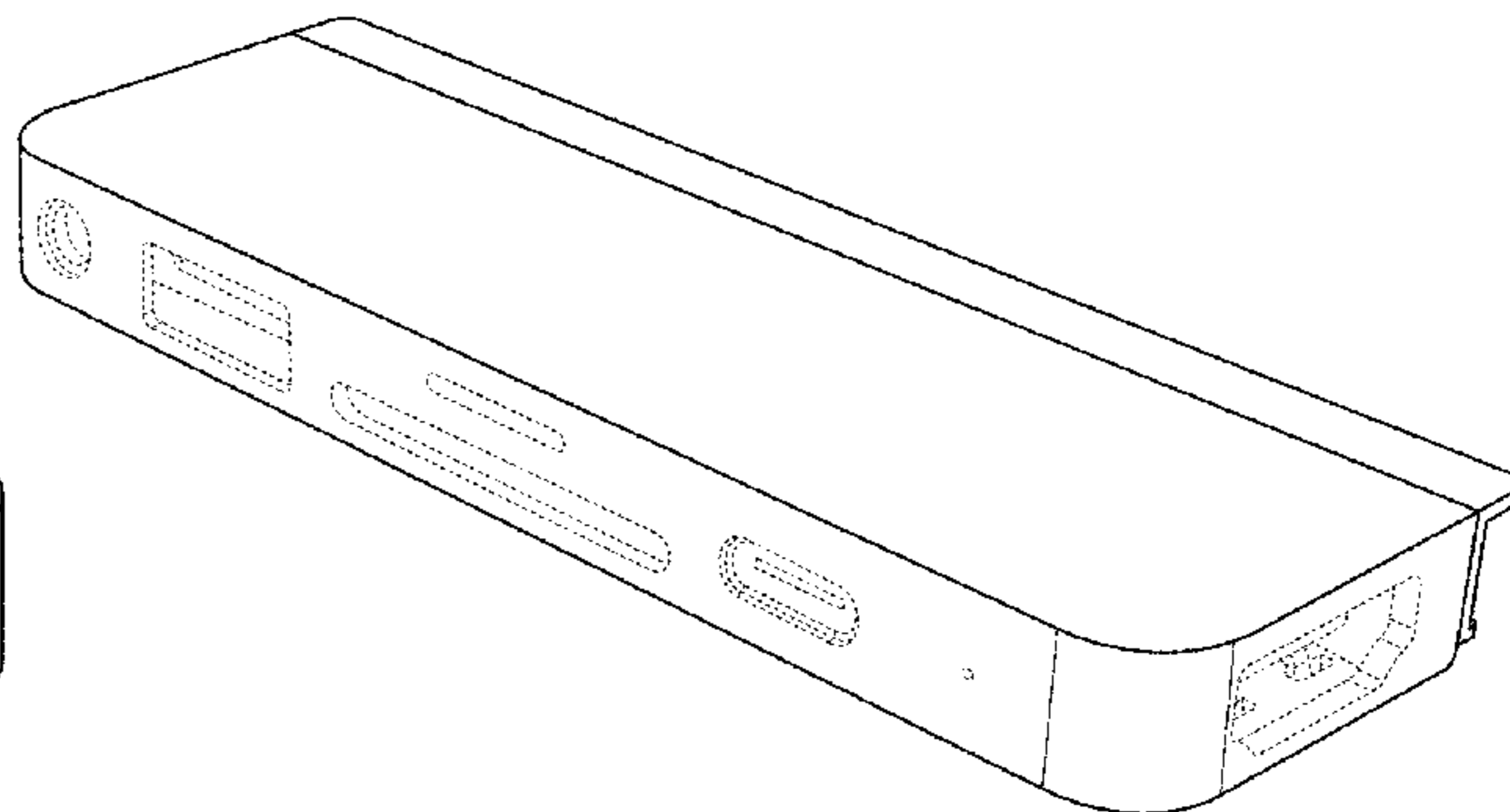
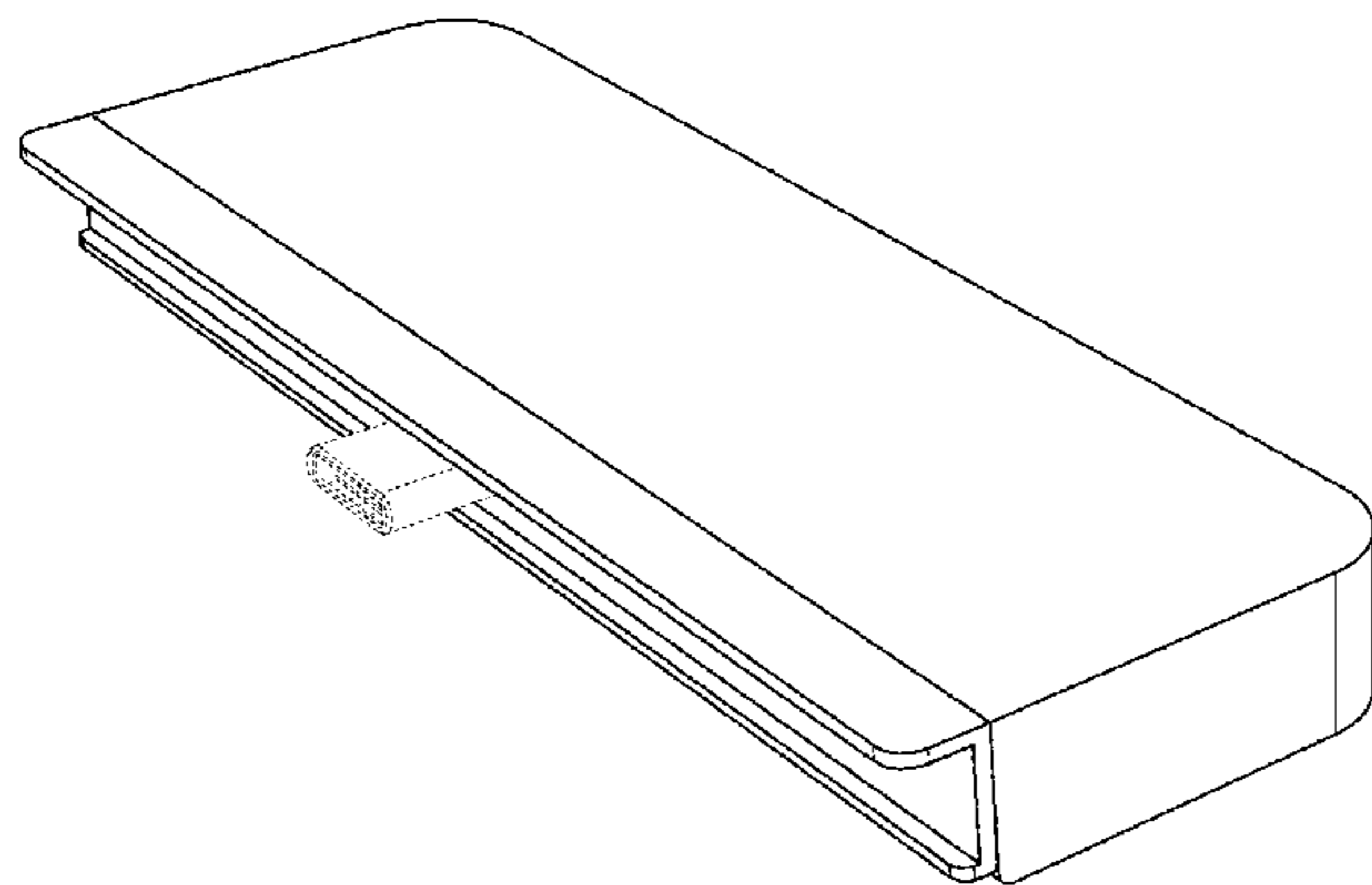
The ornamental design for a USB adapter apparatus, as shown and described.

**DESCRIPTION**

FIG. 1 is a perspective view of an USB adapter apparatus; FIG. 2 is a back view thereof; FIG. 3 is a perspective and exploded view thereof; and, FIG. 4 is a side view thereof shown attached to unclaimed environment.

The broken lines showing the ports and connector on the USB adapter apparatus depict portions of the USB adapter apparatus that form no part of the claimed design. The additional broken line shown attached to the USB adapter apparatus in FIG. 4 depict unclaimed environmental structure and form no part of the claim.

**1 Claim, 3 Drawing Sheets**



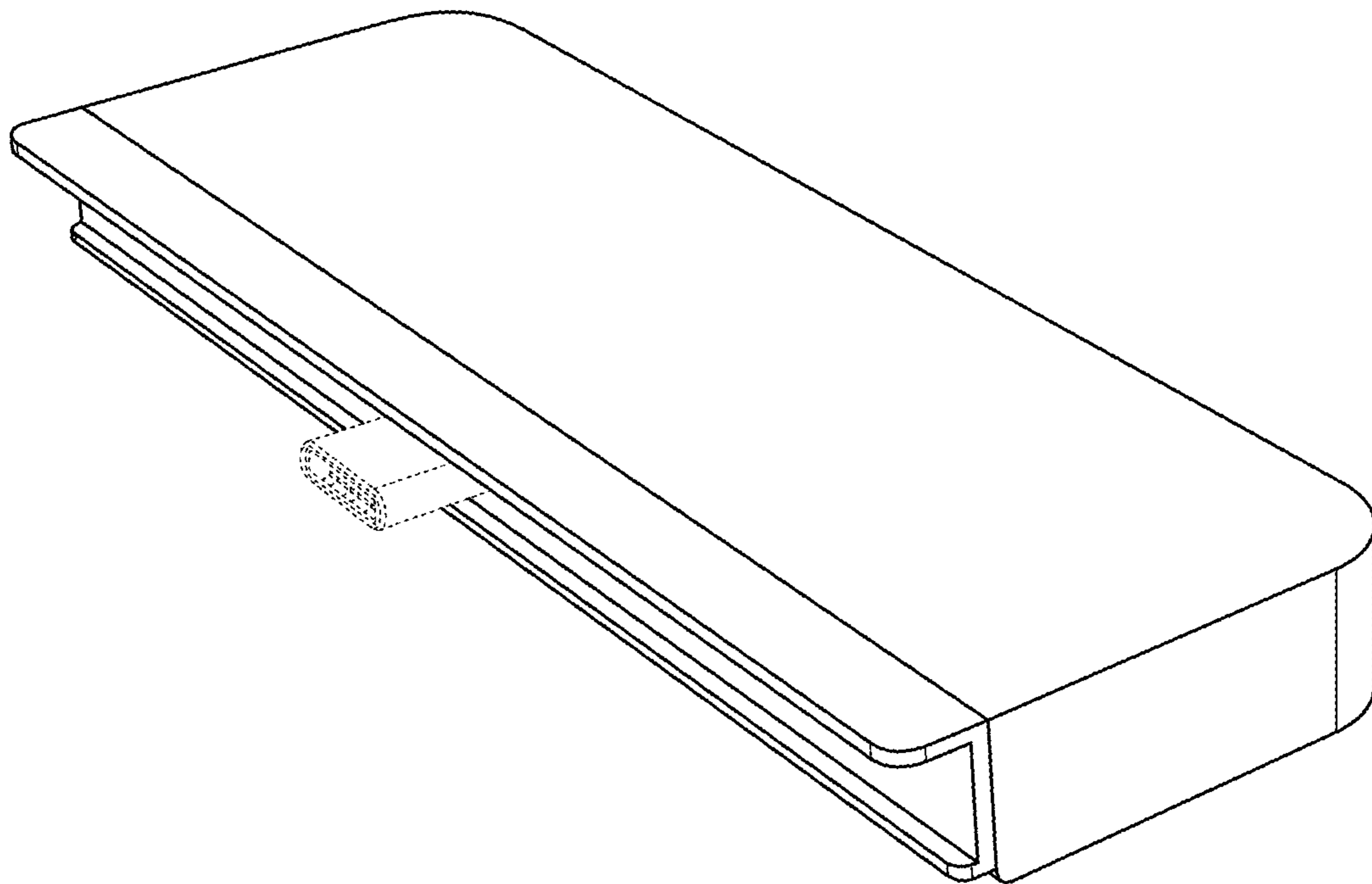


FIG. 1

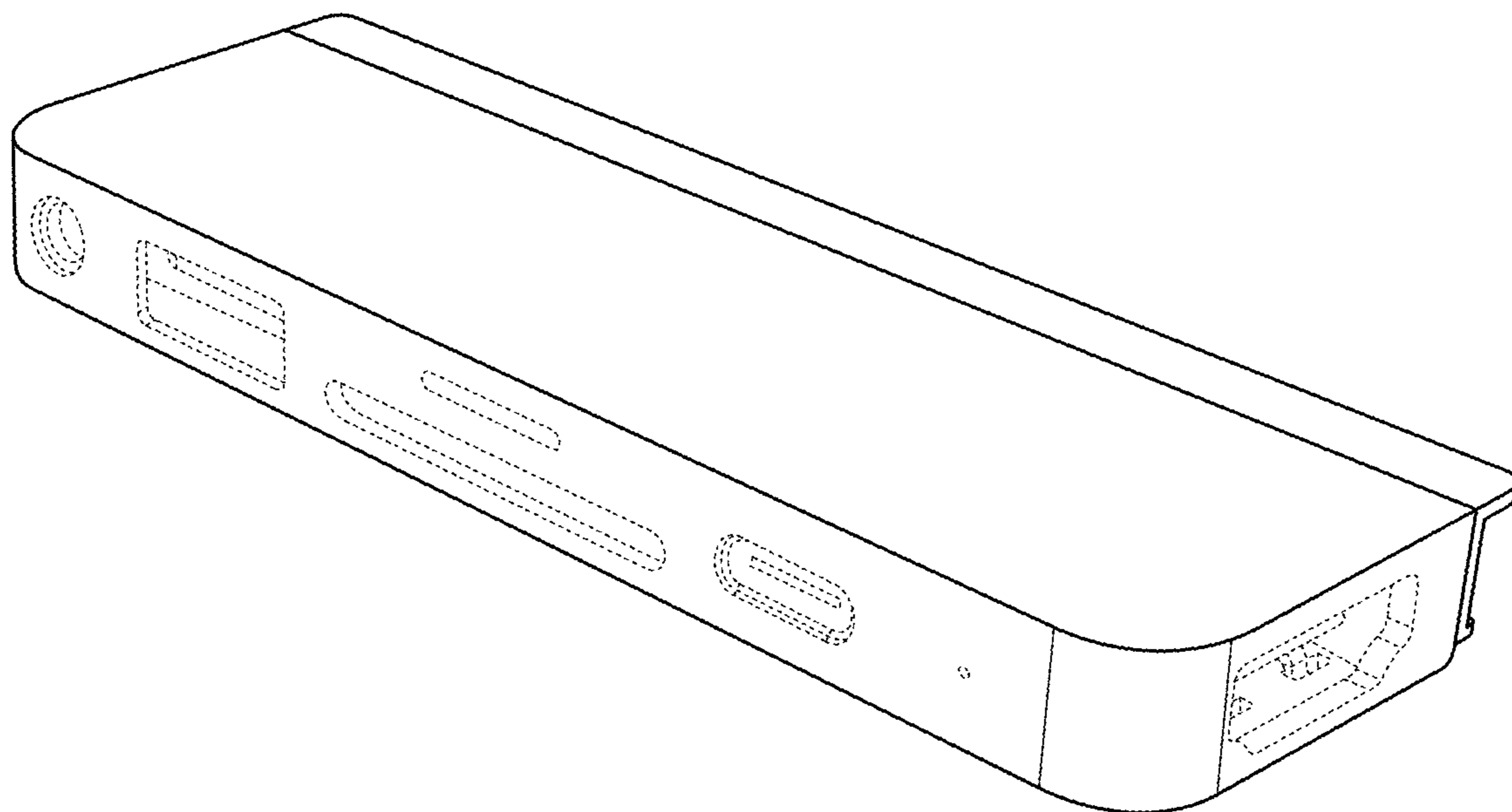


FIG. 2

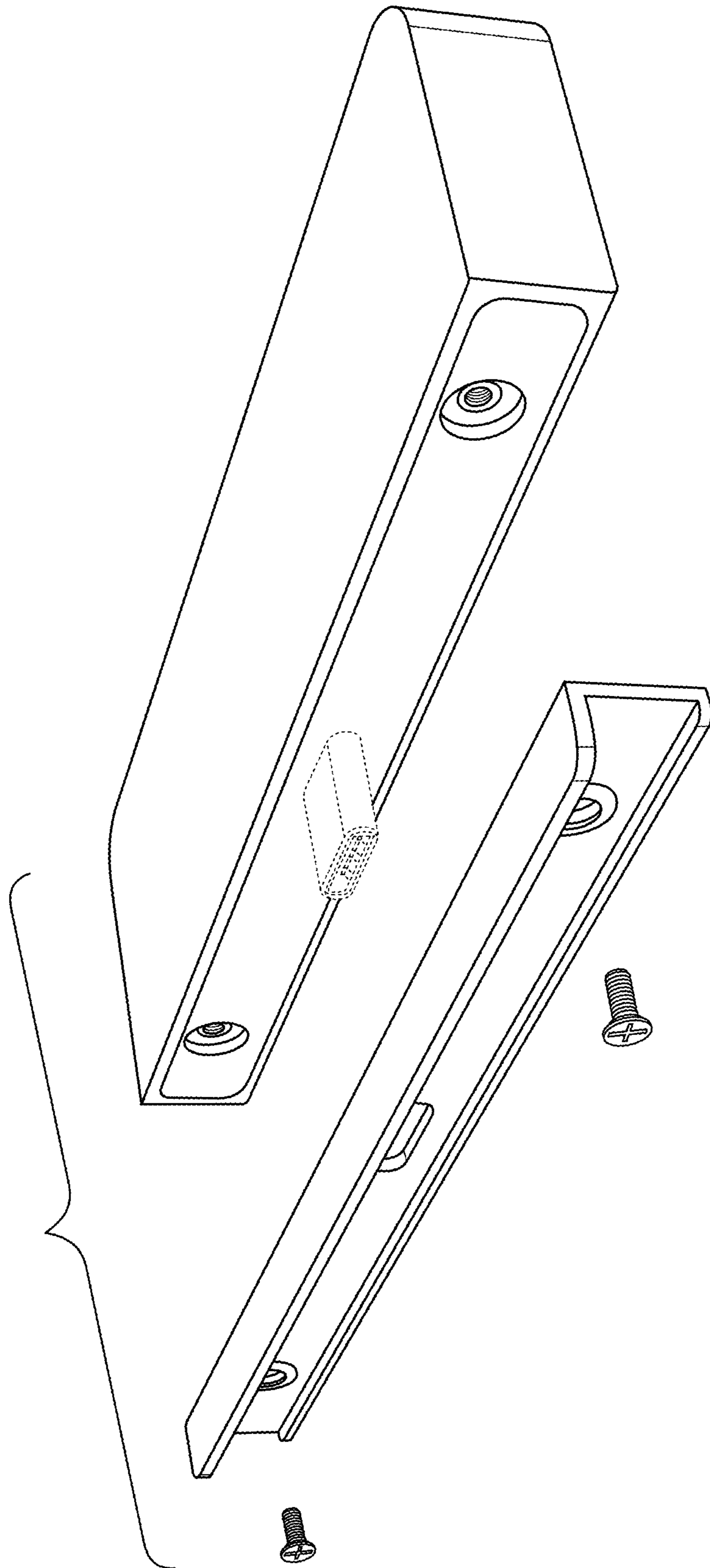


FIG. 3

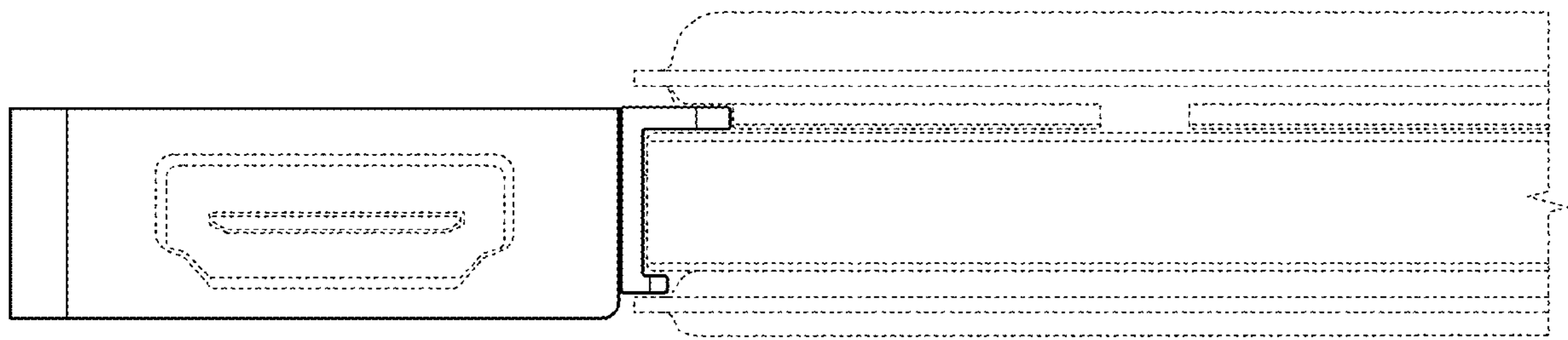


FIG. 4