



US00D885389S

(12) **United States Design Patent**
Sawabe et al.

(10) **Patent No.:** **US D885,389 S**

(45) **Date of Patent:** **** May 26, 2020**

(54) **IMAGE SENSOR FOR SCANNER**

(56) **References Cited**

(71) Applicant: **Mitsubishi Electric Corporation,**
Tokyo (JP)

U.S. PATENT DOCUMENTS

(72) Inventors: **Toshiyuki Sawabe,** Tokyo (JP);
Kosaku Yamagata, Tokyo (JP)

D147,467 S * 9/1947 Meyer D26/76
D163,832 S * 7/1951 Smith et al. D26/76

(73) Assignee: **Mitsubishi Electric Corporation,**
Tokyo (JP)

(Continued)

(**) Term: **15 Years**

Primary Examiner — Susan Moon Lee

(21) Appl. No.: **29/632,256**

(74) *Attorney, Agent, or Firm* — Studebaker & Brackett
PC

(22) Filed: **Jan. 5, 2018**

(57) **CLAIM**

The ornamental design for an image sensor for scanner, as shown and described.

(30) **Foreign Application Priority Data**

DESCRIPTION

Sep. 4, 2017 (JP) 2017-019058
Sep. 4, 2017 (JP) 2017-019059
Sep. 4, 2017 (JP) 2017-019060
Sep. 4, 2017 (JP) 2017-019061

FIG. 1 is a front, top, and left side perspective view of an image sensor for scanner showing the first embodiment of our new design;

(51) **LOC (12) Cl.** **14-02**

FIG. 2 is a rear, bottom, and right side perspective view thereof;

(52) **U.S. Cl.**
USPC **D14/420; D14/421; D14/453**

FIG. 3 is a front view thereof;

(58) **Field of Classification Search**

USPC D14/421–425, 420; D18/55, 49, 46, 40,
D18/36–39, 41, 44, 45, 47, 48, 50–54,
D18/56; 235/462, 455, 470, 462.43, 482,
235/483, 462.21, 472.01, 435, 439, 440,
235/446, 454, 461, 462.32, 462.35,
235/462.41, 462.42, 463; 358/474, 486,
358/488, 496, 497, 498, 452, 449, 451,
358/453, 1.13; 318/685, 696; 355/81,
355/75; 399/405, 367, 379, 380;
382/217; 715/209, 222, 226, 274;
400/613, 613.1–613.4, 690.1–690.4,
400/691–694; D26/1–3, 24, 56, 72,
D26/74–86, 88–91, 25; D13/180, 182;
362/150, 217.01–217.09, 217.1, 217.12,
(Continued)

FIG. 4 is a rear view thereof;

FIG. 5 is a left side view thereof;

FIG. 6 is a right side view thereof;

FIG. 7 is a top view thereof;

FIG. 8 is a bottom view thereof;

FIG. 9 is an enlarged view of a part of FIG. 1 thereof;

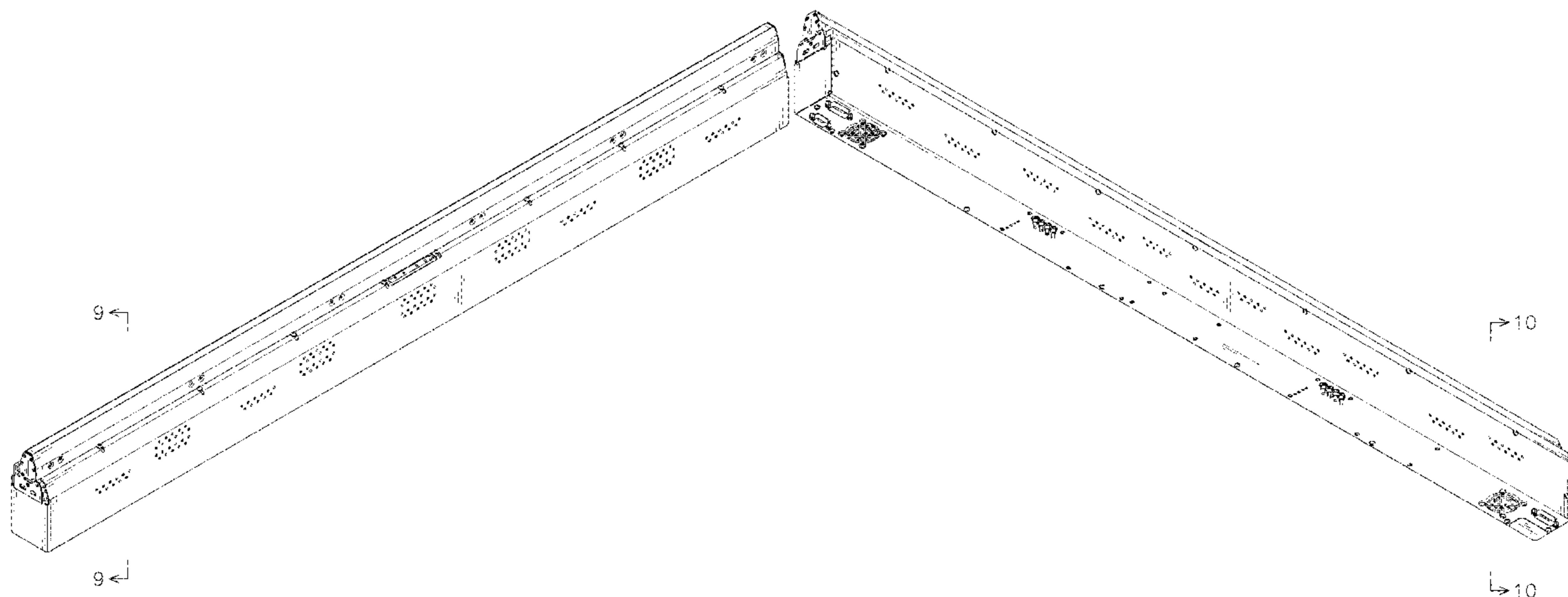
FIG. 10 is an enlarged view of a part of FIG. 2 thereof;

FIG. 11 is an enlarged view of a part of FIG. 3 thereof; and,

FIG. 12 is an enlarged left side view thereof.

Broken lines and unshaded portions contained within broken lines depict exemplary elements of the image sensor that are shown for illustrative purposes only and that form no part of the claimed design. Dotted and dashed lines represent boundaries between the portions intended for registration as a partial design and the other portions.

1 Claim, 12 Drawing Sheets



(58) **Field of Classification Search**

USPC .. 362/217.13, 260, 364, 365, 366, 404, 555,
 362/576, 800, 14, 148, 296.01
 CPC .. D07G 1/0036; D07G 1/0045; D07G 1/0063;
 D07G 1/0072; D07G 1/009; G08B
 13/1427; G08B 13/1472; G08B 13/1481;
 G08B 13/194; G08B 13/246; G08B
 13/2462; G08B 13/2465; A47F 9/04;
 A47F 9/046; A47F 9/047; A47F 9/048;
 A47F 10/02; A47F 2010/005; A47F
 2010/025; G06K 7/10693; G06K
 7/10712; G06K 7/10722; G06K 7/10792;
 G06K 7/10801; G06K 7/10811; G06K
 7/10831; G06K 7/10851; G06K 7/10861;
 G06K 7/10871; G06K 7/1096; G06K
 7/1097; G06K 7/1098; G06K 7/12; G06K
 7/14; G06K 7/1408; G06K 7/1413; G06K
 7/1417; G06K 7/1421; G06K 7/1426;
 G06K 7/143; G06K 7/1434; G06K
 7/1447; G06K 7/1452; G06K 7/1456;
 G06K 7/146; G06K 7/1465; G06K
 7/1469; G06K 7/1473; G06K 7/1478;
 G06K 7/1482; G06K 7/1486; G06K
 7/1439; G06K 7/1443; G06K
 2007/10485; G06K 7/10544-10762;
 G06K 7/10821-10871; G06K
 7/1404-1495; G06K 2207/00; G06K
 2207/1011-1018; G01G 19/4144; G01G
 21/22; G01G 21/28; G01G 23/32; G01G
 23/34; G01G 23/35; G01G 23/375; G01G
 23/38; G01G 23/44; G07G 1/0063; G07G
 1/0072; G07G 3/006; G02B 5/09; G02B
 6/00; G06T 2211/00; H04N 1/0313-032;
 H04N 1/02815-02895; H04N 1/0249;
 H04N 1/02481; H04N 1/00; H04N 1/12;
 H04N 1/00013; H04N 1/00015; H04N
 1/00018; H04N 1/00026; H04N 1/00557;
 H04N 1/00564; H04N 1/00567; H04N
 1/0057; H04N 1/00572; H04N 1/00586;
 H04N 1/00588; H04N 1/00591; H04N
 1/00594; H04N 1/00596; H04N 1/00604;
 H04N 1/00519; H04N 1/00559; H04N
 1/00551; H04N 1/00278; H04N 1/1013;
 H04N 1/10; H04N 5/2251-2256; H04N
 2201/02456; H04N 2201/02458; H04N
 2201/02462; H04N 2201/03468; H04N
 2201/02485; H04N 2201/0249; H04N
 2201/02481; H04N 2201/0456; H04N
 2201/0446; H04N 2201/00; H04N
 2201/0094; H01L 27/14618-14643; H01L
 27/14649; H01L 27/14652; H01L
 27/14658-1467; H01L 31/0232-02327;
 H01L 31/1055; H01L 31/14; G03G
 15/0142; G03G 15/605; G03G 15/602;
 F21S 2/00; F21S 4/00; F21S 4/003; F21S
 4/005; F21S 4/006; F21S 4/007; F21S
 4/008; F21S 6/00; F21S 8/00; F21S
 8/024; F21S 8/026; F21S 8/031; F21S

8/033; F21S 8/035-037; F21S 8/04; F21S
 8/043; F21S 8/063

See application file for complete search history.

(56)

References Cited

U.S. PATENT DOCUMENTS

5,945,664	A *	8/1999	Ogura	H04N 1/031 250/208.1
6,147,339	A *	11/2000	Matsumoto	H04N 1/0312 250/208.1
6,295,141	B1 *	9/2001	Ogura	H04N 1/02835 358/475
6,360,030	B1 *	3/2002	Kawai	H04N 1/031 358/484
6,744,033	B2 *	6/2004	Ikeda	H04N 1/02815 250/208.1
D519,237	S *	4/2006	Kopp	D26/76
D521,675	S *	5/2006	Chen	D26/76
D544,983	S *	6/2007	Hargreaves	D26/76
D547,897	S *	7/2007	Willmorth	D26/75
7,484,873	B2 *	2/2009	Dejima	G02B 6/002 362/606
7,591,576	B2 *	9/2009	Okamoto	H04N 1/02815 355/1
D642,725	S *	8/2011	Kong	D26/76
D695,942	S *	12/2013	Ng	D26/75
D701,990	S *	4/2014	Rodgers	D26/76
D732,226	S *	6/2015	Hartman	D26/76
D735,392	S *	7/2015	Ng	D26/76
9,158,062	B2 *	10/2015	Yoshida	G02B 6/0096
D784,167	S *	4/2017	Fujiuchi	D10/102
D784,337	S *	4/2017	Fujiuchi	D14/420
D785,626	S *	5/2017	Fujiuchi	D14/420
D785,627	S *	5/2017	Fujiuchi	D14/420
D785,628	S *	5/2017	Fujiuchi	D14/420
D785,629	S *	5/2017	Fujiuchi	D14/420
10,270,944	B2 *	4/2019	Kawano	G02B 3/0006
2005/0006562	A1 *	1/2005	Sugihara	H01L 27/14625 250/208.1
2009/0310190	A1 *	12/2009	Ikeda	H04N 1/02815 358/474
2010/0195166	A1 *	8/2010	Sawada	H01L 27/14627 358/475
2012/0154877	A1 *	6/2012	Kisara	H04N 1/0249 358/474
2014/0014819	A1 *	1/2014	Yoshida	G02B 6/0096 250/208.1
2014/0355296	A1 *	12/2014	Shigoku	G02B 6/0006 362/558
2015/0070735	A1 *	3/2015	Lu	H04N 1/02855 358/482
2015/0271354	A1 *	9/2015	Imoto	G02B 27/0966 362/308
2016/0006898	A1 *	1/2016	Tsumekawa	H04N 1/02835 358/484
2016/0014294	A1 *	1/2016	Matsuzawa	H04N 1/00167 358/475
2016/0037011	A1 *	2/2016	Fujiuchi	H04N 1/0315 358/471
2016/0133661	A1 *	5/2016	Fujiuchi	H04N 1/0318 257/432
2016/0261763	A1 *	9/2016	Fujiuchi	H04N 1/0315
2018/0249035	A1 *	8/2018	Fujiuchi	H04N 1/028

* cited by examiner

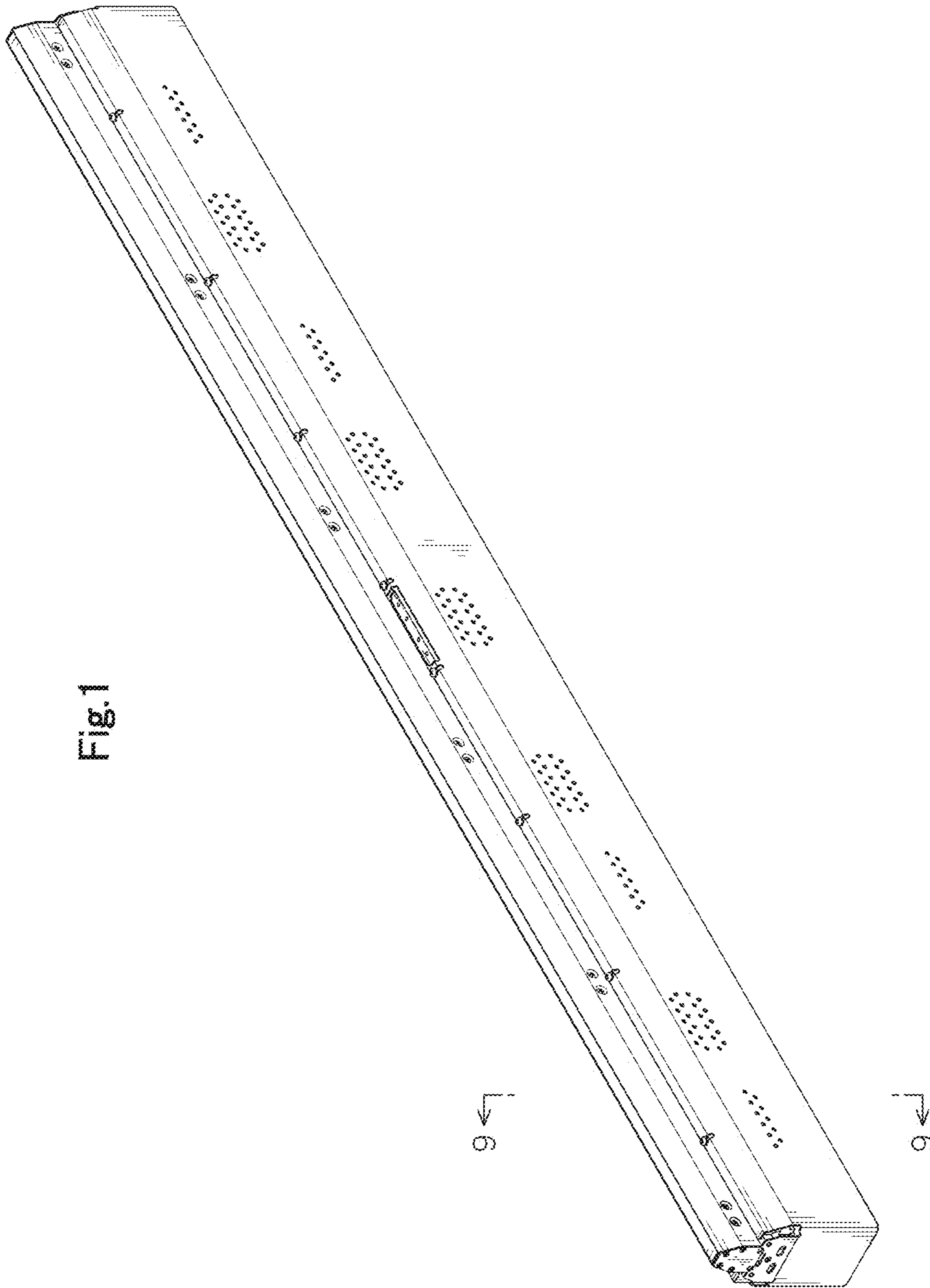


Fig. 1

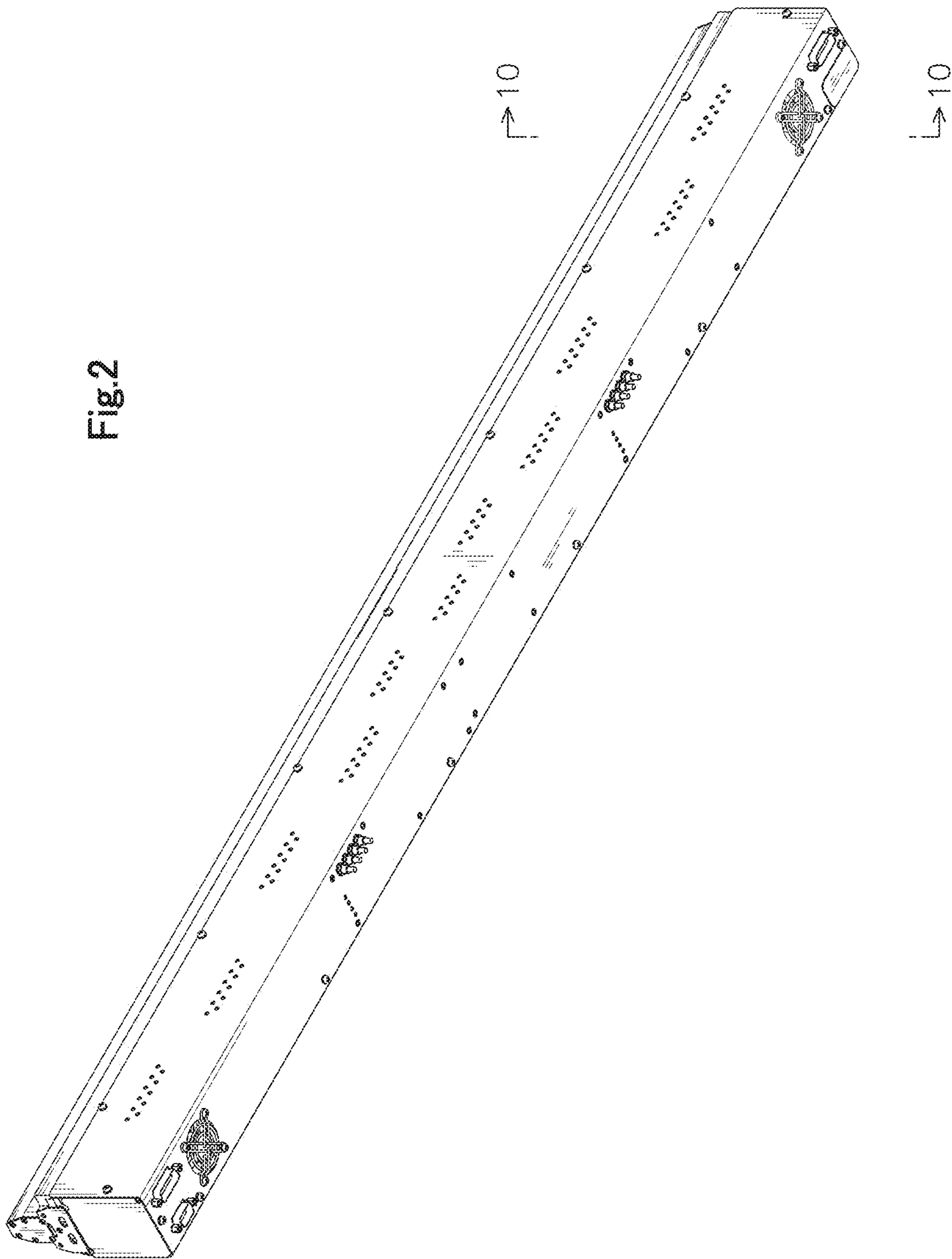


Fig. 2

Fig.3

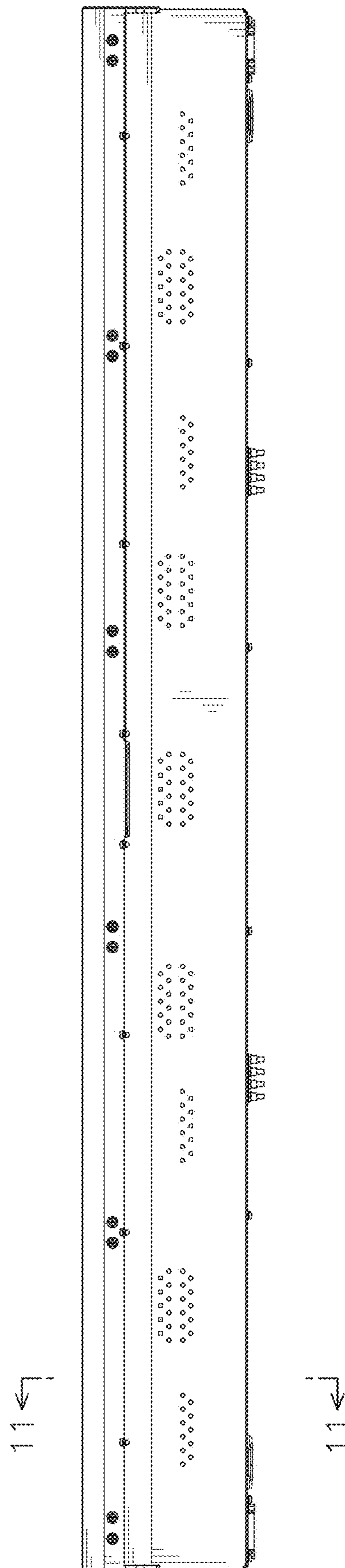


Fig.4

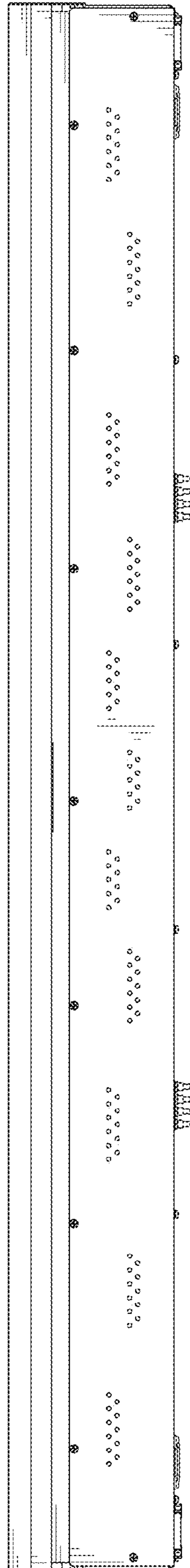


Fig.5

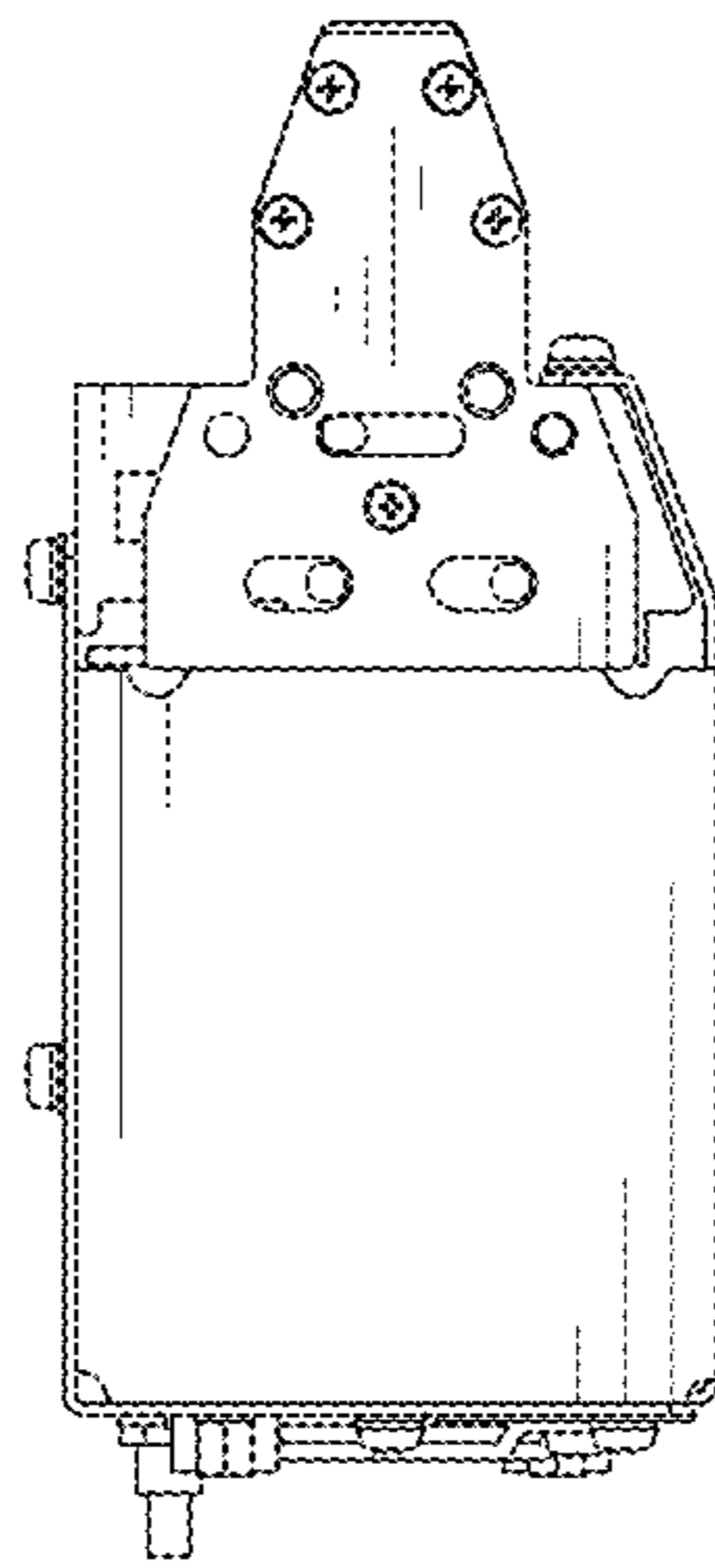


Fig.6

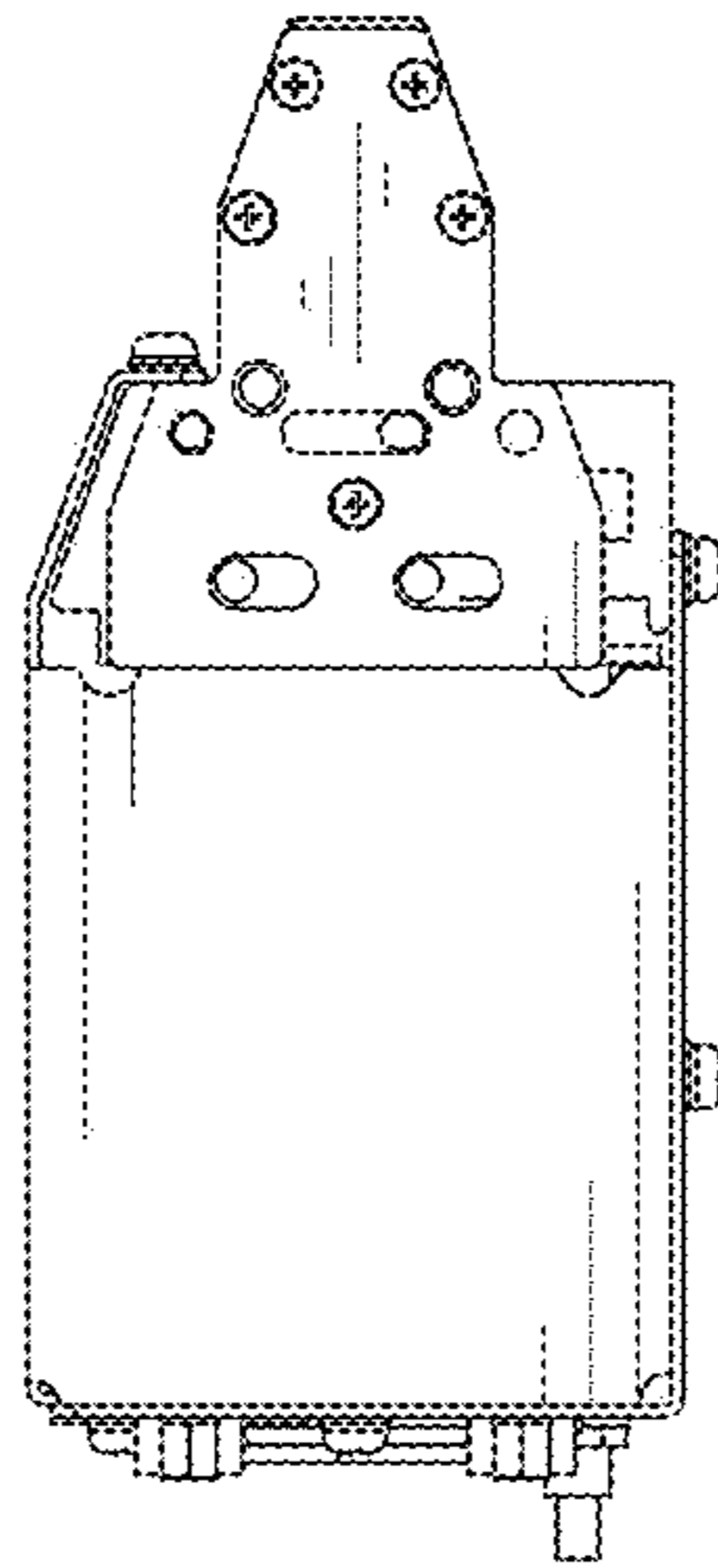


Fig. 7

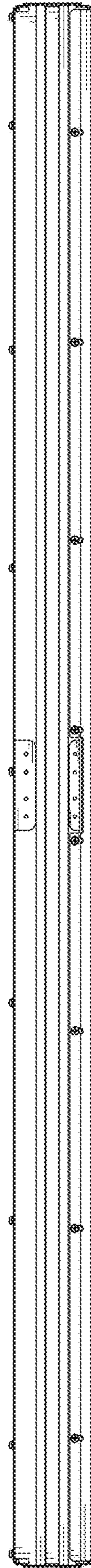


Fig. 8



Fig.9

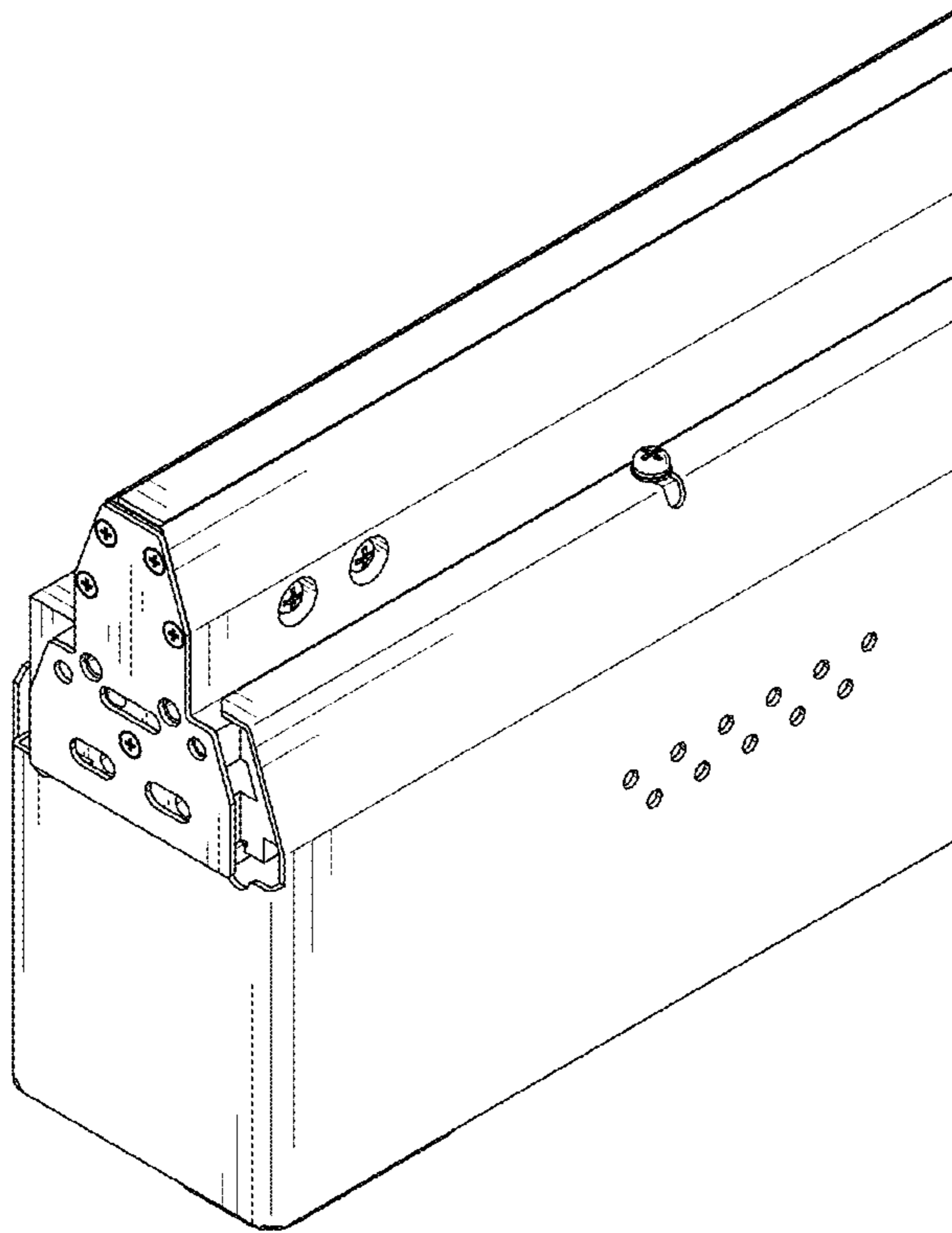


Fig.10

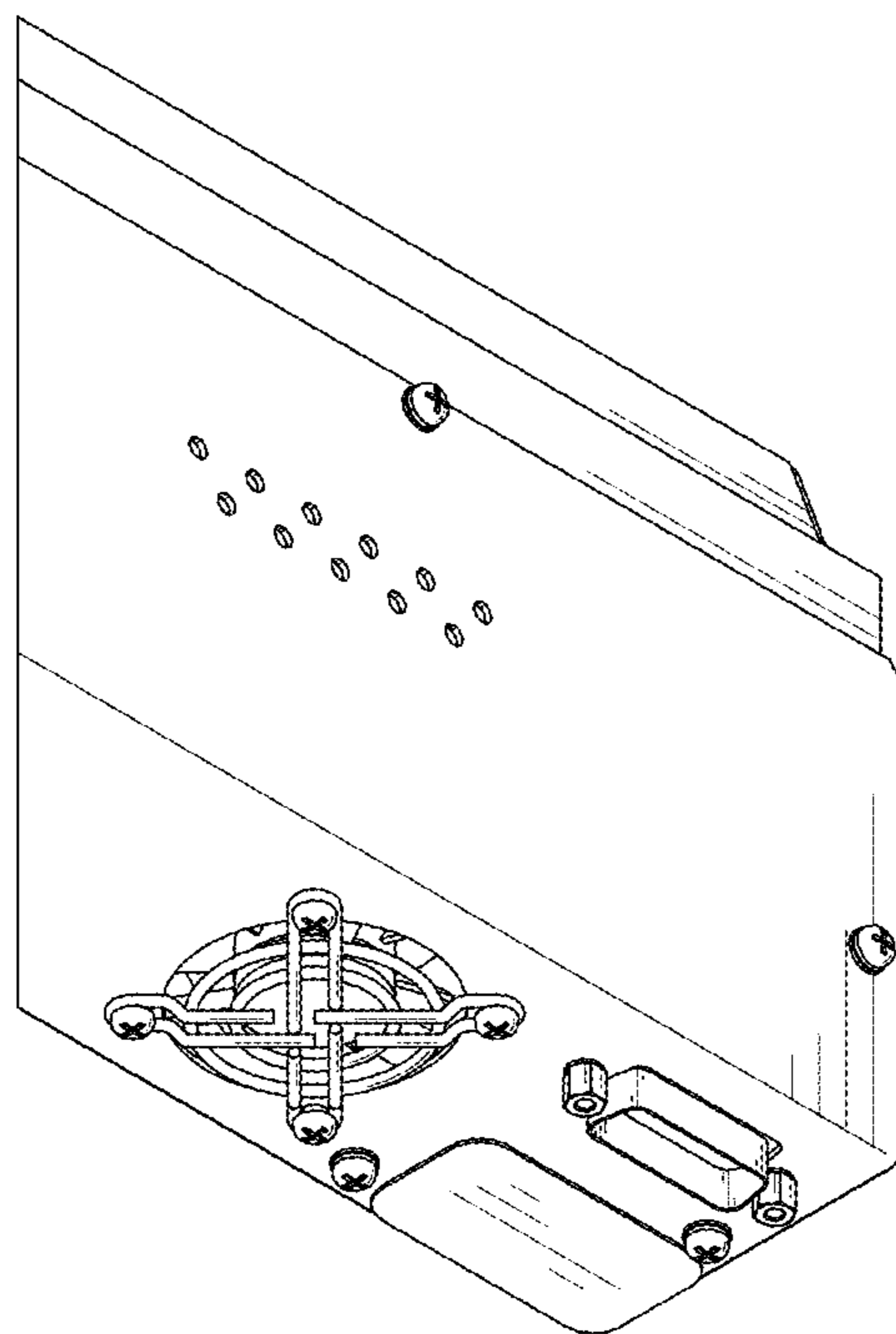


Fig.11

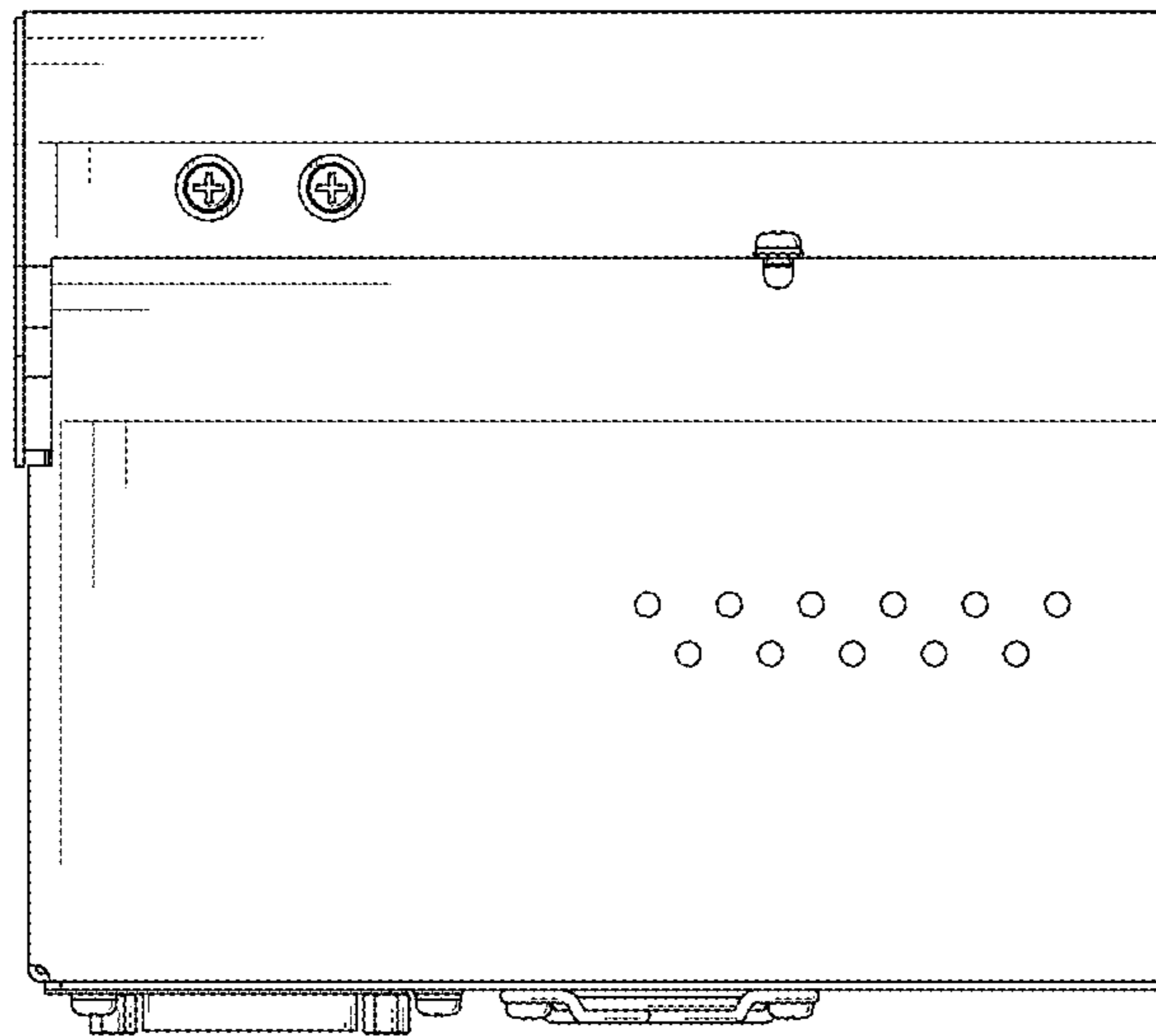


Fig.12

