



US00D885388S

(12) **United States Design Patent**
Woo

(10) **Patent No.:** **US D885,388 S**

(45) **Date of Patent:** **** May 26, 2020**

(54) **TRACKBALL**

(71) Applicant: **Chu Kwok Woo**, Kowloon (HK)

(72) Inventor: **Chu Kwok Woo**, Kowloon (HK)

(73) Assignee: **Group Intellect Technology Limited**,
Kowloon (HK)

(**) Term: **15 Years**

(21) Appl. No.: **29/677,434**

(22) Filed: **Jan. 21, 2019**

(51) **LOC (12) Cl.** **14-03**

(52) **U.S. Cl.**
USPC **D14/417**

(58) **Field of Classification Search**
USPC D14/402-411, 356, 388, 389, 383-385,
D14/417, 426; 345/156-167; 463/36-38;
358/471, 473; 273/148 B
CPC G06F 3/03543; G06F 2203/0333; G06F
3/039; G06F 3/038; G06F 2203/0384
See application file for complete search history.

(56) **References Cited**

U.S. PATENT DOCUMENTS

D289,306 S	*	4/1987	Burnstein	D14/417
D291,318 S	*	8/1987	Kim	D13/171
D301,256 S	*	5/1989	Iwata	D14/417
D303,662 S	*	9/1989	Hsiao	D14/407

D315,552 S	*	3/1991	Sacherman	D14/417
D320,199 S	*	9/1991	Koh	D14/417
D322,605 S	*	12/1991	Hayes	D14/417
D326,261 S	*	5/1992	Ashmun	D14/417
D332,093 S	*	12/1992	Yang	D14/417
D333,818 S	*	3/1993	Yang	D14/417
D335,658 S	*	5/1993	Barry	D14/417
D352,039 S	*	11/1994	Yurkonis	D14/225
D387,043 S	*	12/1997	Cheng	D14/417
D432,131 S	*	10/2000	Jones	D14/402
D829,801 S	*	10/2018	Park	D16/203

* cited by examiner

Primary Examiner — Austin Murphy

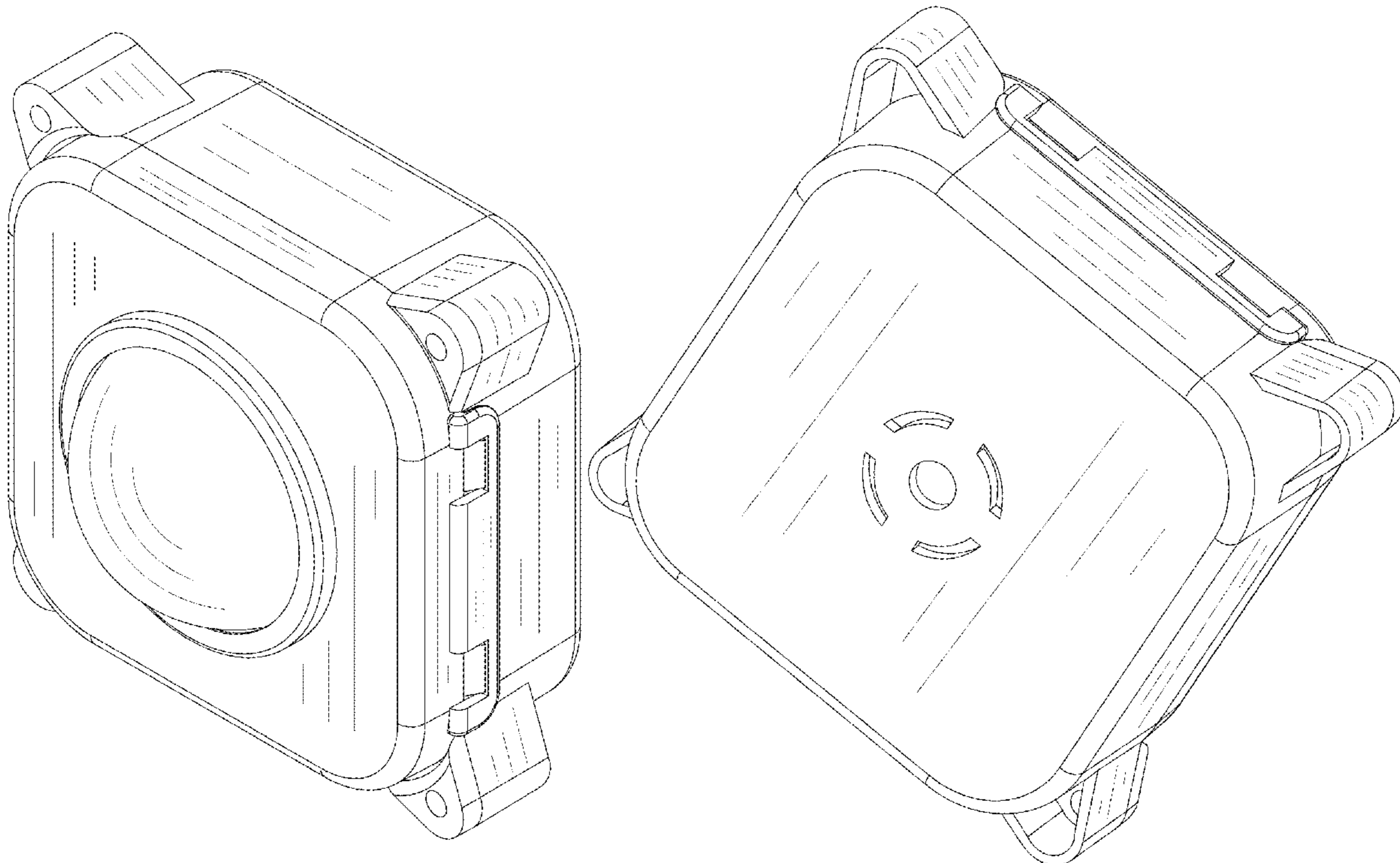
(57) **CLAIM**

The ornamental design for a trackball, as shown and described.

DESCRIPTION

FIG. 1 is a front perspective view of the trackball showing my new design;
FIG. 2 is a rear perspective view thereof;
FIG. 3 is a front elevational view thereof;
FIG. 4 is a rear elevational view thereof;
FIG. 5 is a left side elevational view thereof;
FIG. 6 is a right side elevational view thereof;
FIG. 7 is a top plan view thereof; and,
FIG. 8 is a bottom plan view thereof.

1 Claim, 8 Drawing Sheets



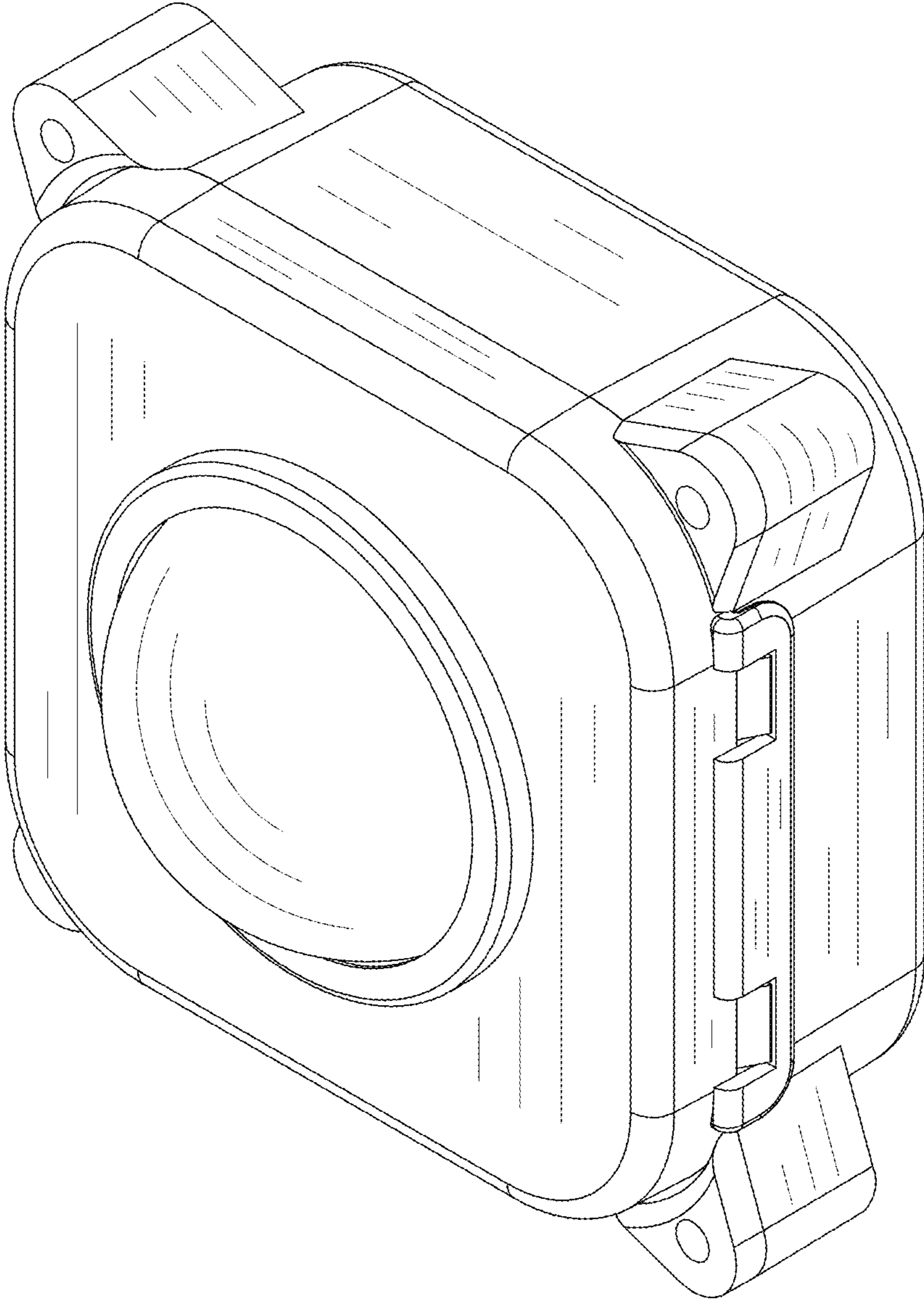


FIG. 1



FIG. 2

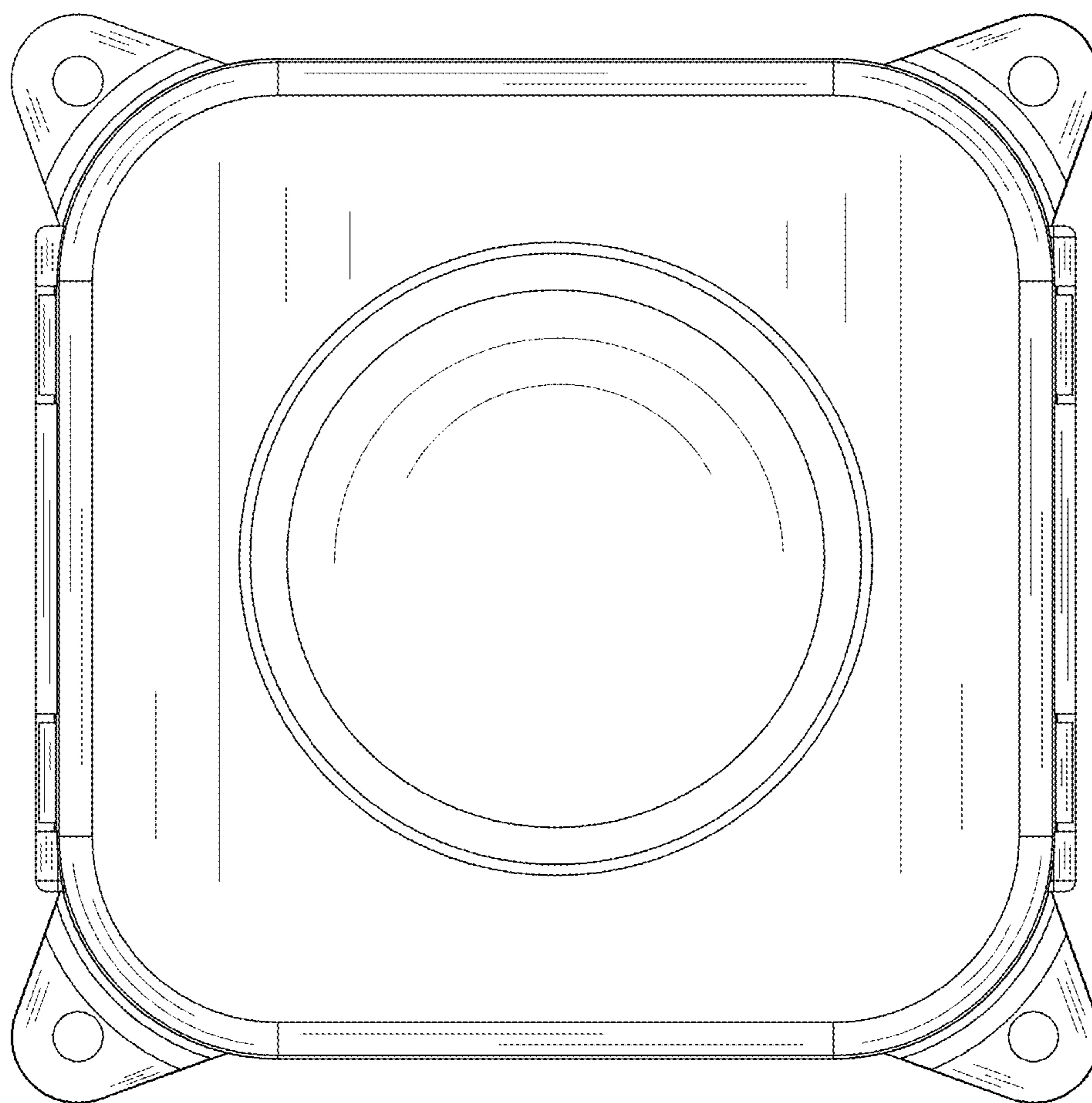


FIG. 3

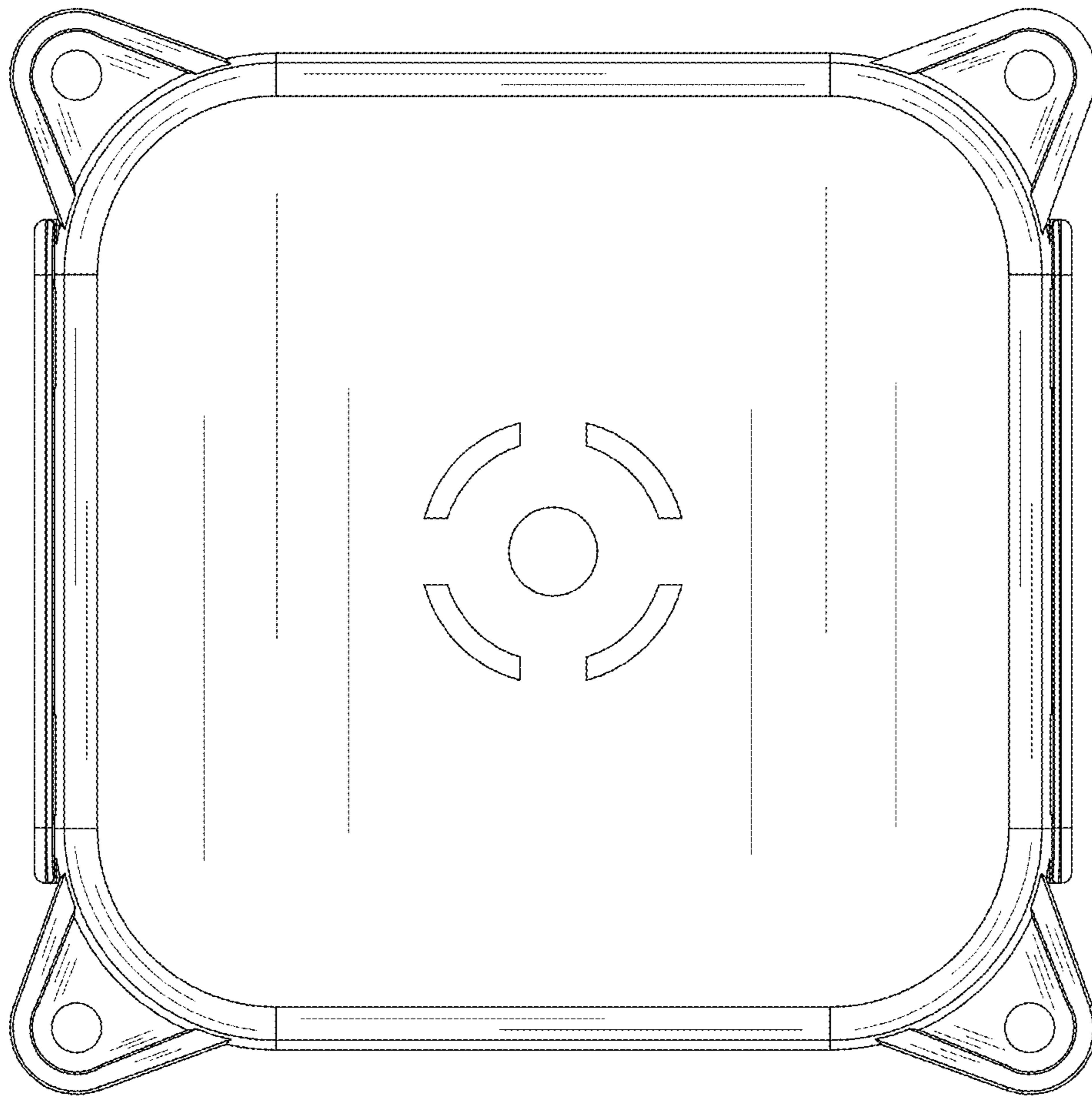


FIG. 4

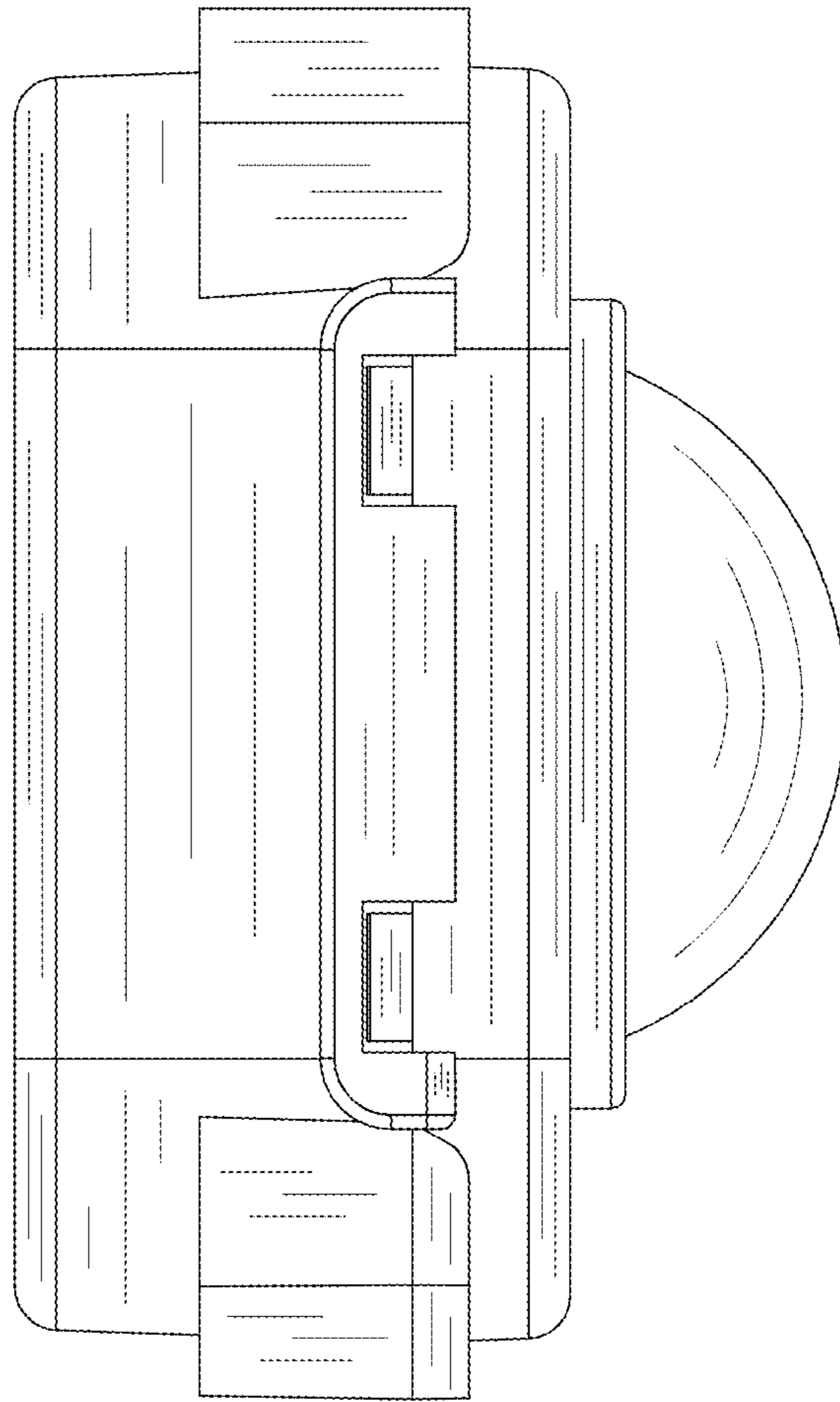


FIG. 5

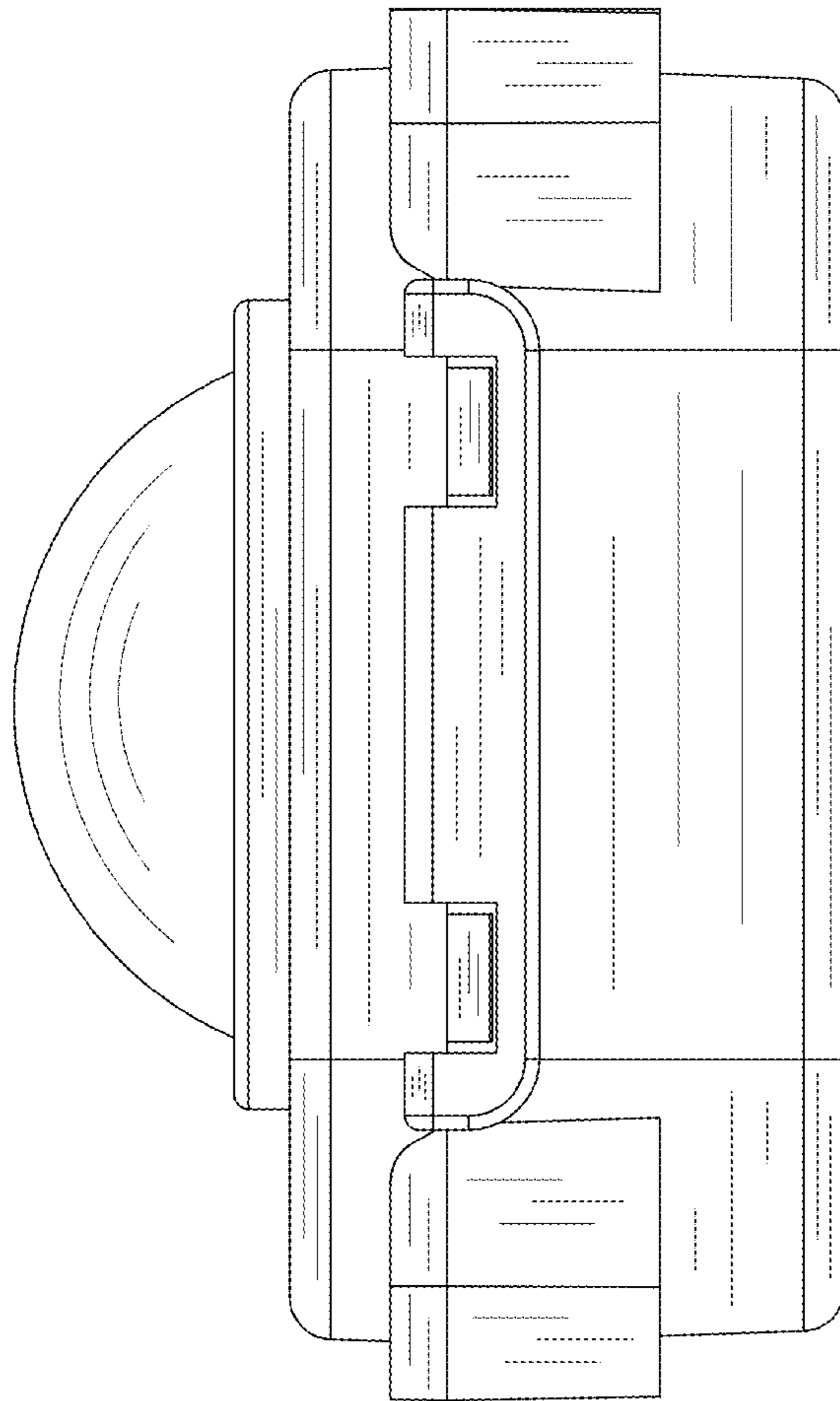


FIG. 6

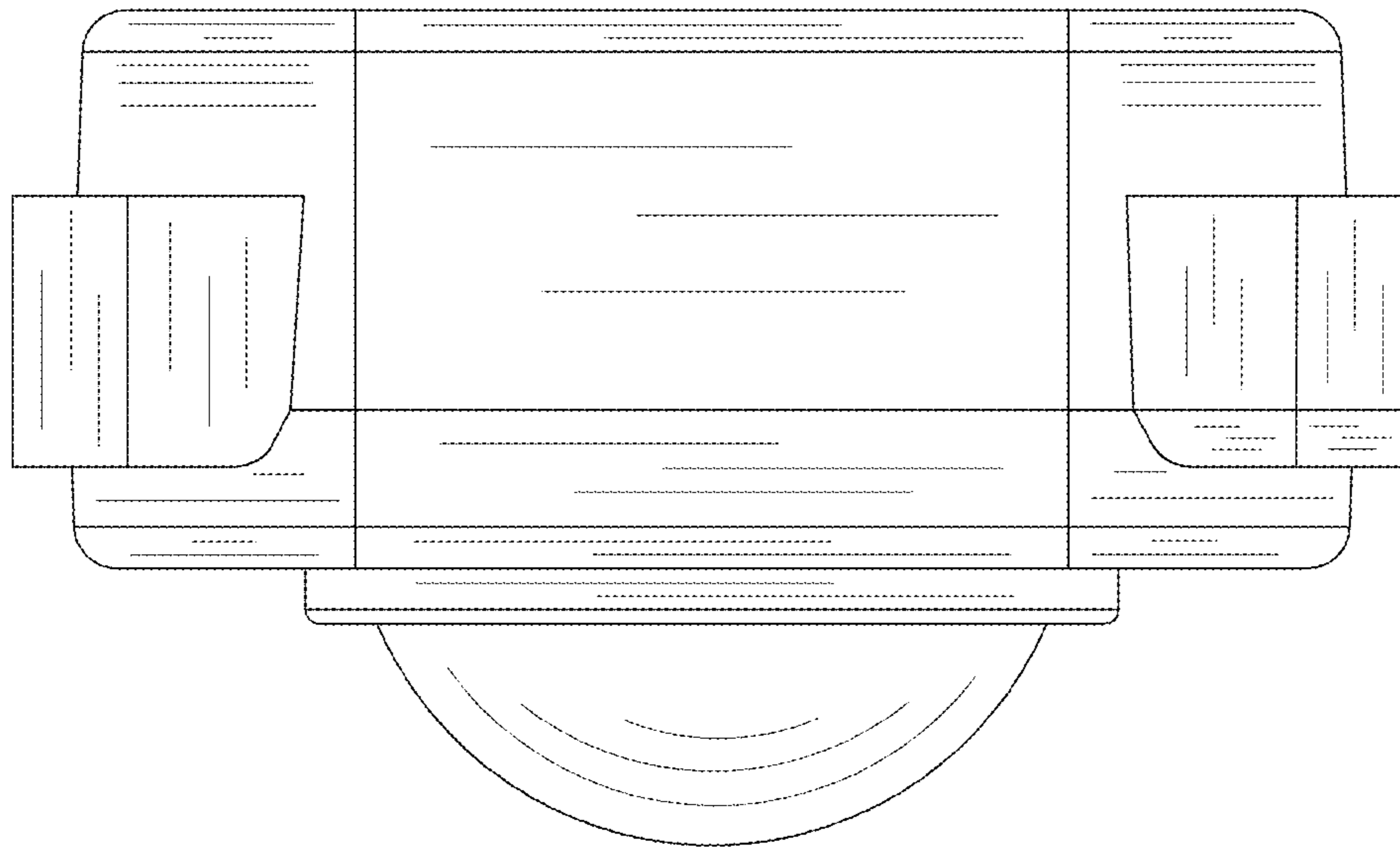


FIG. 7

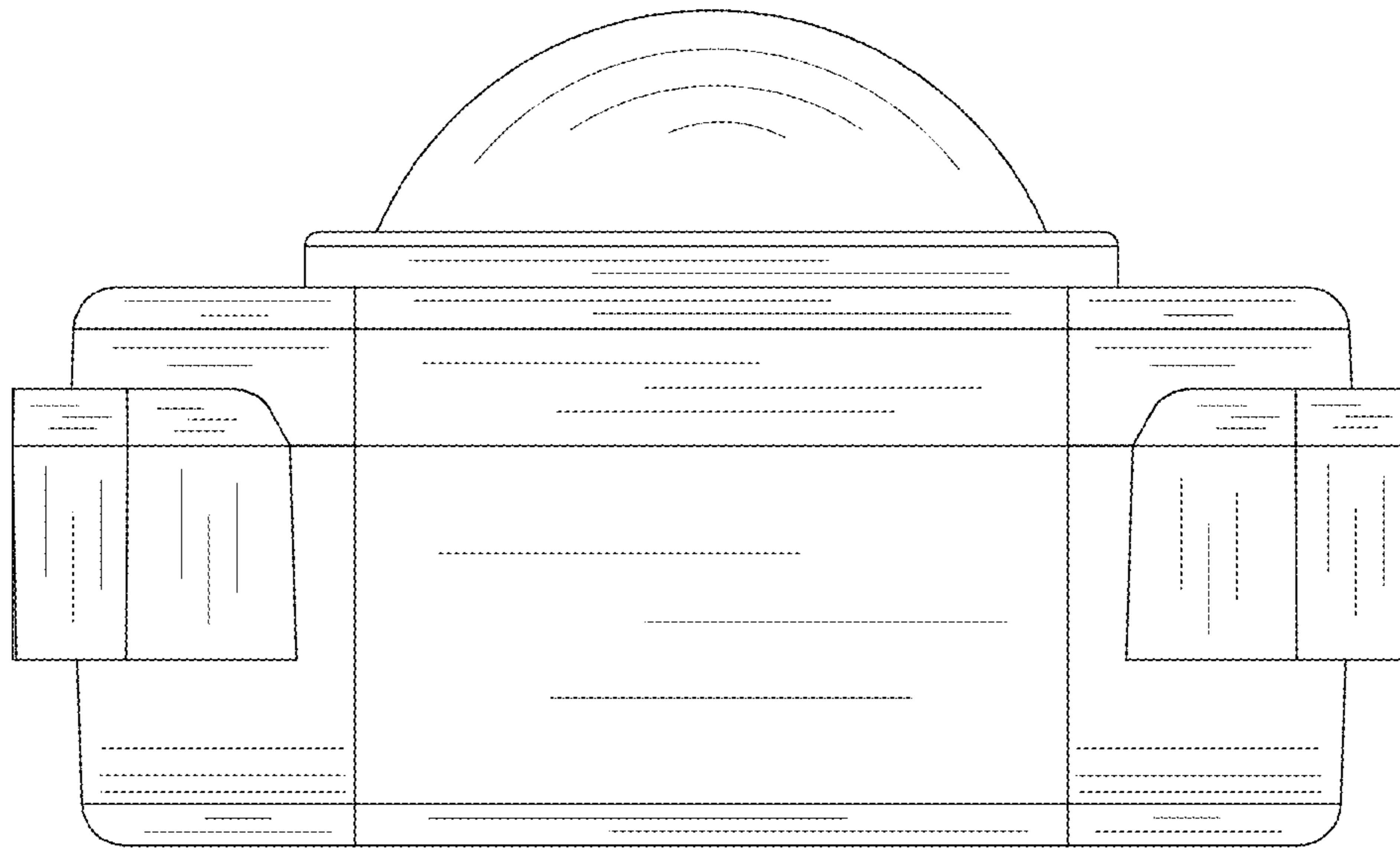


FIG. 8