



US00D885387S

(12) **United States Design Patent**
Hu

(10) **Patent No.:** **US D885,387 S**

(45) **Date of Patent:** **** May 26, 2020**

(54) **CONTROLLER**

(71) Applicant: **SHENZHEN QIANHAI PATUOXUN NETWORK AND TECHNOLOGY CO., LTD**, Shenzhen (CN)

(72) Inventor: **Zaihui Hu**, Shenzhen (CN)

(73) Assignee: **SHENZHEN QIANHAI PATUOXUN NETWORK AND TECHNOLOGY CO., LTD**, Shenzhen (CN)

(**) Term: **15 Years**

(21) Appl. No.: **29/714,952**

(22) Filed: **Nov. 27, 2019**

(30) **Foreign Application Priority Data**

May 27, 2019 (EM) 006521076-0002

(51) **LOC (12) Cl.** **14-02**

(52) **U.S. Cl.**
USPC **D14/401; D21/333**

(58) **Field of Classification Search**
USPC D14/400-418, 426-431, 454-455, 203.3, D14/218, 300, 356, 358, 383, 388, 399, D14/432; D21/324, 328, 331, 333, 566; D13/162, 162.1, 168; D10/78, 103
CPC .. A63F 9/02; A63F 9/24; A63F 9/0291; A63F 9/0252; A63F 13/00; A63F 13/23; A63F 13/24; A63F 13/26; A63F 13/98; A63F 13/02; A63F 13/12
See application file for complete search history.

(56) **References Cited**

U.S. PATENT DOCUMENTS

D471,552 S 3/2003 Loughnane et al.
D522,011 S * 5/2006 Hayes D14/401
D544,481 S 6/2007 Maddox et al.
D547,763 S * 7/2007 Hayes D14/401
D694,830 S * 12/2013 Crowley D14/401

D708,615 S * 7/2014 Delrue D14/401
D709,499 S * 7/2014 Morris D14/401
D709,882 S * 7/2014 Morris D14/401
D733,802 S 7/2015 Burgess et al.
D765,788 S * 9/2016 Kujawski D14/401
D767,684 S * 9/2016 Kujawski D14/401
D772,987 S * 11/2016 Kujawski D14/401
D772,988 S * 11/2016 Kujawski D14/401
D774,596 S * 12/2016 Kujawski D21/333
D777,843 S * 1/2017 Kujawski D14/401
D784,989 S * 4/2017 Kujawski D14/401

(Continued)

OTHER PUBLICATIONS

“Xbox Elite 2 Controller Review: Microsoft’s Best Xbox Controller Just Got Better,” The Verge online, post date Oct. 31, 2019, URL: <https://www.theverge.com/2019/10/31/20926499/microsoft-xbox-elite-wireless-controller-series-2-review-price-specs-features>, retrieved Feb. 26, 2020.*

Primary Examiner — Angela J Lee
Assistant Examiner — Rebekah A Caruso

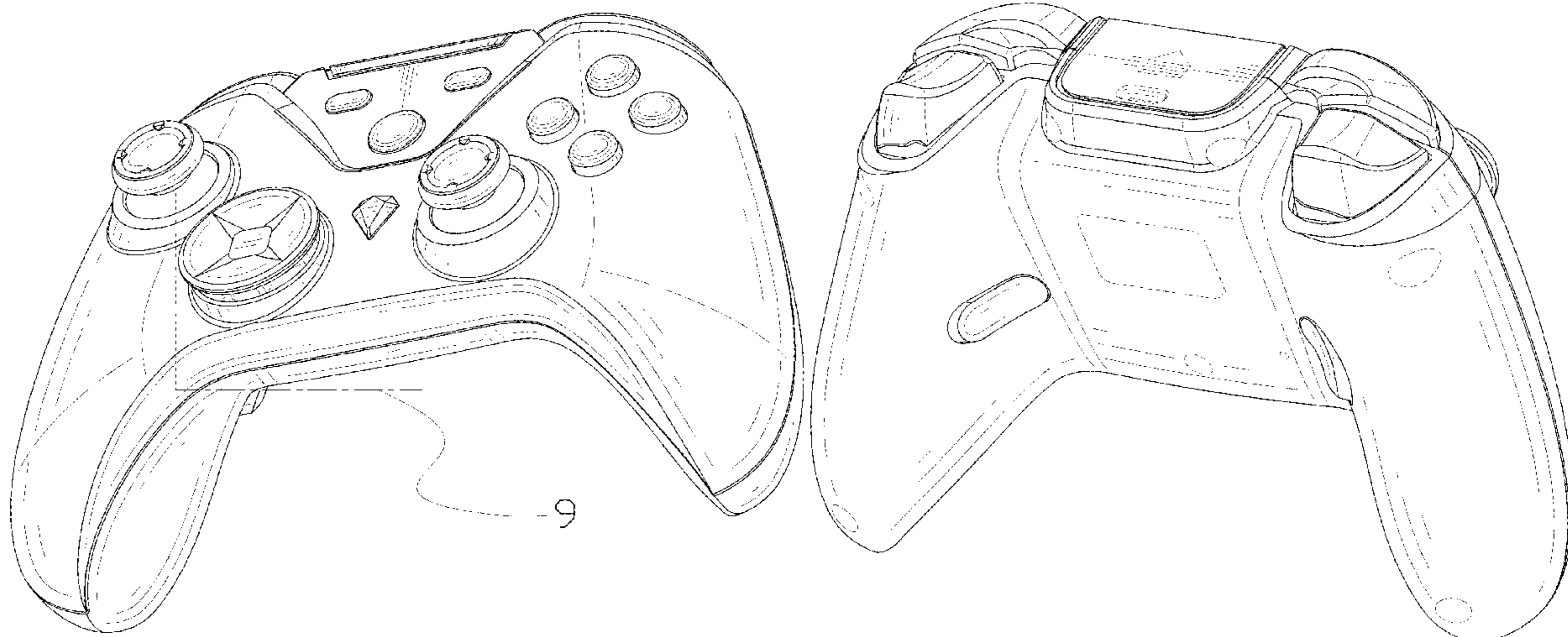
(57) **CLAIM**

The ornamental design for a controller, as shown and described.

DESCRIPTION

FIG. 1 is a perspective view of a controller showing my new design;
FIG. 2 is another perspective view thereof;
FIG. 3 is a front elevational view thereof;
FIG. 4 is a rear elevational view thereof;
FIG. 5 is a left side elevational view thereof;
FIG. 6 is a right side elevational view thereof;
FIG. 7 is a top plan view thereof;
FIG. 8 is a bottom plan view thereof; and,
FIG. 9 is an enlarged view of portion 9 shown in FIG. 1.
The broken lines in the drawings depict portions of the controller that form no part of the claimed design.

1 Claim, 9 Drawing Sheets



(56)

References Cited

U.S. PATENT DOCUMENTS

D794,129 S * 8/2017 Kujawski D14/401
D794,717 S * 8/2017 Kujawski D14/401
D799,599 S * 10/2017 Kujawski D21/333
D808,968 S 1/2018 Tang
D823,945 S * 7/2018 Falc D21/333
D853,384 S * 7/2019 Fulghum D14/401
D856,334 S * 8/2019 Salter D14/401
D865,766 S * 11/2019 Hu D14/401
2018/0207523 A1* 7/2018 Lyden A63F 13/214
2018/0214780 A1* 8/2018 Tran G09B 21/02
2018/0250587 A1* 9/2018 Strahle A63F 13/24
2018/0333641 A1* 11/2018 Strahle A63F 13/24
2018/0353850 A1* 12/2018 Strahle A63F 13/24
2020/0054942 A1* 2/2020 Strahle A63F 13/22

* cited by examiner

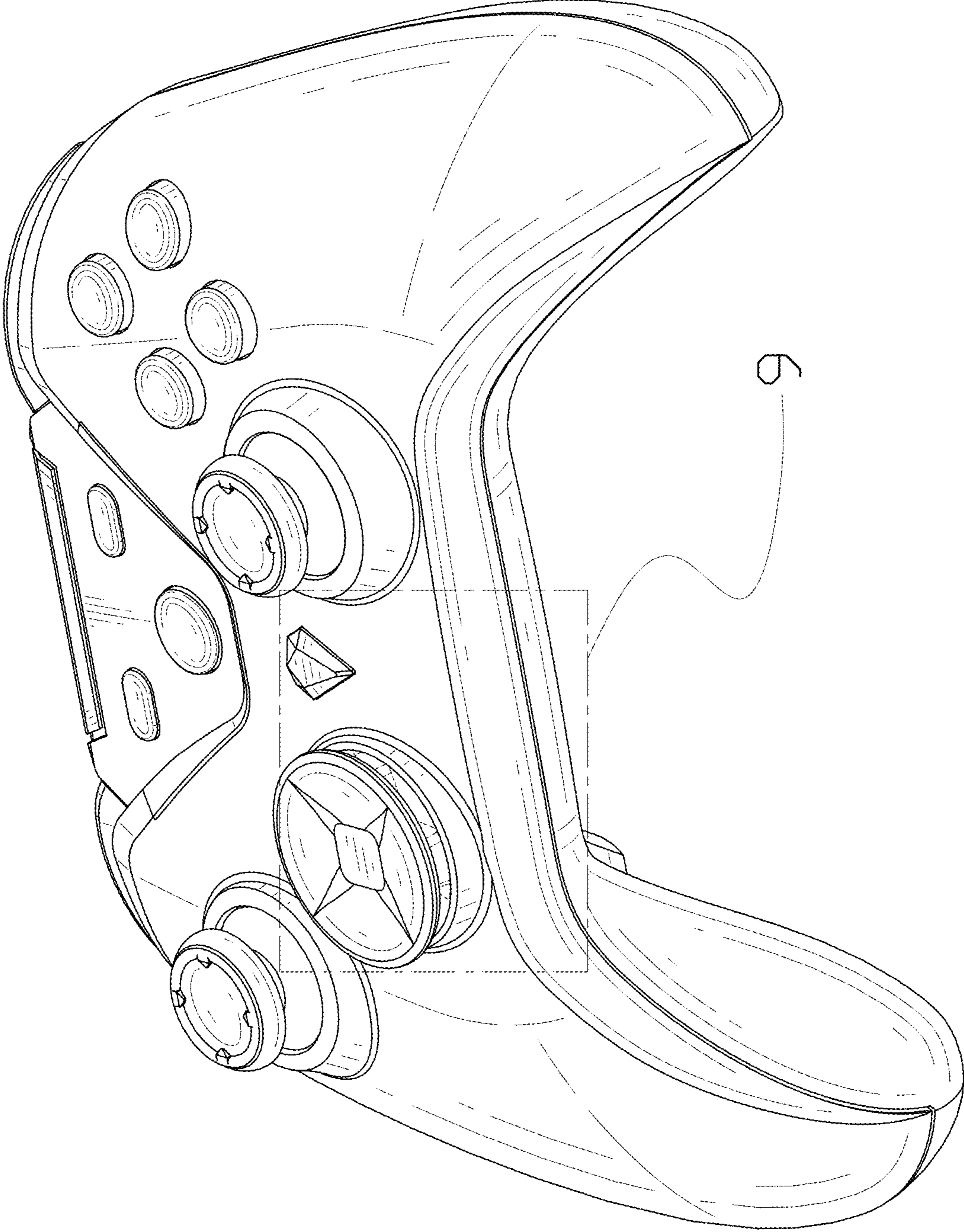


FIG. 1

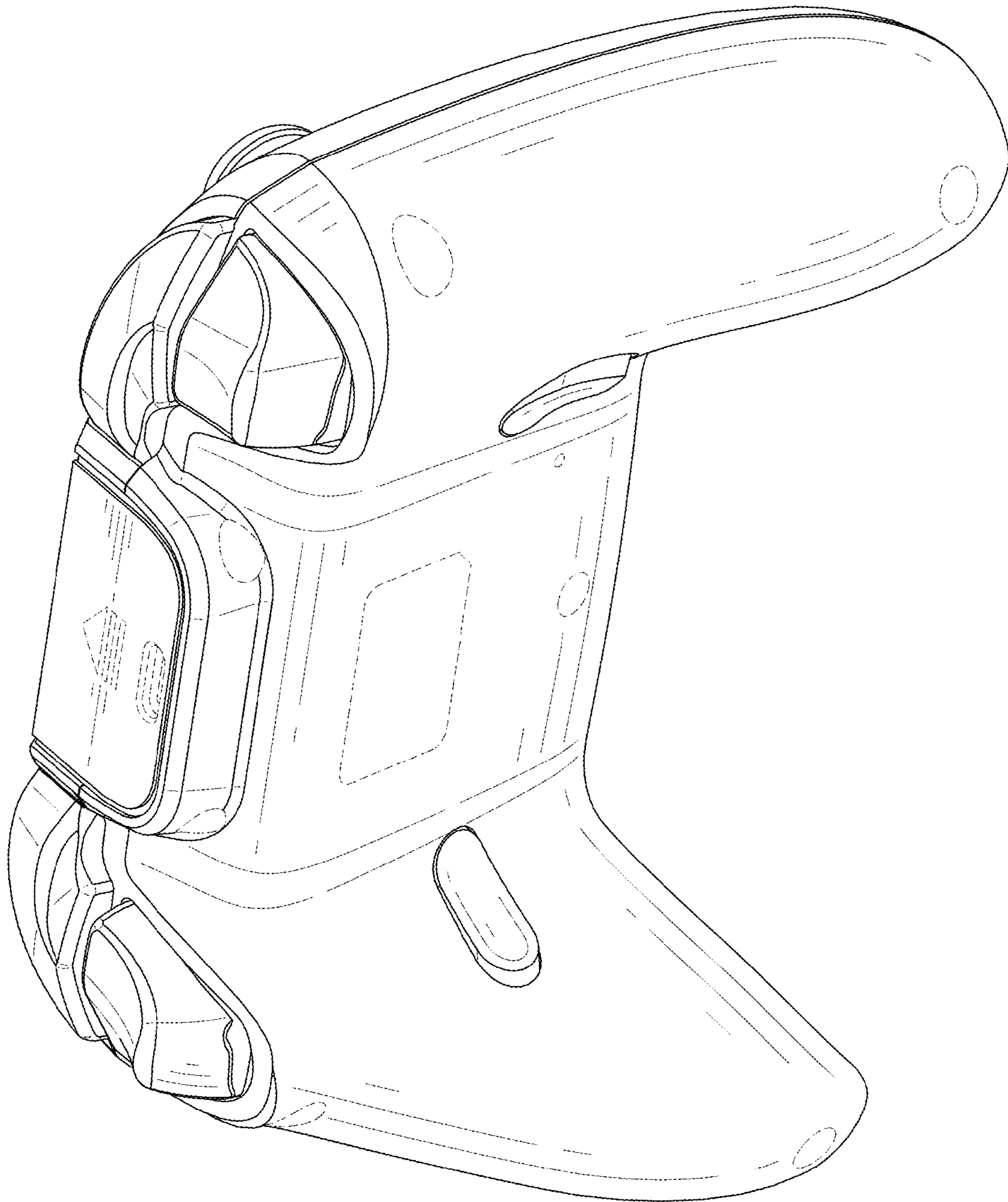


FIG. 2

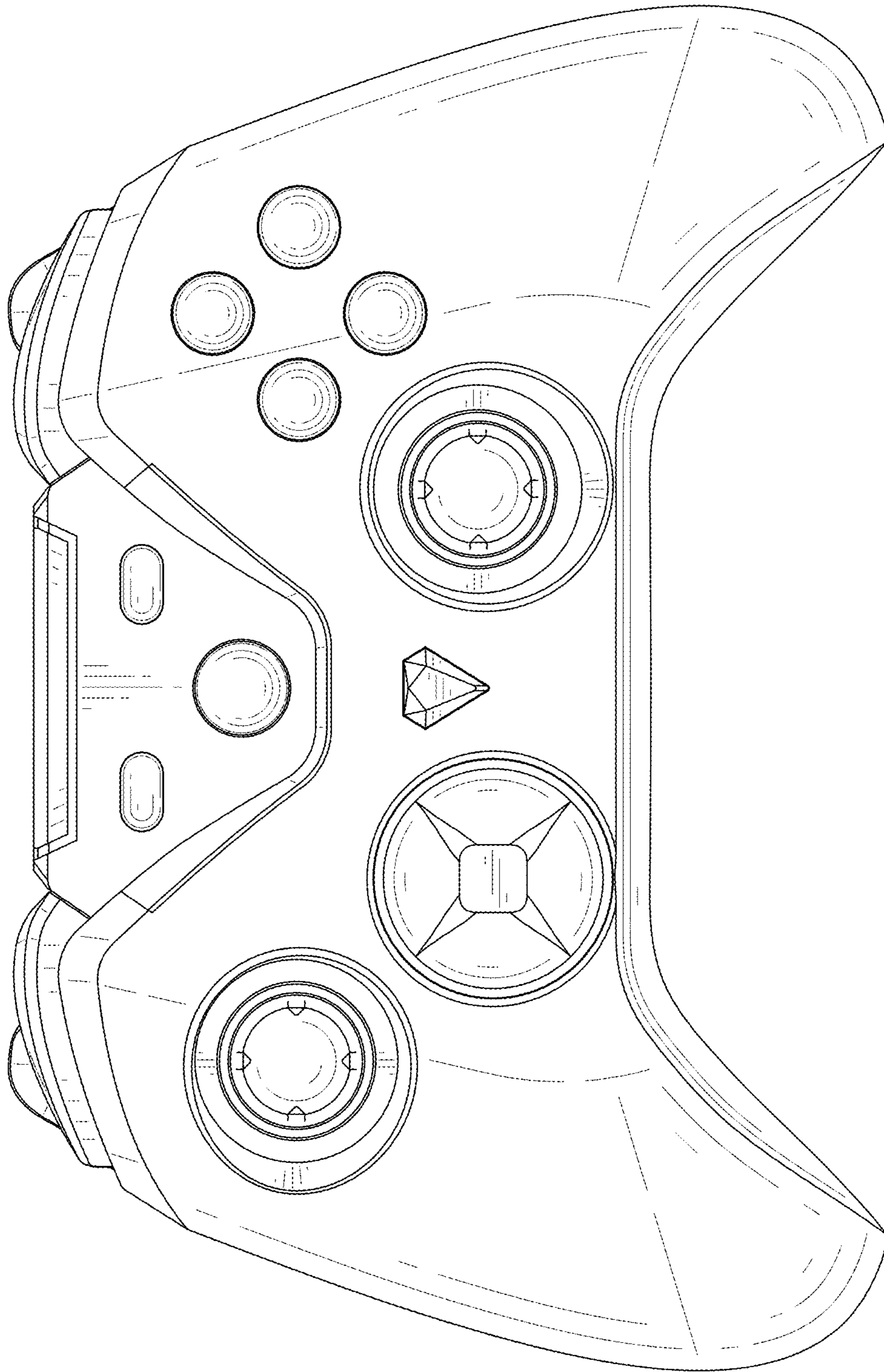


FIG. 3

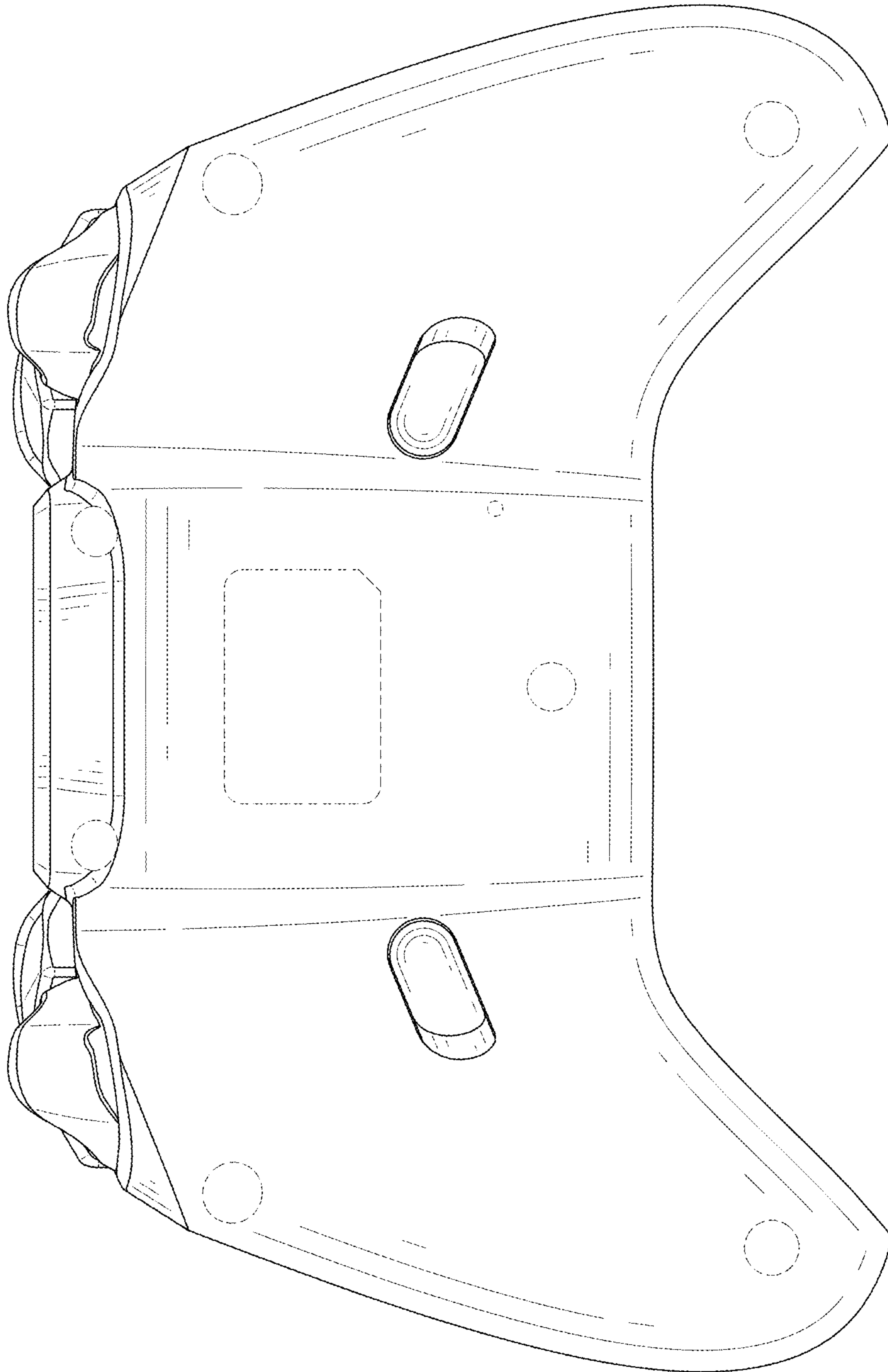


FIG. 4

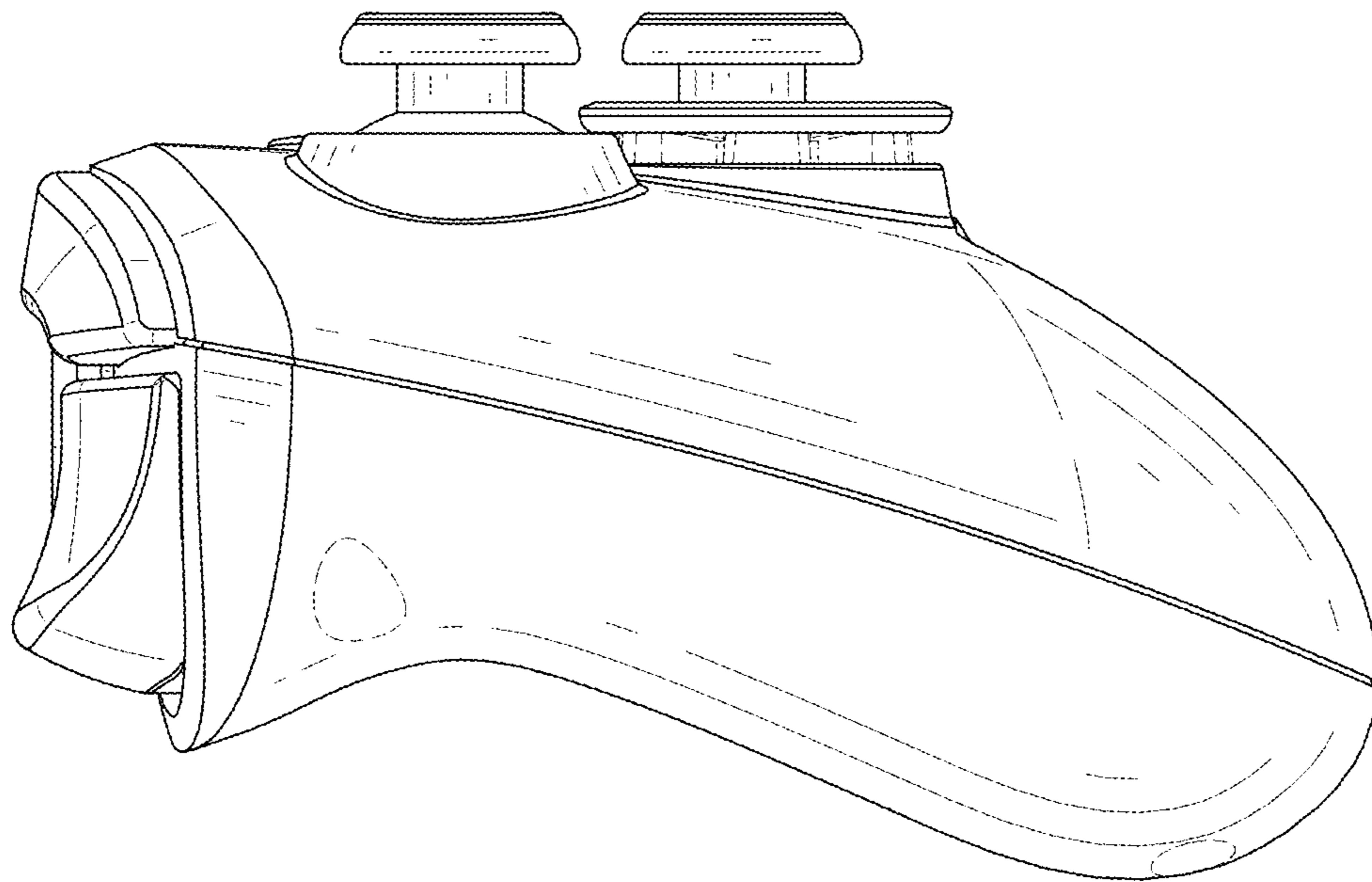


FIG. 5

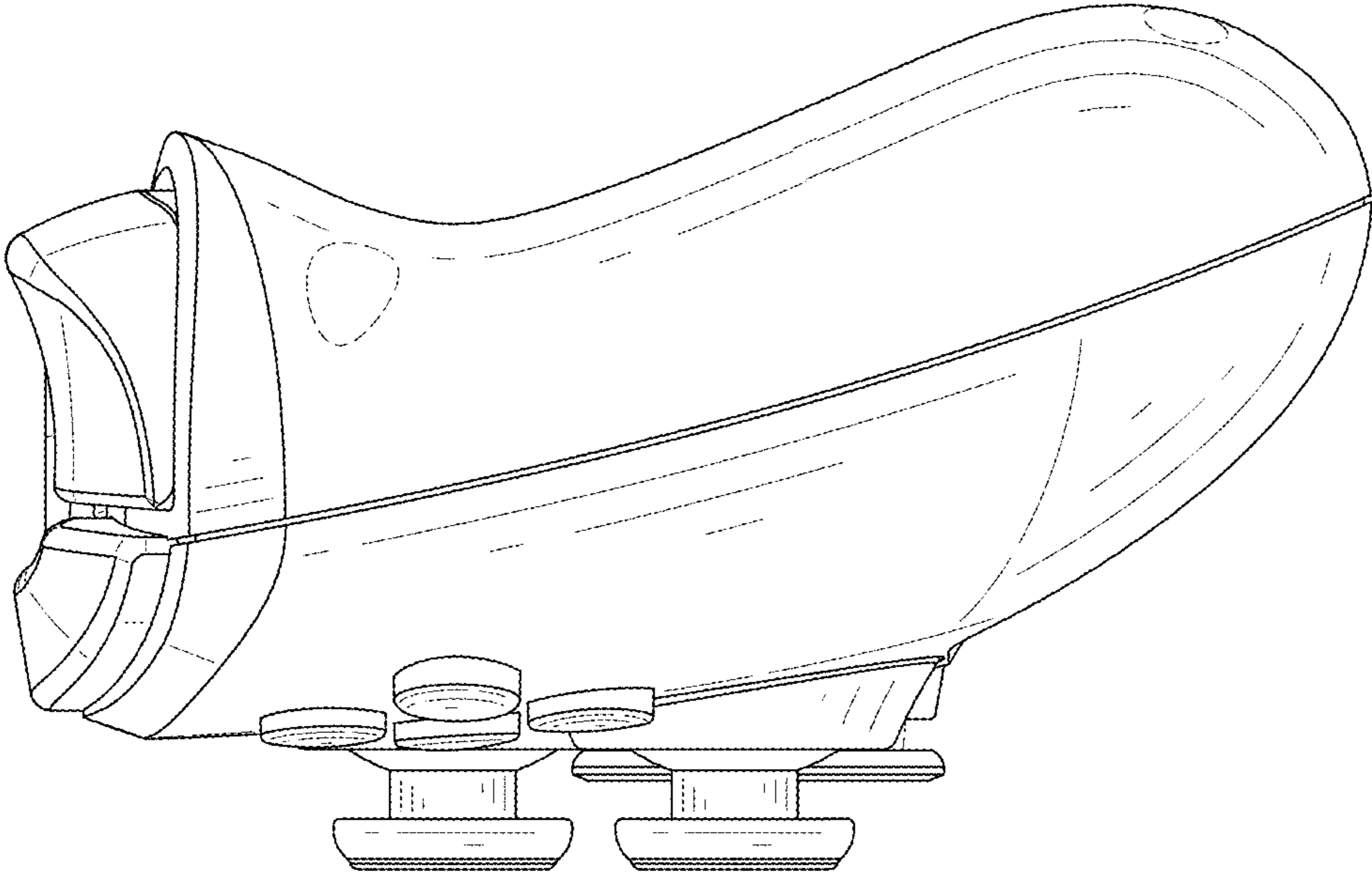


FIG. 6

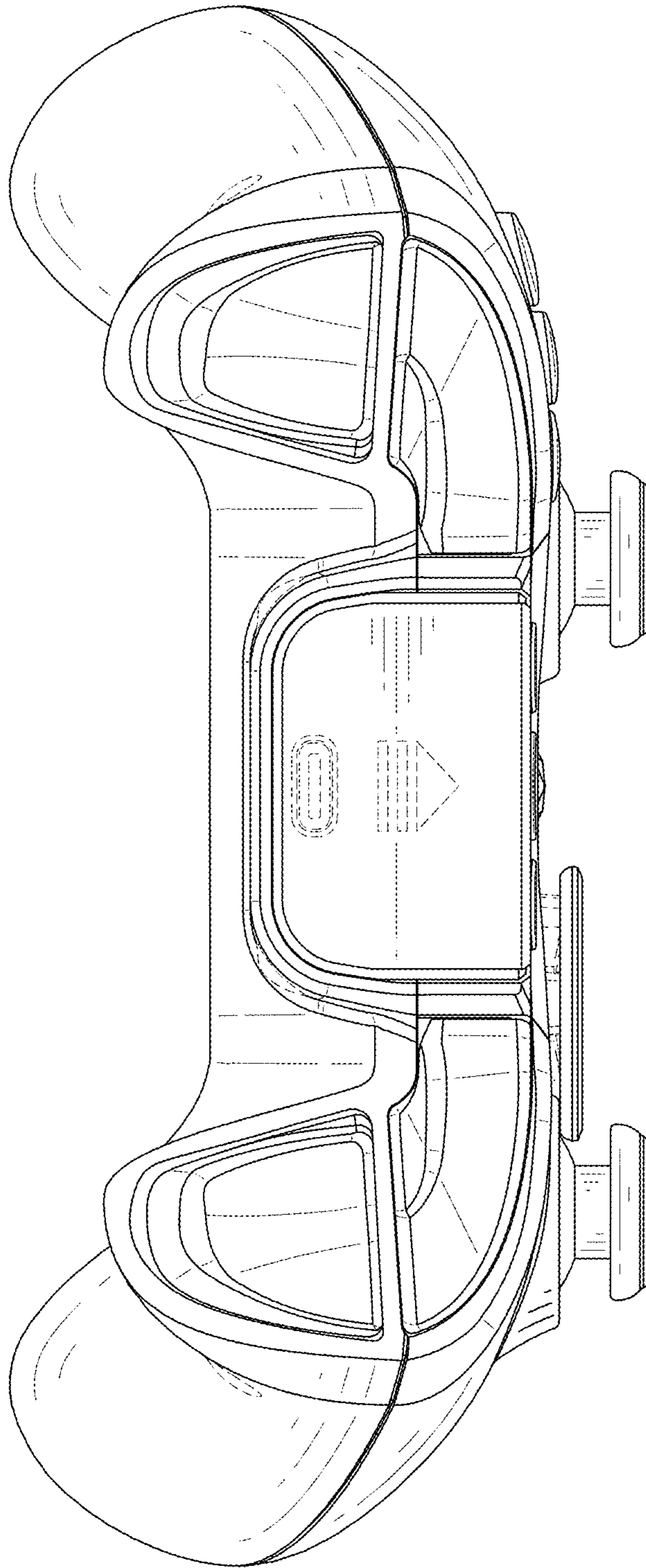


FIG. 7

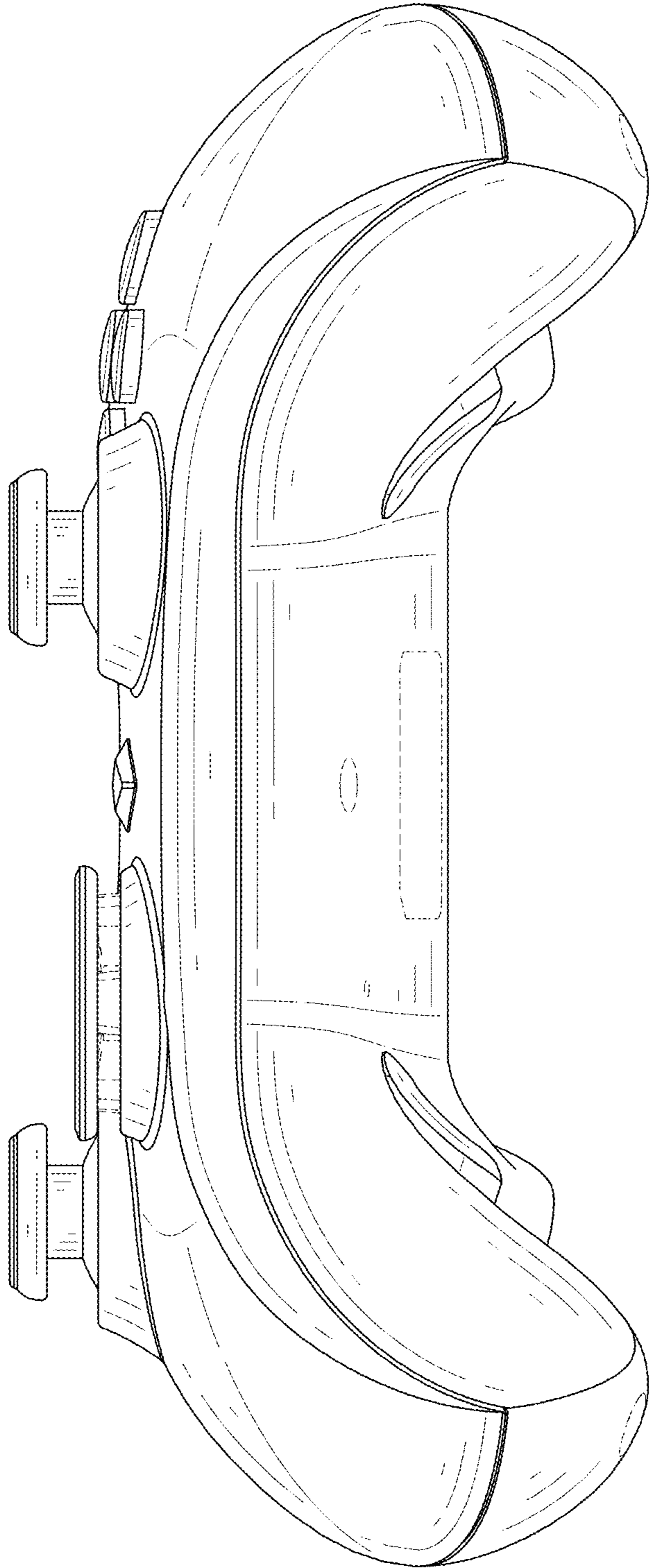


FIG. 8

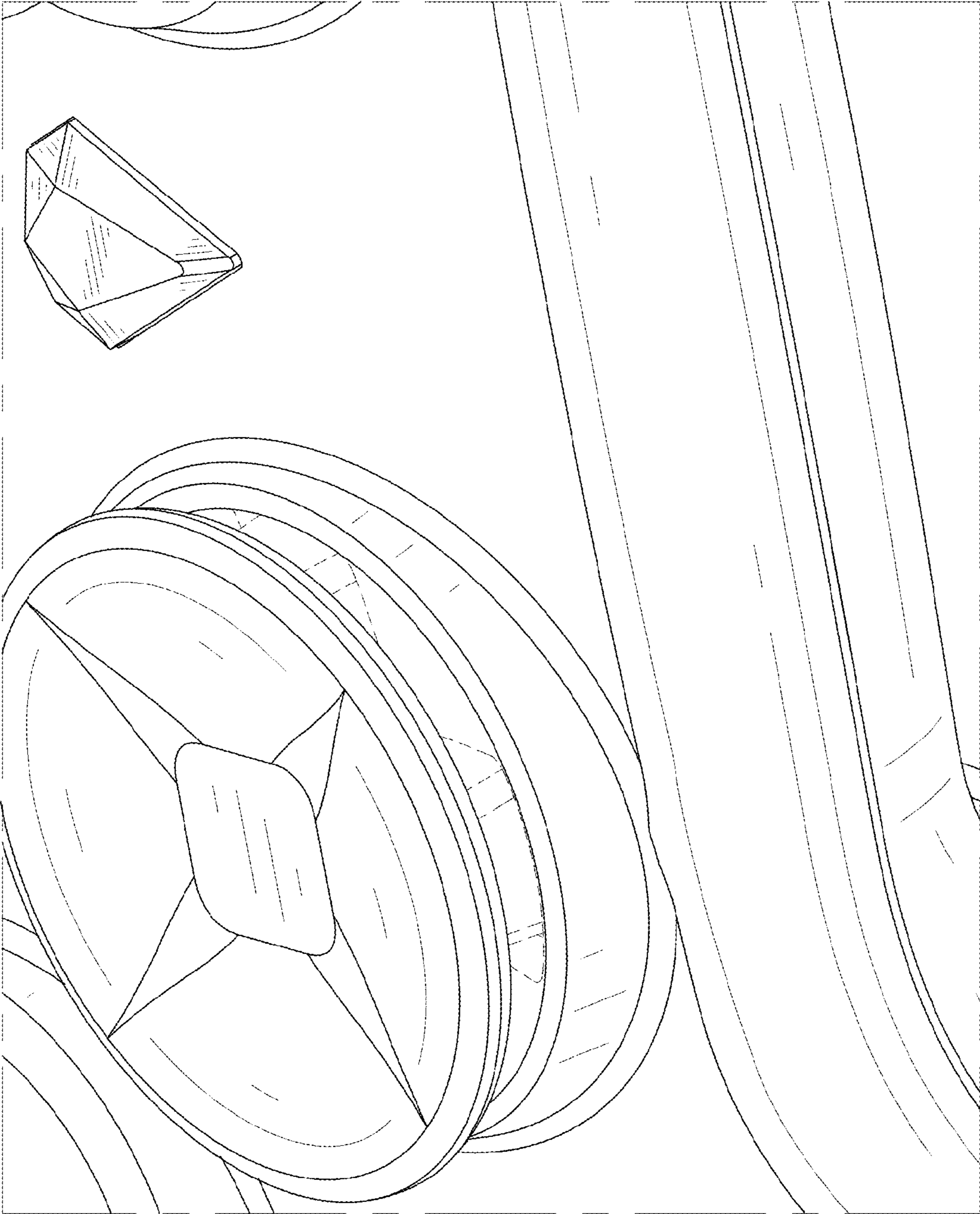


FIG. 9