



US00D885386S

(12) **United States Design Patent**
Wei et al.

(10) **Patent No.:** **US D885,386 S**

(45) **Date of Patent:** **** May 26, 2020**

(54) **REMOTE CONTROLLER**

(71) Applicant: **HTC Corporation**, Taoyuan (TW)

(72) Inventors: **Chang-Hua Wei**, Taoyuan (TW);
Shih-Hsiu Lee, Taoyuan (TW)

(73) Assignee: **HTC CORPORATION**, Taoyuan (TW)

(**) Term: **15 Years**

(21) Appl. No.: **29/660,941**

(22) Filed: **Aug. 23, 2018**

(51) **LOC (12) Cl.** **14-02**

(52) **U.S. Cl.**
USPC **D14/388**; D21/333; D14/400

(58) **Field of Classification Search**
USPC D14/388, 218, 454, 299, 496, 400, 401,
D14/402, 405, 409, 410, 412, 203.5;
D21/333; D13/168
CPC A63F 13/24; A63F 13/213; A63F 13/214;
A63F 13/00; A63F 13/212; A63F 13/20;
G06F 3/014; G06F 3/017; G06F 3/02;
G06F 3/03547; G06F 3/03549; G06F
3/041; G06F 3/0416; G06F 3/044; G05G
9/047

See application file for complete search history.

(56) **References Cited**

U.S. PATENT DOCUMENTS

5,229,590	A	*	7/1993	Harden	G06K 7/10881 235/462.45
D385,537	S	*	10/1997	Walker	D14/388
D405,071	S	*	2/1999	Gambaro	D14/347
D466,510	S	*	12/2002	Yang	D14/402
D473,526	S	*	4/2003	Israel	D13/168
D579,015	S	*	10/2008	Ashida	D14/412
D579,936	S	*	11/2008	Hu	D14/405
D584,312	S	*	1/2009	Bishop	D14/412
D636,772	S	*	4/2011	Cheng	D14/400
D638,841	S	*	5/2011	Musick, Jr.	D14/412

D716,767	S	*	11/2014	Lee	D14/218
D723,008	S	*	2/2015	Kim	D14/218
D734,743	S	*	7/2015	Geck	D14/218
D753,235	S	*	4/2016	Choi	D14/401
D753,236	S	*	4/2016	Choi	D21/333
D772,986	S	*	11/2016	Chen	D14/203.3
D776,091	S	*	1/2017	Spio	D14/218

(Continued)

OTHER PUBLICATIONS

VR Controllers. (Design—© Questel) orbit.com. [online PDF] 34 pgs. Print Dates Range Dec. 12, 2017 through Jul. 9, 2019. [Retrieved on Sep. 5, 2019] <https://sobjprd.questel.fr/export/QPTUJ214/pdf2/dd8d669b-6124-4329-b77e-669736ab184e-002105.pdf>.*

(Continued)

Primary Examiner — Marie D. Fast Horse

(74) *Attorney, Agent, or Firm* — Birch, Stewart, Kolasch & Birch, LLP

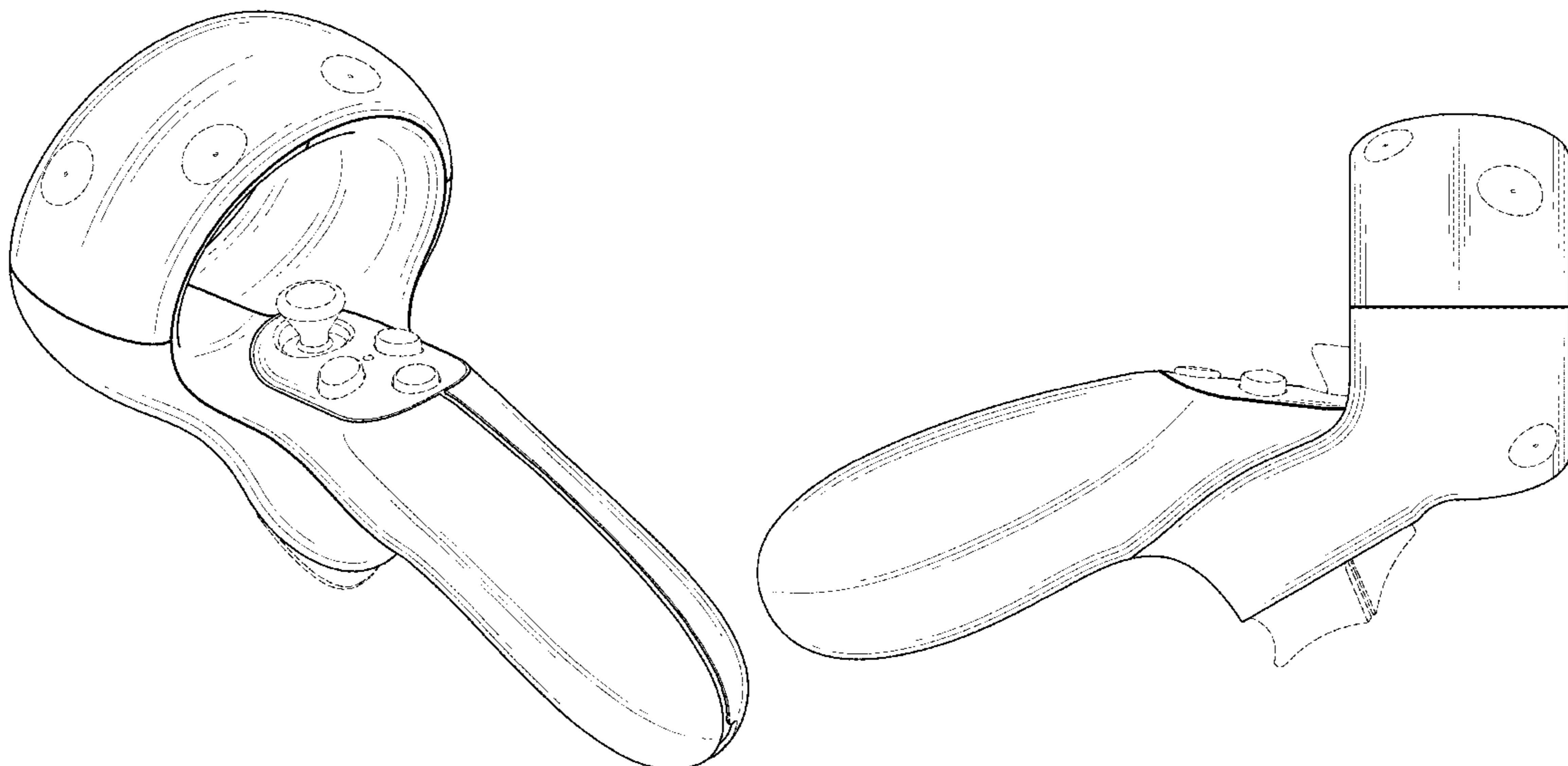
(57) **CLAIM**

The ornamental design for a remote controller, as shown and described.

DESCRIPTION

FIG. 1 is a front perspective view of a remote controller in accordance with our new design;
FIG. 2 is a front view thereof;
FIG. 3 is a rear view thereof;
FIG. 4 is a right side view thereof;
FIG. 5 is a left side view thereof;
FIG. 6 is a top side view thereof;
FIG. 7 is a bottom side view thereof; and,
FIG. 8 is a rear perspective view thereof.
The broken lines immediately adjacent the claimed areas represent the bounds of the claimed design while all other broken lines are directed to environment and are for illustrative purposes only forming no part of the claimed design.

1 Claim, 7 Drawing Sheets



(56)

References Cited

U.S. PATENT DOCUMENTS

D776,640 S * 1/2017 Simonian D14/218
 D779,487 S * 2/2017 Rothfuß D13/168
 D780,807 S * 3/2017 Chen D14/203.3
 D784,990 S * 4/2017 Huang D14/400
 D795,959 S * 8/2017 Chen D14/203.3
 D800,841 S * 10/2017 Chen D21/333
 D802,055 S * 11/2017 Chen D21/333
 D804,579 S * 12/2017 Britt D21/333
 D804,580 S * 12/2017 Britt D21/333
 D806,173 S * 12/2017 Britt D21/333
 D810,083 S * 2/2018 Kirkland D14/412
 D812,144 S * 3/2018 Chandrasiri D21/333
 D812,693 S * 3/2018 Chen D21/333
 D815,209 S * 4/2018 Chen D21/333
 D815,210 S * 4/2018 Chen D21/333
 D815,697 S * 4/2018 Chen D21/333
 D817,300 S * 5/2018 Bristol D14/203.3
 D817,408 S * 5/2018 Peng D21/333
 D819,638 S * 6/2018 Lo D14/388

10,061,458 B1 * 8/2018 Bristol G06F 3/03547
 D840,360 S * 2/2019 Scott D13/168
 D844,608 S * 4/2019 Chen D14/388
 D844,609 S * 4/2019 Bristol D14/388
 2005/0197205 A1 * 9/2005 Hale, Jr. A63B 67/002
 473/340
 2016/0357249 A1 * 12/2016 Webb G06F 3/011
 2016/0363996 A1 * 12/2016 Higgins G06F 3/014
 2017/0177102 A1 * 6/2017 Long G06F 3/044
 2017/0189798 A1 * 7/2017 Rogoza A63F 13/24
 2018/0161670 A1 * 6/2018 Boev A63F 13/24

OTHER PUBLICATIONS

VR Controllers2. (Design—© Questel) orbit.com. [online PDF] 80 pgs. Print Dates Range Oct. 27, 2017 through May 10, 2019. [Retrieved on Nov. 8, 2019] <https://sobjprd.questel.fr/export/QPTUJ214/pdf2/fe3eb8ac-1445-4cca-a451-6f1465e63824-212654.pdf>.*

* cited by examiner

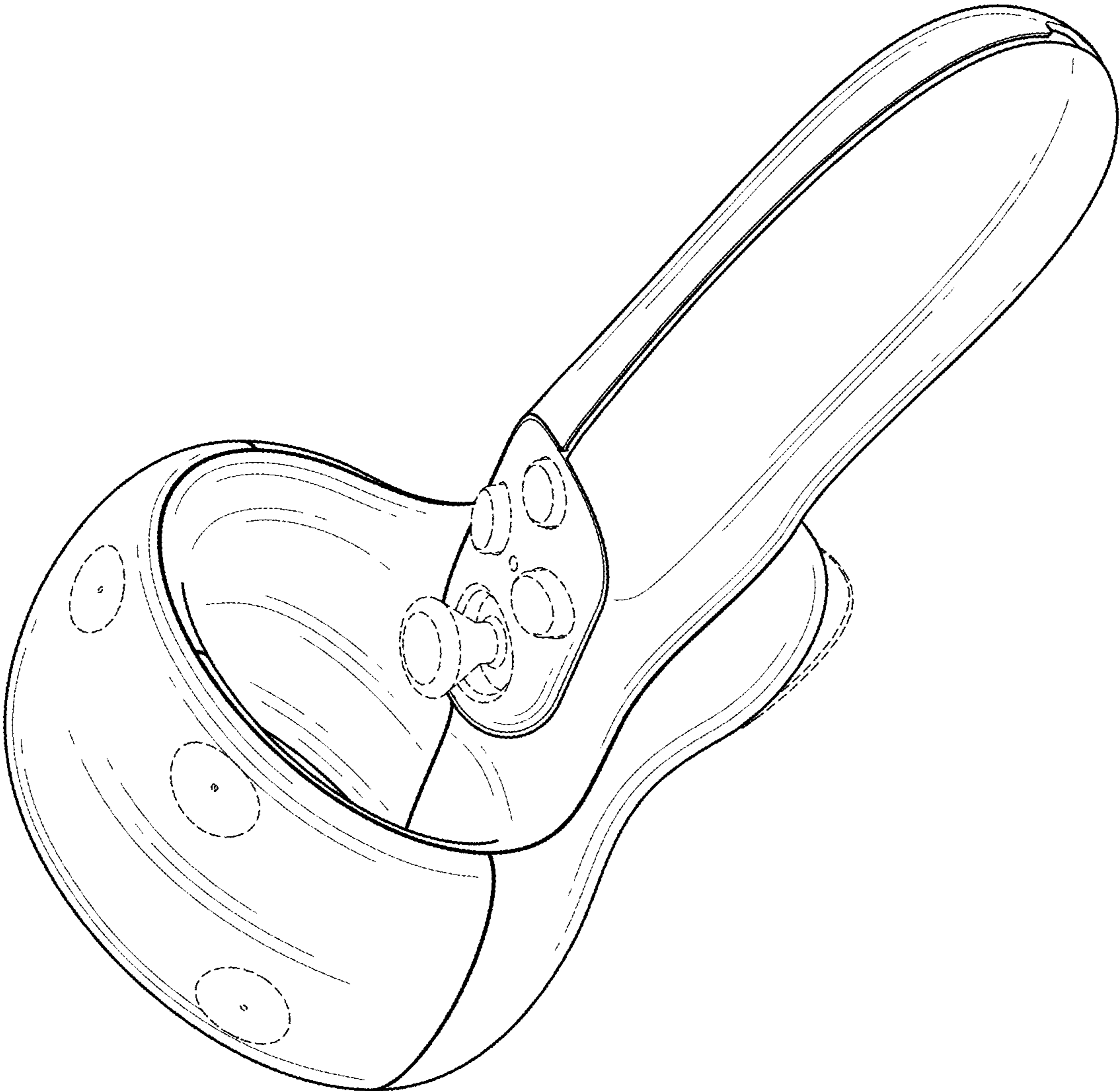


FIG. 1

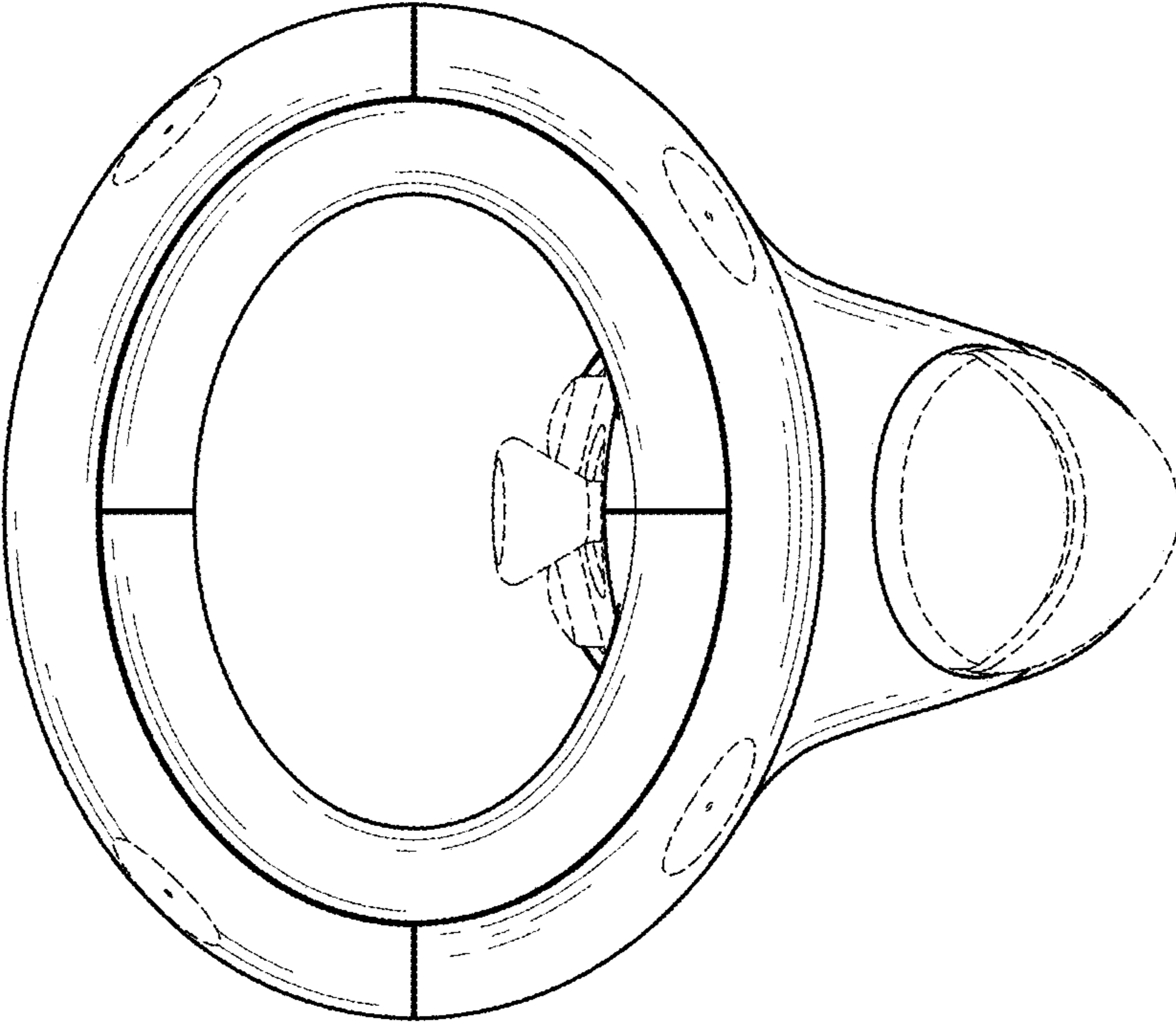


FIG. 2

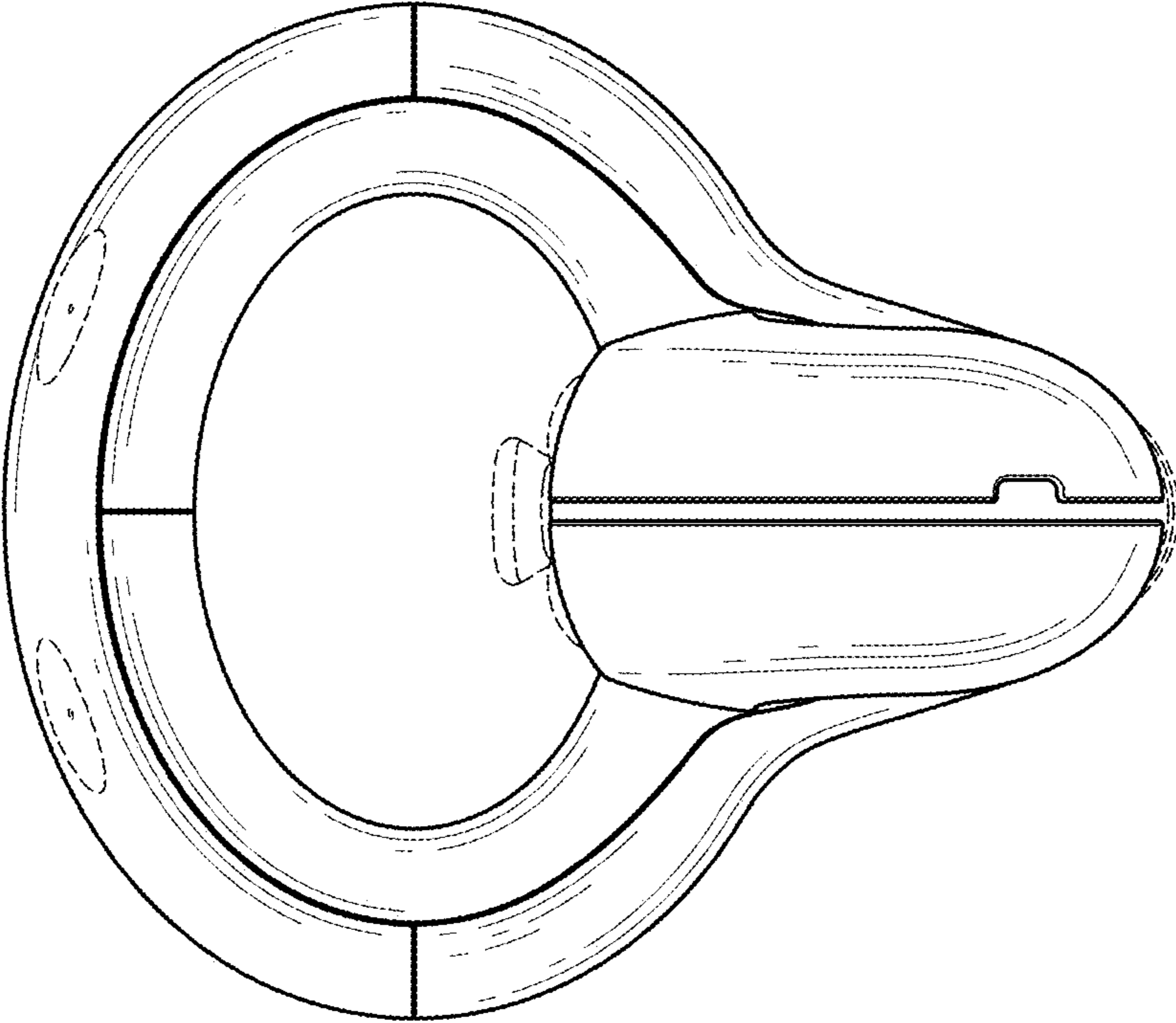


FIG. 3

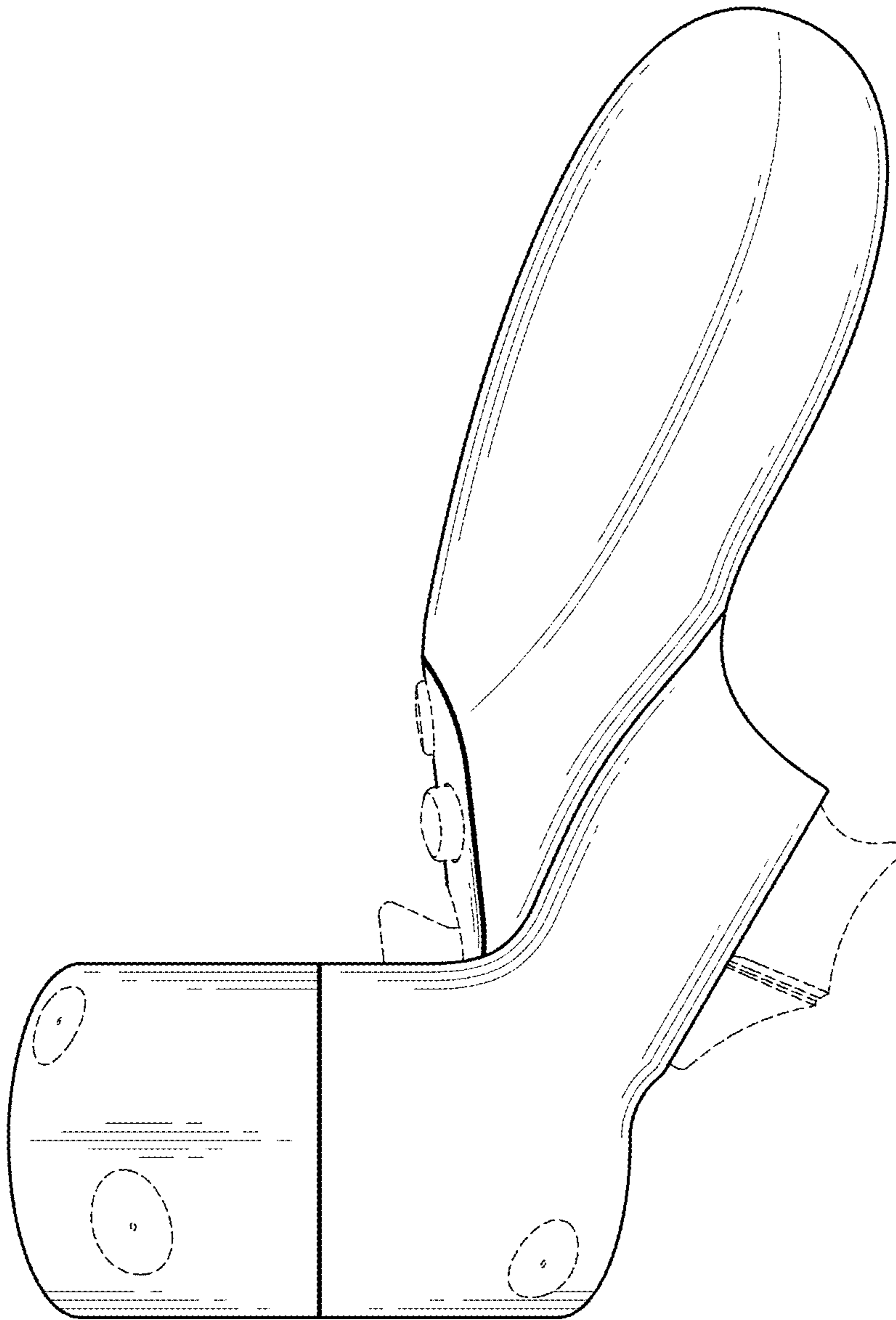


FIG. 4

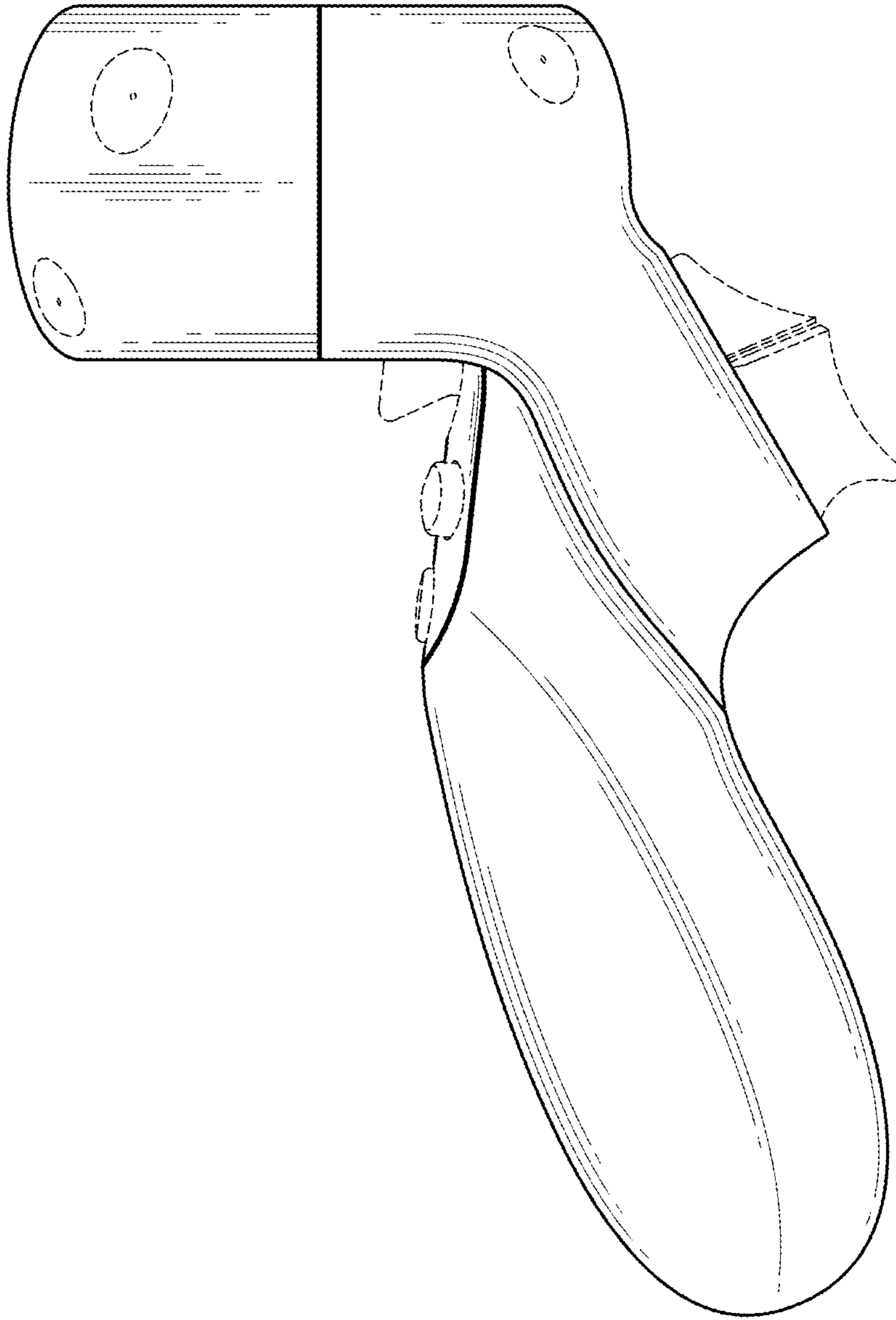


FIG. 5

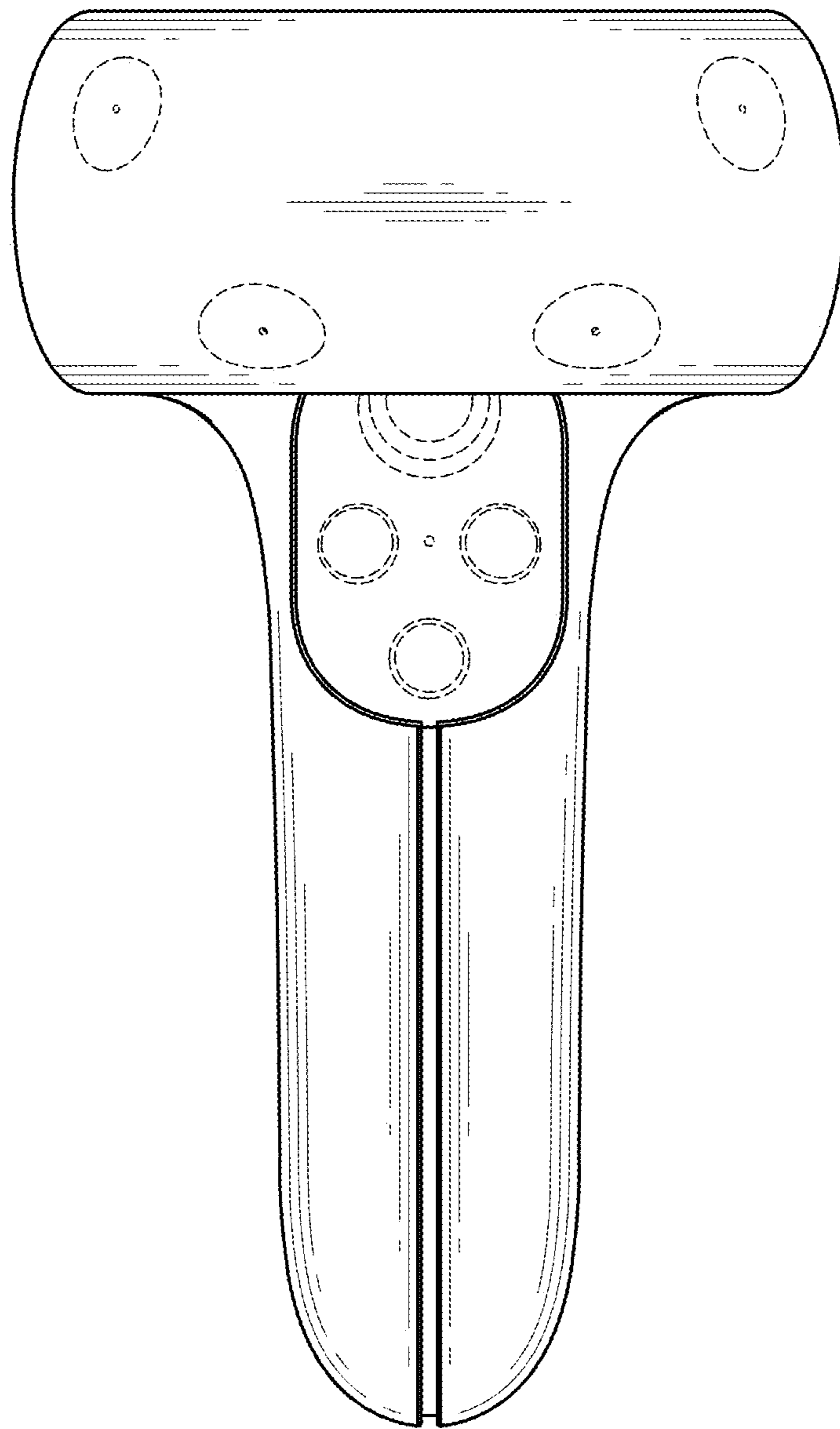


FIG. 6

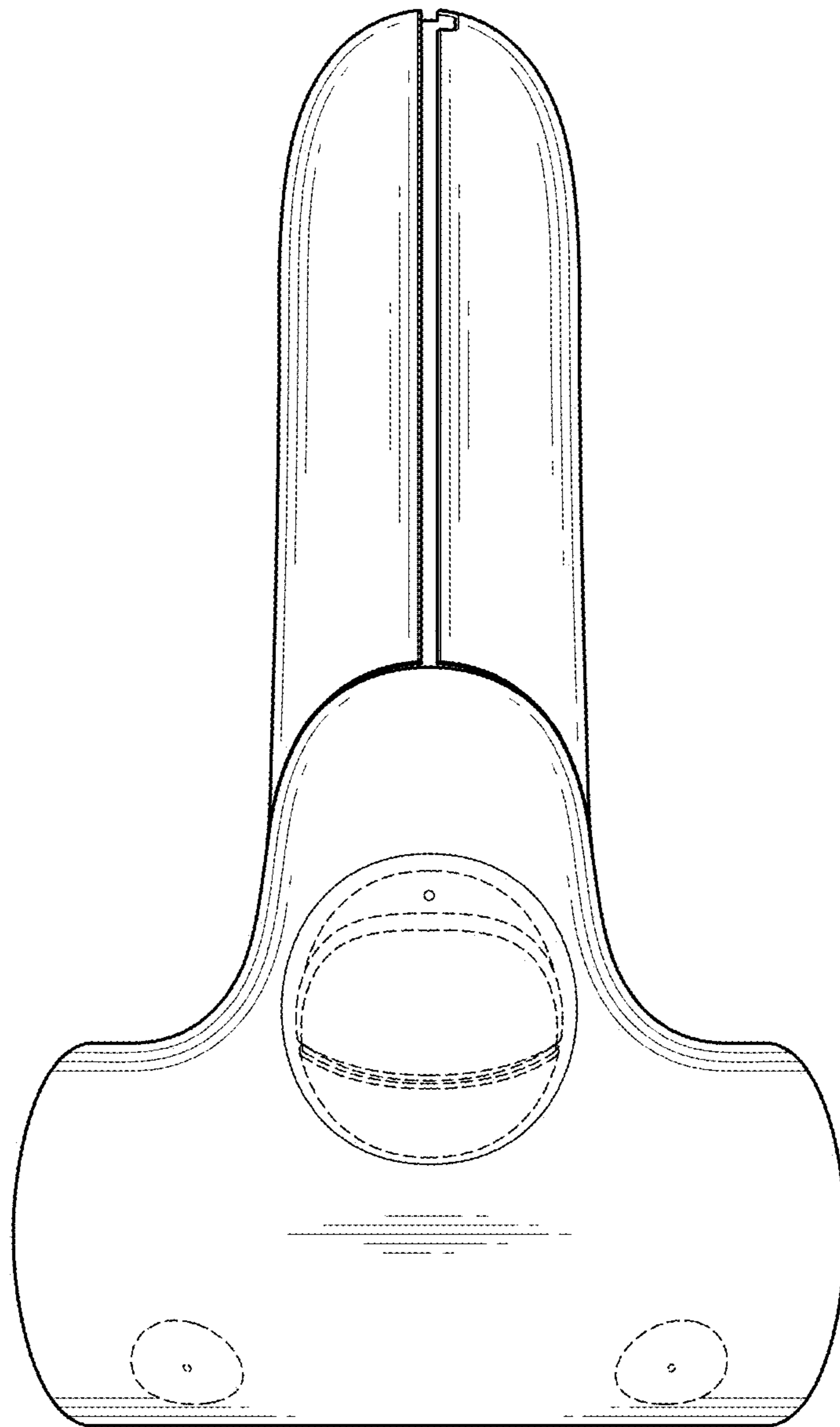


FIG. 7

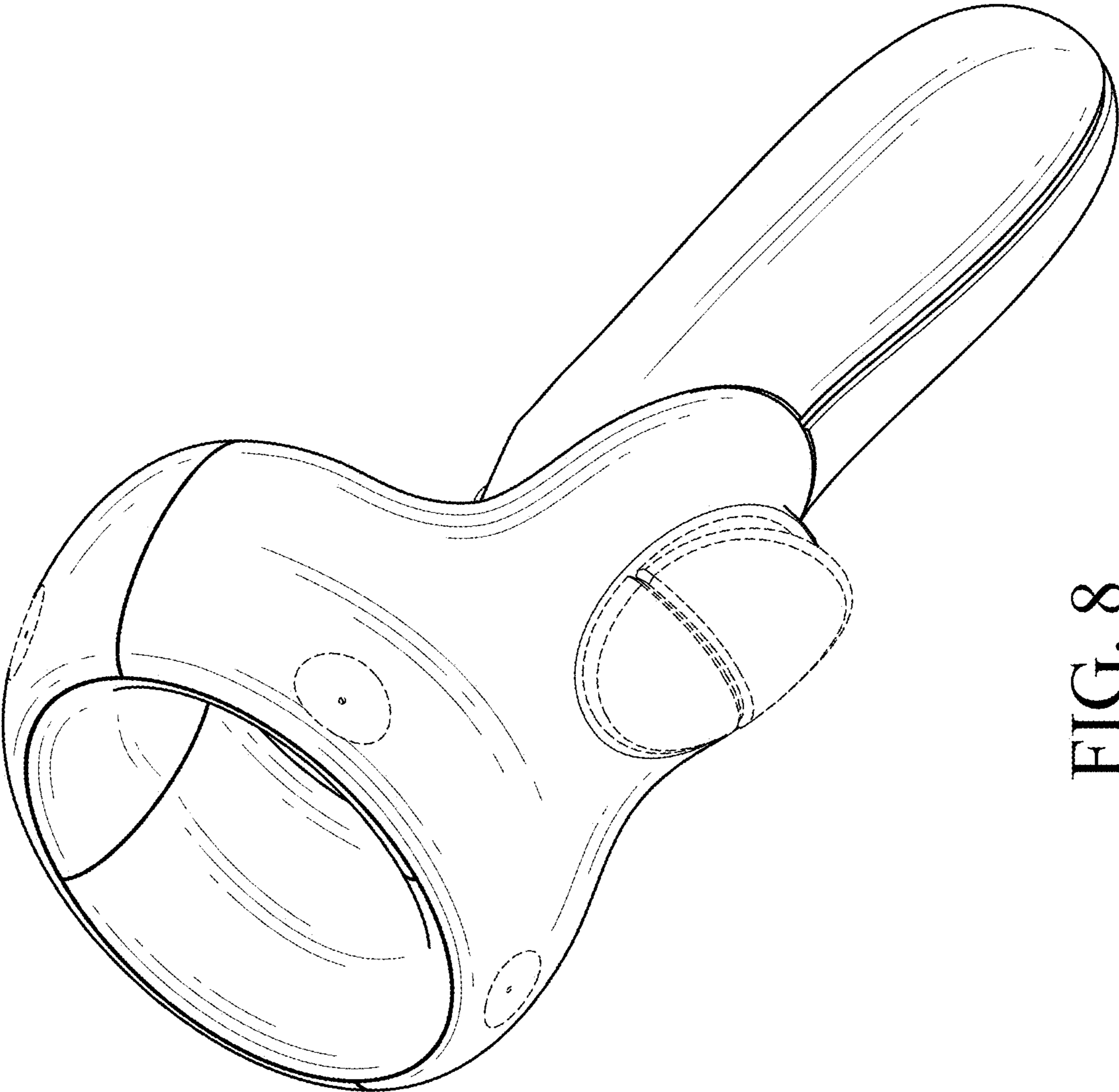


FIG. 8