



US00D885378S

(12) **United States Design Patent**
Kochubievsky

(10) **Patent No.:** **US D885,378 S**

(45) **Date of Patent:** **** May 26, 2020**

(54) **PARKING TERMINAL**

(71) Applicant: **Technoso Control Systems Ltd.,**
Mazliah (IL)

(72) Inventor: **Meir Kochubievsky,** Bene Ayish (IL)

(73) Assignee: **TECHNOSO CONTROL SYSTEMS**
LTD., Ramla (IL)

(**) Term: **15 Years**

(21) Appl. No.: **29/684,288**

(22) Filed: **Mar. 20, 2019**

(51) **LOC (12) Cl.** **14-02**

(52) **U.S. Cl.**

USPC **D14/307**

(58) **Field of Classification Search**

USPC D14/302-307, 900-902; D13/163;
D20/10; D21/332, 325, 369, 370;
D99/28; D6/397, 466; 194/206;
361/679.01, 679.02, 679.04, 679.21,
361/679.57, 725

CPC G06Q 20/18; G06Q 20/10; G06Q 20/123;
G06Q 20/20; G06Q 30/02; G06Q 30/06;
A47F 9/047

See application file for complete search history.

(56) **References Cited**

U.S. PATENT DOCUMENTS

D628,742 S * 12/2010 Hsu D14/307
D639,800 S * 6/2011 Magruder D14/307

D696,658 S * 12/2013 Winston D14/307
D705,213 S * 5/2014 Smith D14/307
D734,315 S * 7/2015 Masuda D14/307
D774,029 S * 12/2016 Kim D14/307
D782,467 S * 3/2017 Bladwell D14/307
D788,098 S * 5/2017 Thornton D14/307
D795,242 S * 8/2017 Birgeoglu D14/307
D816,078 S * 4/2018 Horn D14/307
D836,099 S * 12/2018 Vaananen D14/307
D848,414 S * 5/2019 Gardens D14/307

* cited by examiner

Primary Examiner — Austin Murphy

(74) *Attorney, Agent, or Firm* — The IP Law Firm of Guv
Levi, LLC

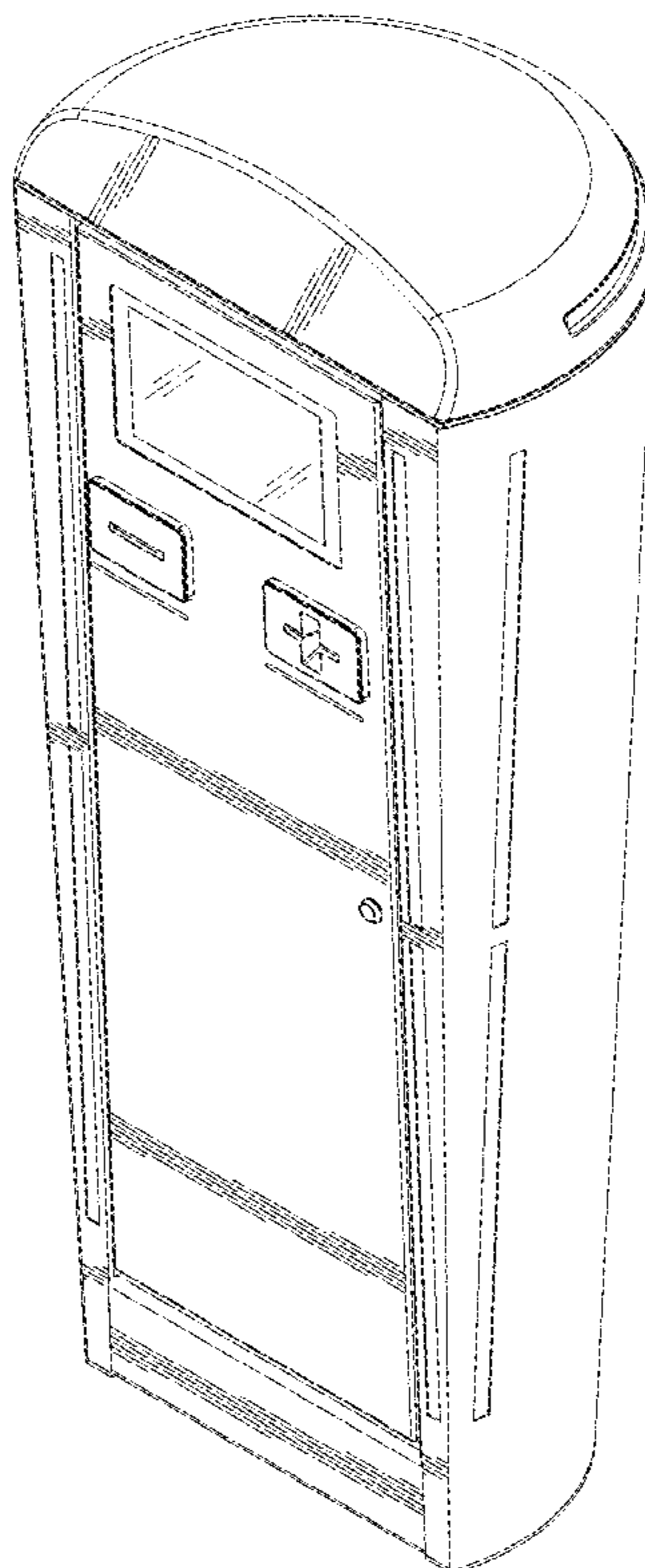
(57) **CLAIM**

I claim, the ornamental design for a parking terminal, as
shown and described herein.

DESCRIPTION

FIG. 1, is a front top right perspective view of the parking
terminal, showing my new design;
FIG. 2, is a front elevation view thereof;
FIG. 3, is a rear elevation view thereof;
FIG. 4, is a left side elevation view thereof, the right side
being a mirror image view thereof;
FIG. 5, is a top plan view thereof;
FIG. 6, is a bottom plan view thereof; and,
FIG. 7, is a cutaway enlargement of the card insert slot
illustrated in FIG. 1.

1 Claim, 6 Drawing Sheets



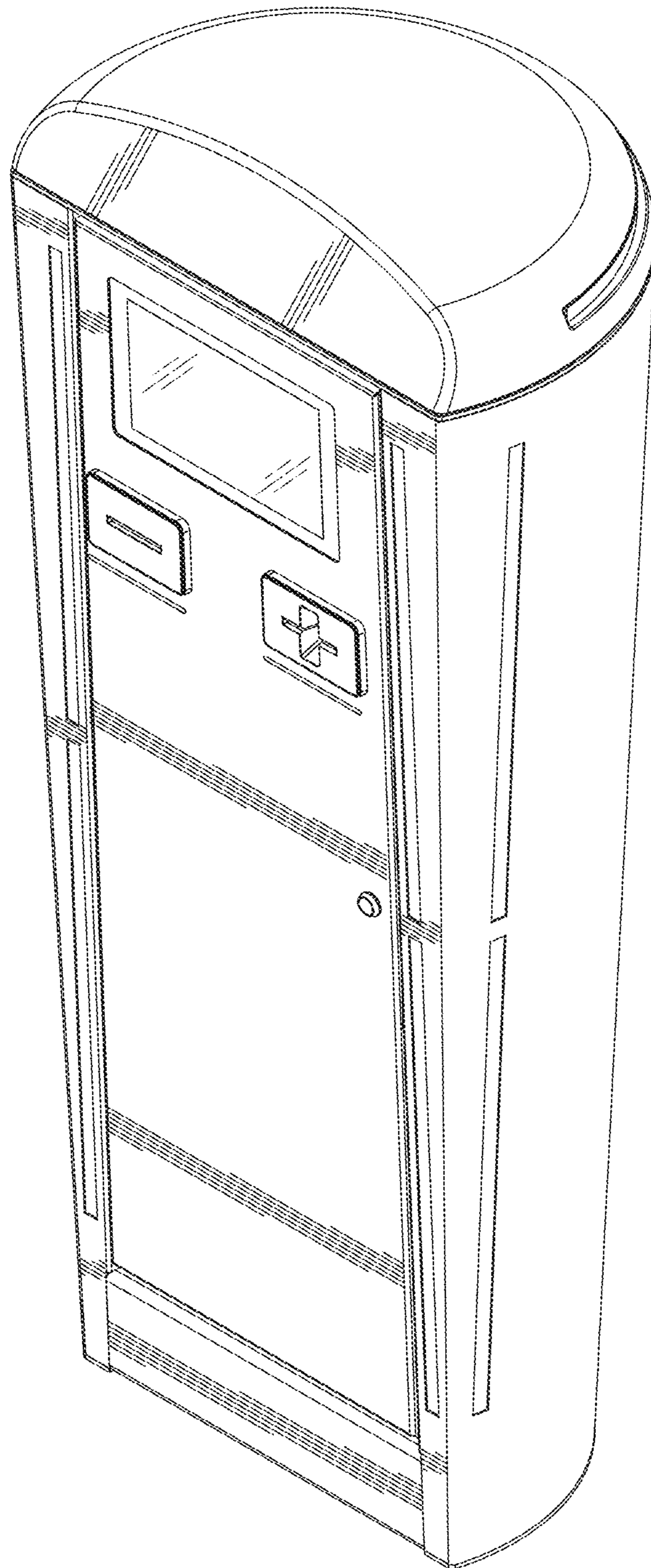


FIG. 1

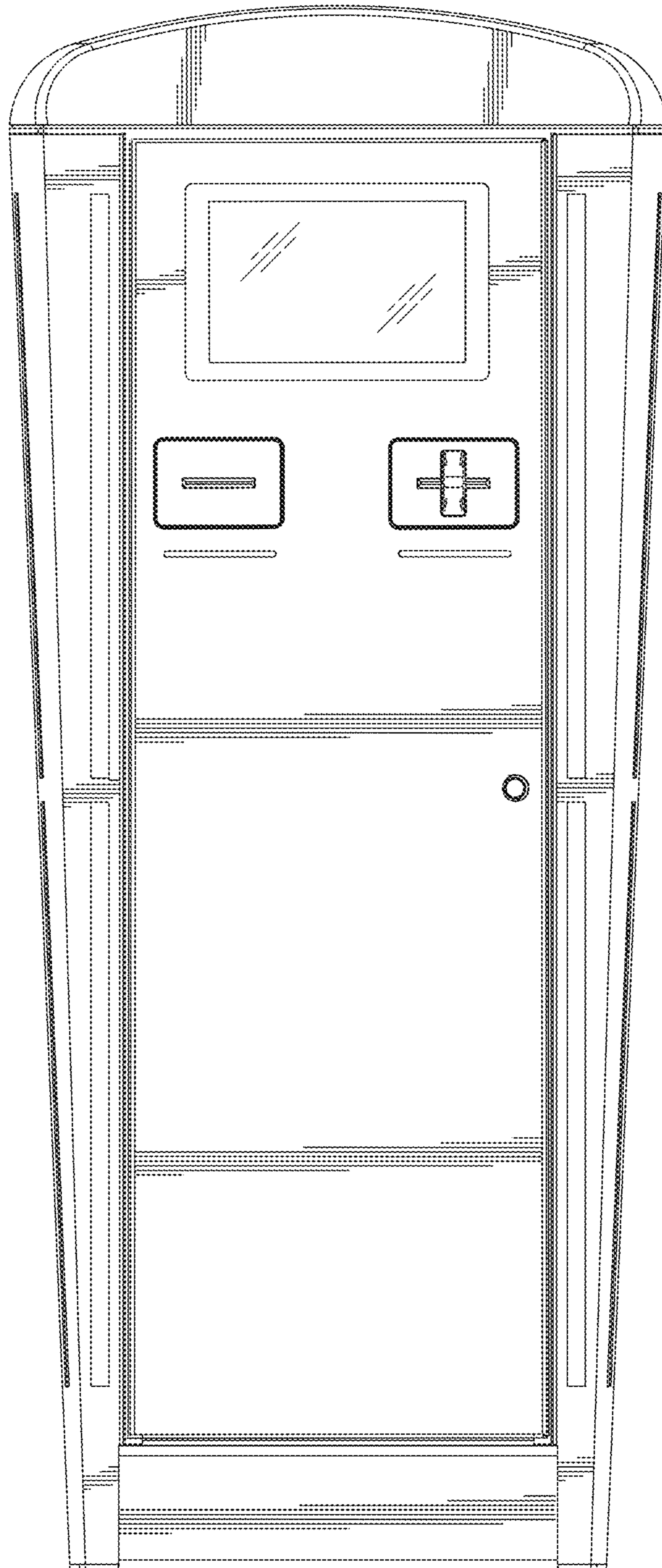


FIG. 2

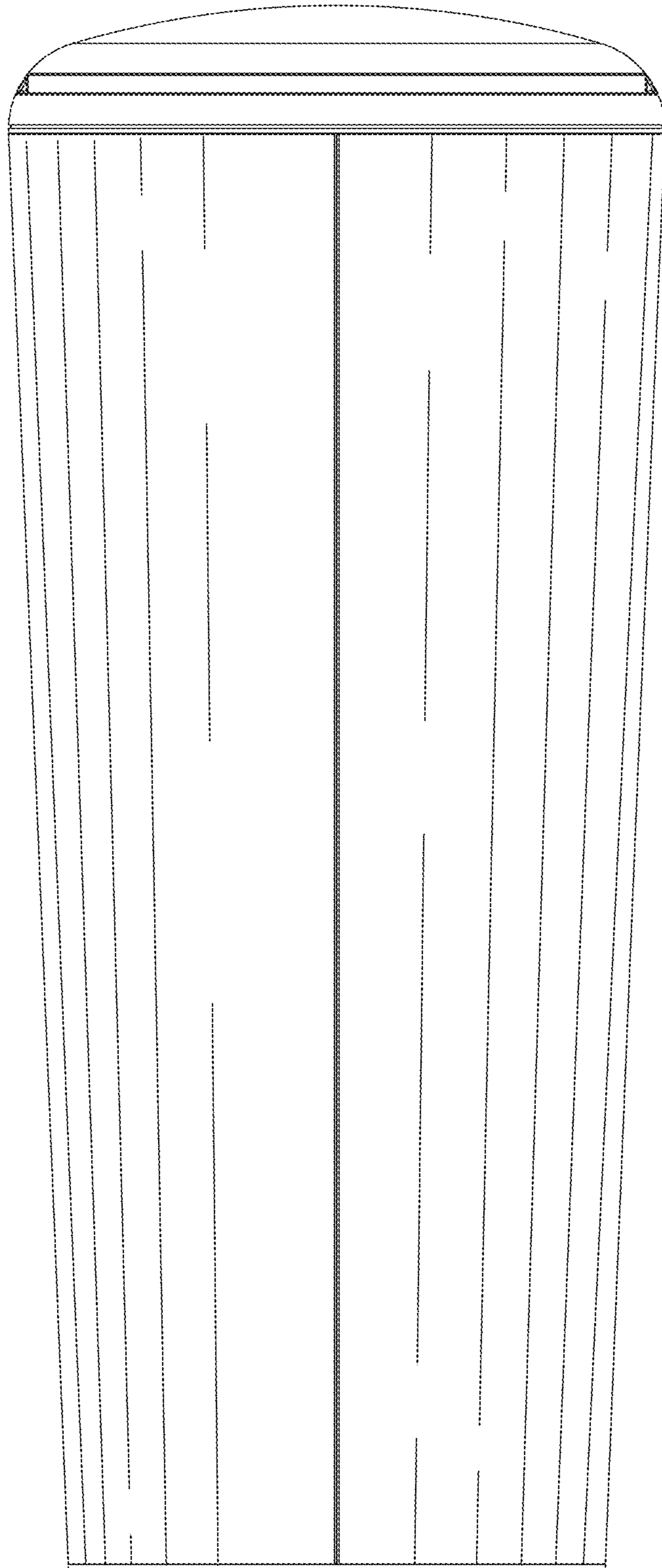


FIG. 3

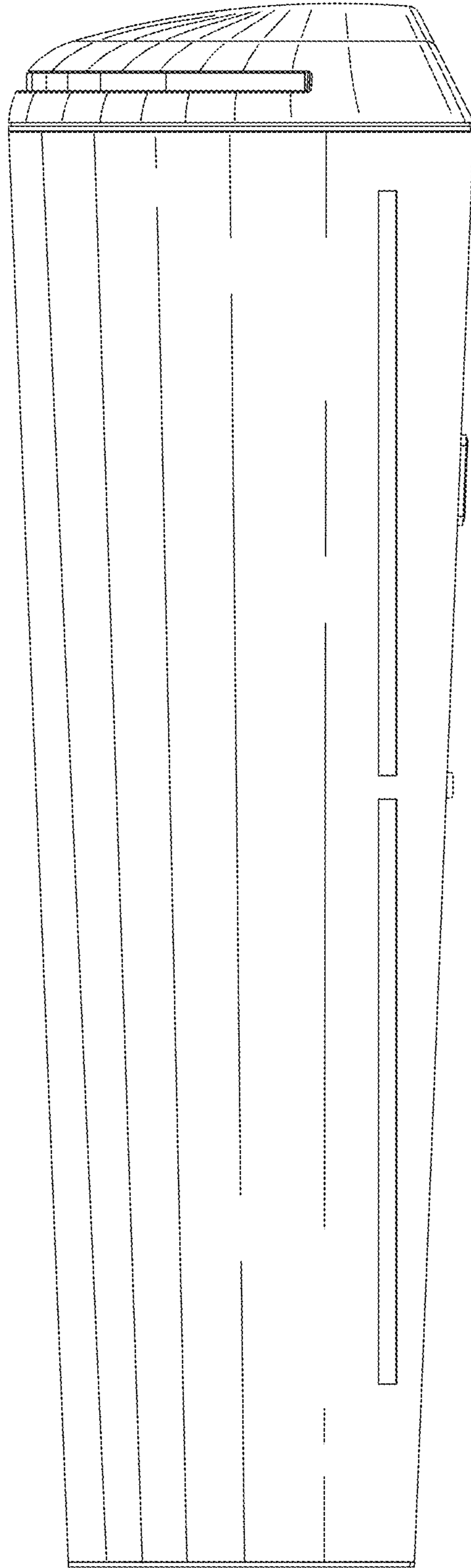


FIG. 4

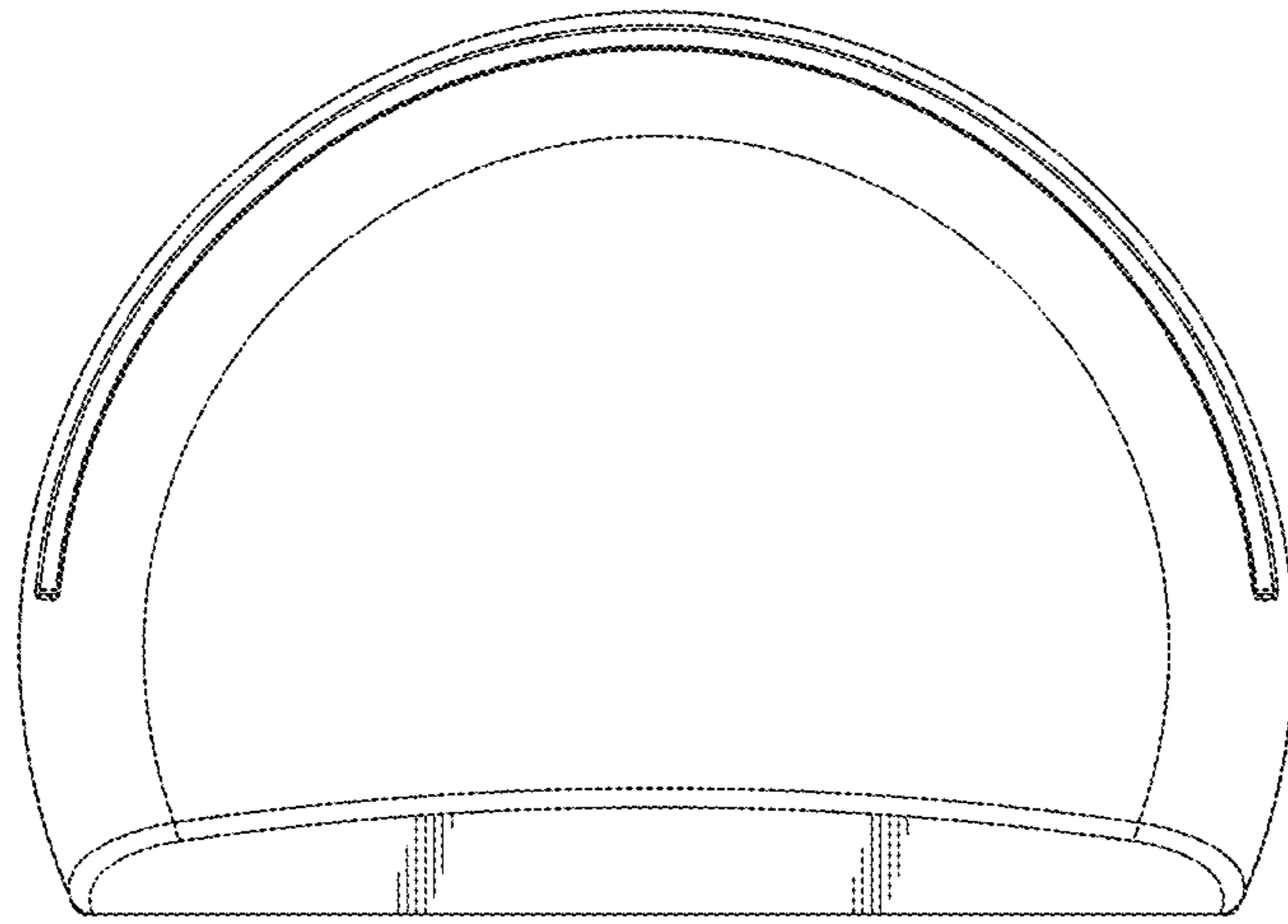


FIG. 5

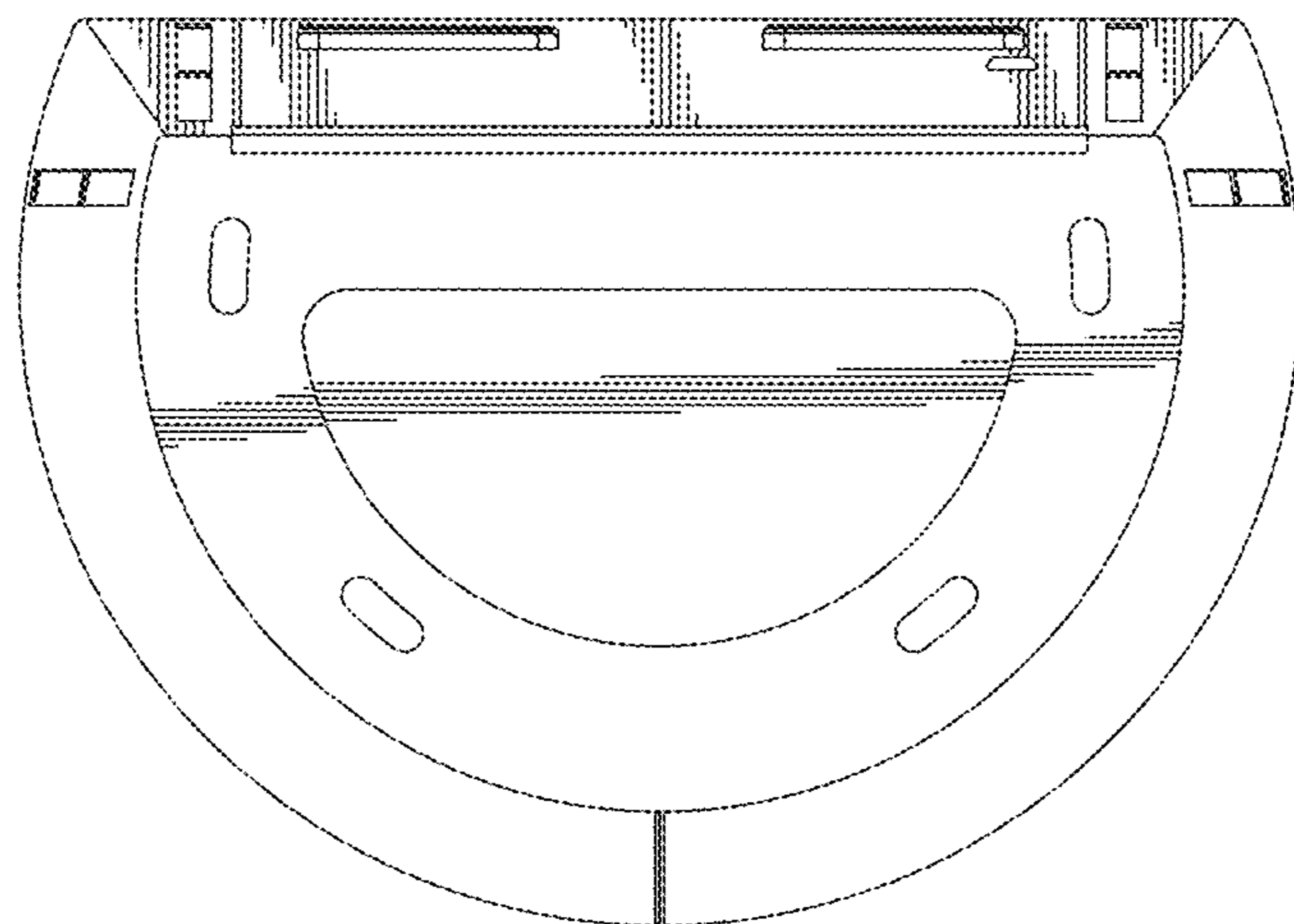


FIG. 6

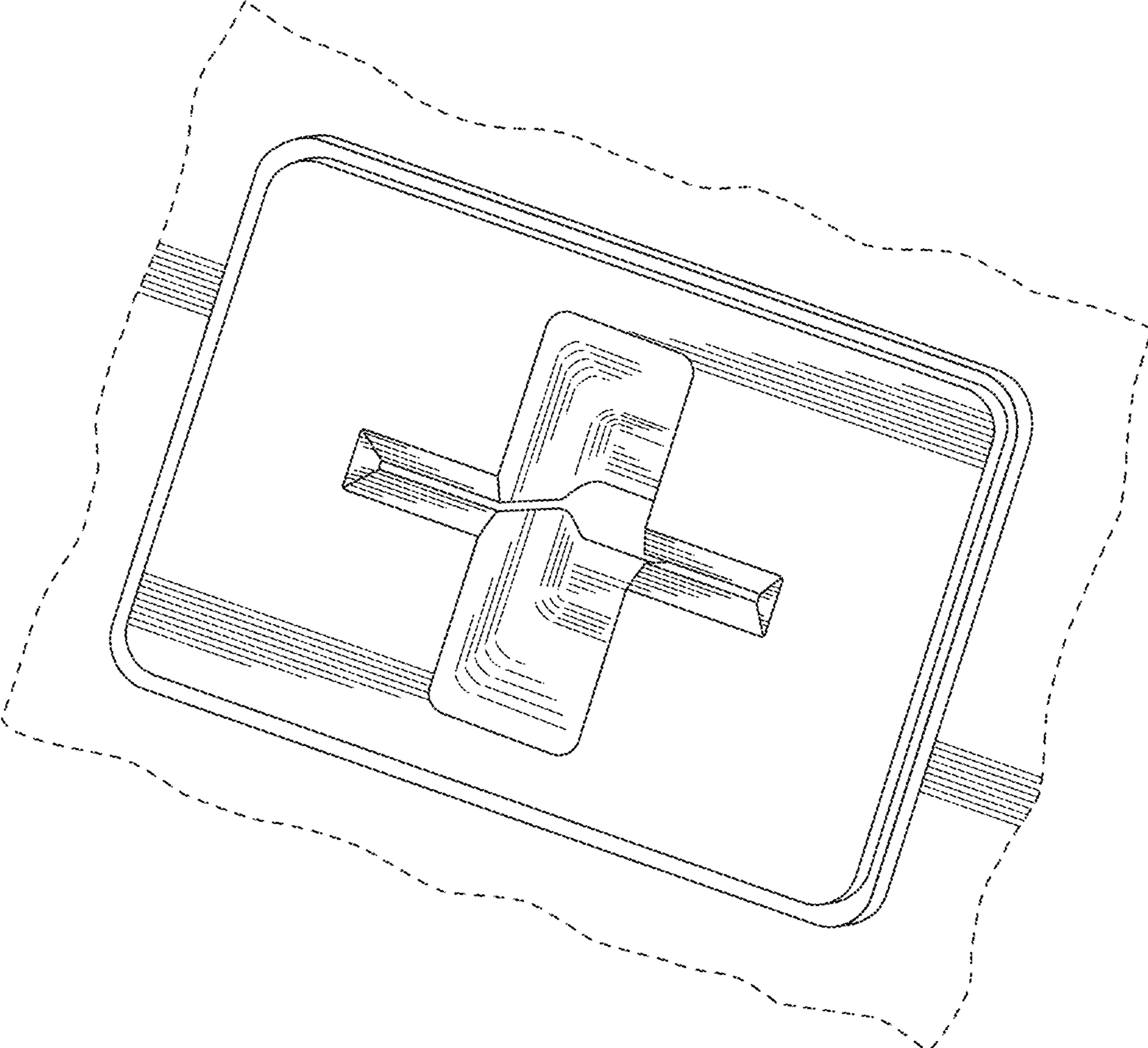


FIG. 7