



US00D885377S

(12) **United States Design Patent**  
**Hu**

(10) **Patent No.:** **US D885,377 S**

(45) **Date of Patent:** **\*\* May 26, 2020**

(54) **MOBILE PHONE STAND**

(71) Applicant: **SHENZHEN QIANHAI PATUOXUN NETWORK AND TECHNOLOGY CO., LTD**, Shenzhen (CN)

(72) Inventor: **Zaihui Hu**, Shenzhen (CN)

(73) Assignee: **SHENZHEN QIANHAI PATUOXUN NETWORK AND TECHNOLOGY CO., LTD**, Shenzhen (CN)

(\*\*) Term: **15 Years**

(21) Appl. No.: **29/721,556**

(22) Filed: **Jan. 21, 2020**

(51) **LOC (12) Cl.** ..... **14-03**

(52) **U.S. Cl.**  
USPC ..... **D14/253**

(58) **Field of Classification Search**  
USPC ..... D14/251–253, 447, 452, 432–434, 440;  
D12/415; D3/218, 144; D8/349, 363  
CPC ..... H04M 1/02; H04M 1/04; B60R 11/02;  
F16M 11/00; F16M 11/04; F16M 11/06  
See application file for complete search history.

(56) **References Cited**

**U.S. PATENT DOCUMENTS**

- 5,988,572 A \* 11/1999 Chivallier ..... B60R 11/0241  
224/929
- 6,840,485 B2 \* 1/2005 Richter ..... B60R 11/00  
248/311.2
- D522,843 S \* 6/2006 Richter ..... D8/363
- D654,054 S \* 2/2012 Kohte ..... F16M 11/041  
D14/217
- D657,783 S \* 4/2012 Mo ..... D14/251
- D691,148 S \* 10/2013 Weatherby, III ..... D14/447
- D691,149 S \* 10/2013 Breton ..... D14/447
- D692,900 S \* 11/2013 Kovacs ..... H01R 13/73  
D14/447
- D711,322 S \* 8/2014 McSweyn ..... D13/144

- D715,132 S \* 10/2014 McSweyn ..... D8/363
- D731,973 S \* 6/2015 Liu ..... D13/144
- D769,861 S 10/2016 Sun
- D777,675 S \* 1/2017 Miller ..... D13/144
- D799,467 S 10/2017 Lou
- D806,084 S \* 12/2017 Nelson ..... D14/447
- D806,085 S \* 12/2017 Nelson ..... D14/447
- D840,409 S \* 2/2019 Miller ..... D14/447
- D865,747 S \* 11/2019 Sage ..... D14/253
- D867,356 S 11/2019 Tan
- 2005/0092875 A1 \* 5/2005 Carnevali ..... F16M 11/40  
248/160
- 2011/0255226 A1 \* 10/2011 Duncan Seil ..... B60R 11/02  
361/679.01
- 2014/0054338 A1 \* 2/2014 Casagrande ..... B60R 11/02  
224/275

\* cited by examiner

*Primary Examiner* — Janice Hallmark

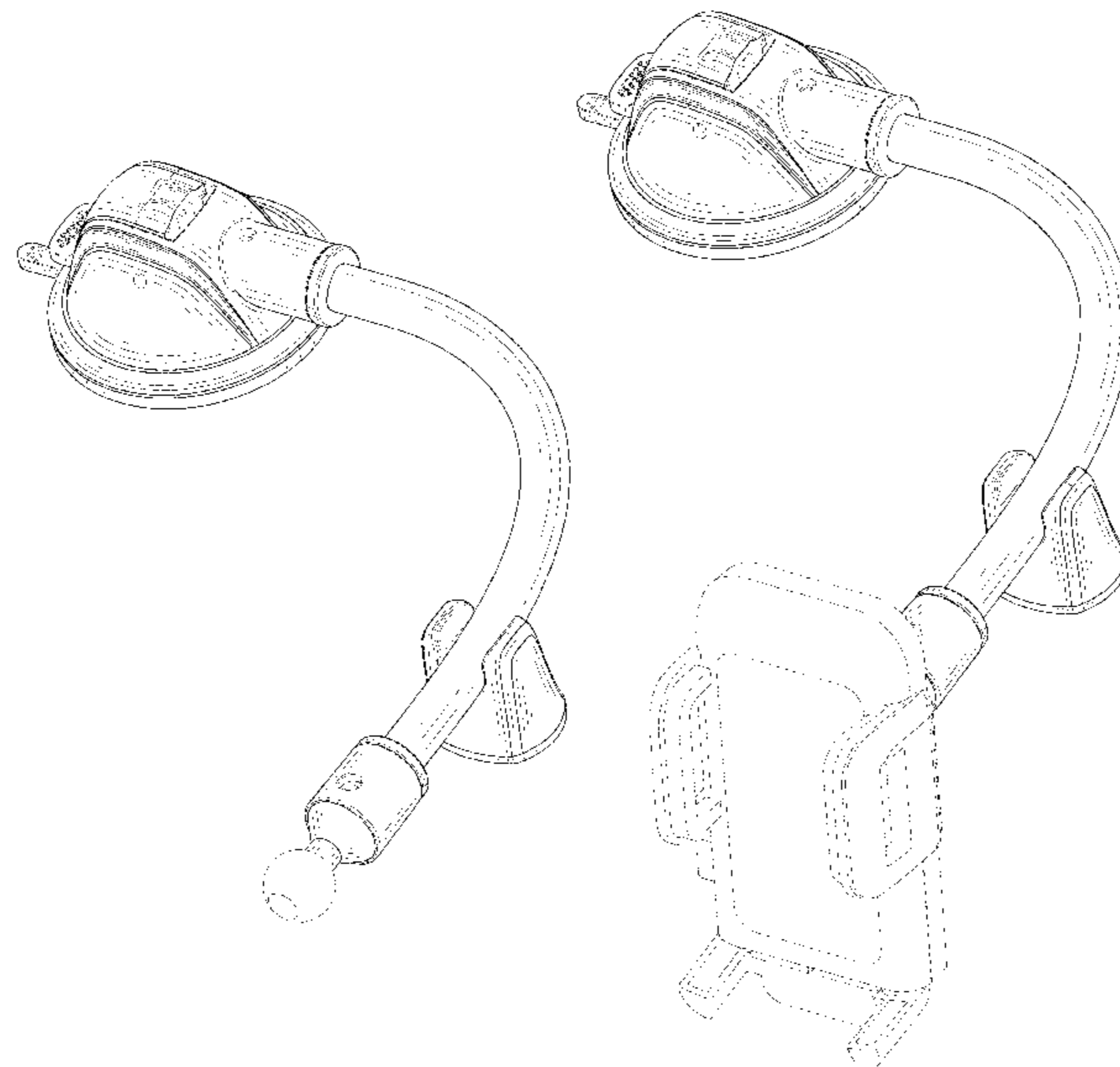
(57) **CLAIM**

The ornamental design for a mobile phone stand, as shown and described.

**DESCRIPTION**

FIG. 1 is a perspective view of a mobile phone stand showing my new design;  
 FIG. 2 is another perspective view thereof;  
 FIG. 3 is a front elevational view thereof;  
 FIG. 4 is a rear elevational view thereof;  
 FIG. 5 is a left side elevational view thereof;  
 FIG. 6 is a right side elevational view thereof;  
 FIG. 7 is a top plan view thereof;  
 FIG. 8 is a bottom plan view thereof; and,  
 FIG. 9 is a perspective view of the mobile phone stand where the mobile phone stand is in a configuration of use.  
 The broken lines in the drawings depict portions of the mobile phone stand that form no part of the claimed design.

**1 Claim, 9 Drawing Sheets**



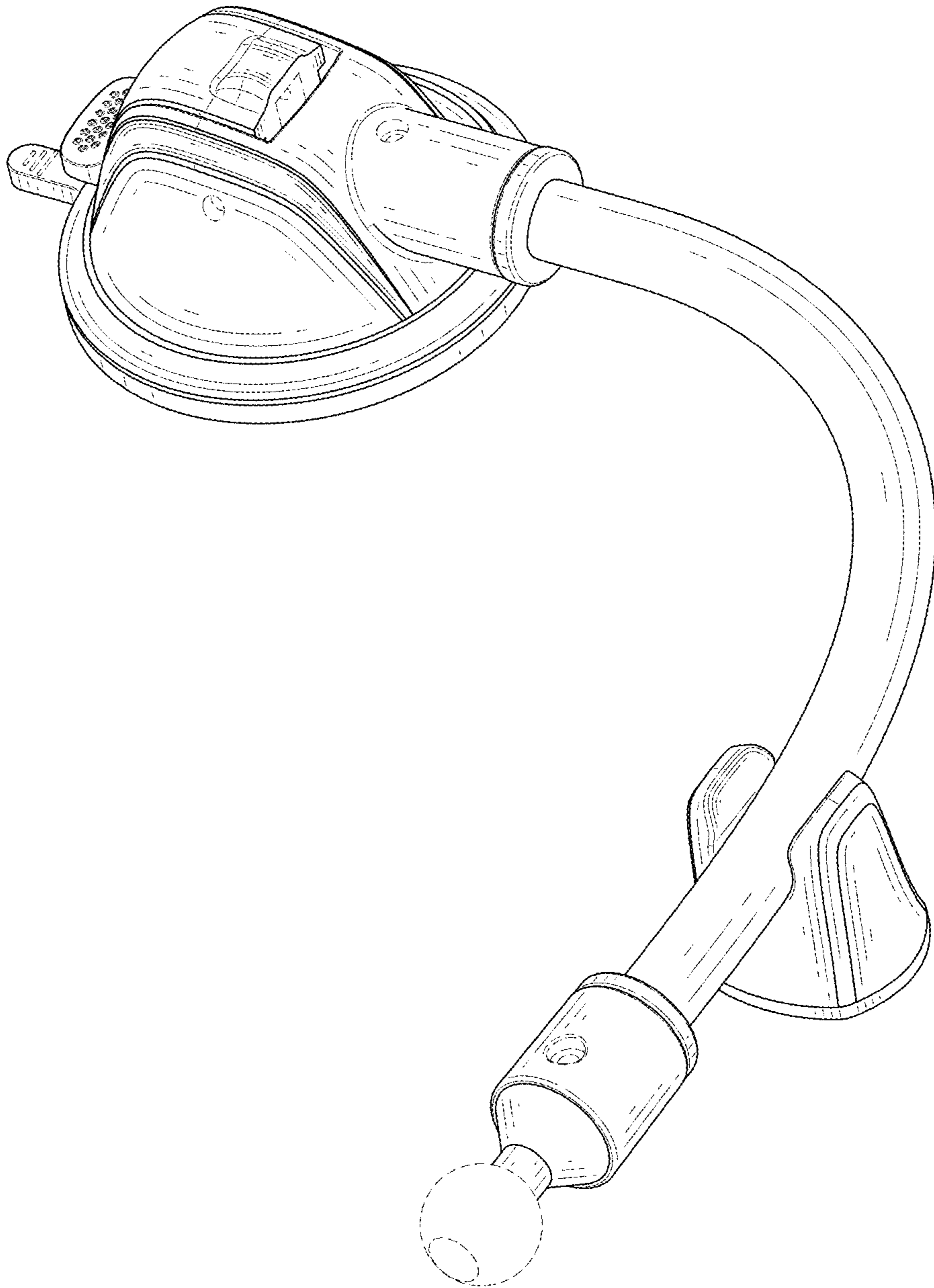


FIG. 1

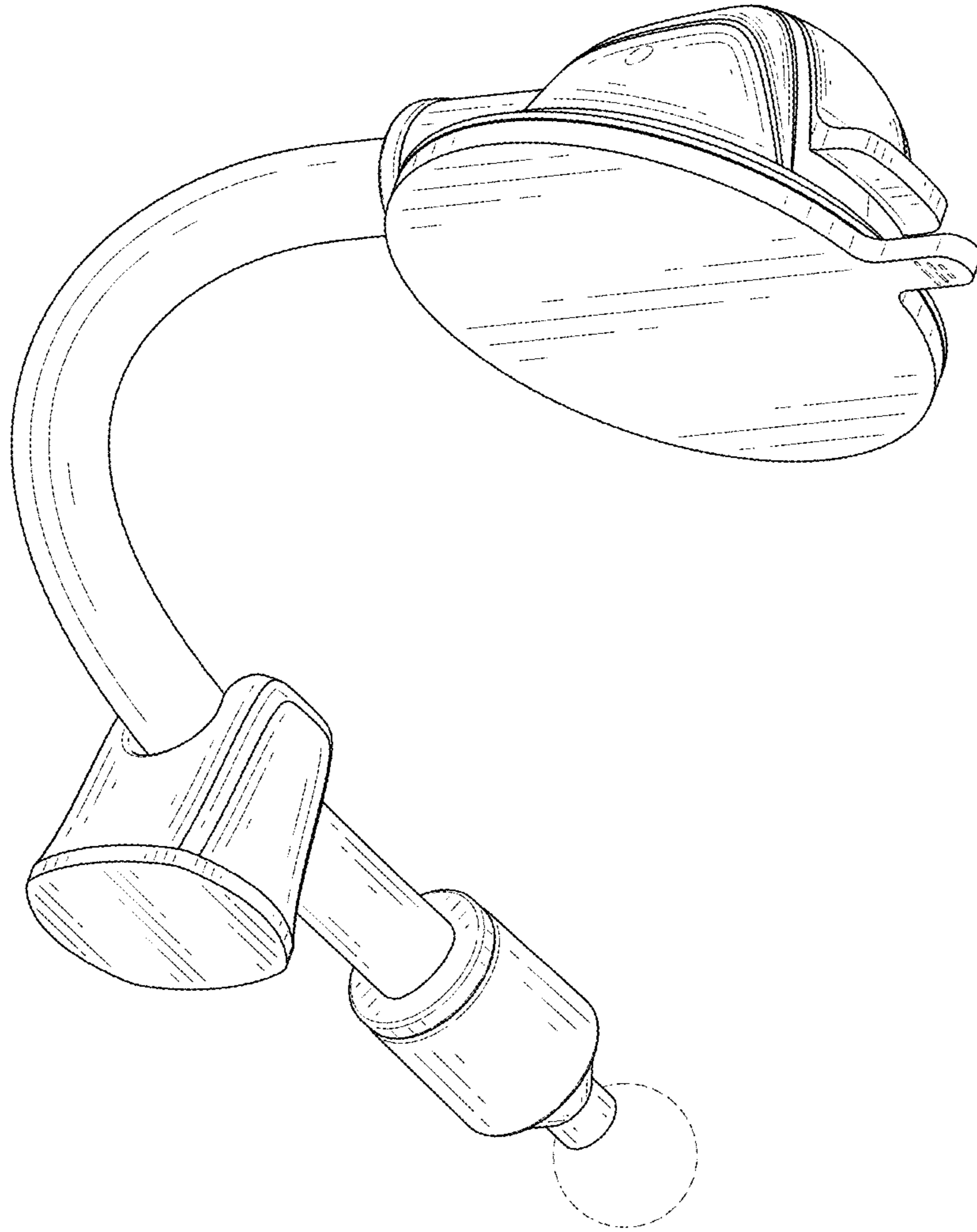


FIG. 2

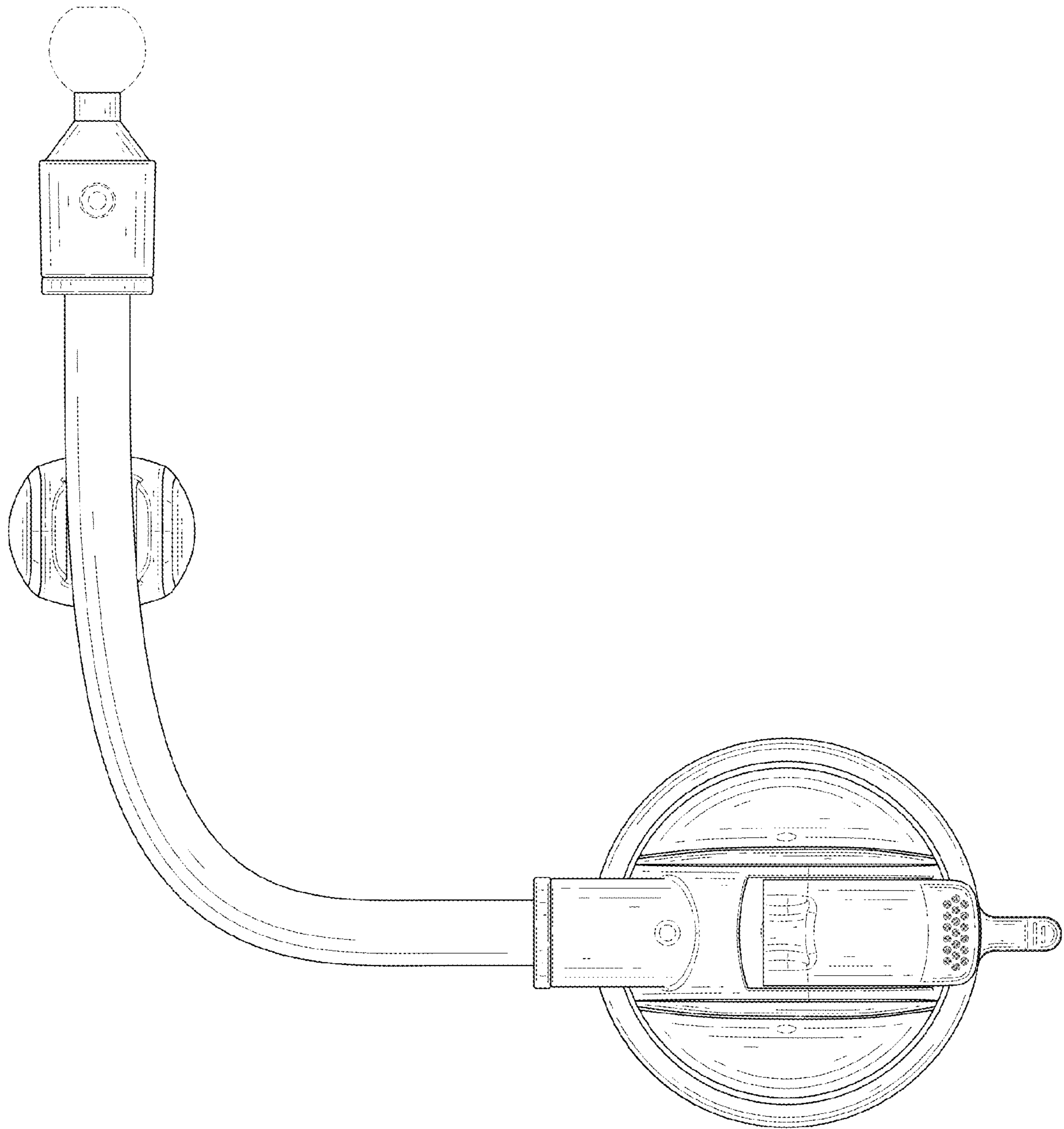


FIG. 3

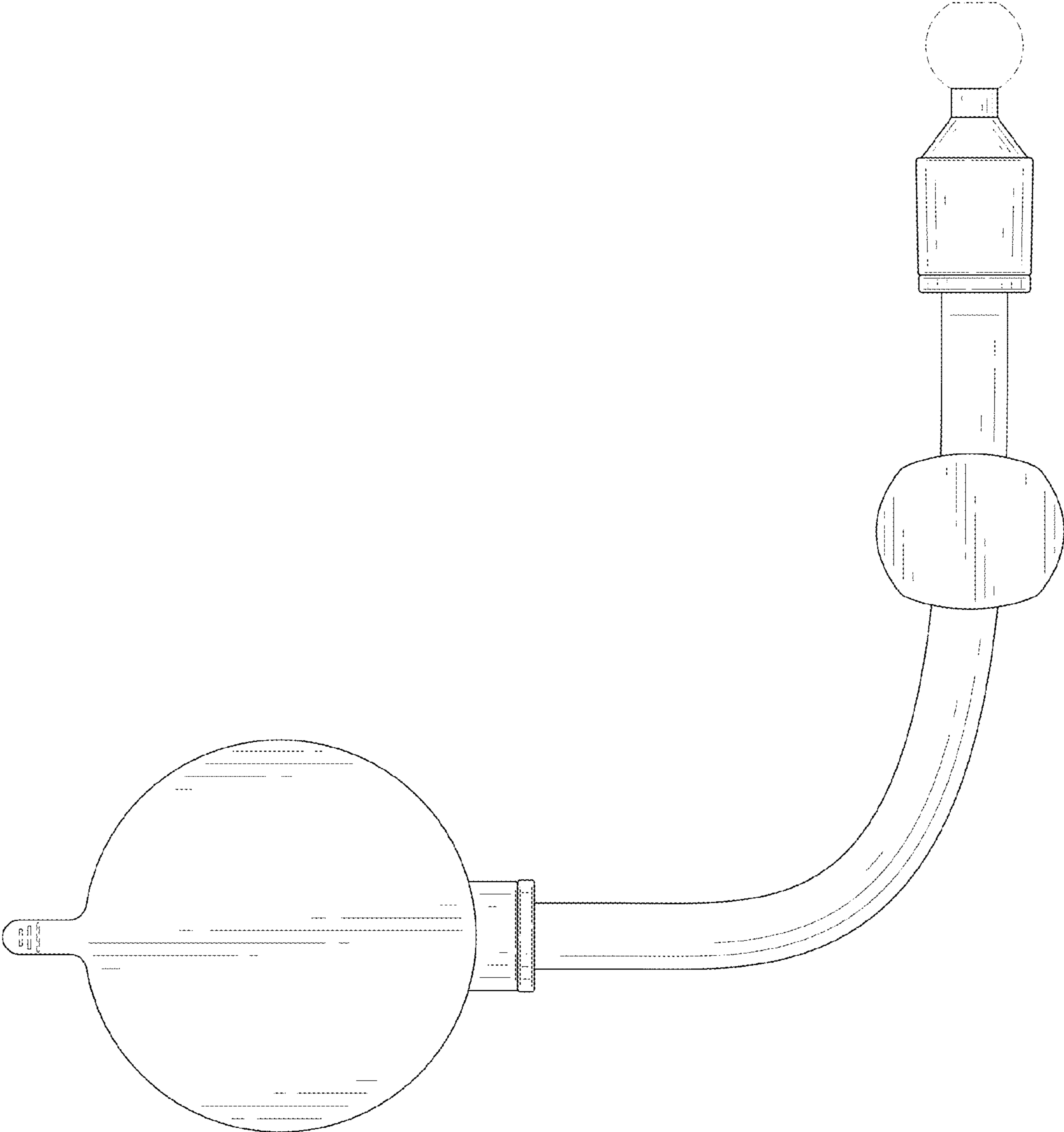


FIG. 4



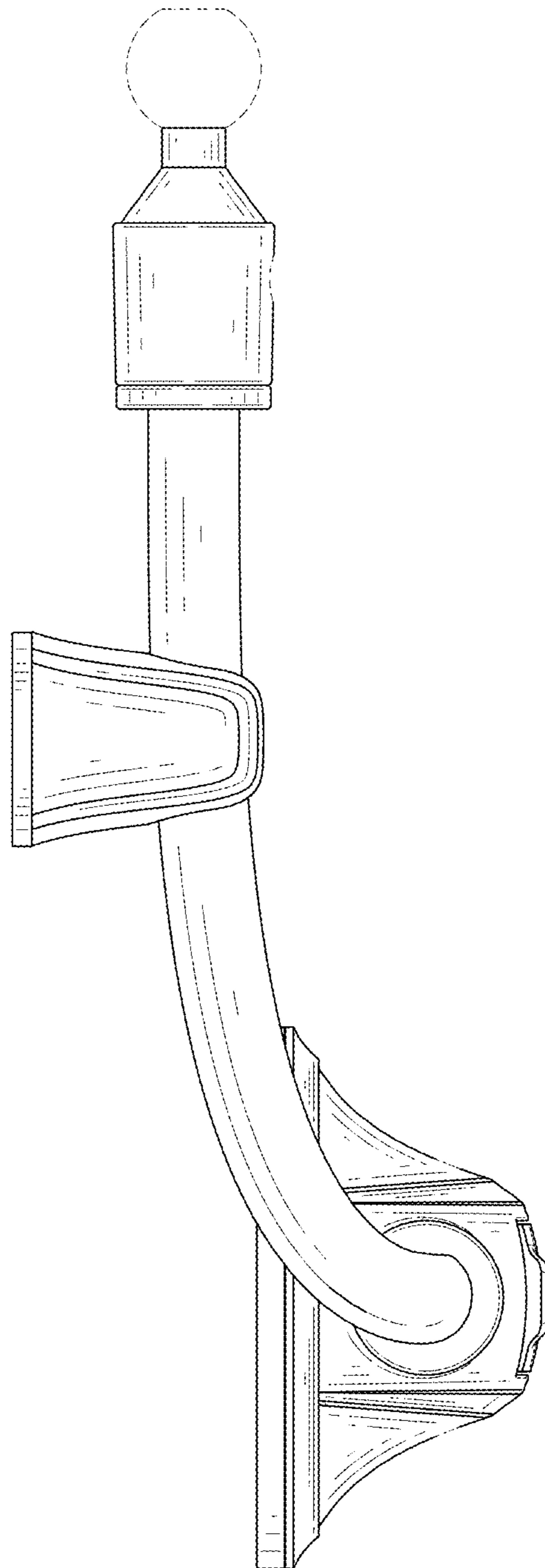


FIG. 5

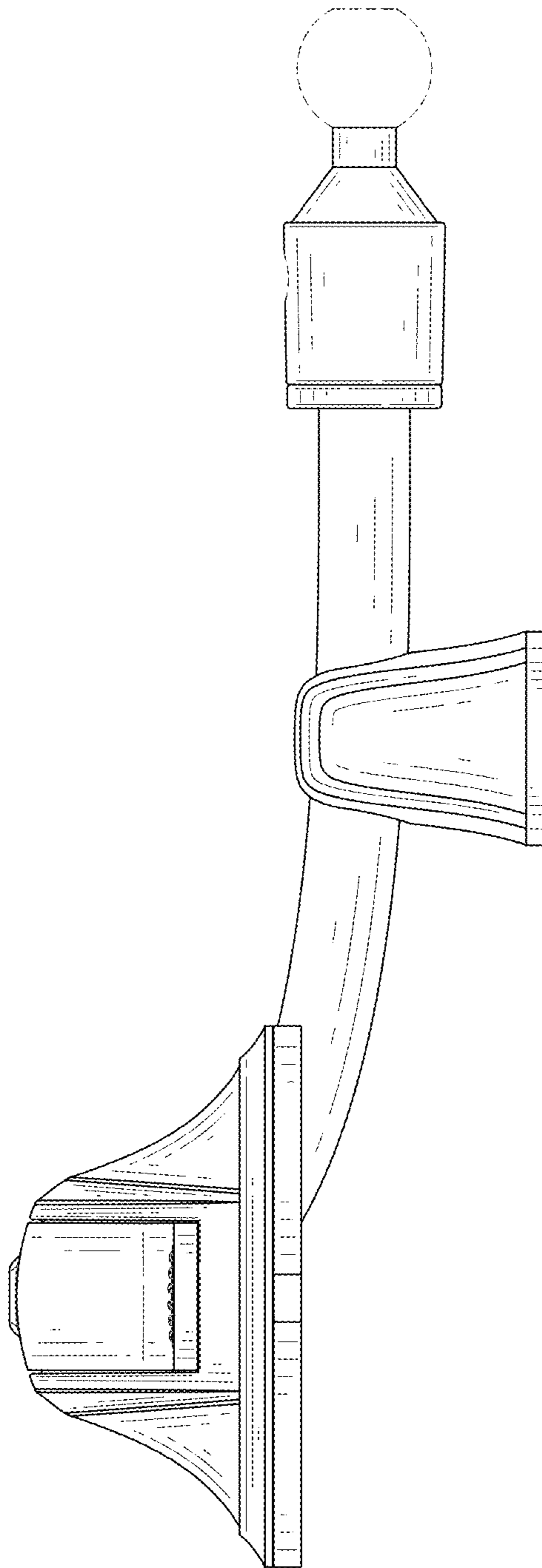


FIG. 6

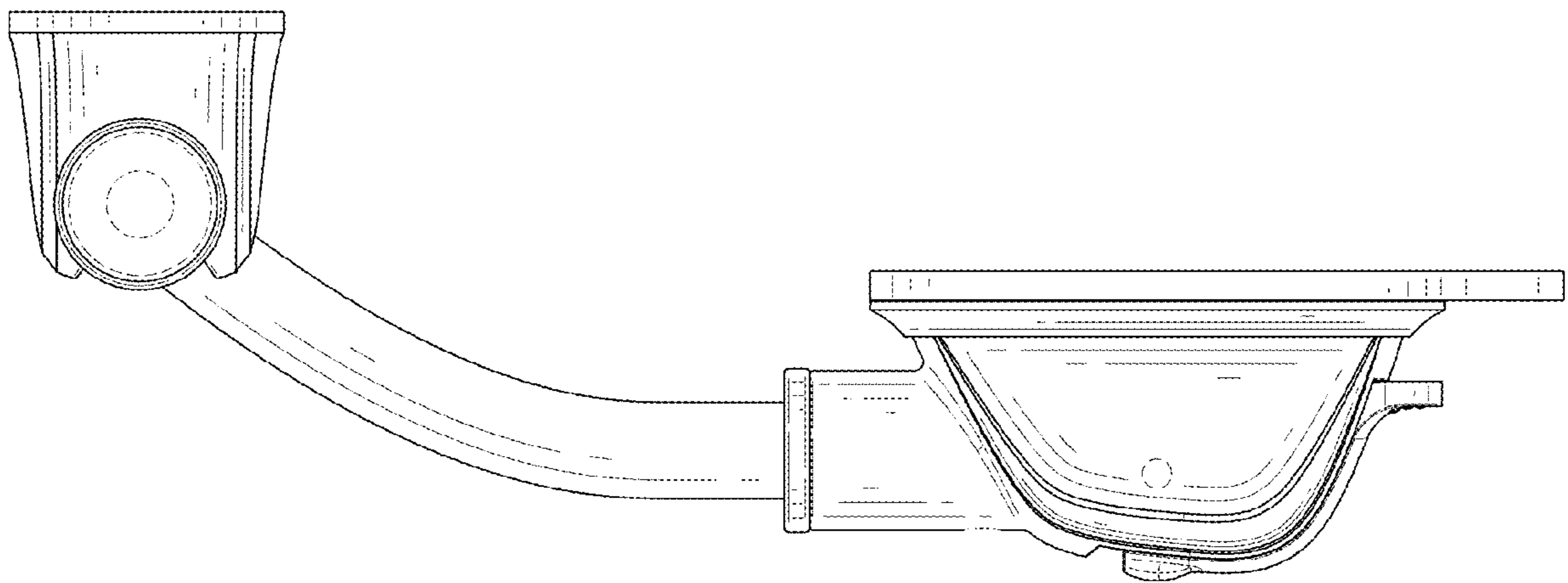


FIG. 7



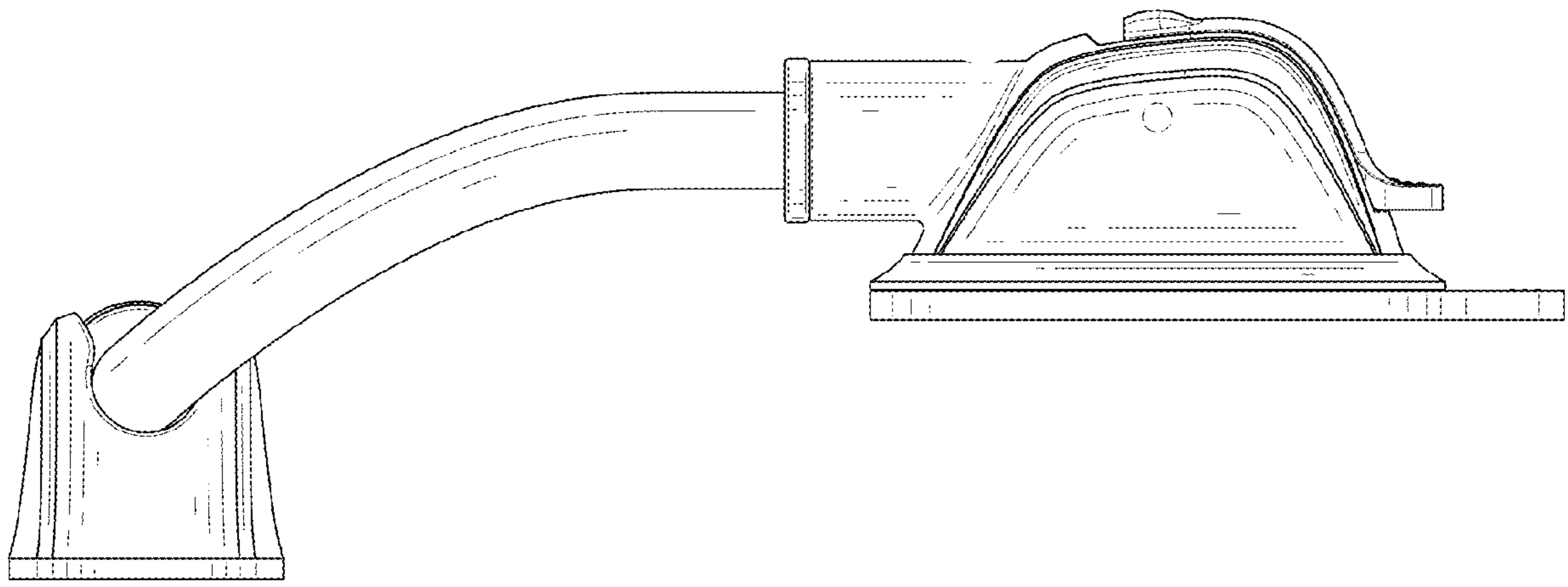


FIG. 8

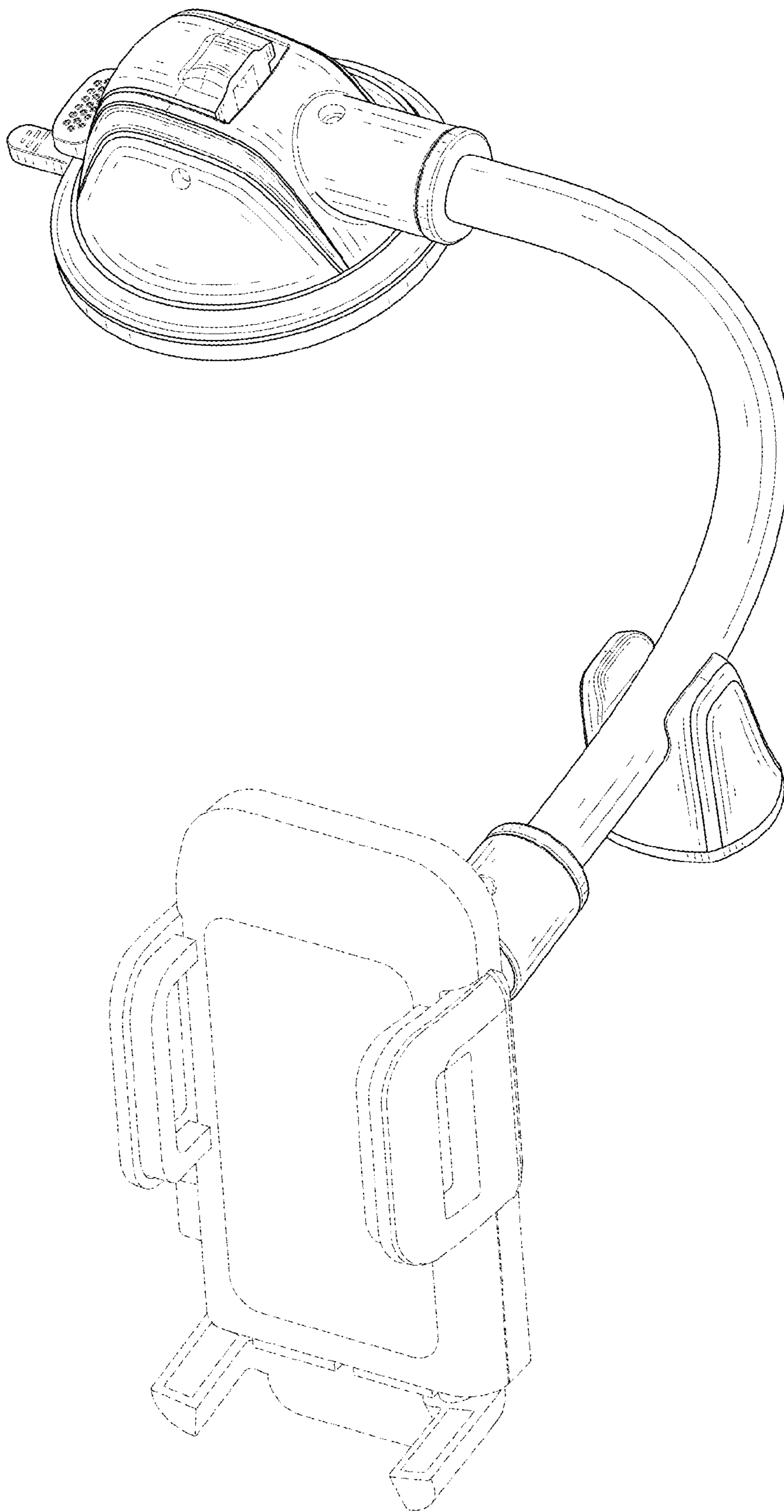


FIG. 9