



US00D885376S

(12) **United States Design Patent**  
**He**

(10) **Patent No.:** **US D885,376 S**

(45) **Date of Patent:** **\*\* May 26, 2020**

- (54) **DROP-SHAPED PHONE STAND**
- (71) Applicant: **SHENZHEN SAIRUISI E-COMMERCE CO., LTD.**, Shenzhen (CN)
- (72) Inventor: **Falin He**, Shenzhen (CN)
- (73) Assignee: **SHENZHEN SAIRUISI E-COMMERCE CO., LTD.**, Shenzhen (CN)
- (\*\*) Term: **15 Years**
- (21) Appl. No.: **29/677,812**
- (22) Filed: **Jan. 23, 2019**
- (51) **LOC (12) Cl.** ..... **14-03**
- (52) **U.S. Cl.**  
USPC ..... **D14/253; D3/218**
- (58) **Field of Classification Search**  
USPC ..... D14/251–253, 447, 452, 432–434, 440; D12/415; D3/218, 144; D8/349, 363  
CPC ..... H04M 1/02; H04M 1/04; B60R 11/02; F16M 11/00; F16M 11/04; F16M 11/06  
See application file for complete search history.

D753,912 S *	4/2016	Spero .....	A45C 13/20 D3/218
D768,635 S *	10/2016	Due .....	D14/432
D769,859 S *	10/2016	Herbst .....	D14/253
D773,325 S *	12/2016	Browning .....	D10/74
D775,619 S *	1/2017	Tien .....	D14/250
D784,978 S *	4/2017	Hobbs .....	D14/253
D794,607 S *	8/2017	Srouf .....	D14/217
D799,468 S *	10/2017	Chen .....	D14/253
D809,449 S *	2/2018	Zhang .....	D12/415
D815,086 S *	4/2018	Jeon .....	D14/251
D843,308 S *	3/2019	Jung .....	D12/415
D863,280 S *	10/2019	Aloe .....	D14/250
D866,546 S *	11/2019	Stillwell .....	D14/253
D879,089 S *	3/2020	Richter .....	D14/253
D879,109 S *	3/2020	Lederer .....	D14/447
D879,766 S *	3/2020	Fan .....	D14/253

\* cited by examiner

*Primary Examiner* — Janice Hallmark

(57) **CLAIM**

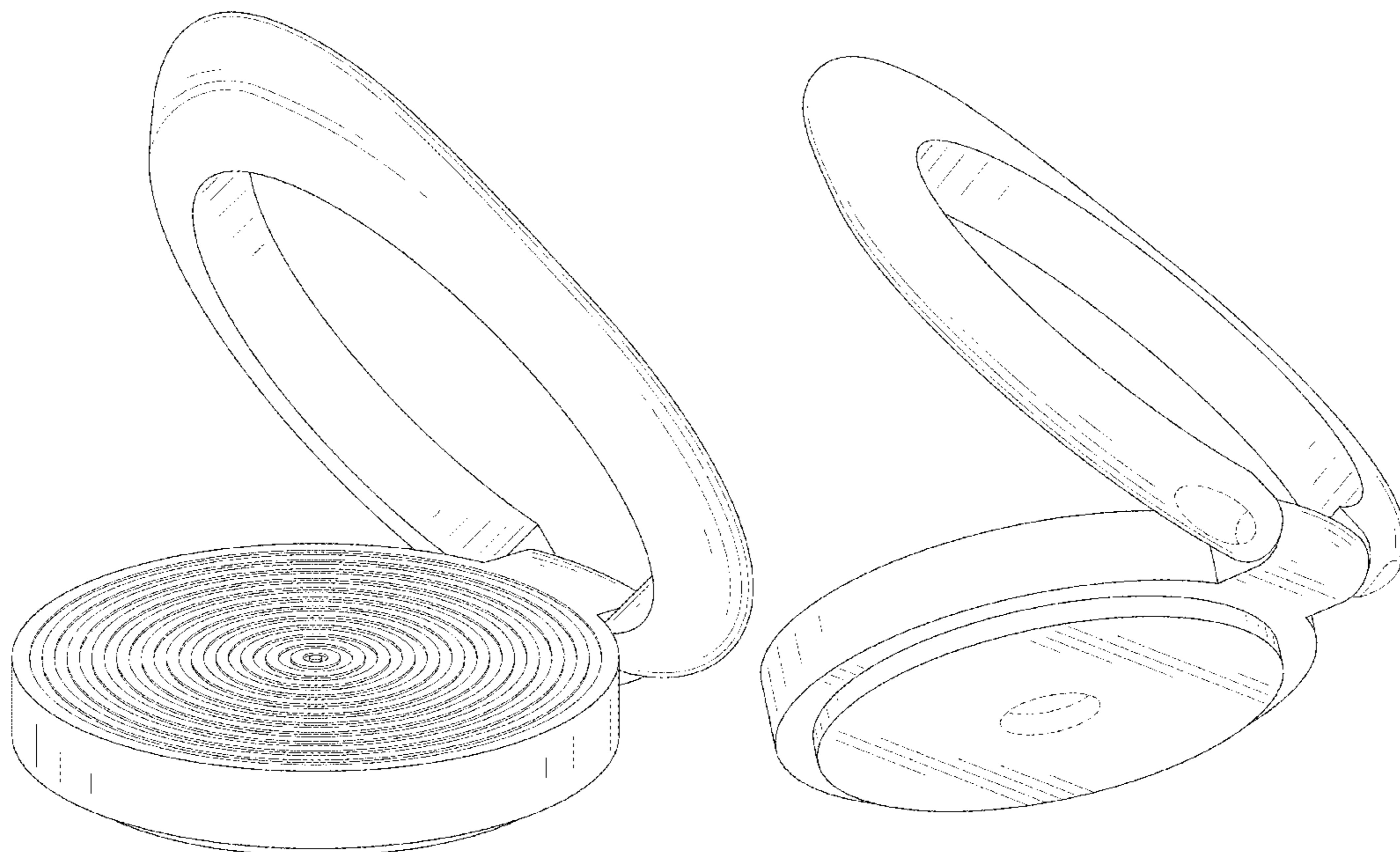
The ornamental design for a drop-shaped phone stand, as shown and described.

**DESCRIPTION**

FIG. 1 is a perspective view of a drop-shaped phone stand showing my new design;  
 FIG. 2 is another perspective view thereof;  
 FIG. 3 is a front elevational view thereof;  
 FIG. 4 is a rear elevational view thereof;  
 FIG. 5 is a left side elevational view thereof;  
 FIG. 6 is a right side elevational view thereof;  
 FIG. 7 is a top plan view thereof; and,  
 FIG. 8 is a bottom plan view thereof.  
 The broken lines in the drawings illustrate portions of the drop-shaped phone stand that form no part of the claimed design.

**1 Claim, 8 Drawing Sheets**

- (56) **References Cited**  
U.S. PATENT DOCUMENTS
- 7,661,567 B2 \* 2/2010 Myers ..... A45C 13/20  
224/217
- D681,612 S \* 5/2013 Palacios ..... H04M 1/04  
D14/238.1
- 8,550,317 B2 \* 10/2013 Hyseni ..... A45F 5/00  
224/197
- 8,560,031 B2 \* 10/2013 Barnett ..... F16M 13/00  
455/575.8
- D693,818 S \* 11/2013 Webber ..... D14/439
- D752,054 S \* 3/2016 Baumann ..... D14/447



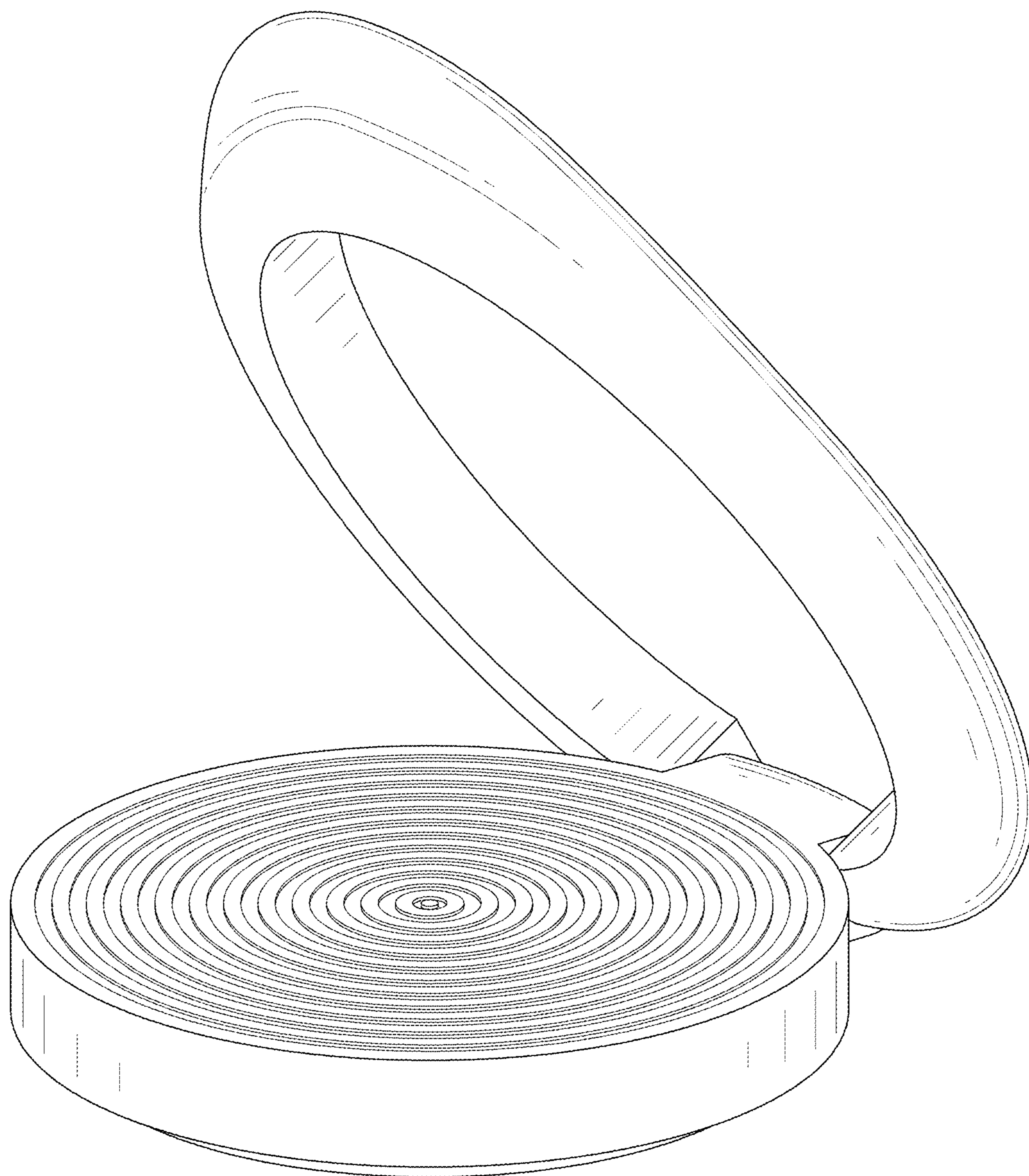


FIG. 1

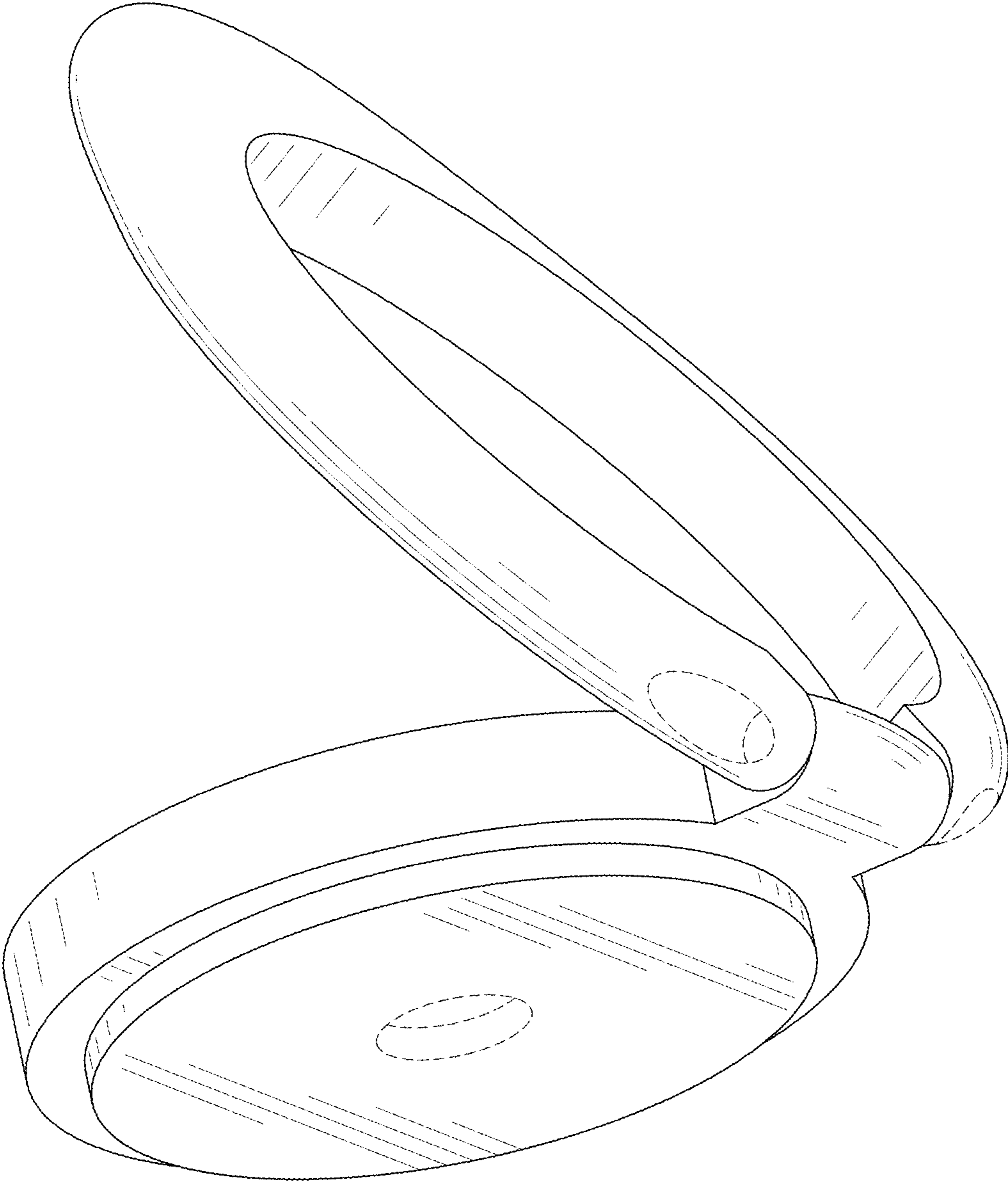


FIG. 2

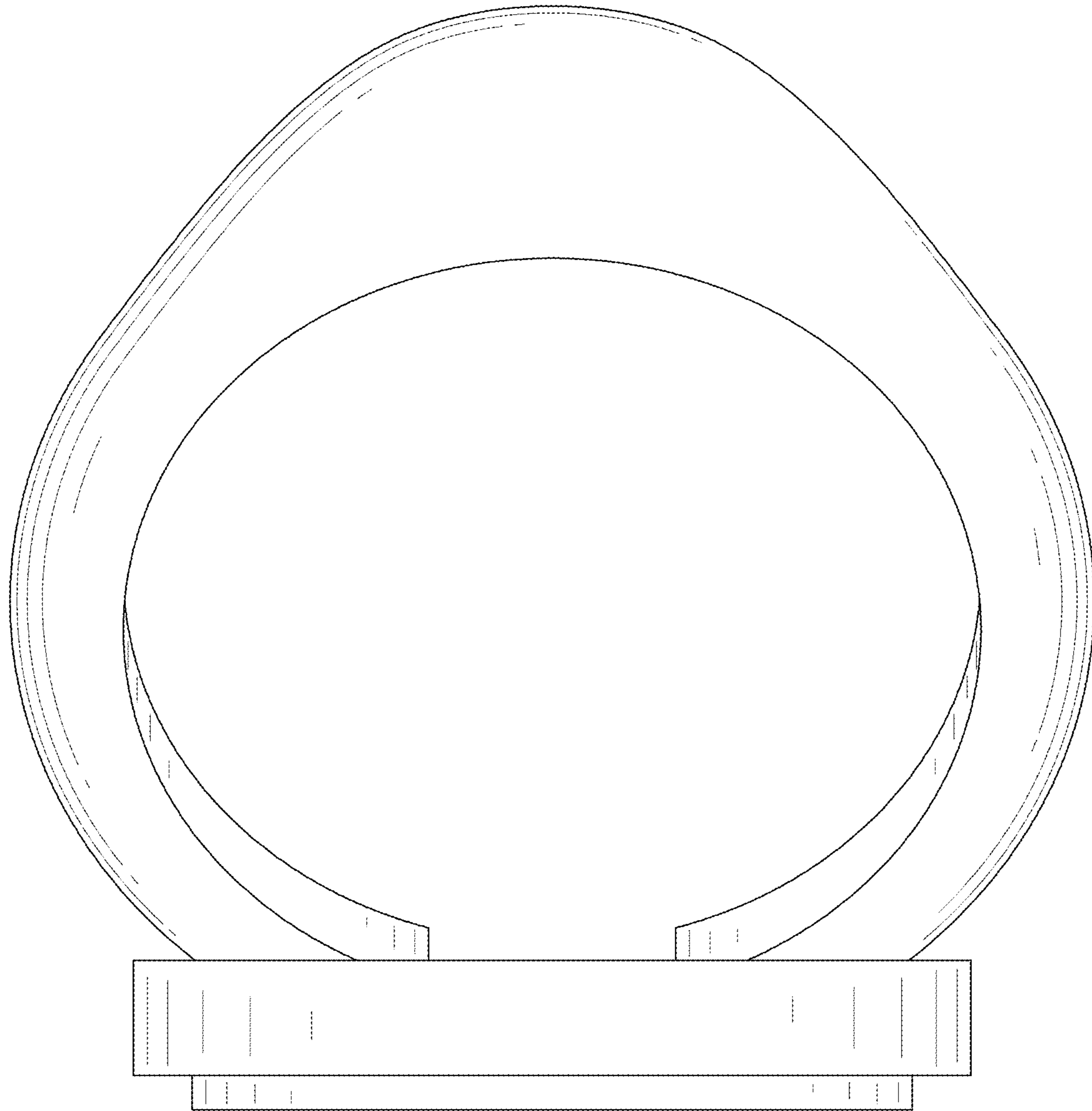


FIG. 3

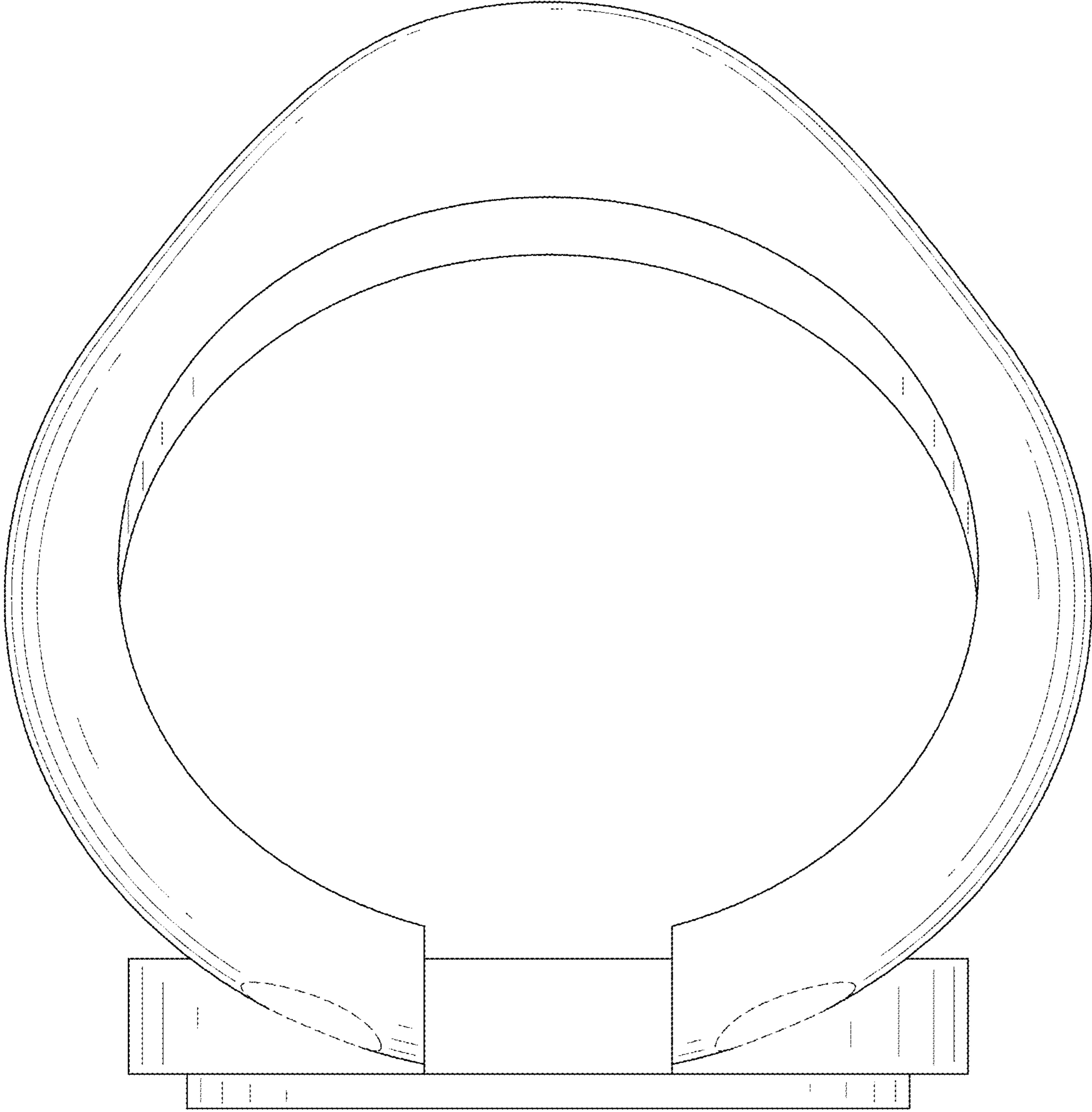


FIG. 4

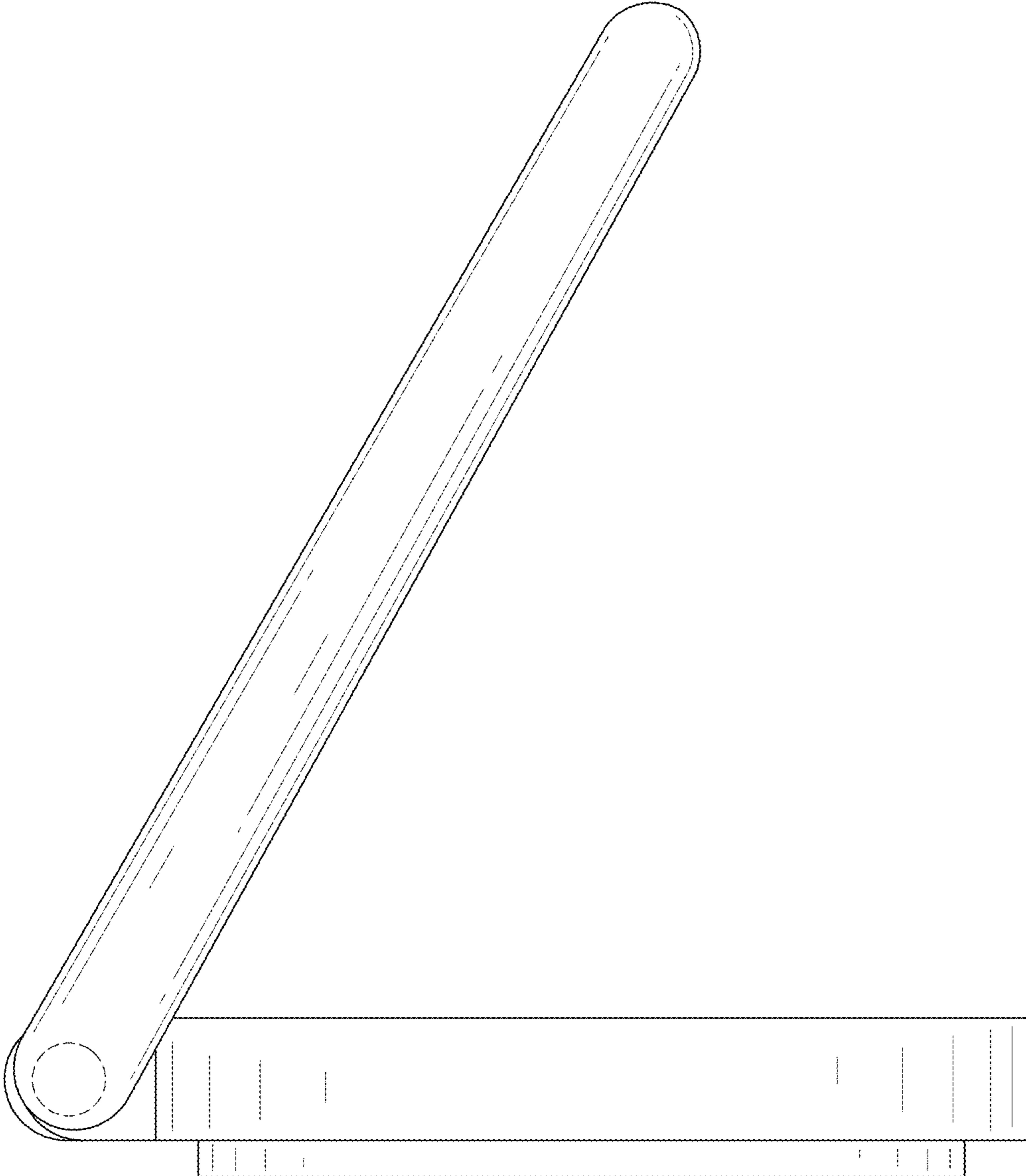


FIG. 5

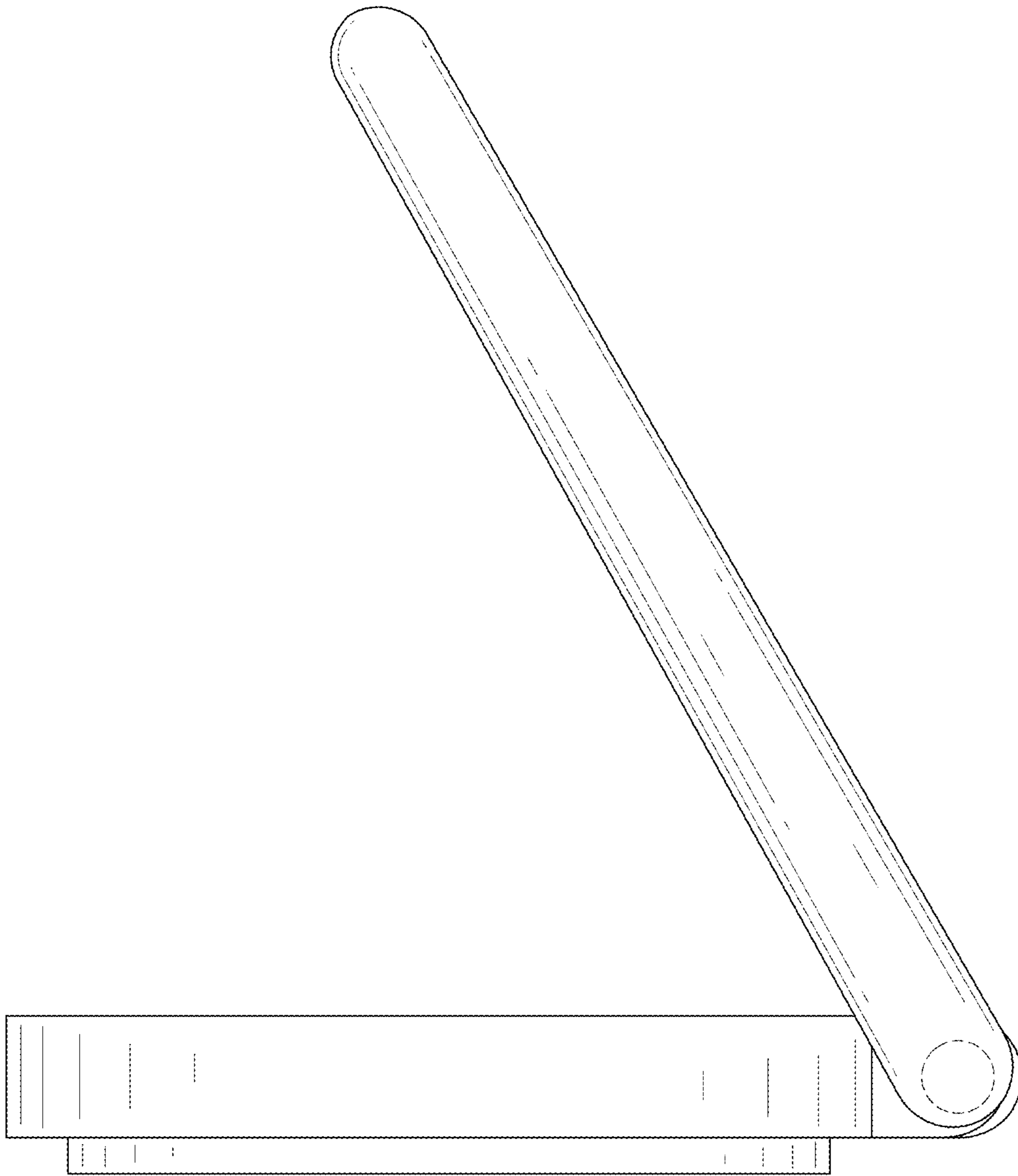


FIG. 6

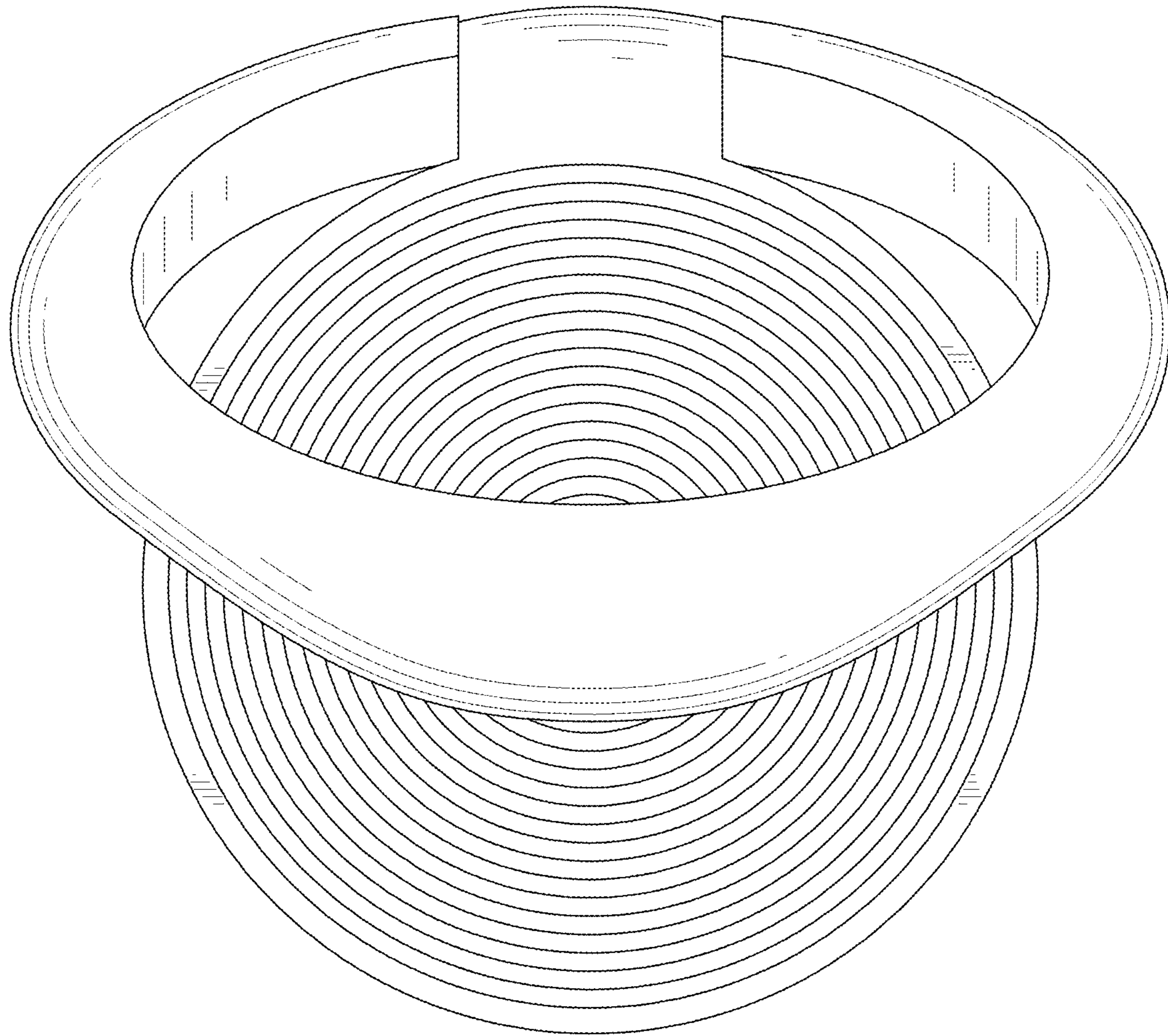


FIG. 7



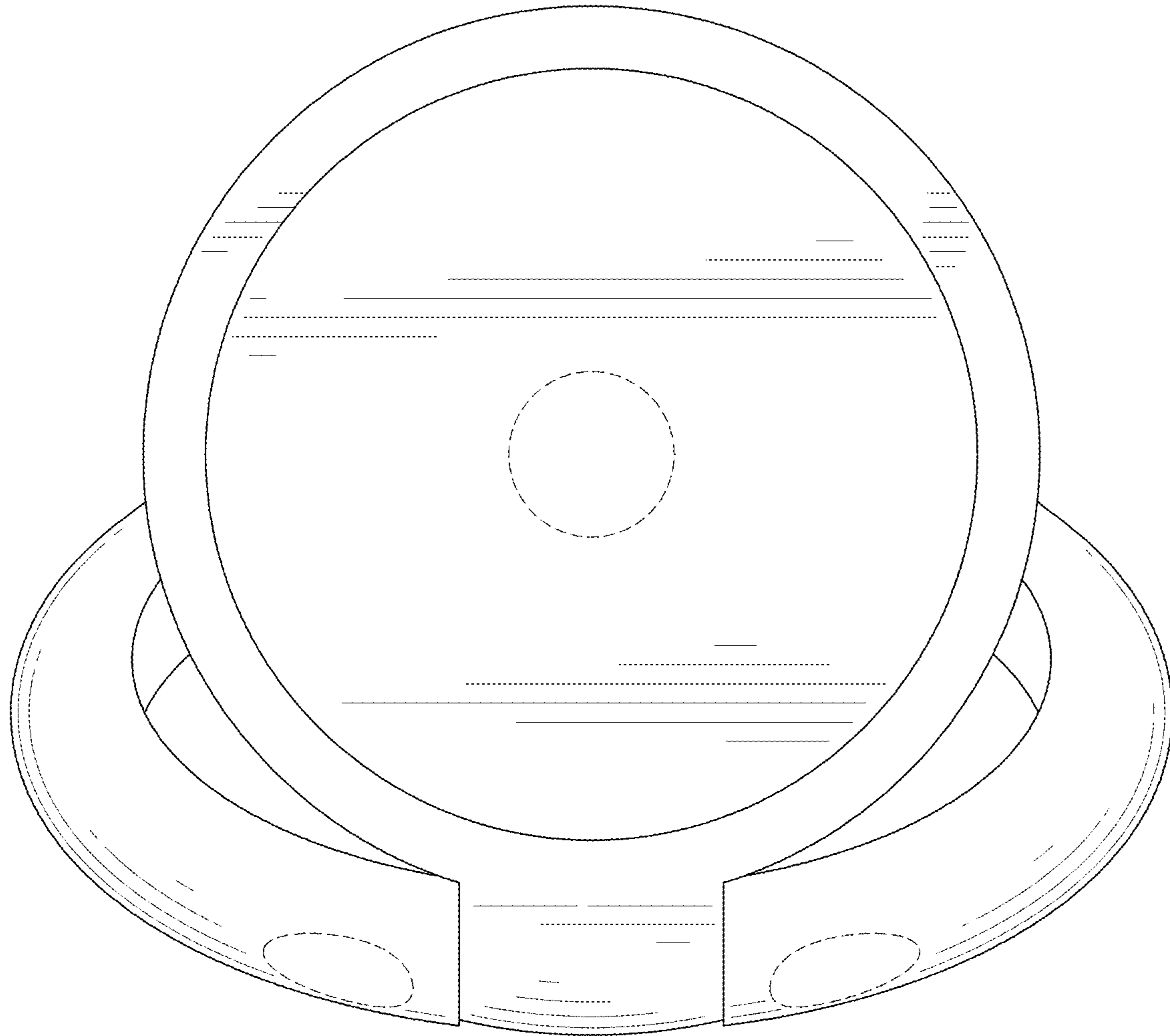


FIG. 8