



US00D885375S

(12) **United States Design Patent**  
**Haskell**

(10) **Patent No.:** **US D885,375 S**

(45) **Date of Patent:** **\*\* May 26, 2020**

(54) **CASE FOR MOBILE COMMUNICATIONS DEVICE**

(71) Applicant: **Starz Plus LLC**, New York, NY (US)

(72) Inventor: **Nikki Haskell**, Los Angeles, CA (US)

(73) Assignee: **STARZ PLUS LLC**, New York, NY (US)

(\*\*) Term: **15 Years**

(21) Appl. No.: **29/699,965**

(22) Filed: **Jul. 30, 2019**

(51) **LOC (12) Cl.** ..... **14-03**

(52) **U.S. Cl.**  
USPC ..... **D14/250**

(58) **Field of Classification Search**  
USPC ..... D14/250, 203.3–203.7, 439, 238.1, 440,  
D14/251–253, 447, 217, 240, 248;  
D3/201, 218, 247, 269, 273, 301, 303;  
D13/103, 119, 107–108  
CPC ..... H04B 1/3888; H04M 1/0283; H04M  
1/0202; A45C 1/06; A45C 11/00; A45C

(Continued)

(56) **References Cited**

U.S. PATENT DOCUMENTS

D710,346 S \* 8/2014 Smith ..... D14/250  
D719,950 S \* 12/2014 Smith ..... D14/250  
9,086,610 B2 7/2015 Shoemake et al.

(Continued)

OTHER PUBLICATIONS

LuMee, Light Up Your Cell Phone Case, downloaded from web page: <https://lumee.com/>, Download date: Jul. 14, 2016, original posting unknown, 2 pages.

(Continued)

*Primary Examiner* — Carla J Wright

(74) *Attorney, Agent, or Firm* — Panitch Schwarze Belisario & Nadel LLP

(57) **CLAIM**

The ornamental design for a case for mobile communications device, as shown and described.

**DESCRIPTION**

FIG. 1 is a top, front and left side perspective view of a case for mobile communications device in accordance with my new design, with a front cover thereof in a closed orientation and a telescopic handle thereof in an angled, extended state; FIG. 2 is a bottom, rear and right side perspective view thereof;

FIG. 3 is a front elevational view thereof;

FIG. 4 is a rear elevational view thereof;

FIG. 5 is a right side elevational view thereof;

FIG. 6 is a left side elevational view thereof

FIG. 7 is a top plan view thereof;

FIG. 8 is a bottom plan view thereof;

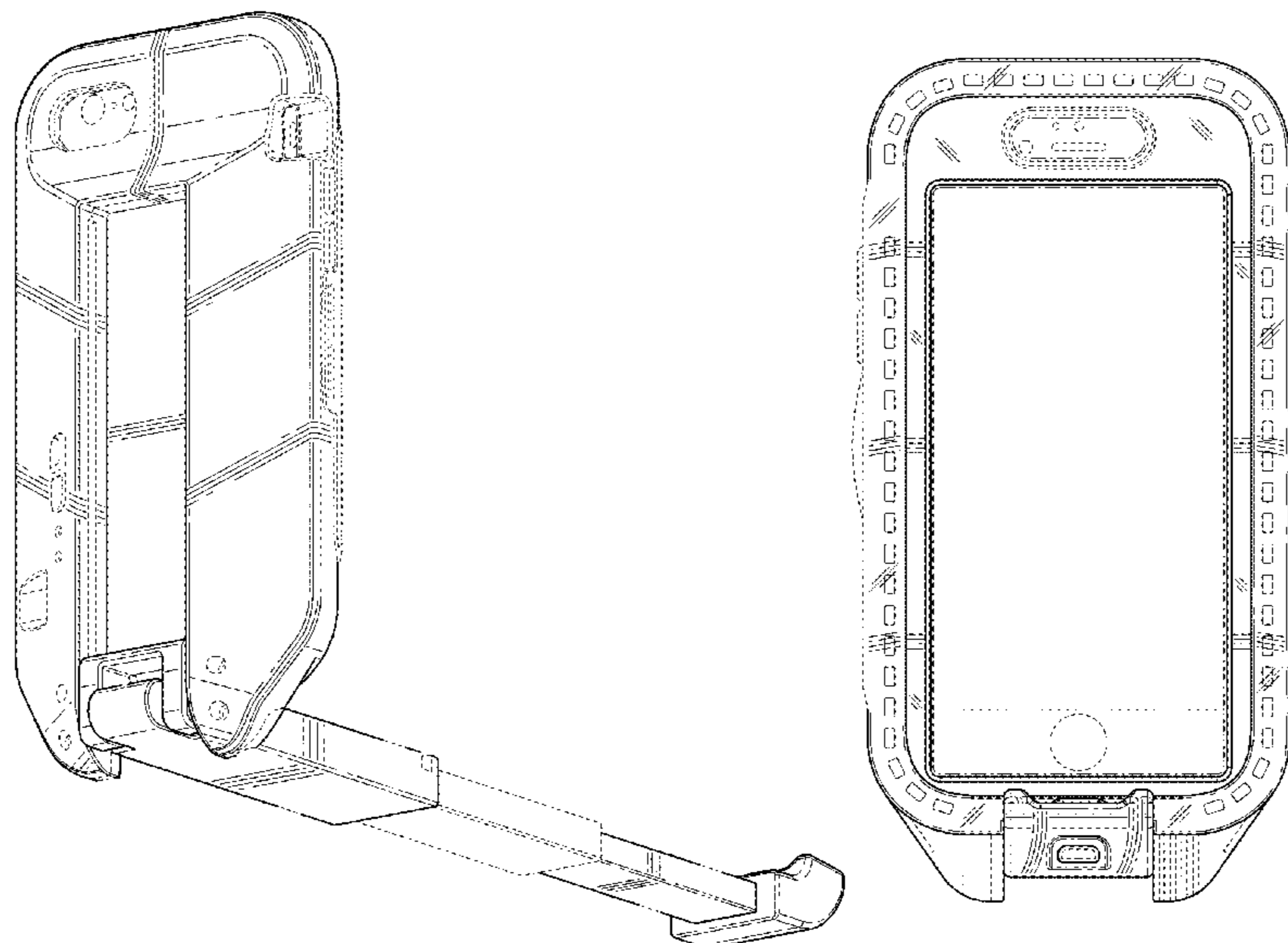
FIG. 9 is a top, front and left side perspective view thereof, with the telescopic handle in a straight down, extended state; and,

FIG. 10 is a rear elevational view thereof, with the telescopic handle in a collapsed, storage state.

The dash-dot broken lines in the drawing figures represent boundaries of the claimed design. The dash-dash broken lines in the drawing figures depict portions of the case for mobile communications device that form no part of the claimed design. The broken lines and the regions bounded by the broken lines form no part of the claimed design.

The oblique three-line clusters with a left-to-right upward trajectory shown in FIGS. 1, 3 and 9 indicate transparency of the respective surface, whereas the oblique three-line clusters with a left-to-right downward trajectory shown in FIGS. 1, 3 and 9 indicate reflectivity of the respective surface.

**1 Claim, 10 Drawing Sheets**



(58) **Field of Classification Search**  
 CPC ..... 13/02; A45C 2011/002; A45F 2005/026;  
 A45F 2200/0525; A45F 2200/0516  
 See application file for complete search history.

(56) **References Cited**

U.S. PATENT DOCUMENTS

D751,542 S \* 3/2016 Daniel ..... D14/250  
 9,301,584 B2 \* 4/2016 Butts ..... A45C 11/00  
 D760,710 S \* 7/2016 Ozolins ..... D14/250  
 9,442,346 B2 9/2016 Gantz et al.  
 9,464,796 B2 10/2016 Shoemake et al.  
 9,473,190 B1 \* 10/2016 Sandlofer ..... G03B 17/563  
 D775,114 S \* 12/2016 Khalili ..... D14/250  
 D778,275 S \* 2/2017 Gabriel ..... D14/250  
 9,593,842 B2 3/2017 Shoemake et al.  
 D784,975 S \* 4/2017 Ballou ..... D14/250  
 9,787,807 B1 \* 10/2017 Glickman ..... G06F 1/1628  
 9,930,235 B2 3/2018 Gantz et al.  
 10,003,681 B1 \* 6/2018 Hsu ..... H04M 1/06  
 D838,708 S \* 1/2019 Mitchell ..... D14/250  
 D841,638 S \* 2/2019 Jackson ..... D14/250  
 D848,410 S \* 5/2019 Schiro ..... D14/250  
 D850,373 S \* 6/2019 Zhang ..... D13/108  
 10,397,460 B2 8/2019 Shoemake et al.  
 D860,984 S \* 9/2019 Stagge ..... D14/250  
 2005/0148364 A1 7/2005 Yamashita  
 2009/0167507 A1 7/2009 Maenpaa  
 2009/0181729 A1 7/2009 Griffin, Jr. et al.  
 2011/0050063 A1 3/2011 Wang et al.  
 2012/0070140 A1 3/2012 Chow et al.  
 2012/0088559 A1 4/2012 McSweyn et al.  
 2012/0199501 A1 8/2012 Le Gette et al.  
 2013/0005401 A1 \* 1/2013 Rosenhan ..... G06F 1/1626  
 455/557  
 2013/0079066 A1 3/2013 Chan

2013/0201653 A1 8/2013 Shoemake et al.  
 2013/0206614 A1 8/2013 O'Neill et al.  
 2014/0055978 A1 2/2014 Gantz et al.  
 2014/0103789 A1 \* 4/2014 Cox, III ..... H05K 5/02  
 312/280  
 2014/0124521 A1 \* 5/2014 Brown ..... H05K 5/023  
 220/756  
 2014/0146193 A1 \* 5/2014 Yang ..... H04N 5/23203  
 348/211.4  
 2014/0262854 A1 9/2014 Chen et al.  
 2014/0332418 A1 11/2014 Cheung et al.  
 2014/0347814 A1 11/2014 Zaloom  
 2015/0072744 A1 3/2015 Huang  
 2015/0201113 A1 7/2015 Wood  
 2015/0365121 A1 \* 12/2015 Smith ..... H04B 1/3877  
 455/575.8  
 2016/0044227 A1 \* 2/2016 Johnson ..... G03B 17/561  
 348/211.2  
 2016/0070156 A1 \* 3/2016 Alster ..... G03B 17/563  
 396/424  
 2016/0219202 A1 7/2016 Barros et al.  
 2017/0146890 A1 5/2017 Shoemake et al.  
 2017/0220068 A1 \* 8/2017 Youlios ..... G06F 1/1628  
 2017/0272112 A1 \* 9/2017 DiLaura ..... H04W 4/80  
 2017/0366652 A1 \* 12/2017 Boerckel ..... H04M 1/72527

OTHER PUBLICATIONS

Ty Lite;'s Phone Case, downloaded from web page: <https://ty-lite.com>, Download date: Jul. 14, 2016, original posting unknown, 2 pages.  
 Cooper Trooper Rugged Case for Chuwi Hi10—Tablet 2 Cases, Jan. 2011, download from web page: <https://www.tablet2cases.com/collections/rugged-tough>, Download date: Jul. 13, 2017, original posting date: unknown, 3 pages.  
 U.S. Appl. No. 16/520,947.

\* cited by examiner

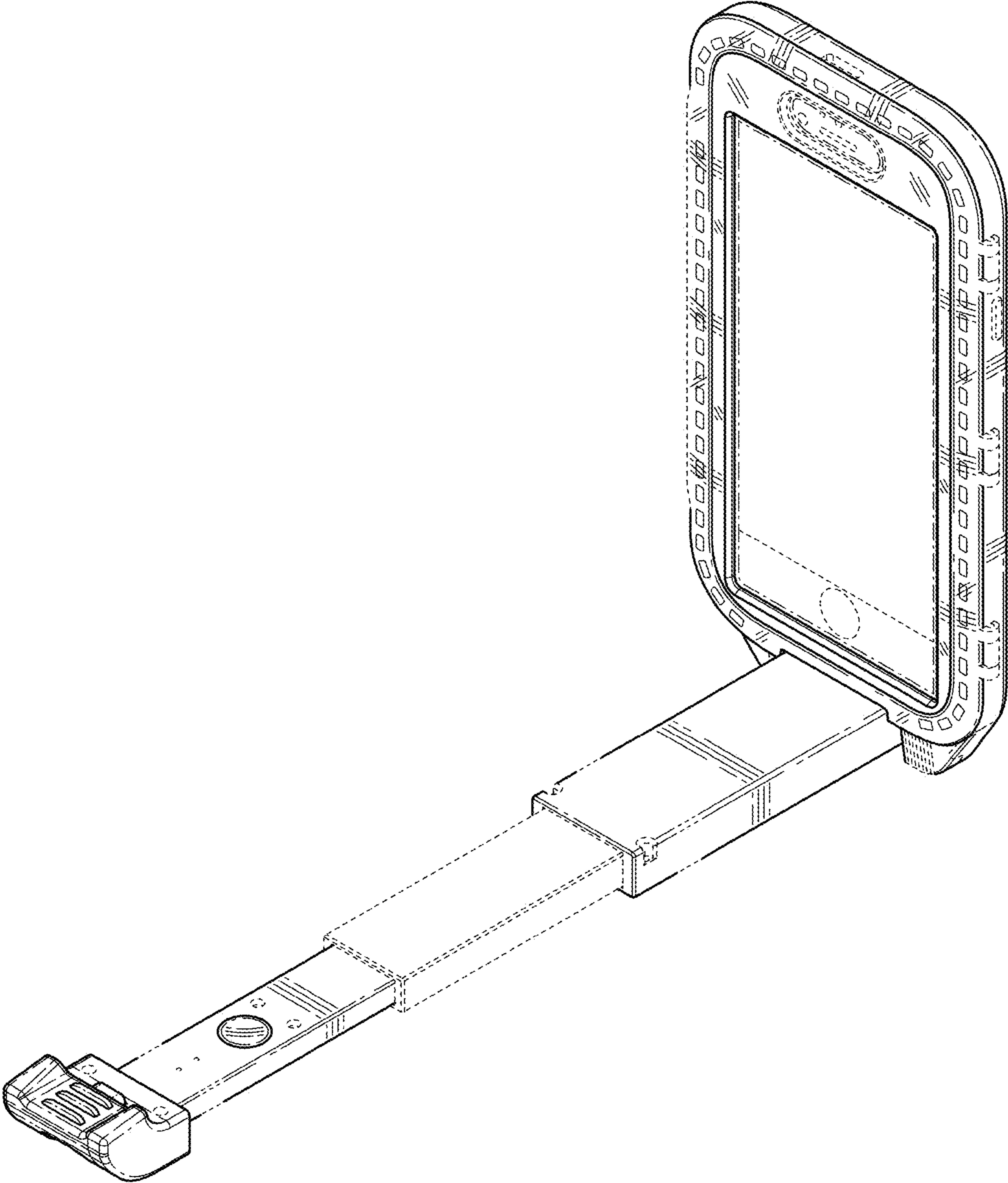
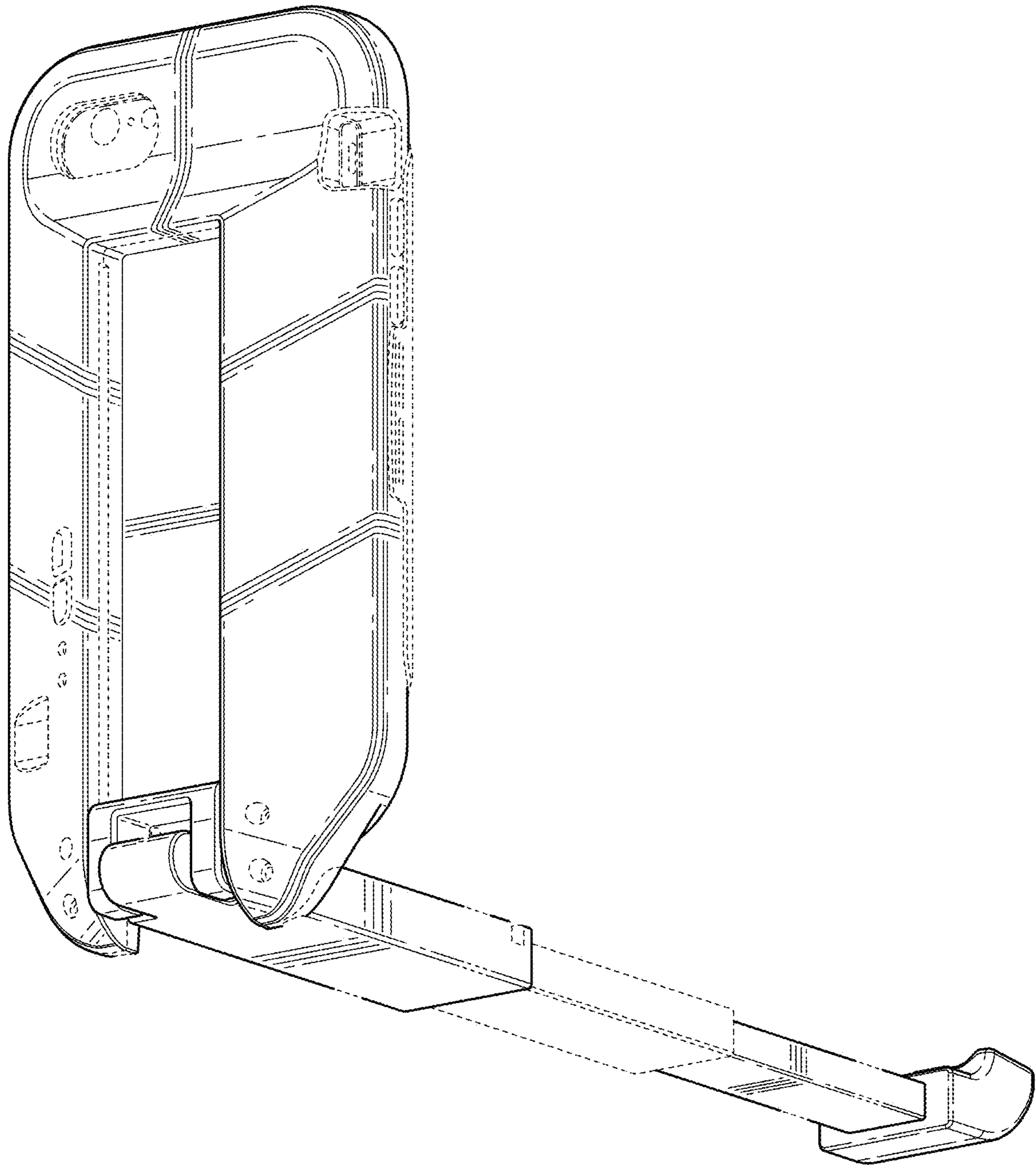


FIG. 1



**FIG. 2**

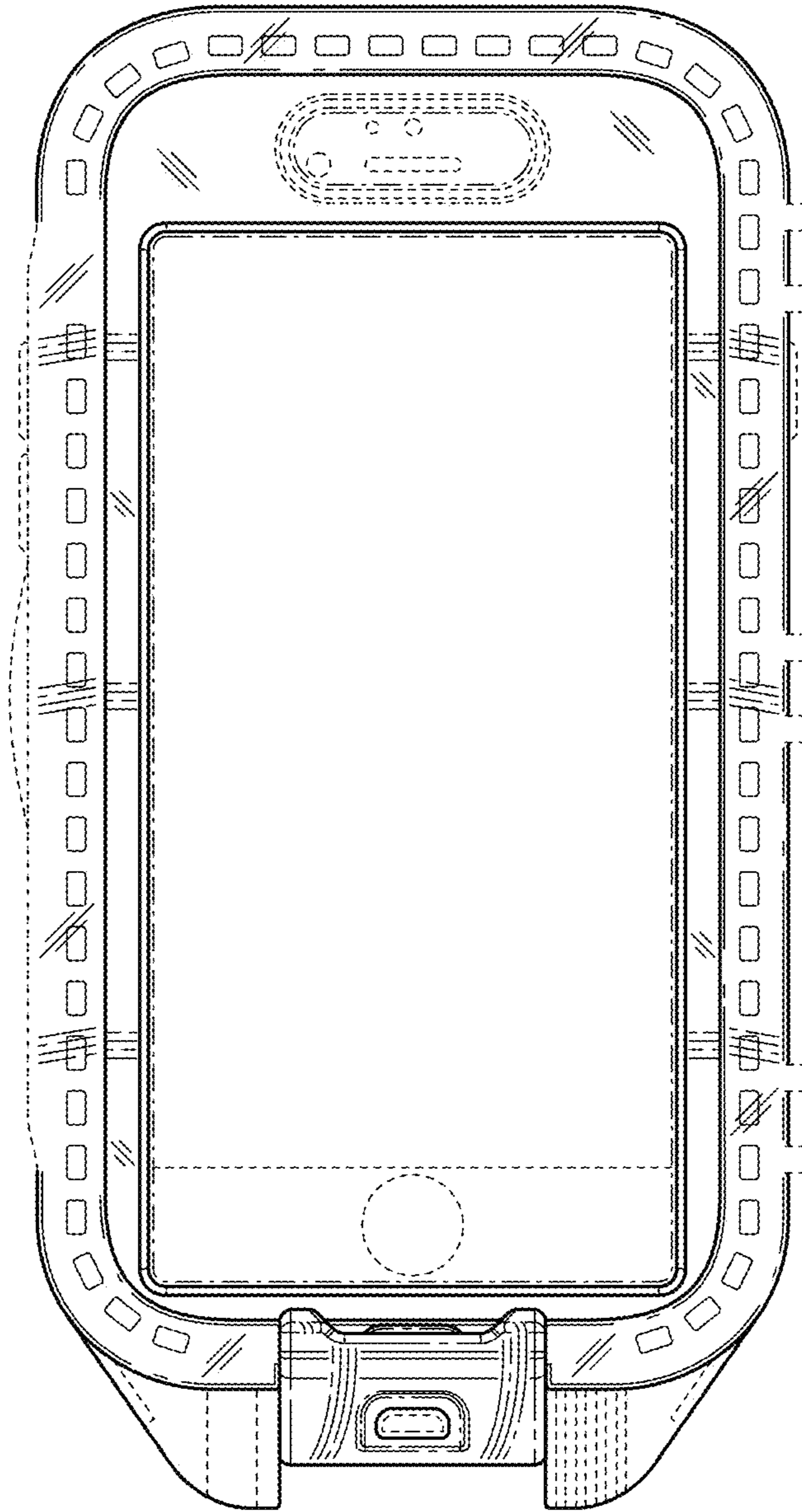
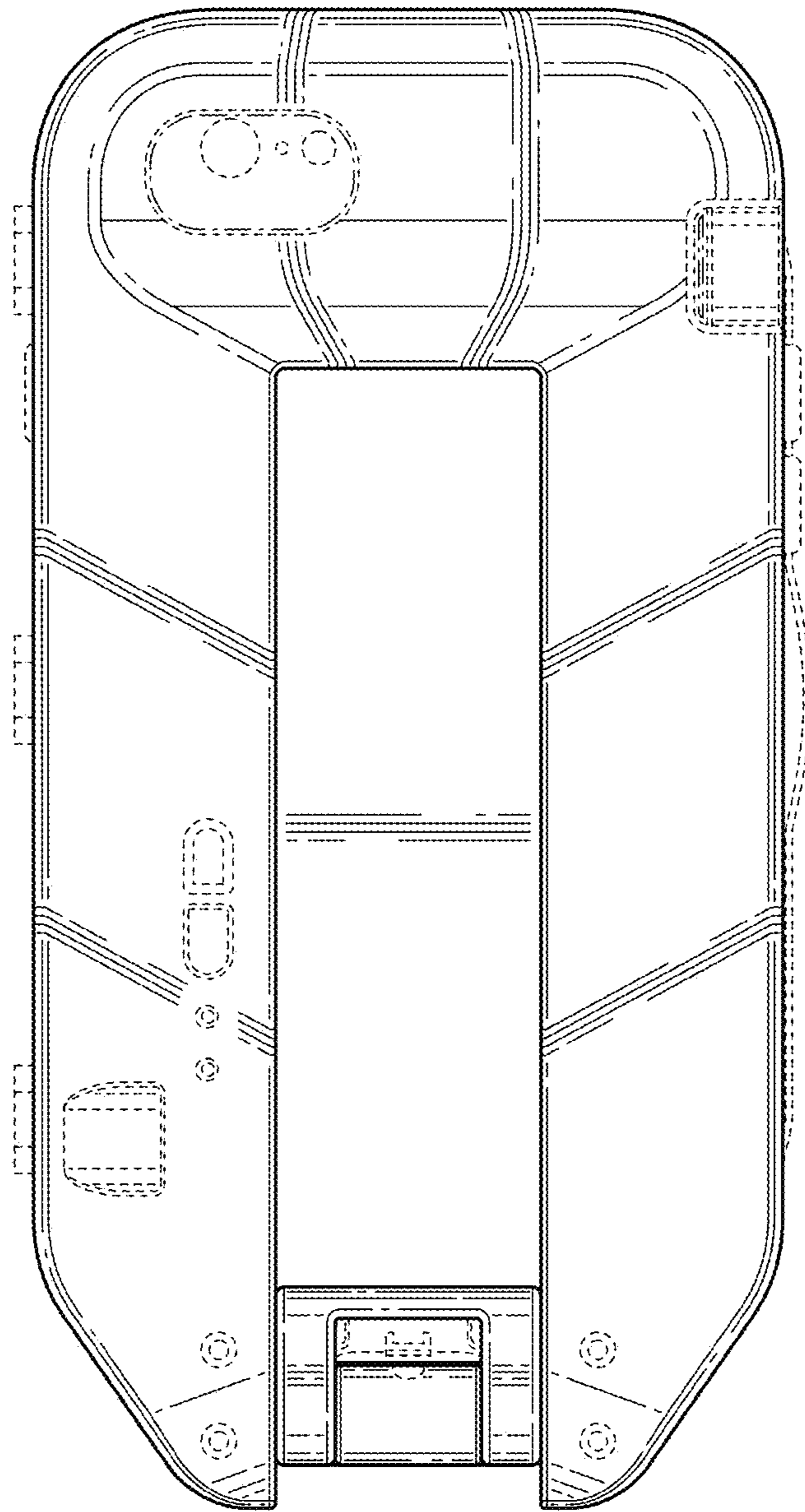


FIG. 3



**FIG. 4**

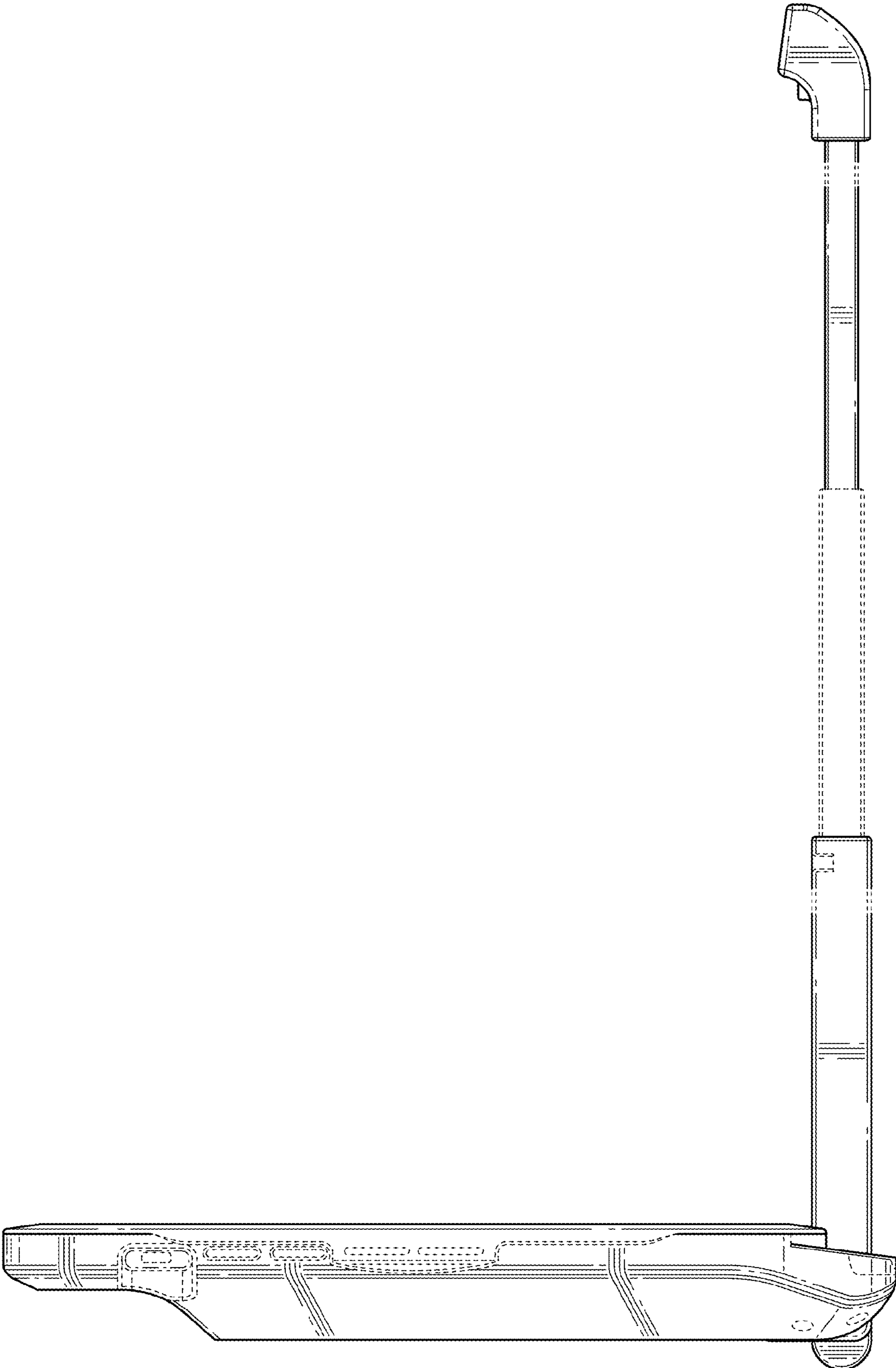


FIG. 5

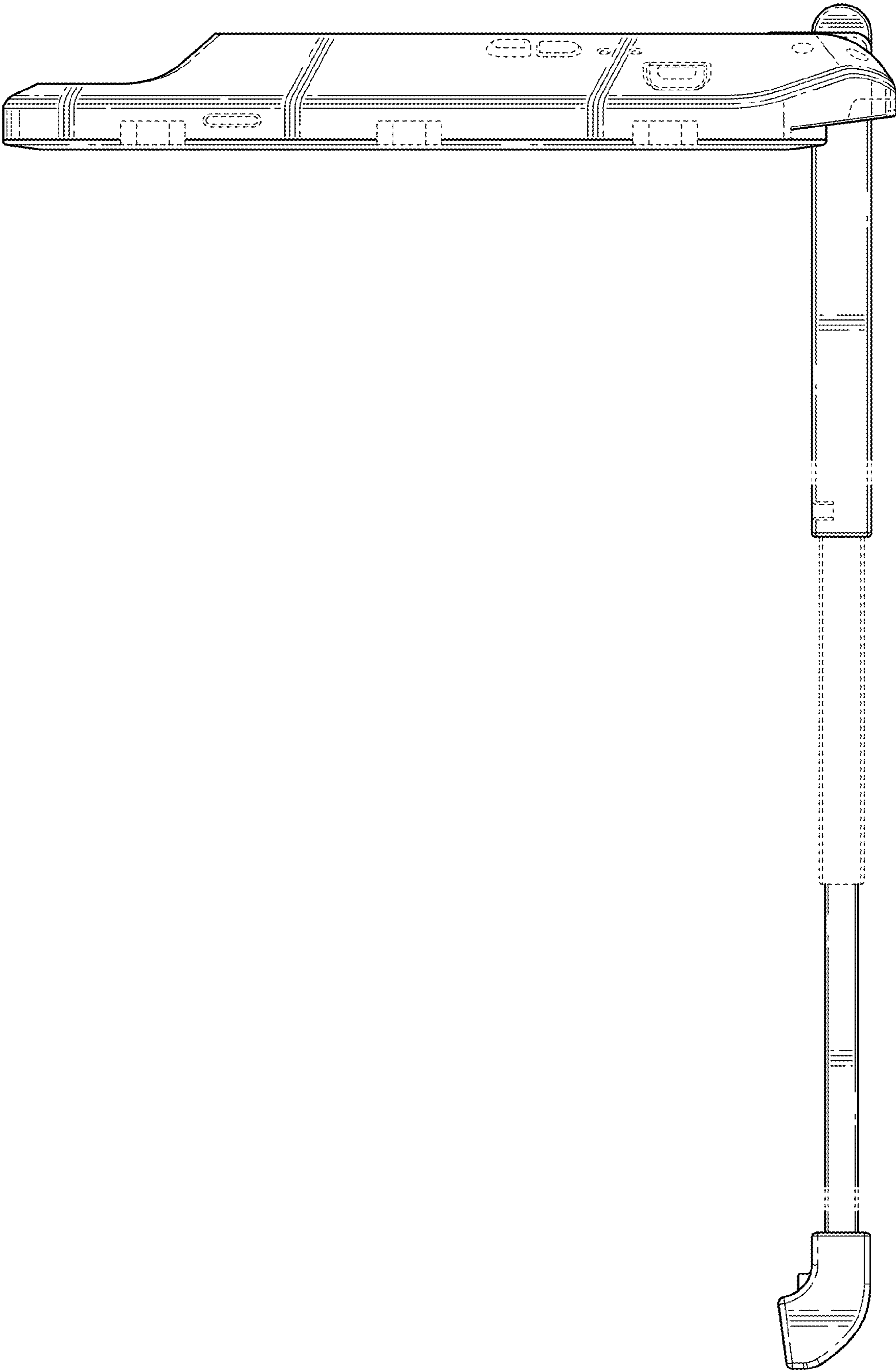
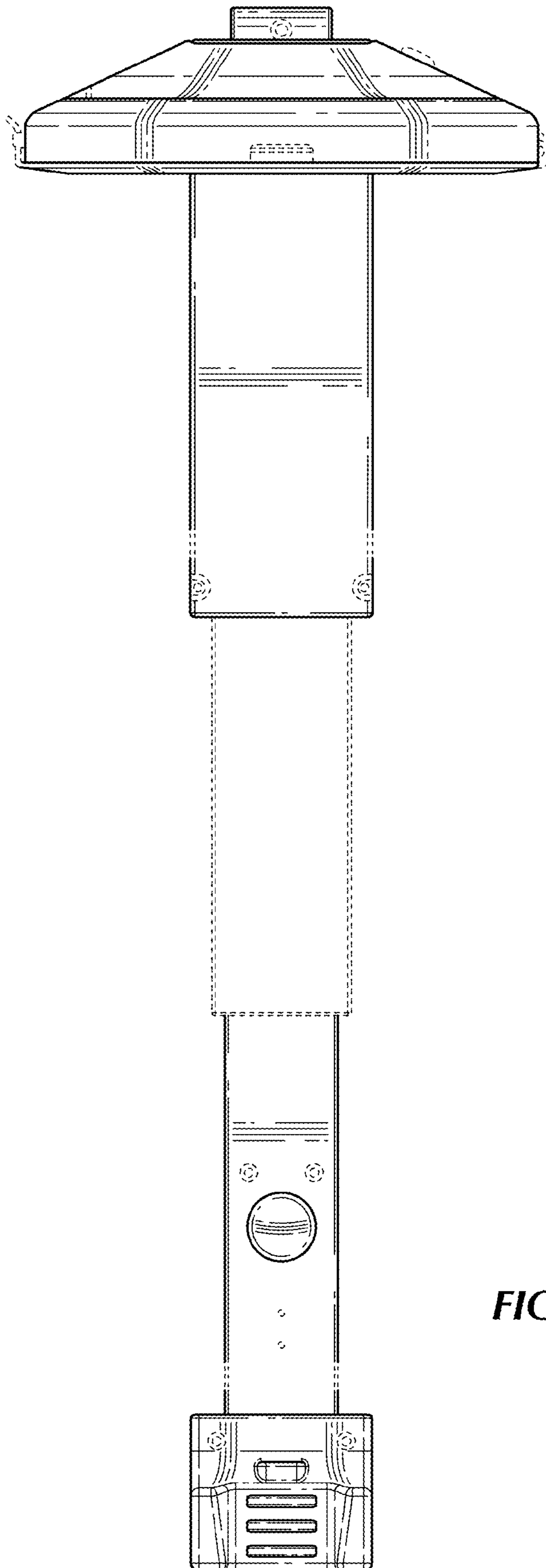
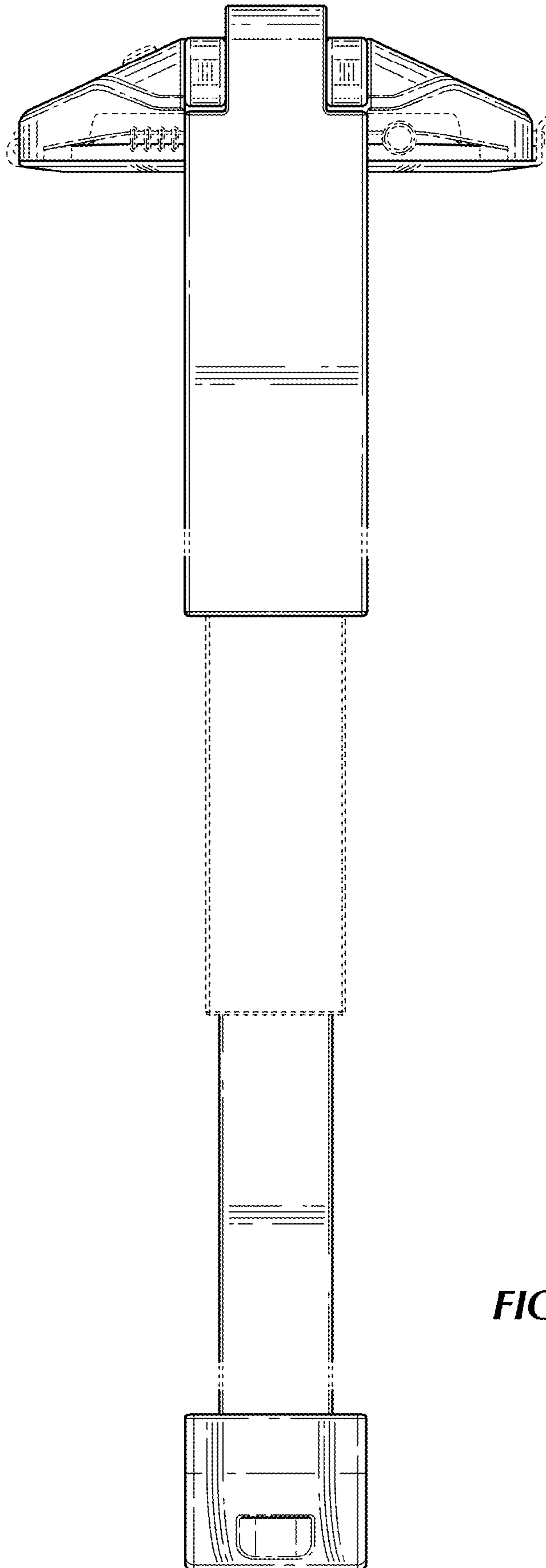


FIG. 6





**FIG. 7**



**FIG. 8**

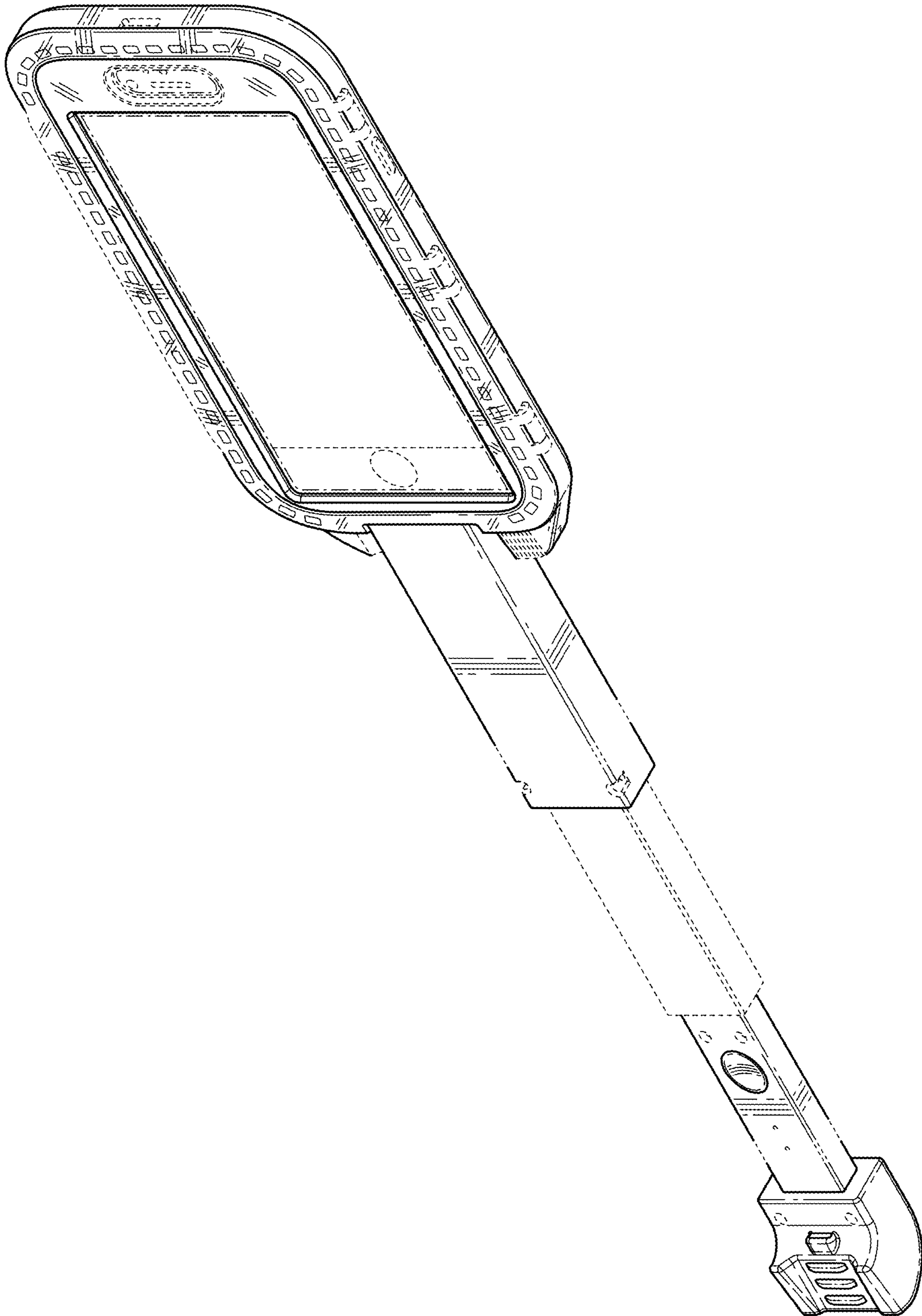
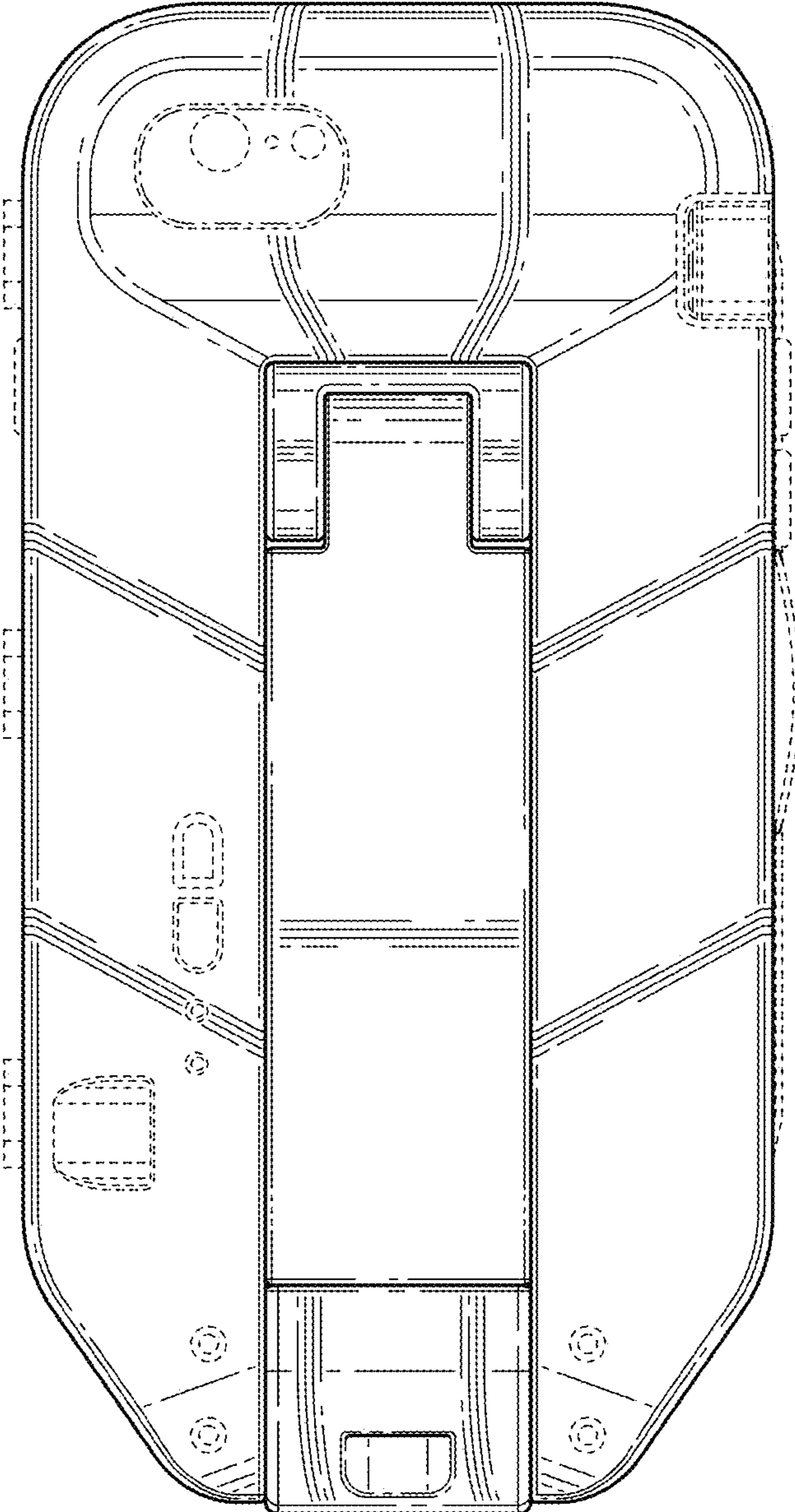


FIG. 9



**FIG. 10**