



US00D885372S

(12) **United States Design Patent**  
**Wang**

(10) **Patent No.:** **US D885,372 S**

(45) **Date of Patent:** **\*\* May 26, 2020**

- (54) **PAIR OF WIRELESS HEADSETS**
- (71) Applicant: **Shenzhen Shengxingwang Precision Technology Co., Ltd.**, Shenzhen, Guangdong Province (CN)
- (72) Inventor: **Baoqing Wang**, Shenzhen (CN)
- (\*\*) Term: **15 Years**
- (21) Appl. No.: **29/667,639**
- (22) Filed: **Oct. 23, 2018**
- (51) **LOC (12) Cl.** ..... **14-01**
- (52) **U.S. Cl.**  
USPC ..... **D14/223**
- (58) **Field of Classification Search**  
USPC ..... D14/223, 205; D24/174; 128/865, 866, 128/867; 181/129, 130, 135; 379/430, 379/431; 381/380, 381, 328, 323; 455/90.3, 575.1, 569.1  
CPC ..... H04R 1/10; H04R 25/00; H04R 1/1016; H04R 1/1066; H04R 5/033; H04R 5/0335  
See application file for complete search history.

(56) **References Cited**

**U.S. PATENT DOCUMENTS**

- D321,881 S \* 11/1991 Hopewell ..... D14/192
- D348,067 S \* 6/1994 Lucey ..... D14/223
- D464,638 S \* 10/2002 Huang ..... D14/205
- D481,709 S \* 11/2003 Solderits ..... D14/223
- D487,455 S \* 3/2004 Asahina ..... D14/216
- D505,411 S \* 5/2005 Sakai ..... D14/192
- D508,911 S \* 8/2005 Sanders ..... D14/223
- 7,003,127 B1 \* 2/2006 Sjursen ..... H04R 19/016  
381/322
- 7,010,137 B1 \* 3/2006 Leedom ..... A61B 5/6817  
381/328
- D519,108 S \* 4/2006 Yang ..... D14/223
- 7,092,543 B1 \* 8/2006 Mahoney ..... H04R 25/65  
381/322

- 7,113,611 B2 \* 9/2006 Leedom ..... H04R 25/65  
381/322
- D537,438 S \* 2/2007 Hermansen ..... D14/223
- D549,222 S \* 8/2007 Huang ..... A61F 11/08  
D14/223
- D562,808 S \* 2/2008 Gwee ..... D14/223
- D579,006 S \* 10/2008 Kim ..... D14/223
- D632,677 S \* 2/2011 Brown ..... D14/223
- D660,292 S \* 5/2012 Rautiainen ..... D14/223
- D674,490 S \* 1/2013 Bailey ..... D24/174
- D685,770 S \* 7/2013 Lee ..... D14/223
- D719,139 S \* 12/2014 Henry ..... D14/223
- D721,354 S \* 1/2015 Thompson ..... D14/223
- D733,103 S \* 6/2015 Jeong ..... D14/224
- D735,169 S \* 7/2015 Shieh ..... D14/223
- D742,861 S \* 11/2015 Miyake ..... D14/223

(Continued)

**FOREIGN PATENT DOCUMENTS**

- EM 005797362-0001 \* 10/2018
- EM 006810230-0001 \* 9/2019
- JP D1628549 \* 3/2019

*Primary Examiner* — Paula Allen Greene

(74) *Attorney, Agent, or Firm* — HYIP

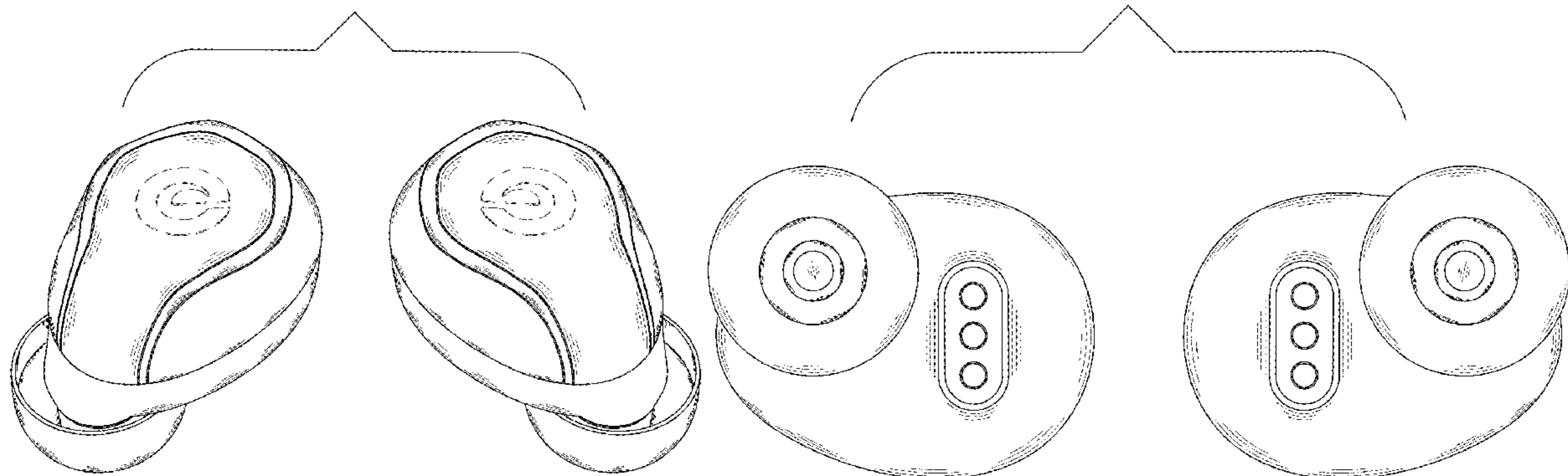
(57) **CLAIM**

The ornamental design for a pair of wireless headsets, as shown and described.

**DESCRIPTION**

FIG. 1 is a perspective view of a pair of wireless headsets showing my new design;  
 FIG. 2 is a front view thereof;  
 FIG. 3 is a rear view thereof;  
 FIG. 4 is a left side view thereof;  
 FIG. 5 is a right side view thereof;  
 FIG. 6 is a top view thereof; and,  
 FIG. 7 is a bottom view thereof.  
 The broken lines depict environment that forms no part of the claimed design.

**1 Claim, 7 Drawing Sheets**



(56)

**References Cited**

U.S. PATENT DOCUMENTS

D764,445	S *	8/2016	Czaniecki .....	D14/223
D777,710	S *	1/2017	Palmborg .....	D14/223
D781,269	S *	3/2017	Choe .....	D14/223
D800,097	S *	10/2017	Chen .....	D14/223
D806,879	S *	1/2018	Horbinski .....	D24/174
D812,042	S *	3/2018	Xiao .....	D14/223
D813,848	S *	3/2018	Palmborg .....	D14/223
D817,309	S *	5/2018	Czaniecki .....	D14/223
D826,211	S *	8/2018	Kim .....	D14/206
D841,626	S *	2/2019	Tang .....	D14/223
D841,627	S *	2/2019	Wen .....	D14/223
D845,932	S *	4/2019	Lu .....	D14/223
D846,532	S *	4/2019	Xiao .....	D14/223
D852,782	S *	7/2019	Bergman .....	D14/223
D858,488	S *	9/2019	Zheng .....	D14/223
D862,424	S *	10/2019	You .....	D14/223
D863,263	S *	10/2019	Yu .....	D14/223
D864,167	S *	10/2019	Wu .....	D14/223
2011/0155147	A1 *	6/2011	McIntosh .....	A61F 11/08 128/864

\* cited by examiner

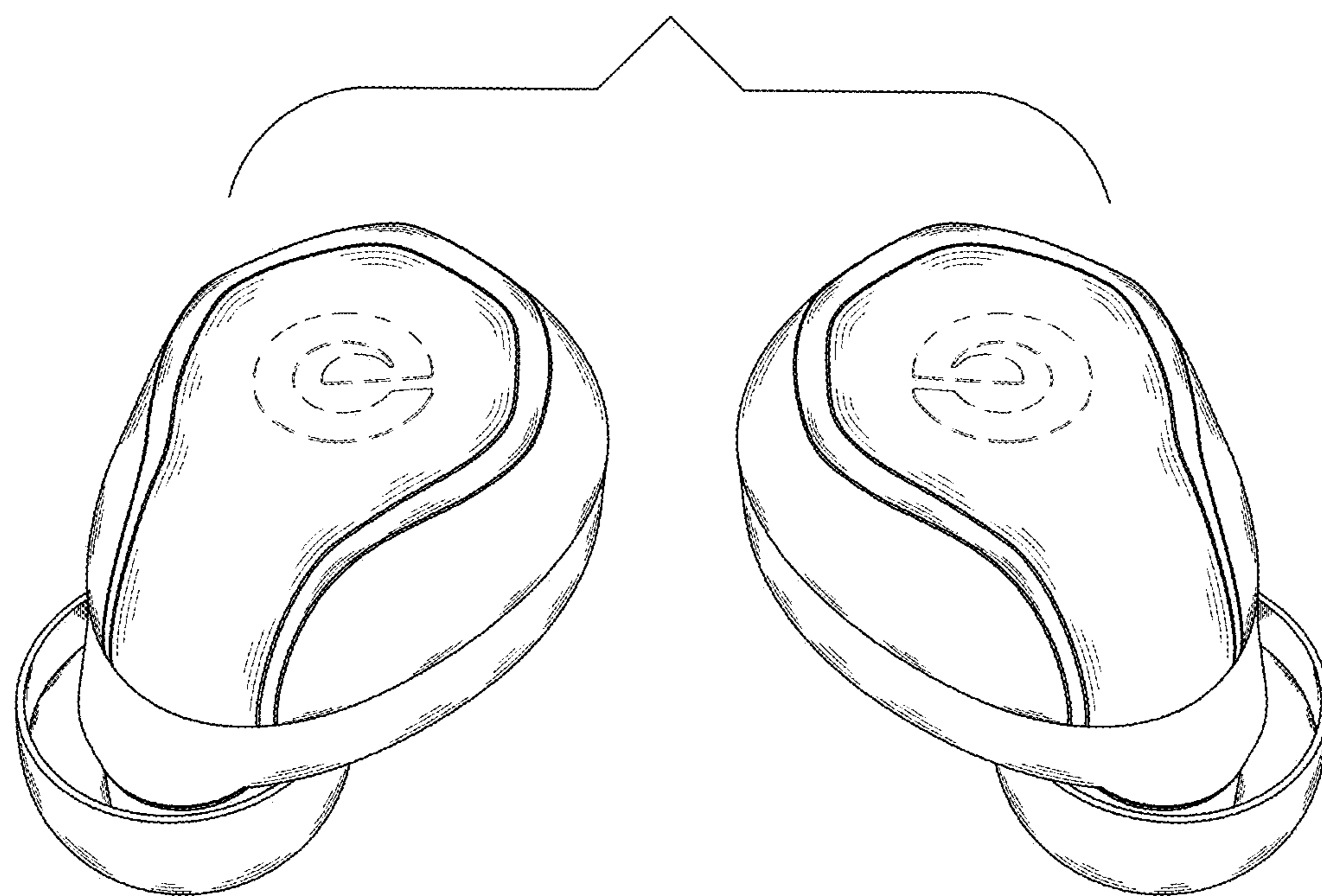


FIG. 1

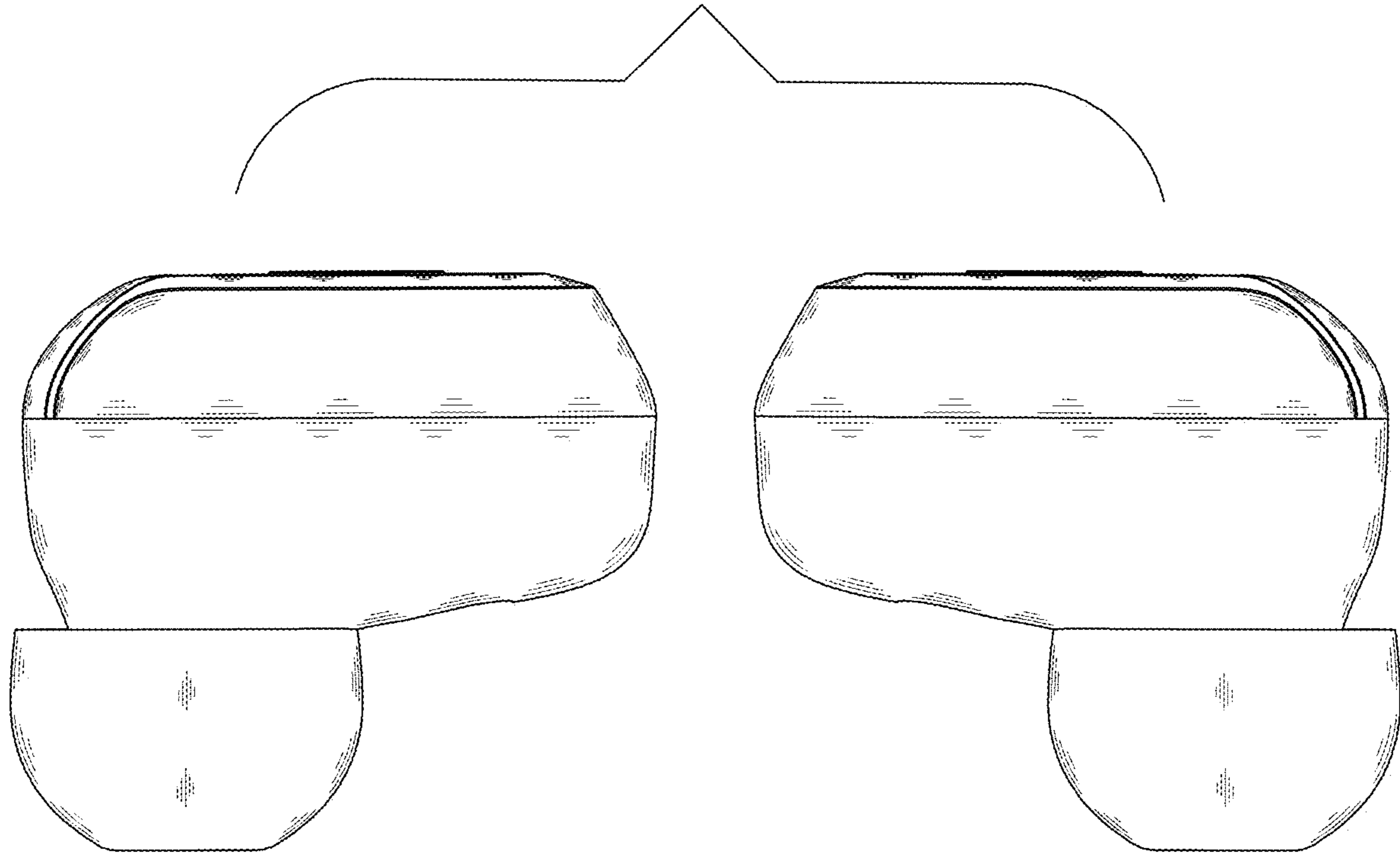


FIG. 2

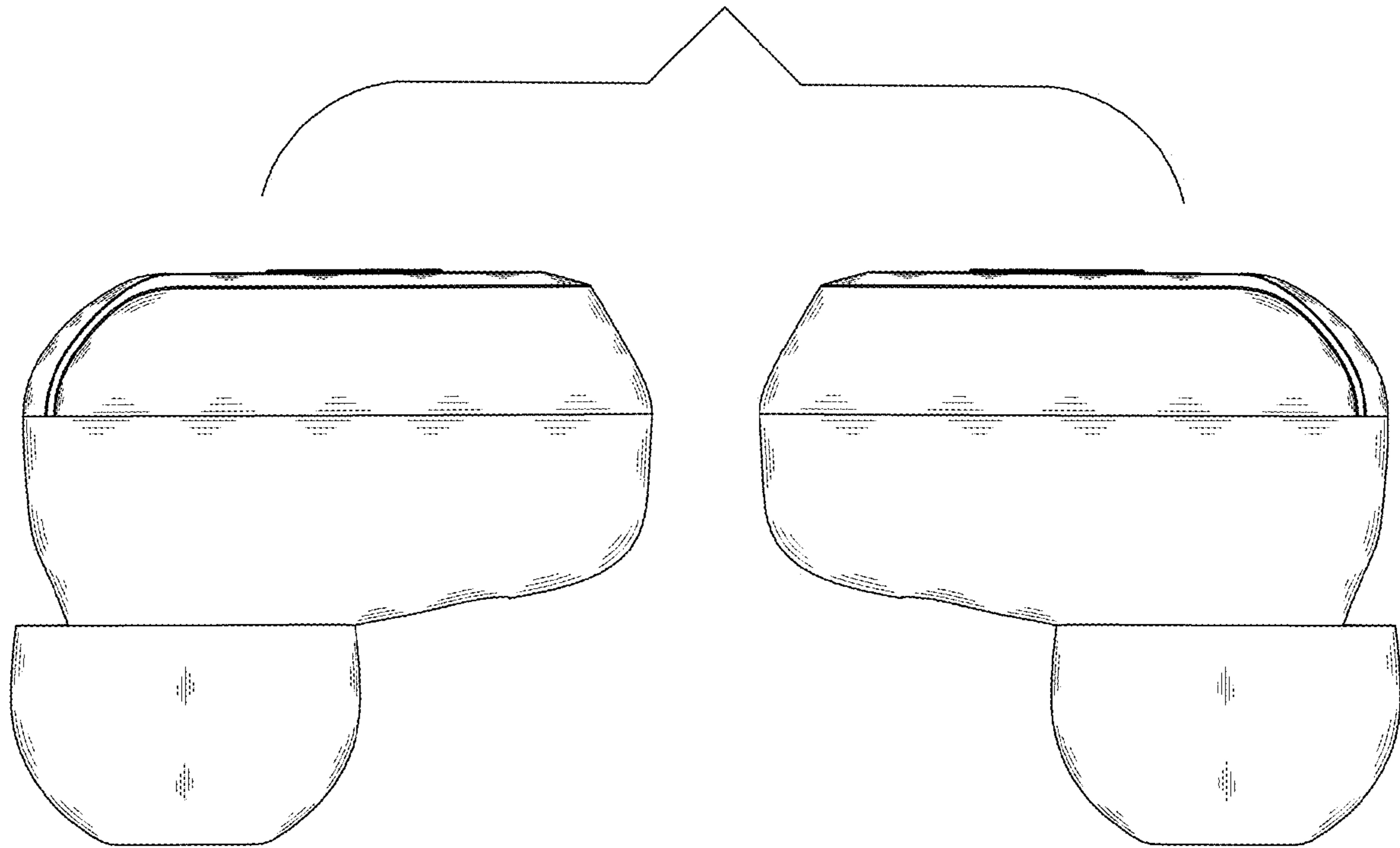


FIG. 3

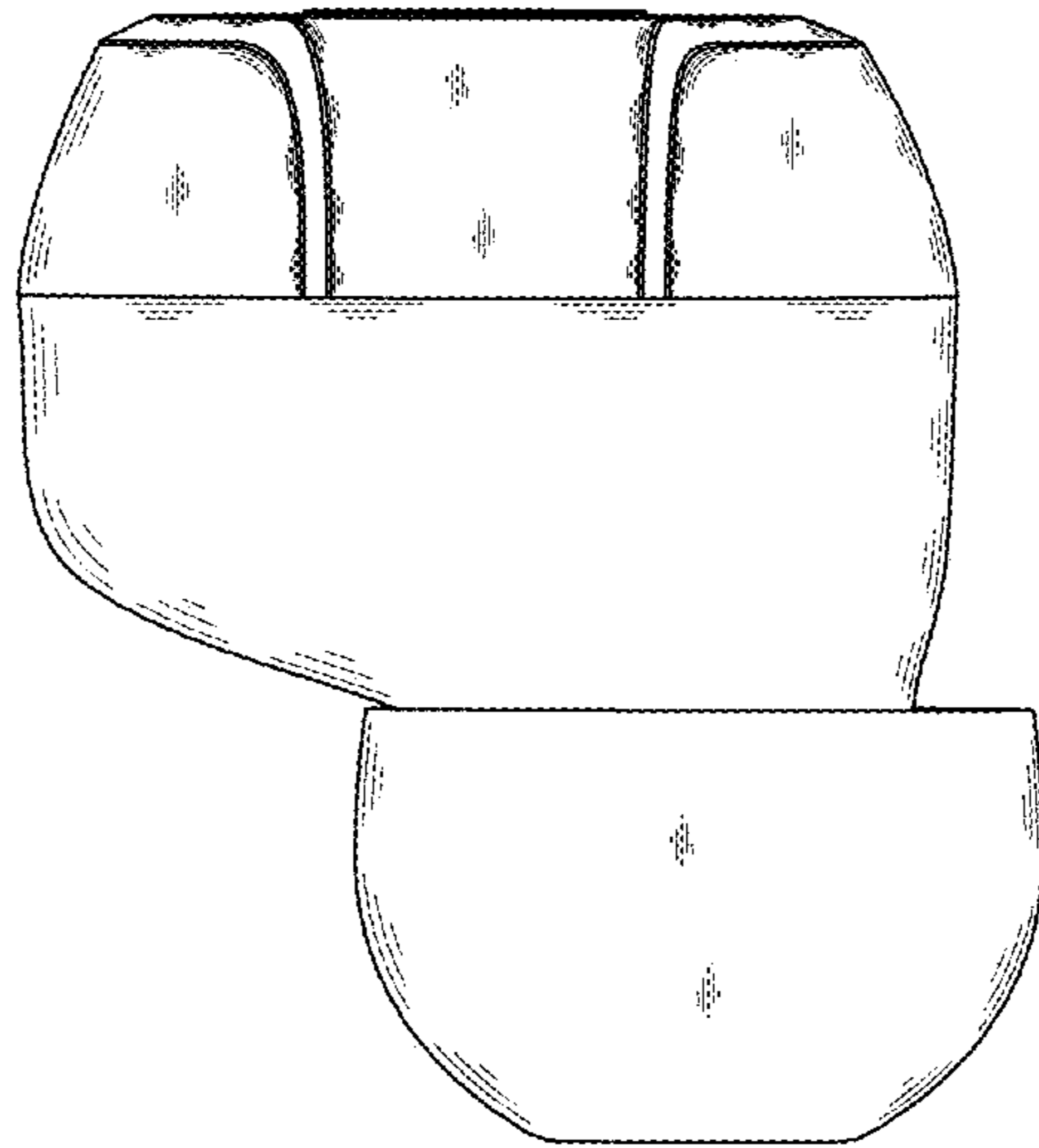


FIG. 4

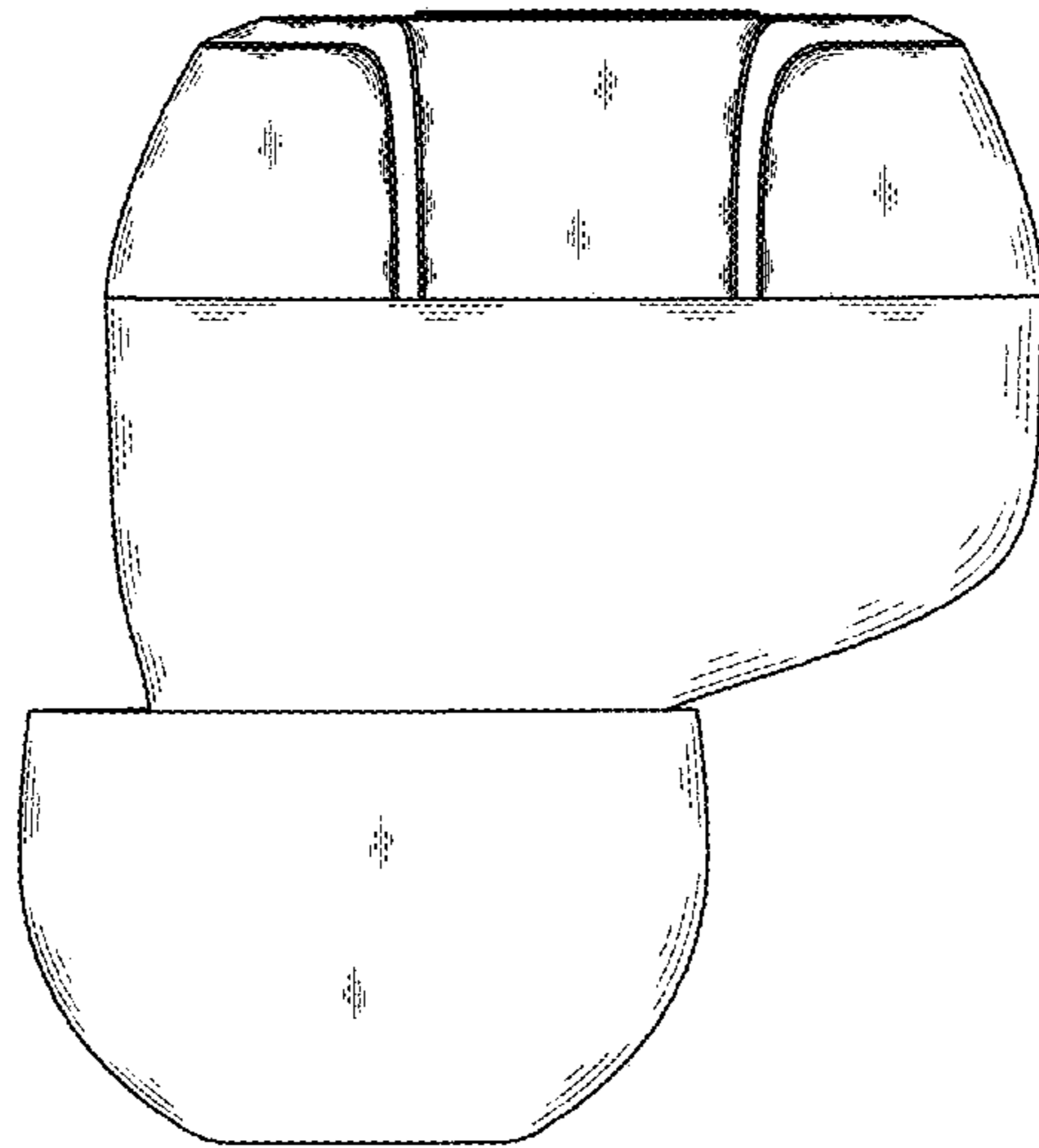


FIG. 5

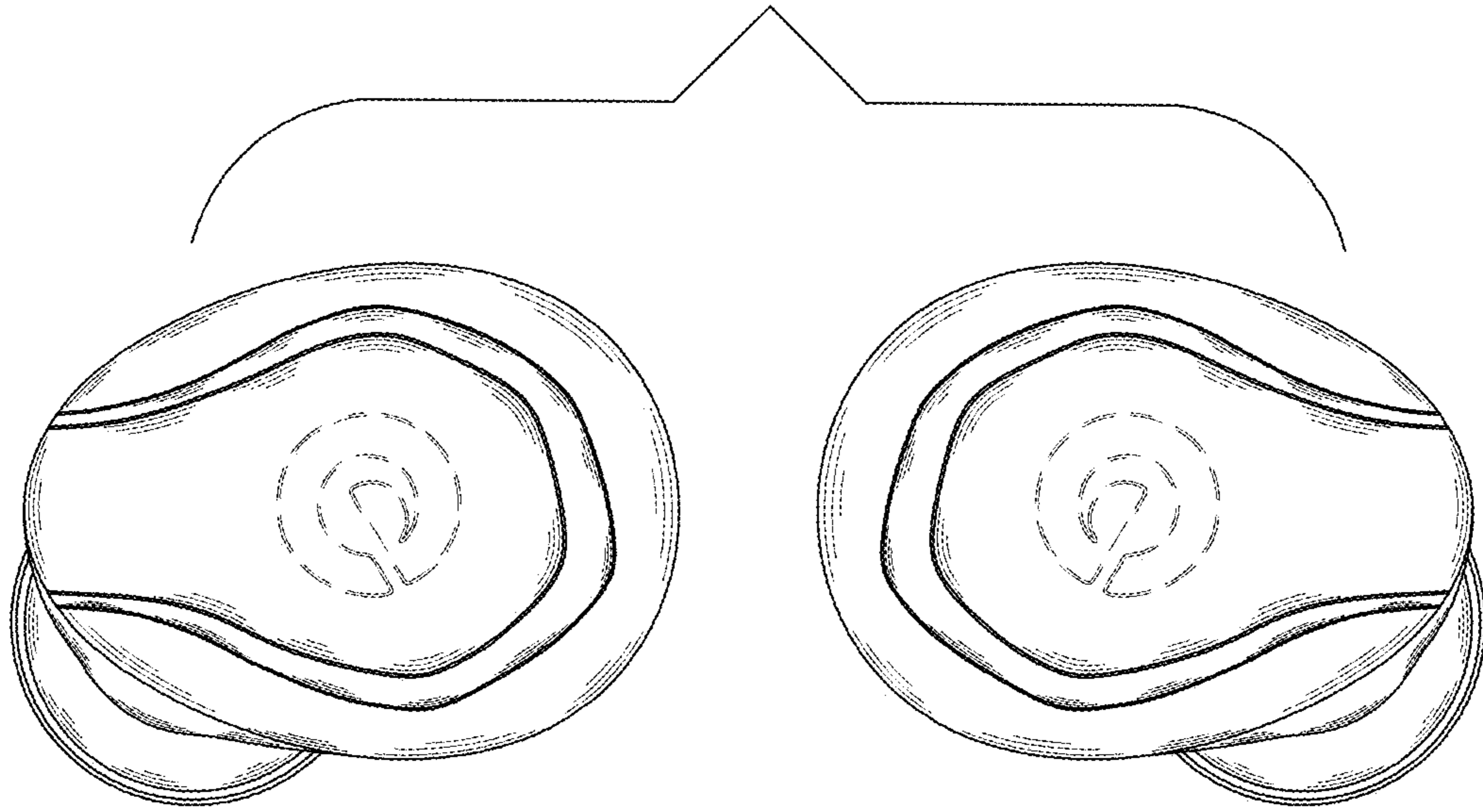


FIG. 6



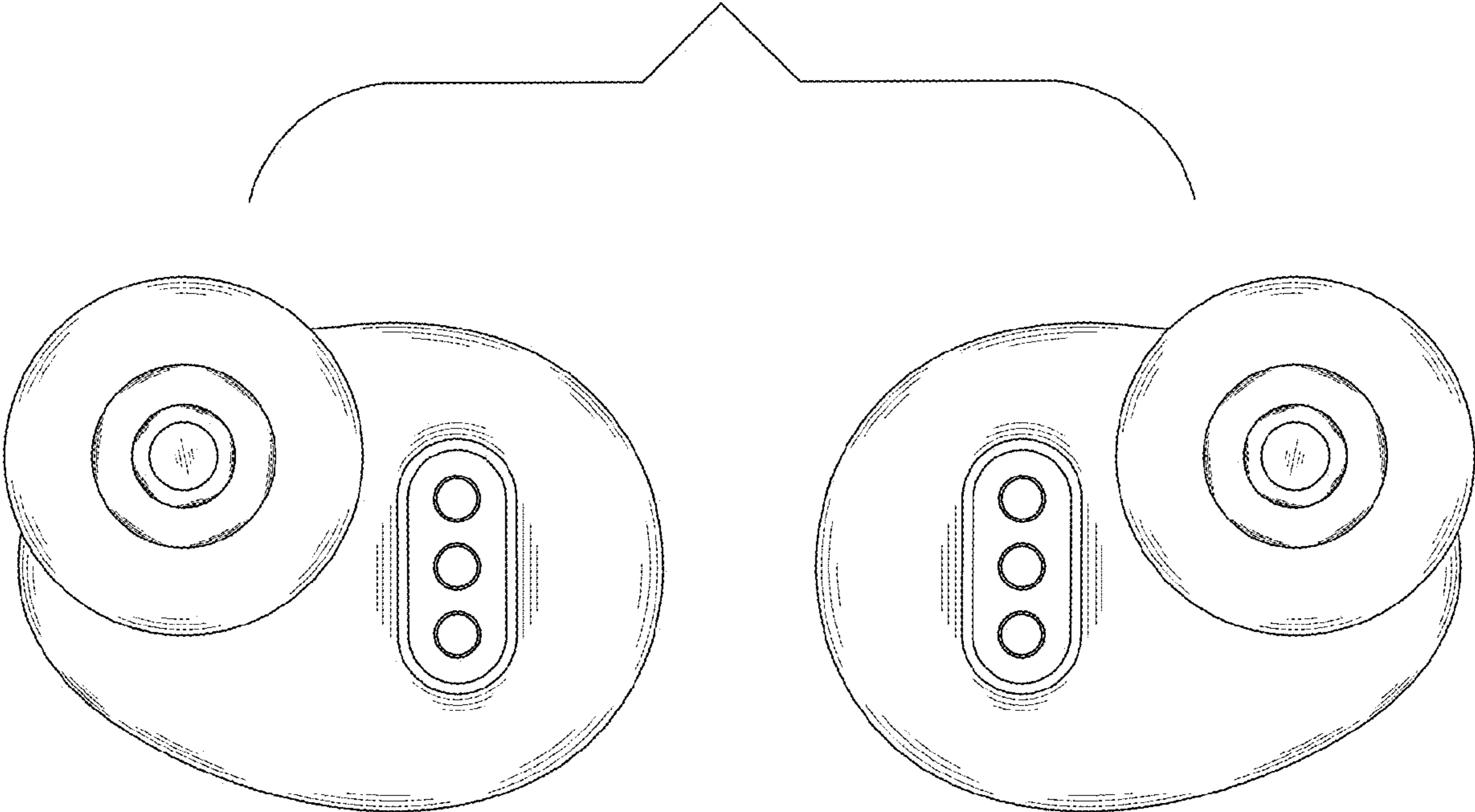


FIG. 7