



US00D885371S

(12) **United States Design Patent**  
**Lu**

(10) **Patent No.:** **US D885,371 S**  
(45) **Date of Patent:** **\*\* May 26, 2020**

(54) **EARPHONE**

(71) Applicant: **Dongguan Zhengsai Electronics Co., Ltd, Dongguan (CN)**

(72) Inventor: **Huiming Lu, Dongguan (CN)**

(73) Assignee: **Dongguan Zhengsai Electronics Co., Ltd. (CN)**

(\*\*) Term: **15 Years**

(21) Appl. No.: **29/644,933**

(22) Filed: **Apr. 21, 2018**

(51) **LOC (12) Cl.** ..... **14-01**

(52) **U.S. Cl.**  
USPC ..... **D14/223**

(58) **Field of Classification Search**  
USPC ... D14/205, 207, 217, 221, 223, 224, 224.1, D14/225, 204, 209, 209.1, 210, 211, 212, D14/213, 214, 215, 216, 222; D24/173, D24/174  
CPC ..... H04R 1/10; H04R 1/1016; H04R 1/1066; H04R 1/105; H04R 1/1033; H04R 1/08; H04R 1/02; H04R 1/021; H04R 1/023; H04R 5/033; H04R 5/0335; H04R 5/00; H04R 25/00

See application file for complete search history.

(56) **References Cited**

**U.S. PATENT DOCUMENTS**

D532,770 S \* 11/2006 Engstrom ..... D14/205  
D586,778 S \* 2/2009 Yang ..... D14/205  
D740,786 S \* 10/2015 Huang ..... D14/205  
D806,879 S \* 1/2018 Horbinski ..... D24/174

D808,934 S \* 1/2018 Tang ..... D14/223  
D833,420 S \* 11/2018 Lindenberger ..... D14/223  
D834,561 S \* 11/2018 Bristol ..... D14/223  
D836,089 S \* 12/2018 Loermann ..... D14/223  
D840,979 S \* 2/2019 Morris ..... D14/223  
D845,932 S \* 4/2019 Lu ..... D14/223  
D846,532 S \* 4/2019 Xiao ..... D14/223  
D847,126 S \* 4/2019 Loermann ..... D14/223  
D849,714 S \* 5/2019 Shin ..... D14/205  
D850,417 S \* 6/2019 Yang ..... D14/223  
2018/0176674 A1\* 6/2018 Tang ..... H04R 1/1075  
2019/0090043 A1\* 3/2019 Wen ..... H04R 1/1016

\* cited by examiner

*Primary Examiner* — Barbara Fox  
*Assistant Examiner* — Messina L Smith

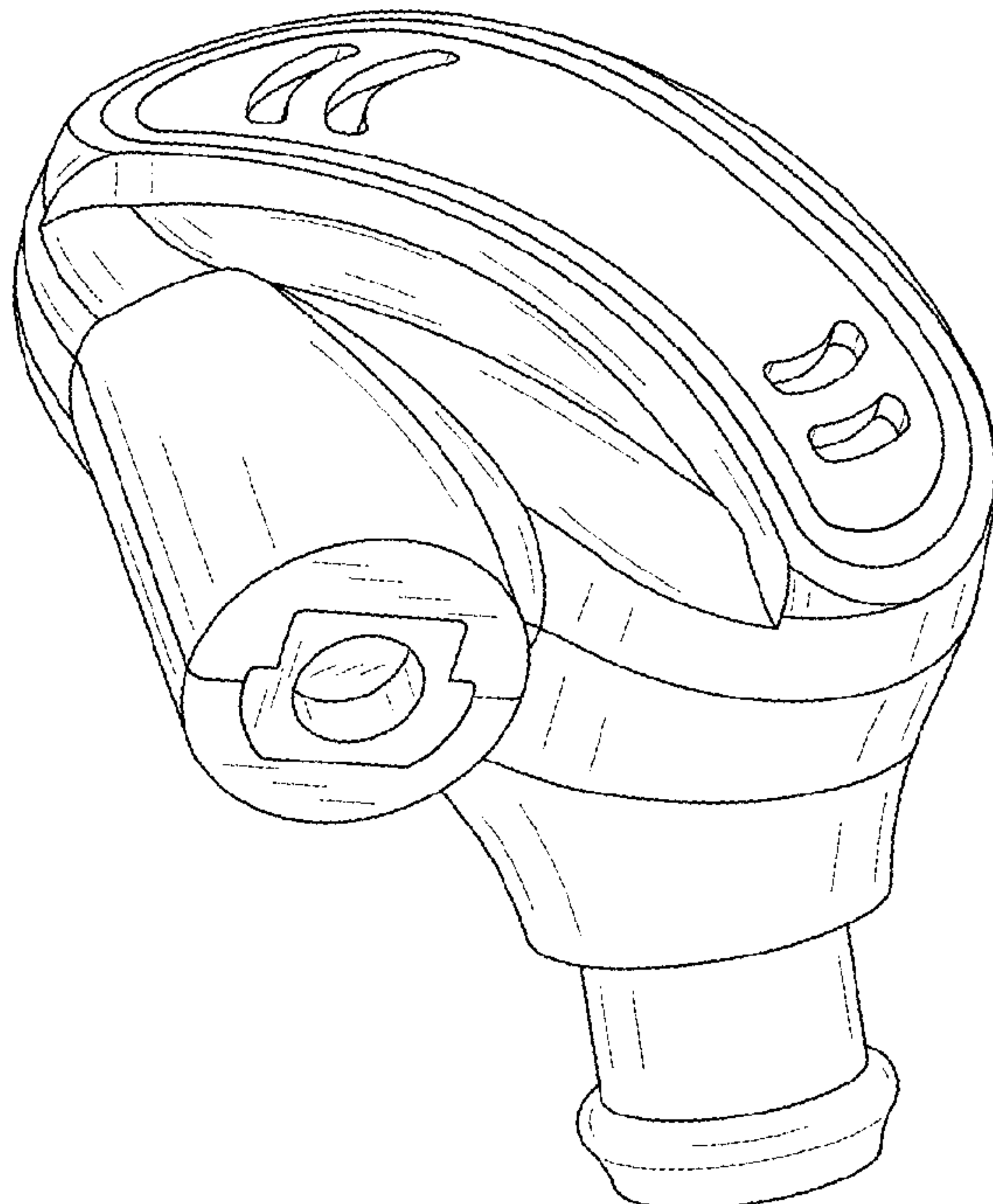
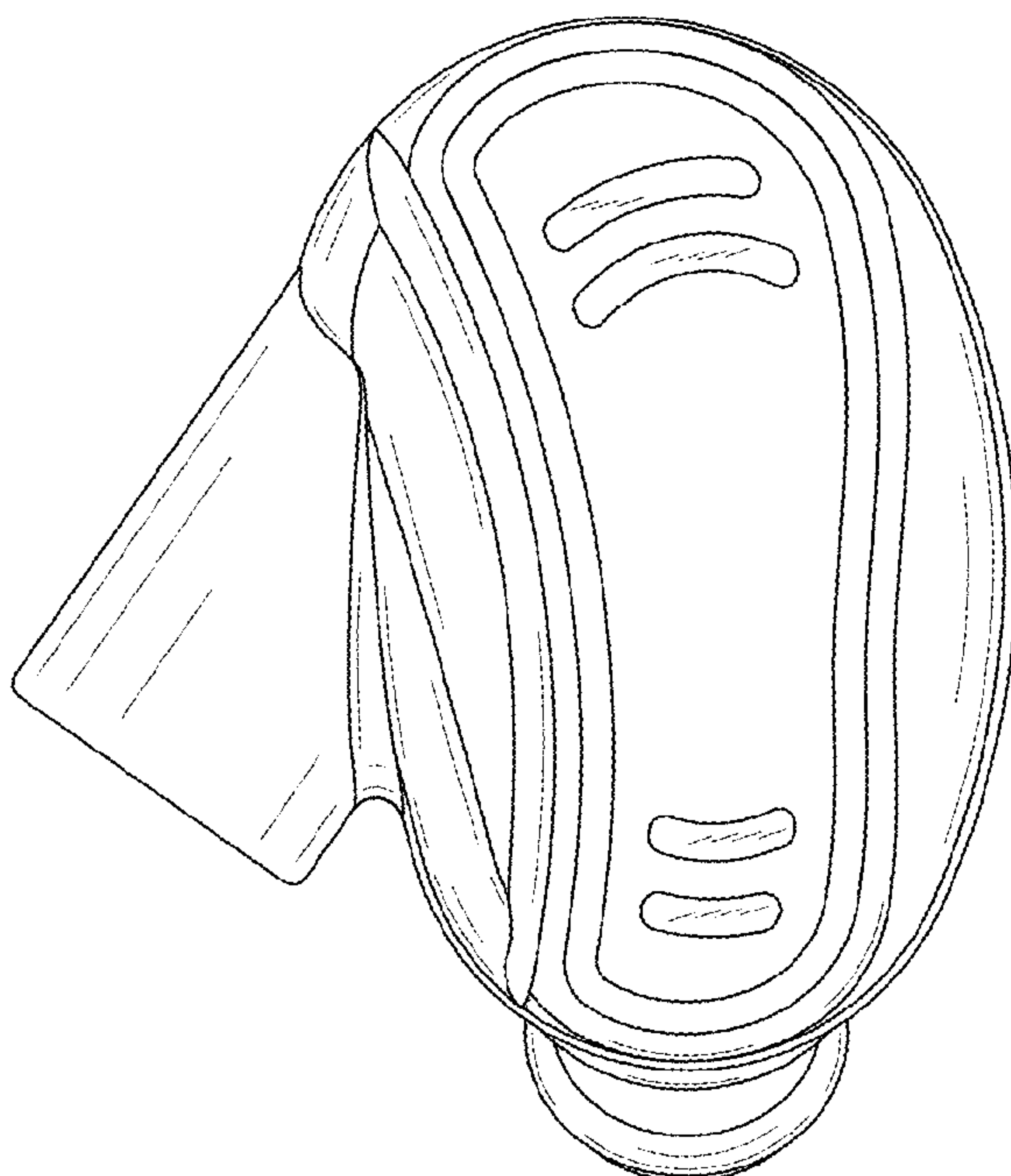
(57) **CLAIM**

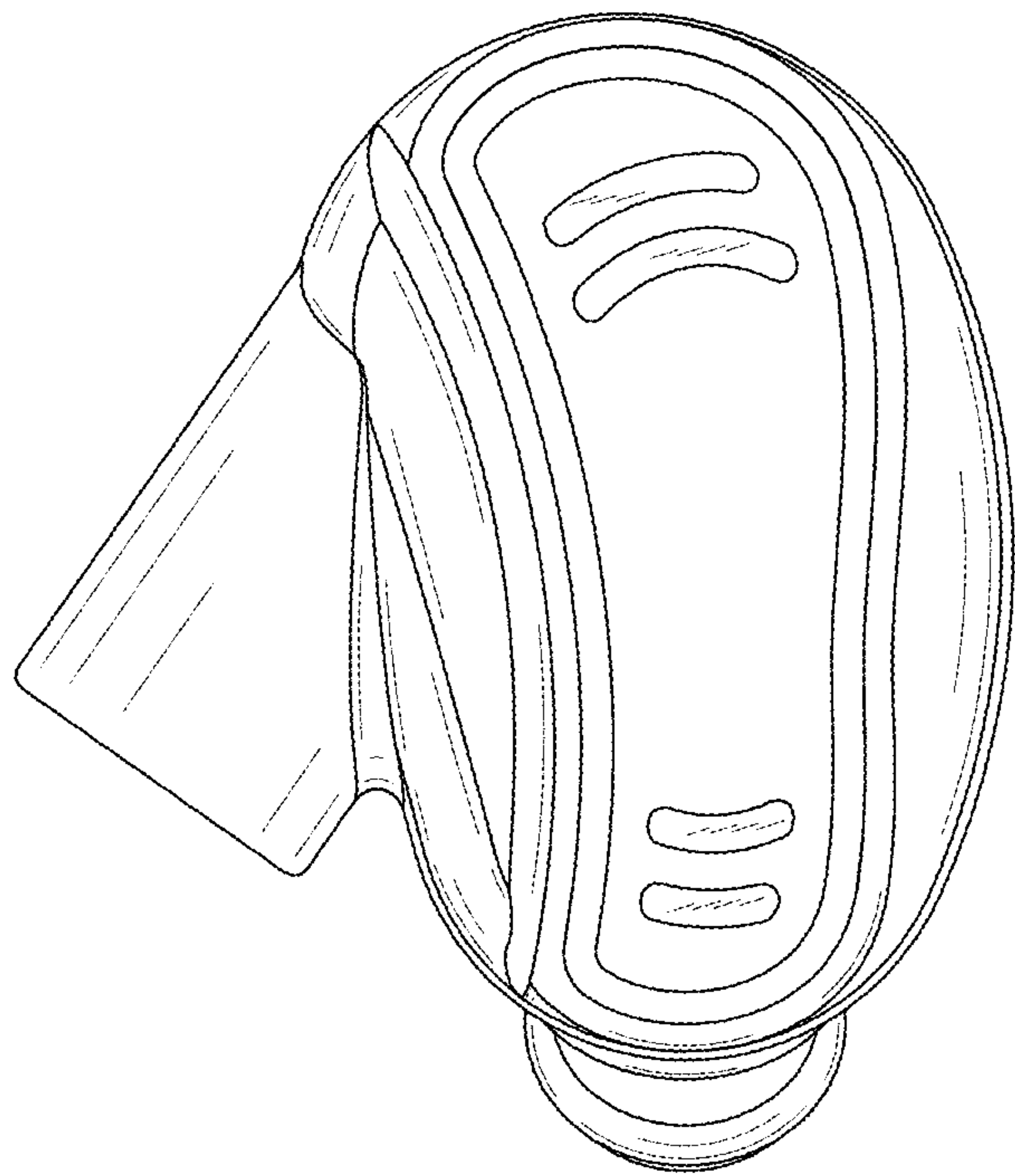
The ornamental design for an earphone, as shown and described.

**DESCRIPTION**

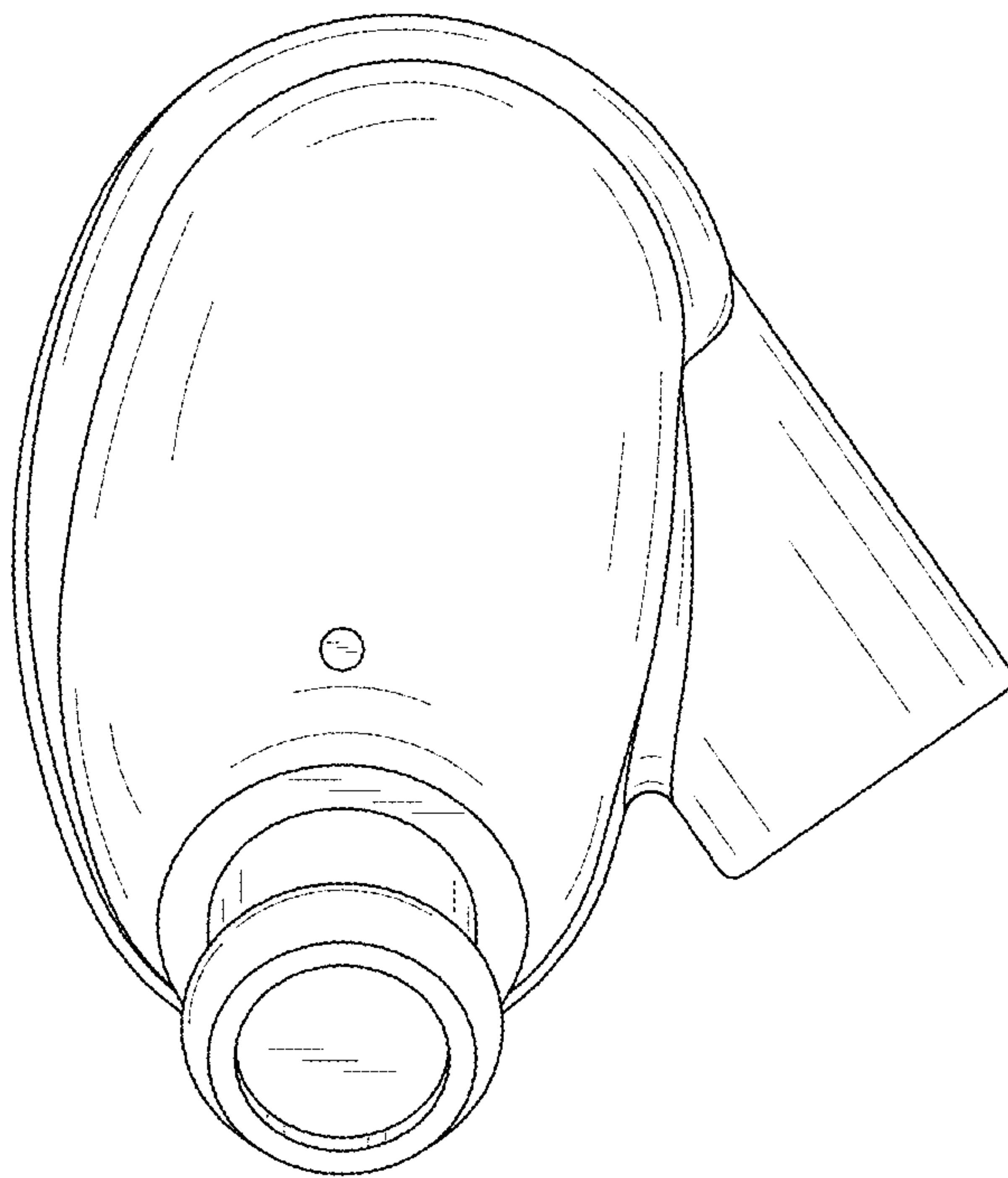
FIG. 1 is a front view of an earphone showing my new design;  
FIG. 2 is a back view thereof;  
FIG. 3 is a left side view thereof;  
FIG. 4 is a right side view thereof;  
FIG. 5 is a top view thereof;  
FIG. 6 is a bottom view thereof;  
FIG. 7 is a perspective view thereof;  
FIG. 8 is another perspective view thereof; and,  
FIG. 9 is another perspective view thereof.  
The broken line showing of a second earphone and a connecting wire in FIG. 9 is for the purpose of depicting environmental subject matter and forms no part of the claimed design.

**1 Claim, 5 Drawing Sheets**

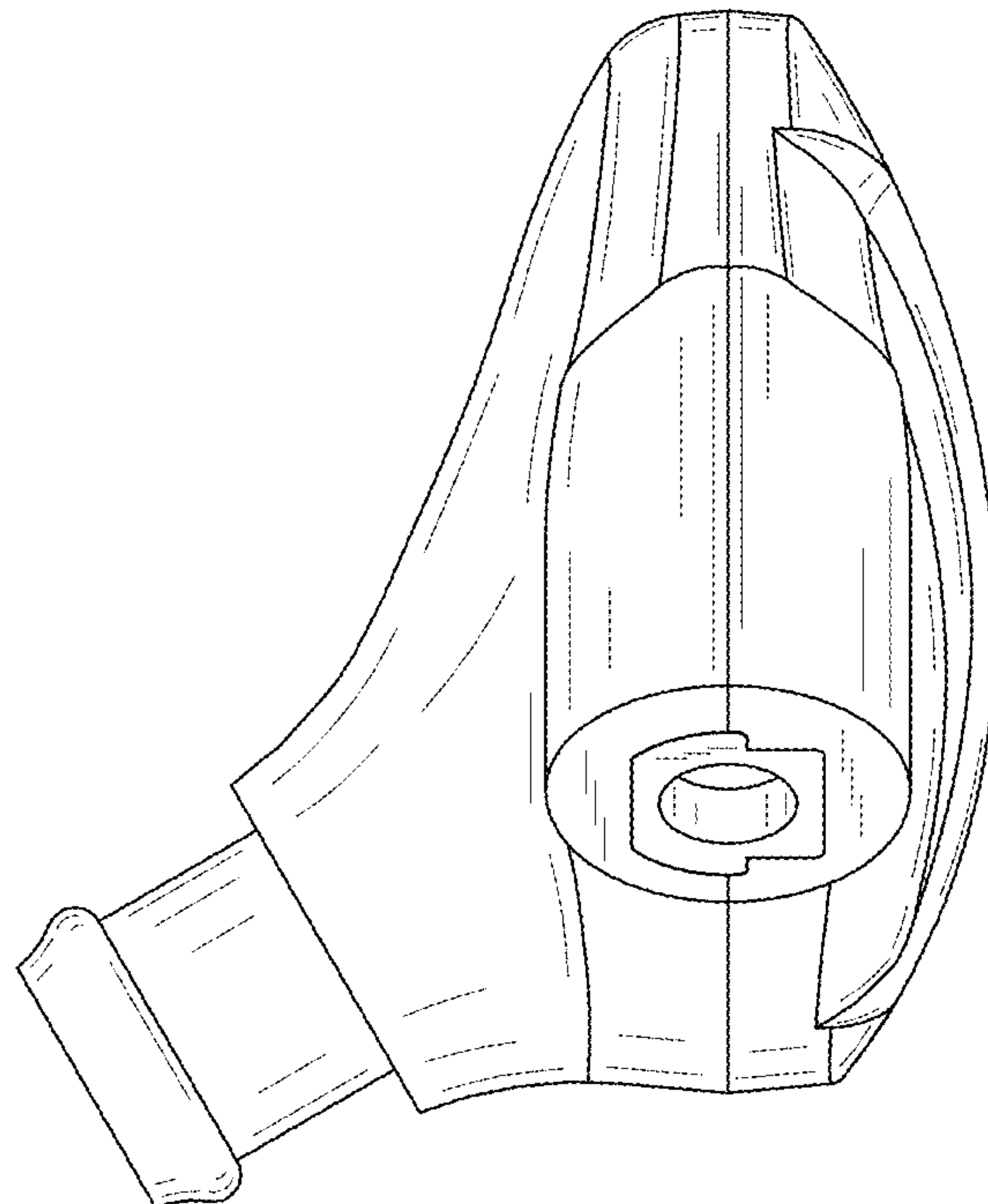




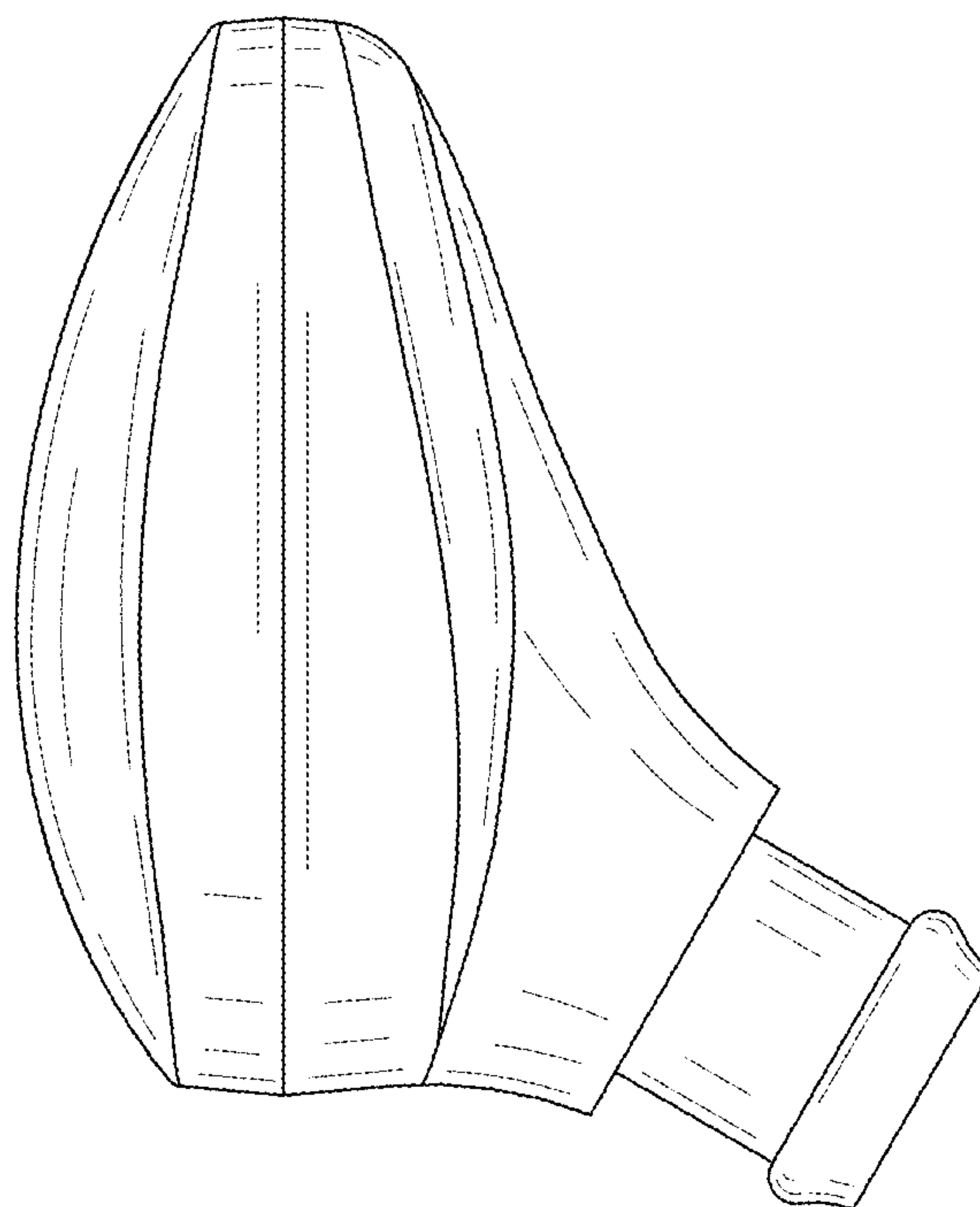
*Fig.1*



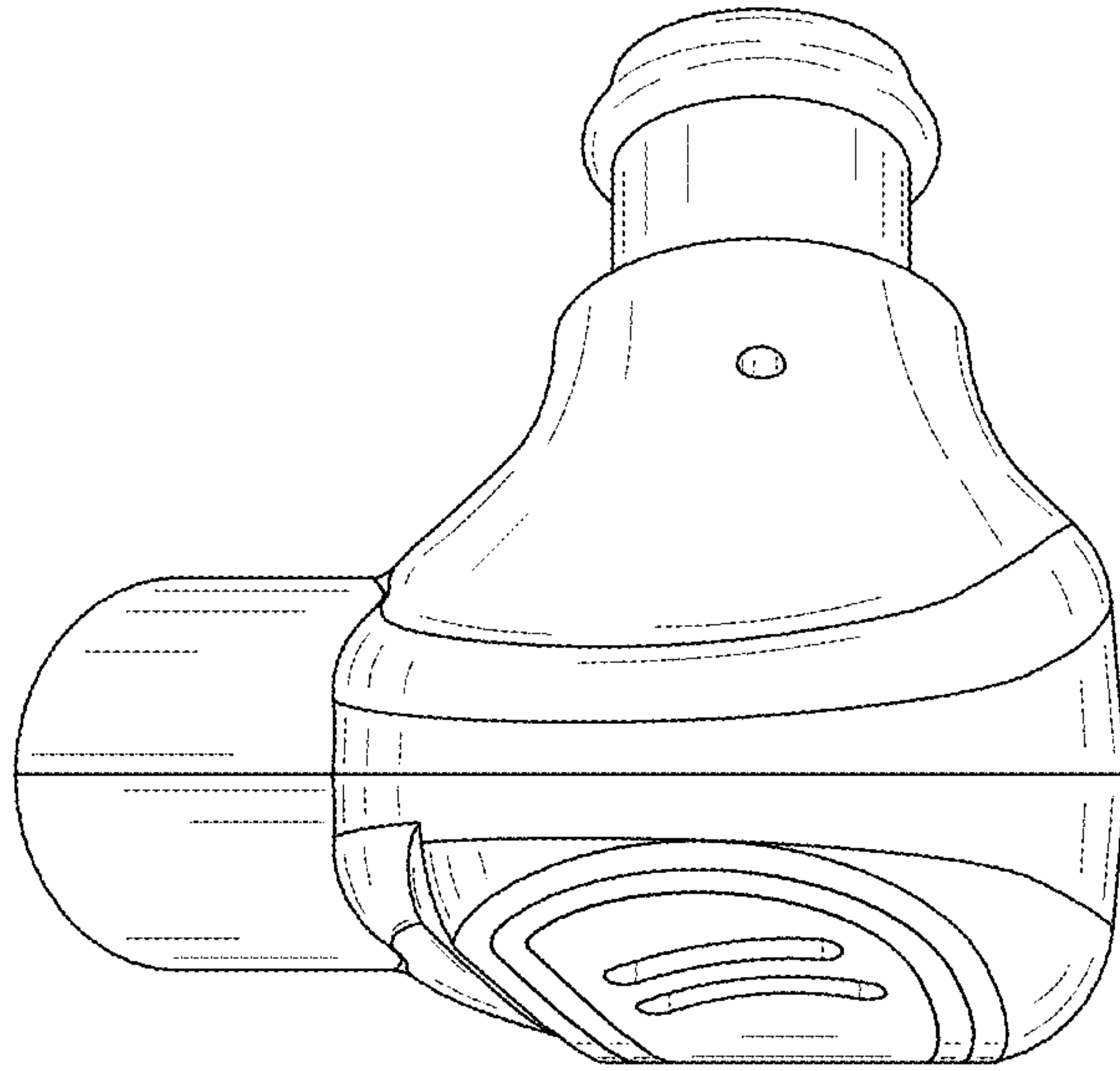
*Fig.2*



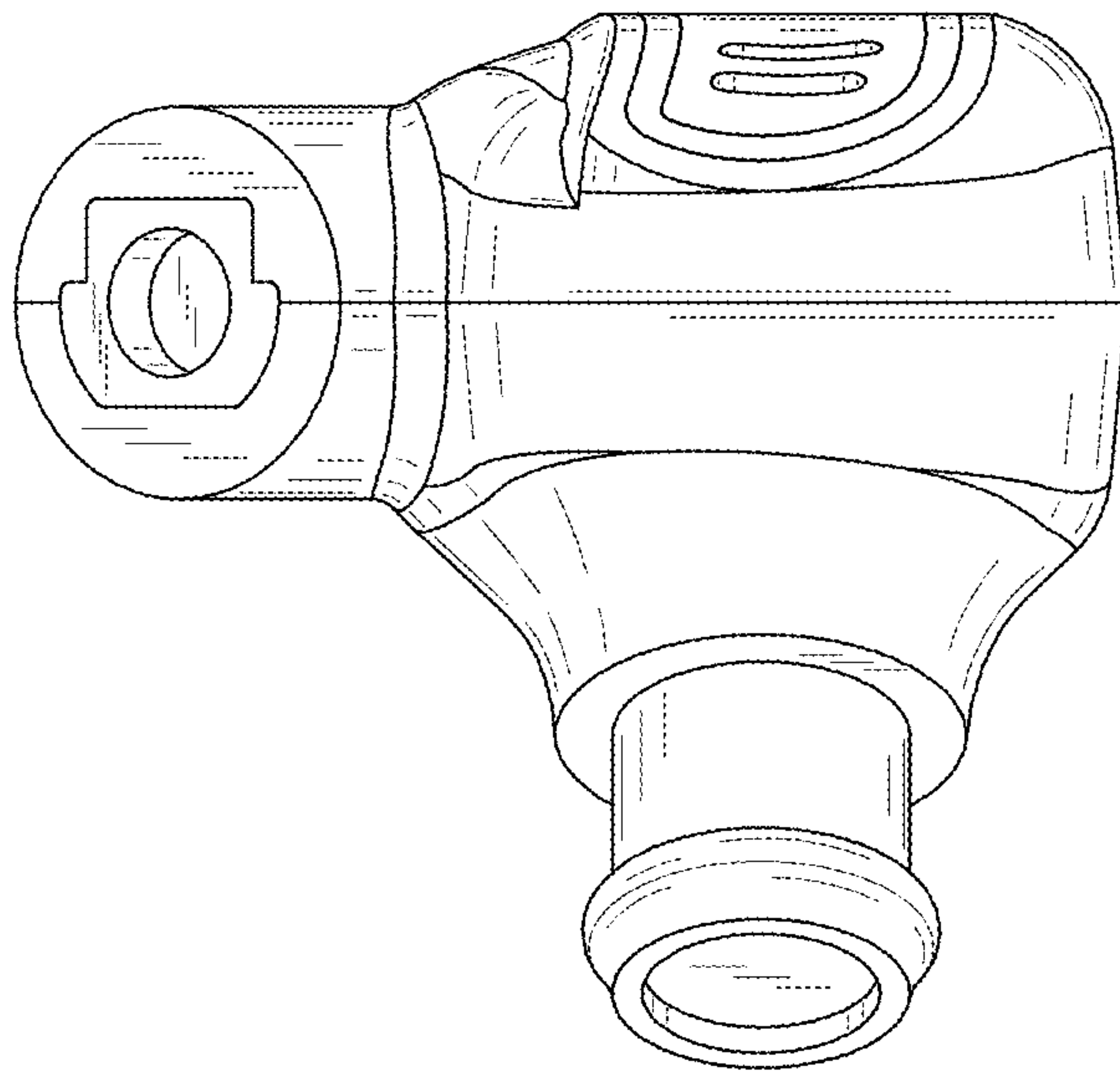
*Fig.3*



*Fig.4*

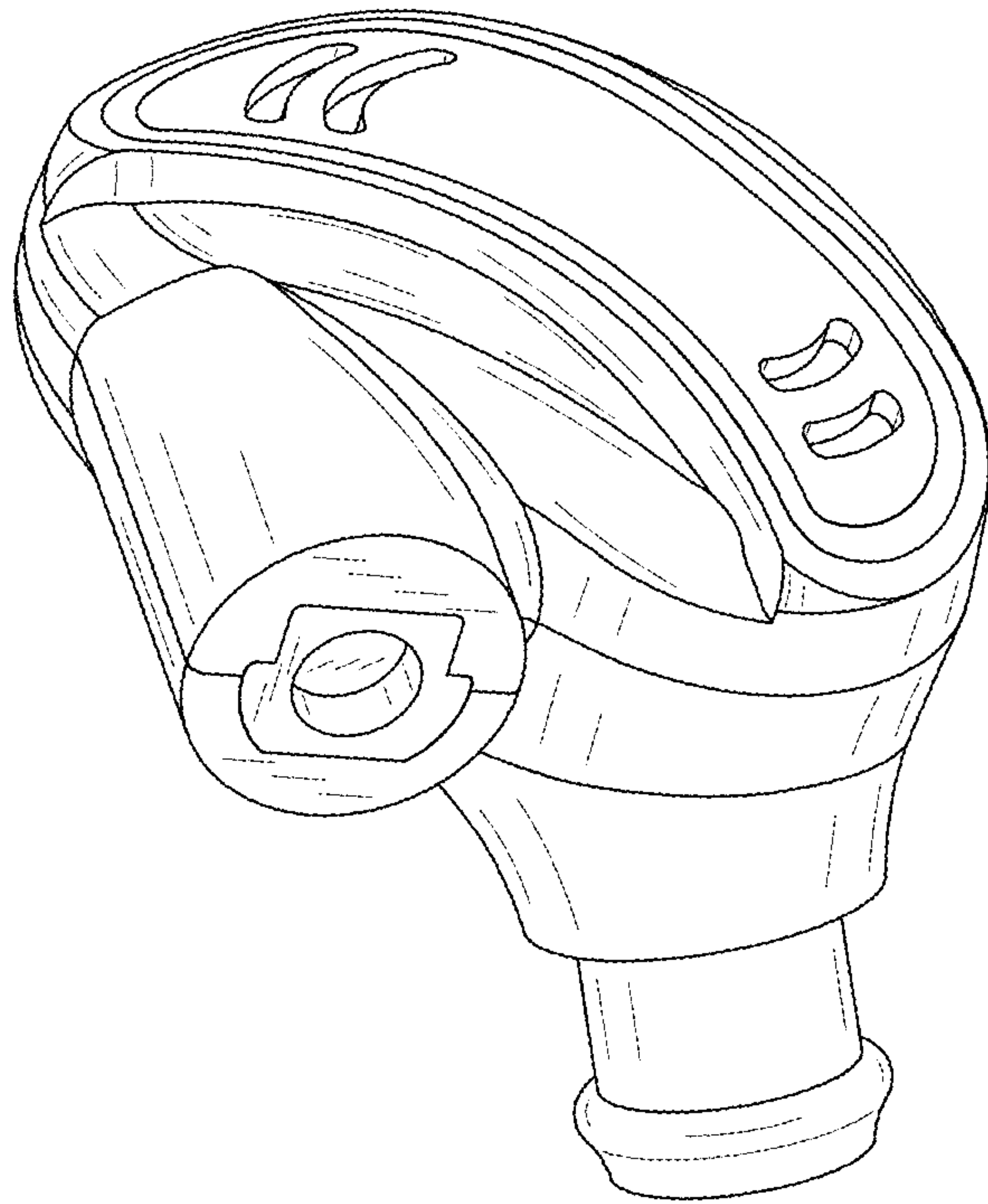


*Fig.5*

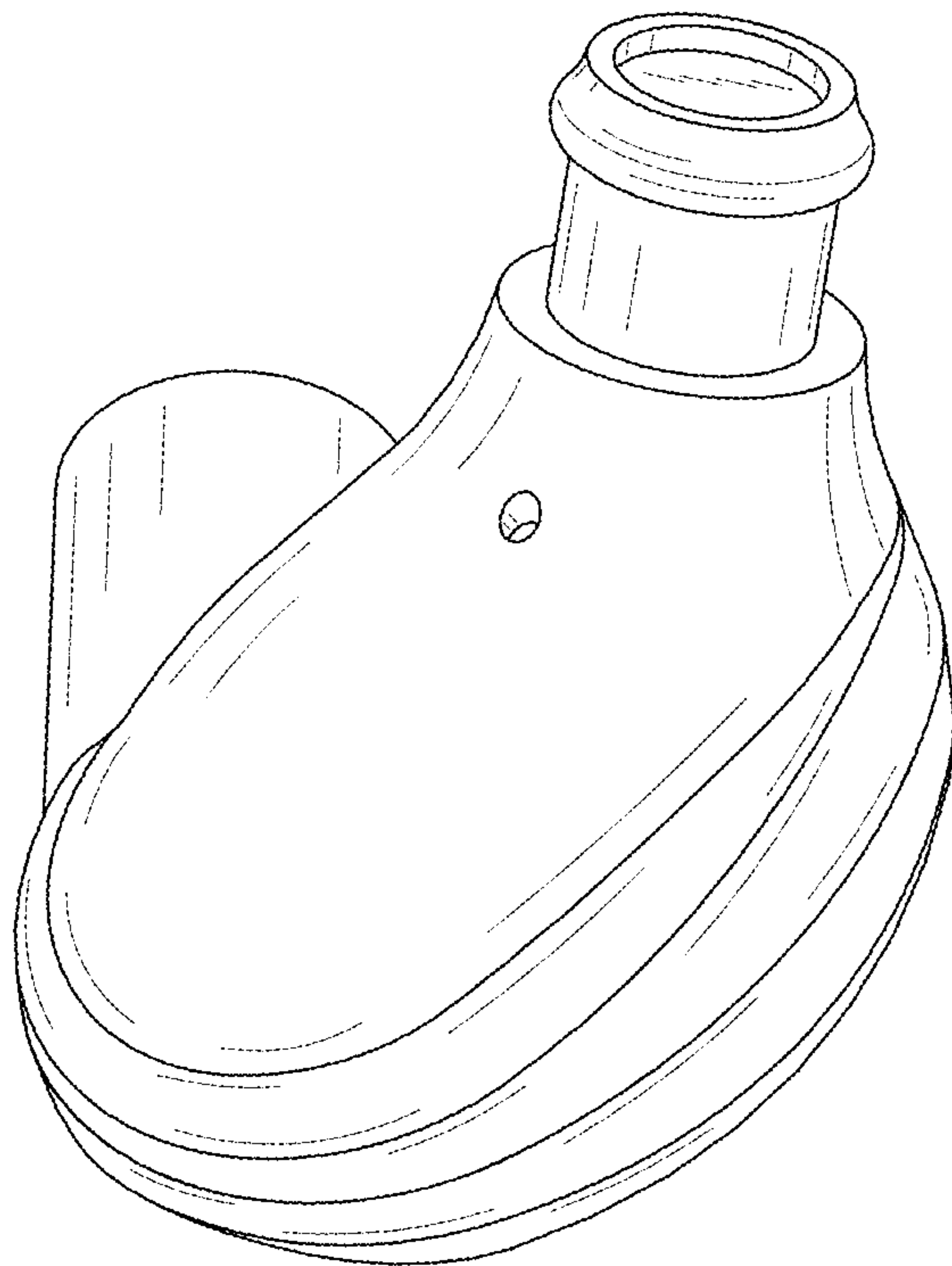


*Fig.6*

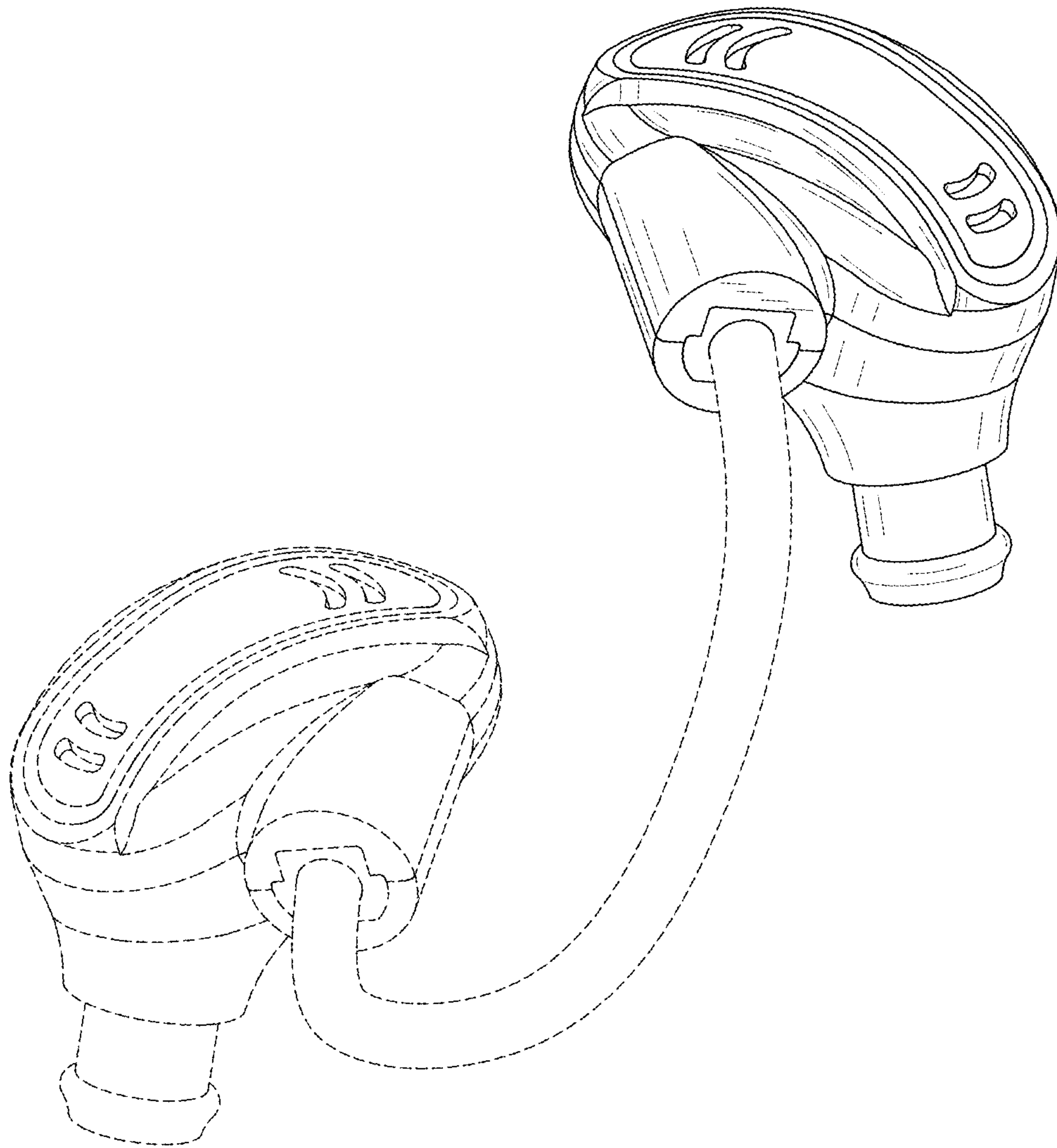




*Fig.7*



*Fig.8*



*Fig.9*