



US00D885368S

(12) **United States Design Patent**
Yanjie et al.

(10) **Patent No.:** **US D885,368 S**

(45) **Date of Patent:** **** May 26, 2020**

(54) **SPHERICAL SPEAKER WITH HANGING STRAP**

(71) Applicant: **TGI TECHNOLOGY PTE LTD,**
Singapore (SG)

(72) Inventors: **Liang Yanjie,** Singapore (SG); **Li Shijuang,** Singapore (SG)

(73) Assignee: **TGI TECHNOLOGY PTE LTD,**
Singapore (SG)

(**) Term: **15 Years**

(21) Appl. No.: **29/712,487**

(22) Filed: **Nov. 8, 2019**

Related U.S. Application Data

(63) Continuation-in-part of application No. 35/504,996, filed on Nov. 20, 2017 (U.S. filing date under 35 U.S.C. 384), and having an international filing date of Nov. 20, 2017, now Pat. No. Des. 866,519.

(30) **Foreign Application Priority Data**

Oct. 9, 2017 (SG) 30201704472W

(51) **LOC (12) Cl.** **14-01**

(52) **U.S. Cl.**
USPC **D14/216**

(58) **Field of Classification Search**
USPC D14/167, 168, 170–172, 188, 204, 209.1, D14/210, 211, 216, 219, 221, 222, 224
CPC H04R 1/021; H04R 1/026
See application file for complete search history.

(56) **References Cited**

U.S. PATENT DOCUMENTS

2,784,512 A * 3/1957 Goodwin A47G 33/08
220/4.21
D186,892 S * 12/1959 Wilber D14/211

D210,538 S * 3/1968 Lahti D14/213
D222,072 S * 9/1971 Levitt D14/211
D224,792 S * 9/1972 Knox, Jr. 119/28.5
D229,871 S * 1/1974 Tibbs D3/238
D324,106 S * 2/1992 Greenblatt D24/200
D333,784 S * 3/1993 Goodman D3/302
D345,788 S * 4/1994 Green D23/366
D349,704 S * 8/1994 Tsing D14/216
5,445,375 A * 8/1995 Sweeny A63B 43/00
273/146
5,533,920 A * 7/1996 Arad A63H 33/005
446/409
D375,626 S * 11/1996 Eaton D3/257
D437,681 S * 2/2001 Weinstock D3/215

(Continued)

OTHER PUBLICATIONS

www.fccid.io: E3A Wireless Speaker Teardown Internal Photos. Dated May 4, 2018, 6 pages. Found online Mar. 12, 2019 at <https://fccid.io/2AD2ME3A/Internal-Photos/Internal-Photos-3839200>.*

(Continued)

Primary Examiner — Robert M. Spear

(74) *Attorney, Agent, or Firm* — Hayes Soloway P.C.

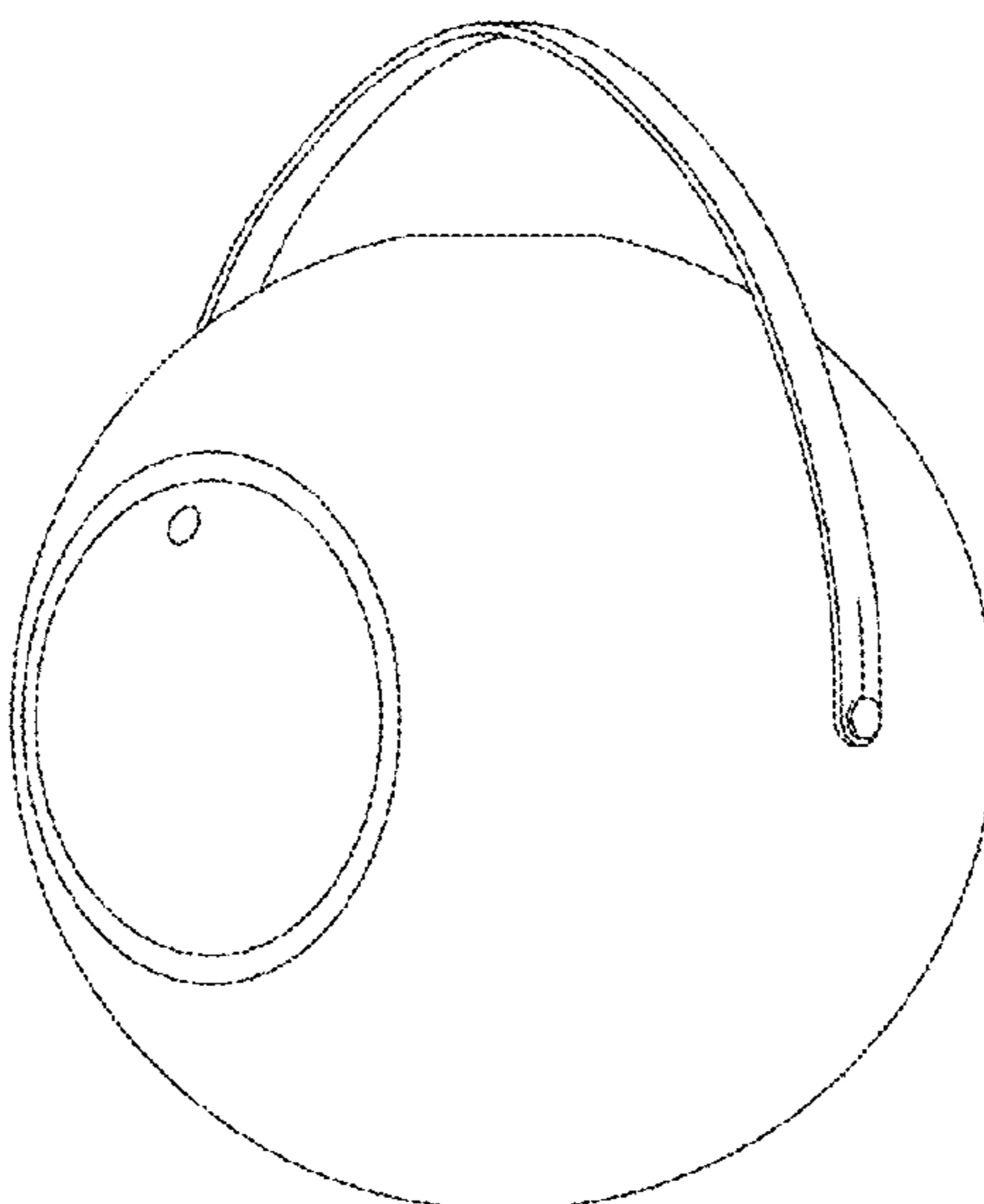
(57) **CLAIM**

We claim the ornamental design for a spherical speaker with hanging strap, as shown and described.

DESCRIPTION

FIG. 1 is a front elevational view of a spherical speaker with hanging strap showing my new design;
FIG. 2 is a back elevational view thereof;
FIG. 3 is a left-side elevational view thereof;
FIG. 4 is a right-side elevational view thereof;
FIG. 5 is a top plan view thereof;
FIG. 6 is a bottom plan view thereof; and,
FIG. 7 is a front right perspective view of the clock.

1 Claim, 7 Drawing Sheets



(56)

References Cited

U.S. PATENT DOCUMENTS

D465,733 S * 11/2002 Hill D9/519
 D471,532 S * 3/2003 Solland D14/211
 D476,095 S * 6/2003 Baarman D26/2
 D478,813 S * 8/2003 Beene D9/519
 D512,048 S * 11/2005 Borsboom D14/216
 D514,093 S * 1/2006 Borsboom D14/216
 D516,105 S * 2/2006 Bradley D16/202
 D526,644 S * 8/2006 Breit D14/216
 D537,436 S * 2/2007 Lye D14/211
 D547,430 S * 7/2007 Low D21/713
 D552,054 S * 10/2007 Pena Angarita D14/496
 D557,258 S * 12/2007 Steindl D14/216
 D606,516 S * 12/2009 Siegrist D14/216
 D609,709 S * 2/2010 Allo Allo D14/440
 D632,548 S * 2/2011 Tracey B65H 75/40
 D8/358
 D676,423 S * 2/2013 Joseph D14/216
 D696,298 S * 12/2013 Britt, Jr. D14/496
 D711,351 S * 8/2014 Breines D14/215
 D726,157 S * 4/2015 Chang D14/216
 9,118,989 B2 * 8/2015 Zukowski H04R 1/086
 D743,941 S * 11/2015 Patsis D14/216
 D756,326 S * 5/2016 Holzer D14/171
 D765,617 S * 9/2016 Mackiewicz D14/216
 D790,500 S * 6/2017 Morisawa D14/204
 D793,363 S * 8/2017 Zhang D14/216
 D797,575 S * 9/2017 Lai D10/22
 D801,307 S * 10/2017 Kim D14/216

D802,561 S * 11/2017 Manginello D14/216
 D817,935 S * 5/2018 Zukowski A47G 33/08
 D14/228
 D822,761 S * 7/2018 Shoenhair D18/57
 D829,688 S * 10/2018 Tanaka D14/216
 D834,000 S * 11/2018 Paslawski D14/216
 D866,519 S * 11/2019 Yanjie D14/216
 2006/0013411 A1 * 1/2006 Lin H04R 5/02
 381/87
 2008/0137880 A1 * 6/2008 Mills H04R 1/026
 381/79

OTHER PUBLICATIONS

www.1stdibs.com: 12" Copper Sphere on Tripod Iron Stand. Dated 1920's; 1 page. Found online Mar. 13, 2019 at https://www.1stdibs.com/furniture/more-furniture-collectibles/12-copper-sphere-on-tripod-iron-stand/id-f_383932/.*

www.3dlibrary.fr: Tripod Floor Lamp Ball. Undated; 2 pages. Found online Mar. 13, 2019 at <https://www.3dlibrary.fr/lights-3d/tripod-floor-lamp-ball-p-5973.html>.*

www.quidco.com: Leander Metal Tripod Lamp by Habitat. © 2019, 3 pages. Found online Mar. 13, 2019 at <https://www.quidco.com/discover/product/leander-metal-tripod-lamp-by-habitat/>.*

www.home-fix.com: UB+ Eupho E3 Speaker Pink. © 2019, 5 pages. Found online Mar. 13, 2019 at <https://home-fix.com/products/ub-eu-e3-p-eupho-e3-speaker-pink>.*

* cited by examiner

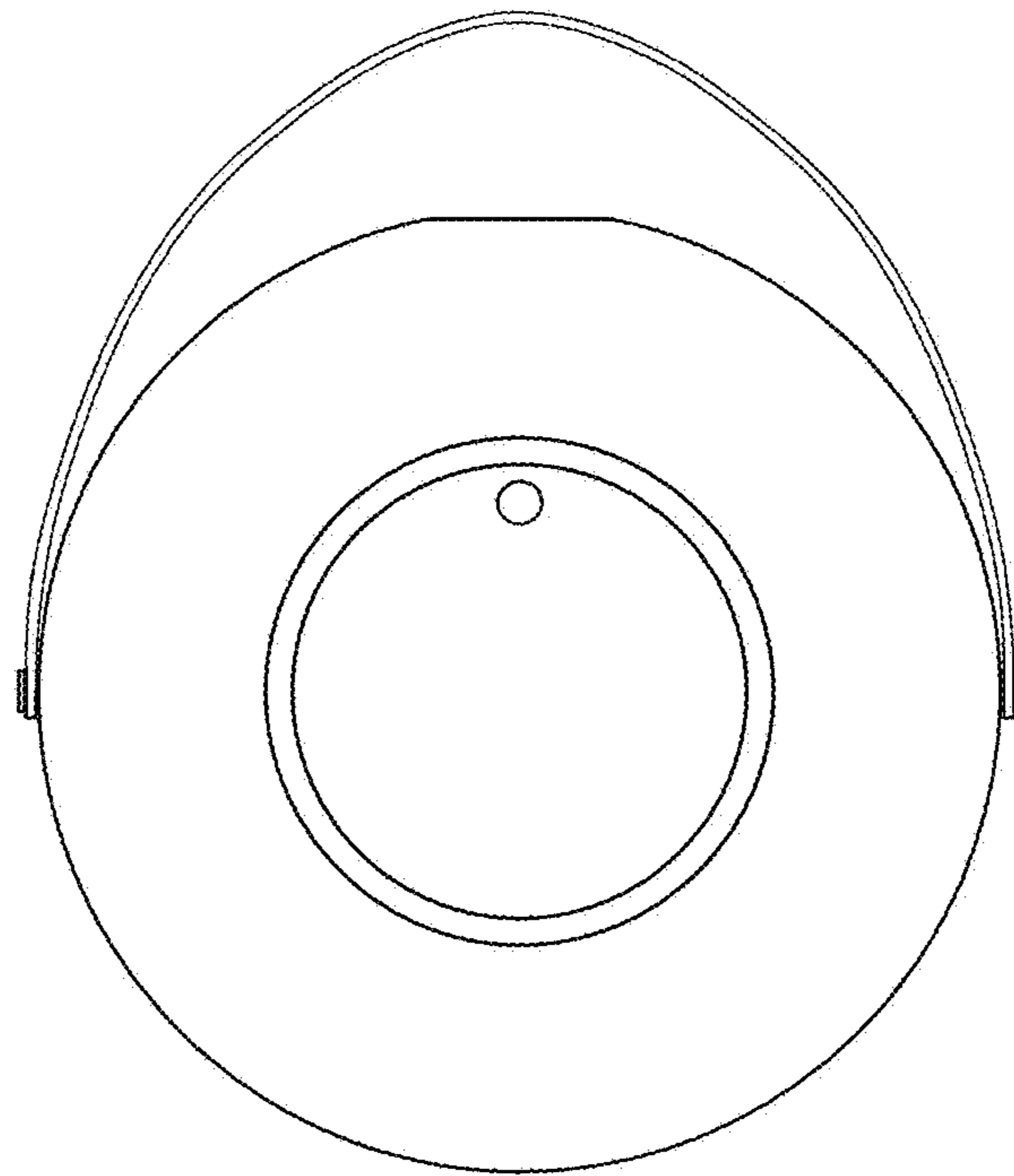


FIG. 1

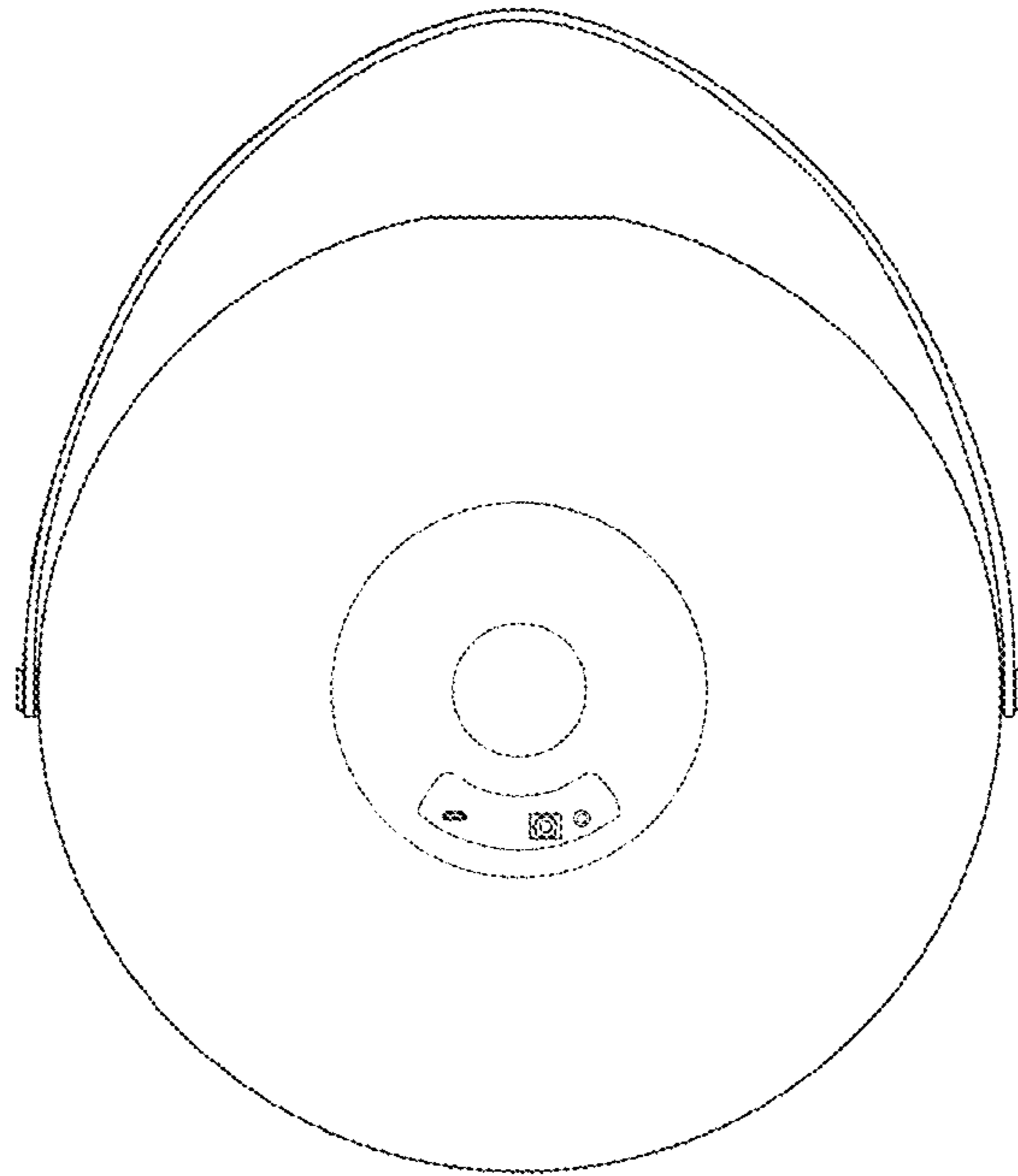


FIG. 2

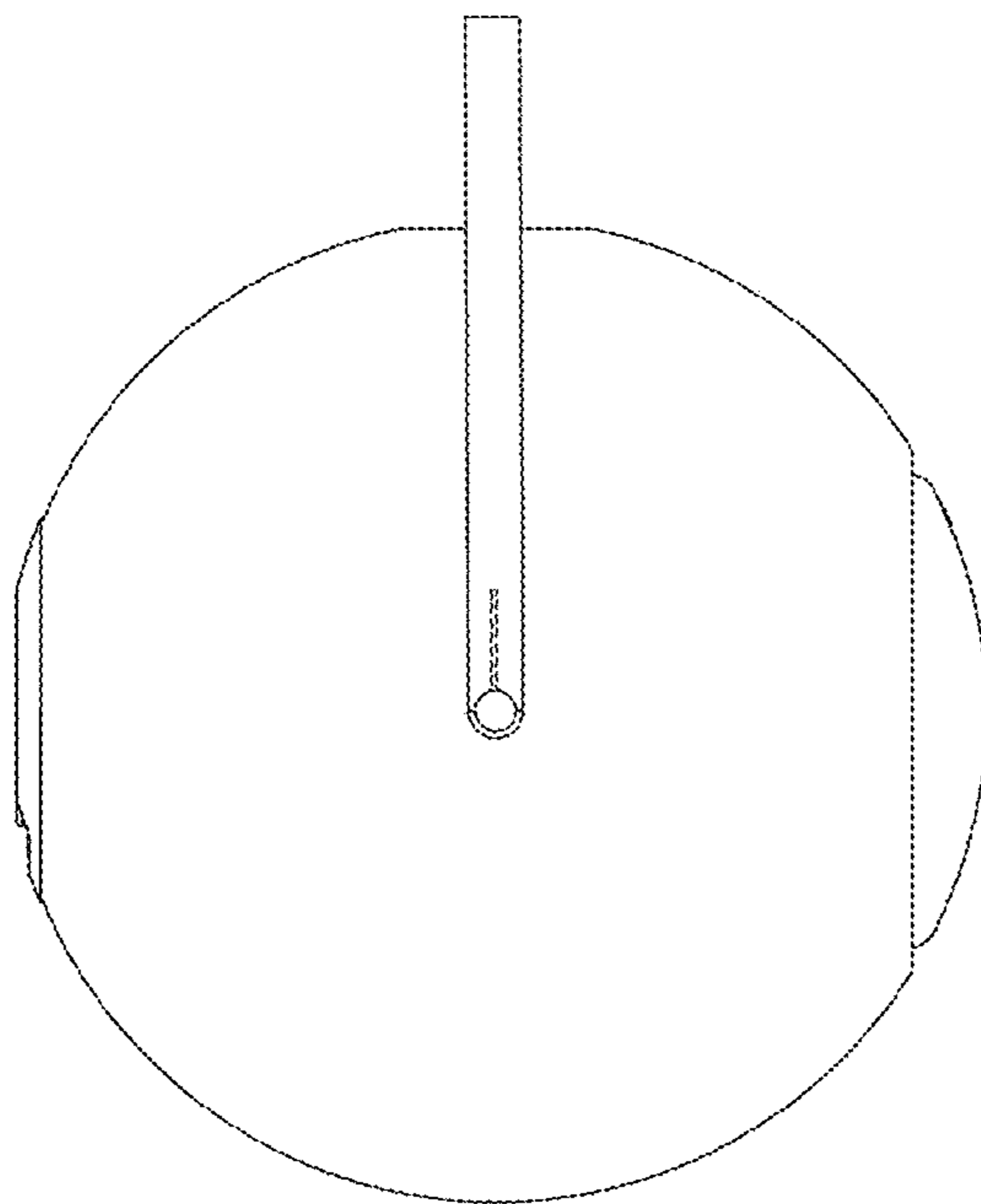


FIG. 3

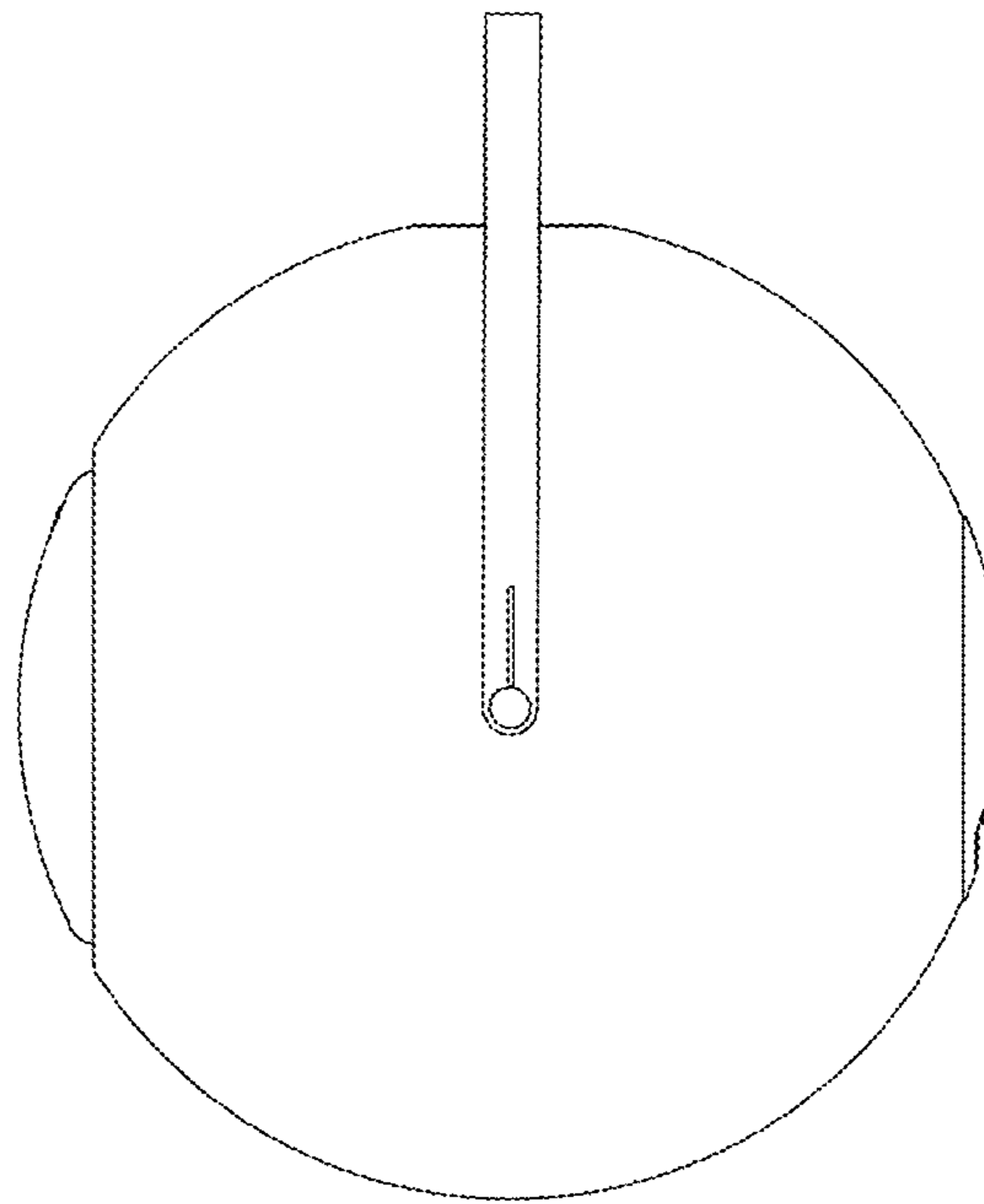


FIG. 4

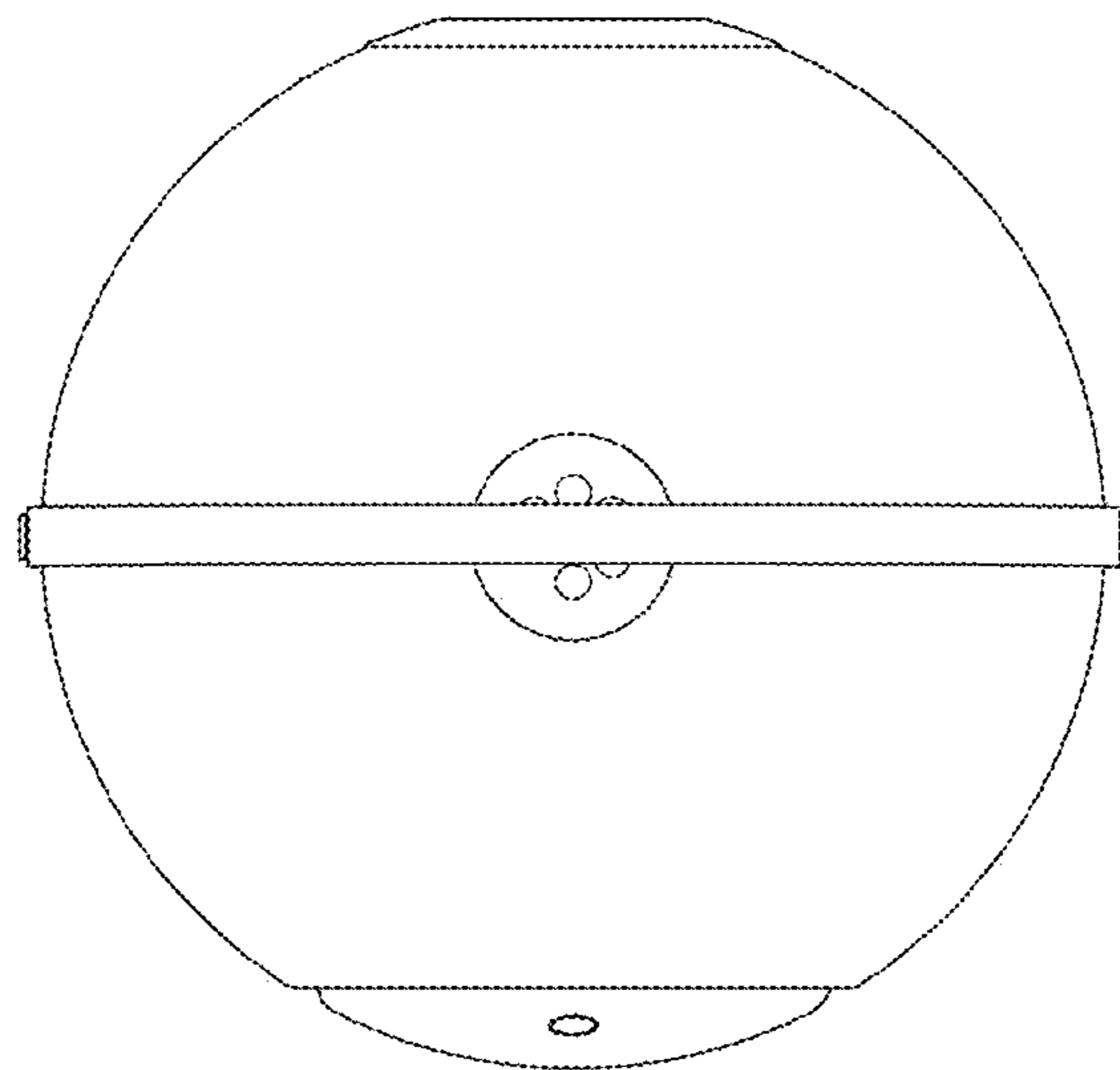


FIG. 5

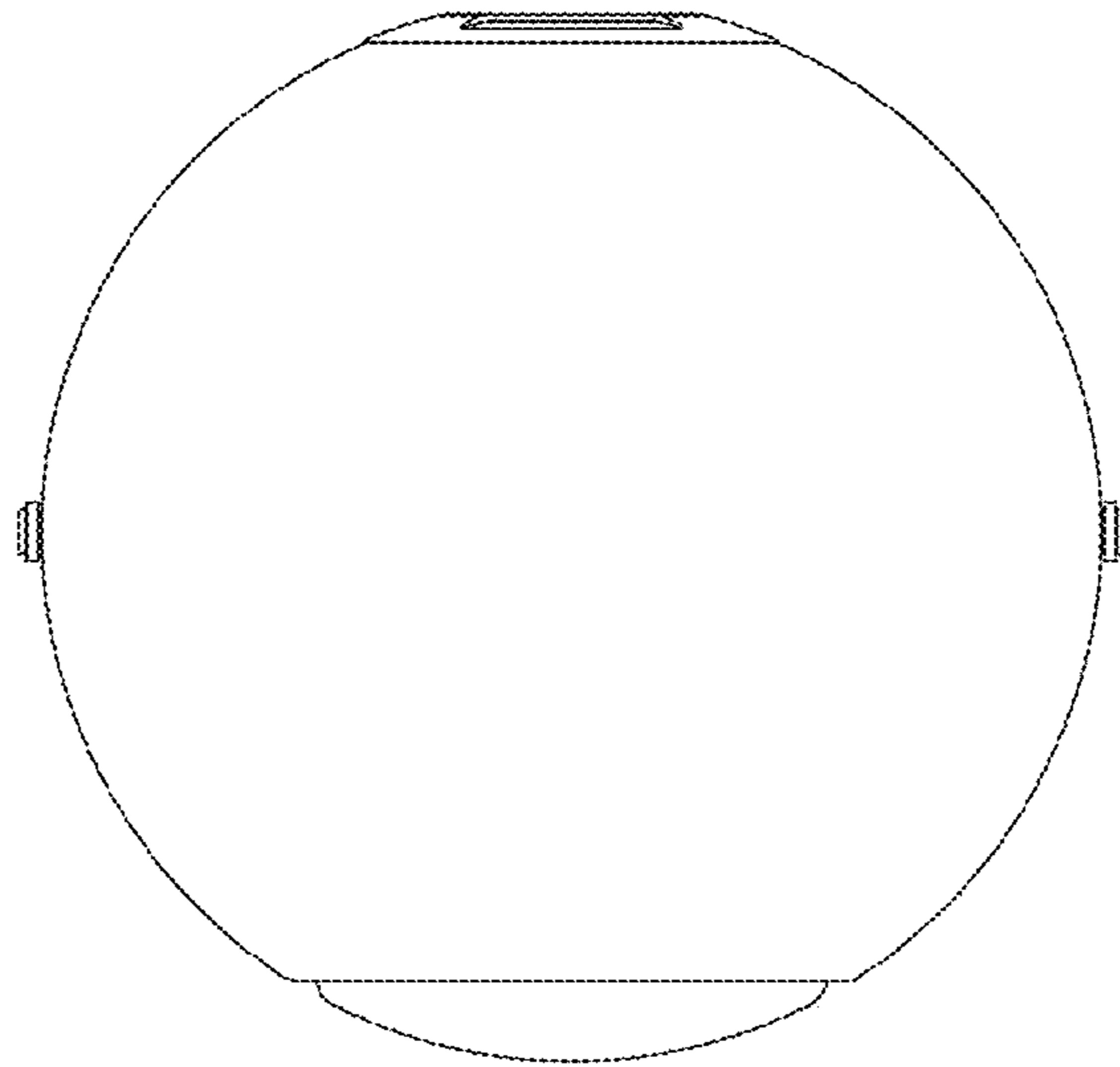


FIG. 6

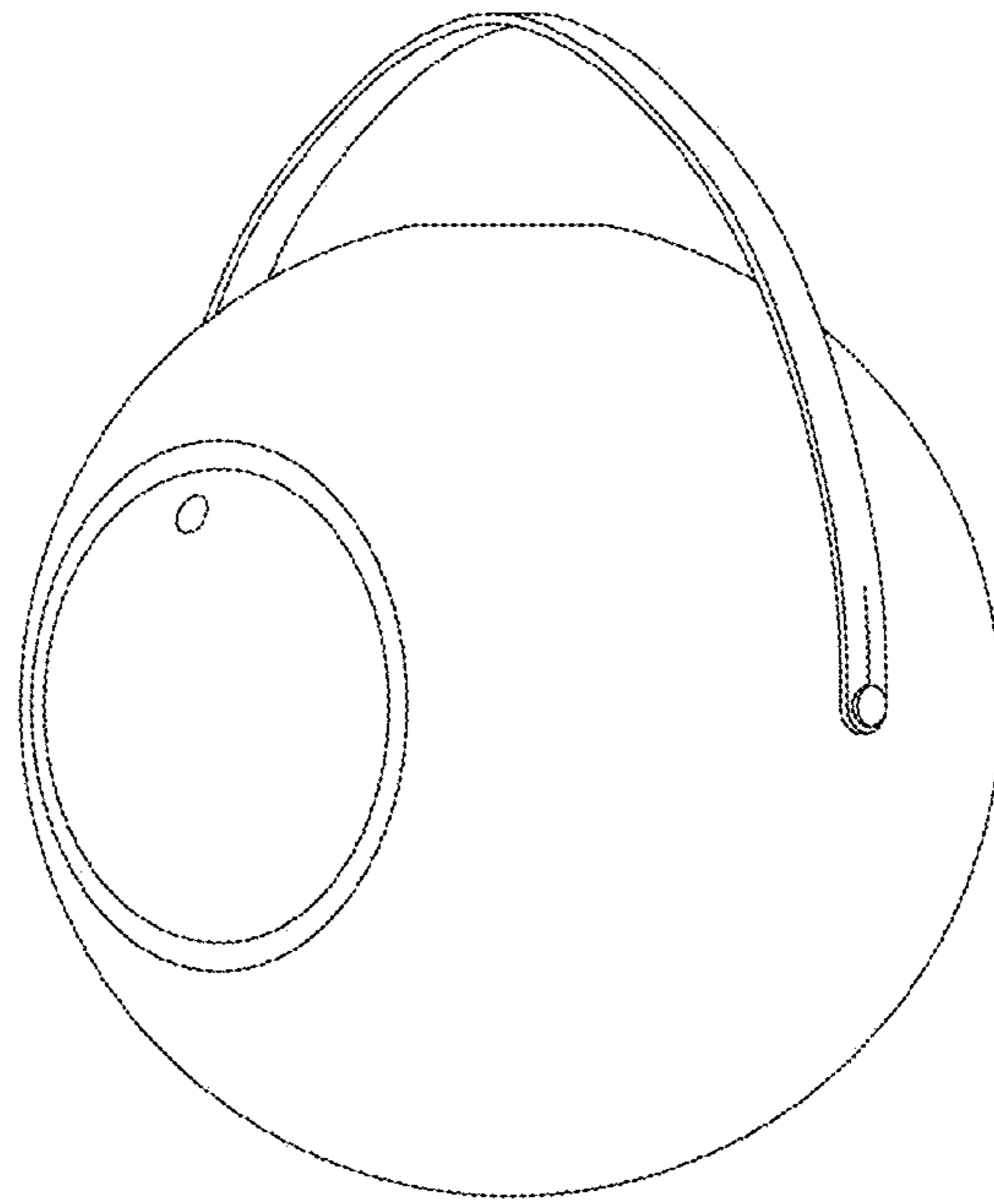


FIG. 7