



US00D885365S

(12) **United States Design Patent** (10) **Patent No.:** **US D885,365 S**  
**Yanjie et al.** (45) **Date of Patent:** **\*\* May 26, 2020**

- (54) **SPHERICAL SPEAKER WITH STAND**
- (71) Applicant: **TGI TECHNOLOGY PTE LTD,**  
Singapore (SG)
- (72) Inventors: **Liang Yanjie,** Singapore (SG); **Li Shihuang,** Singapore (SG)
- (73) Assignee: **TGI TECHNOLOGY PTE LTD,**  
Singapore (SG)
- (\*\*) Term: **15 Years**
- (21) Appl. No.: **29/712,485**
- (22) Filed: **Nov. 8, 2019**

- D222,072 S \* 9/1971 Levitt ..... D14/211
- D224,792 S \* 9/1972 Knox, Jr. .... 119/28.5
- D229,871 S \* 1/1974 Tibbs ..... D3/238
- D324,106 S \* 2/1992 Greenblatt ..... D24/200
- D333,784 S \* 3/1993 Goodman ..... D3/302
- D345,788 S \* 4/1994 Green ..... D23/366
- D349,704 S \* 8/1994 Tsing ..... D14/216
- 5,445,375 A \* 8/1995 Sweeny ..... A63B 43/00  
273/146
- 5,533,920 A \* 7/1996 Arad ..... A63H 33/005  
446/409
- D375,626 S \* 11/1996 Eaton ..... D3/257
- D437,681 S \* 2/2001 Weinstock ..... D3/215
- D465,733 S \* 11/2002 Hill ..... D9/519
- D471,532 S \* 3/2003 Solland ..... D14/211

(Continued)

**Related U.S. Application Data**

- (63) Continuation-in-part of application No. 35/504,996, filed on Nov. 20, 2017 (U.S. filing date under 35 U.S.C. 384), and having an international filing date of Nov. 20, 2017, now Pat. No. Des. 866,519.

**Foreign Application Priority Data**

- (30) Oct. 9, 2017 (SG) ..... 30201704473W
- (51) **LOC (12) Cl.** ..... **14-01**
- (52) **U.S. Cl.**  
USPC ..... **D14/211**; D14/216
- (58) **Field of Classification Search**  
USPC .... D14/167, 168, 170-172, 188, 204, 209.1,  
D14/210, 211, 216, 219, 221, 222, 224  
CPC ..... H04R 1/021; H04R 1/026  
See application file for complete search history.

**References Cited**

**U.S. PATENT DOCUMENTS**

- (56) 2,784,512 A \* 3/1957 Goodwin ..... A47G 33/08  
220/4.21
- D186,892 S \* 12/1959 Wilber ..... D14/211
- D210,538 S \* 3/1968 Lahti ..... D14/213

**OTHER PUBLICATIONS**

www.fccid.io: E3A Wireless Speaker Teardown Internal Photos. Dated May 4, 2018, 6 pages. Found online Mar. 12, 2019 at <https://fccid.io/2AD2ME3A/Internal-Photos/Internal-Photos-3839200>.\*

(Continued)

*Primary Examiner* — Robert M. Spear  
(74) *Attorney, Agent, or Firm* — Hayes Soloway P.C.

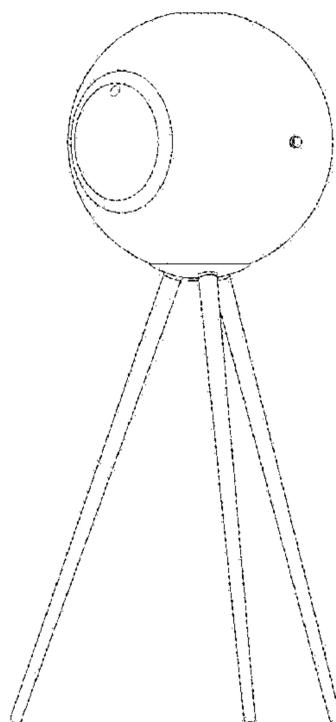
**CLAIM**

(57) We claim the ornamental design for a spherical speaker with stand, as shown and described.

**DESCRIPTION**

FIG. 1 is a front elevational view of a spherical speaker with stand showing my new design;  
FIG. 2 is a back elevational view thereof;  
FIG. 3 is a right-side elevational view thereof;  
FIG. 4 is a left-side elevational view thereof;  
FIG. 5 is a top plan view thereof;  
FIG. 6 is a bottom plan view thereof; and,  
FIG. 7 is a front right perspective view of the clock.

**1 Claim, 7 Drawing Sheets**



(56)

References Cited

U.S. PATENT DOCUMENTS

D476,095 S \* 6/2003 Baarman ..... D26/2  
 D478,813 S \* 8/2003 Beene ..... D9/519  
 D512,048 S \* 11/2005 Borsboom ..... D14/216  
 D514,093 S \* 1/2006 Borsboom ..... D14/216  
 D516,105 S \* 2/2006 Bradley ..... D16/202  
 D526,644 S \* 8/2006 Breit ..... D14/216  
 D537,436 S \* 2/2007 Lye ..... D14/211  
 D547,430 S \* 7/2007 Low ..... D21/713  
 D552,054 S \* 10/2007 Pena Angarita ..... D14/496  
 D557,258 S \* 12/2007 Steindl ..... D14/216  
 D606,516 S \* 12/2009 Siegrist ..... D14/216  
 D609,709 S \* 2/2010 Allo Allo ..... D14/440  
 D632,548 S \* 2/2011 Tracey ..... B65H 75/40  
 D8/358  
 D676,423 S \* 2/2013 Joseph ..... D14/216  
 D696,298 S \* 12/2013 Britt, Jr. .... D14/496  
 D711,351 S \* 8/2014 Breines ..... D14/215  
 D726,157 S \* 4/2015 Chang ..... D14/216  
 9,118,989 B2 \* 8/2015 Zukowski ..... H04R 1/086  
 D743,941 S \* 11/2015 Patsis ..... D14/216  
 D756,326 S \* 5/2016 Holzer ..... D14/171  
 D765,617 S \* 9/2016 Mackiewicz ..... D14/216  
 D790,500 S \* 6/2017 Morisawa ..... D14/204  
 D793,363 S \* 8/2017 Zhang ..... D14/216  
 D797,575 S \* 9/2017 Lai ..... D10/22  
 D801,307 S \* 10/2017 Kim ..... D14/216  
 D802,561 S \* 11/2017 Manginello ..... D14/216

D817,935 S \* 5/2018 Zukowski ..... A47G 33/08  
 D14/228  
 D822,761 S \* 7/2018 Shoenhair ..... D18/57  
 D829,688 S \* 10/2018 Tanaka ..... D14/216  
 D834,000 S \* 11/2018 Paslawski ..... D14/216  
 D866,519 S \* 11/2019 Yanjie ..... D14/216  
 2006/0013411 A1 \* 1/2006 Lin ..... H04R 5/02  
 381/87  
 2008/0137880 A1 \* 6/2008 Mills ..... H04R 1/026  
 381/79

OTHER PUBLICATIONS

www.1stdibs.com: 12" Copper Sphere on Tripod Iron Stand. Dated 1920's; 1 page. Found online Mar. 13, 2019 at [https://www.1stdibs.com/furniture/more-furniture-collectibles/12-copper-sphere-on-tripod-iron-stand/id-f\\_383932/](https://www.1stdibs.com/furniture/more-furniture-collectibles/12-copper-sphere-on-tripod-iron-stand/id-f_383932/).\*

www.3dlibrary.fr: Tripod Floor Lamp Ball. Undated; 2 page. Found online Mar. 13, 2019 at <https://www.3dlibrary.fr/lights-3d/tripod-floor-lamp-ball-p-5973.html>.\*

www.quidco.com: Leander Metal Tripod Lamp by Habitat. © 2019, 3 pages. Found online Mar. 13, 2019 at <https://www.quidco.com/discover/product/leander-metal-tripod-lamp-by-habitat/>.\*

www.home-fix.com: UB+ Eupho E3 Speaker Pink. © 2019, 5 pages. Found online Mar. 13, 2019 at <https://home-fix.com/products/ub-eu-e3-p-eupho-e3-speaker-pink>.\*

\* cited by examiner

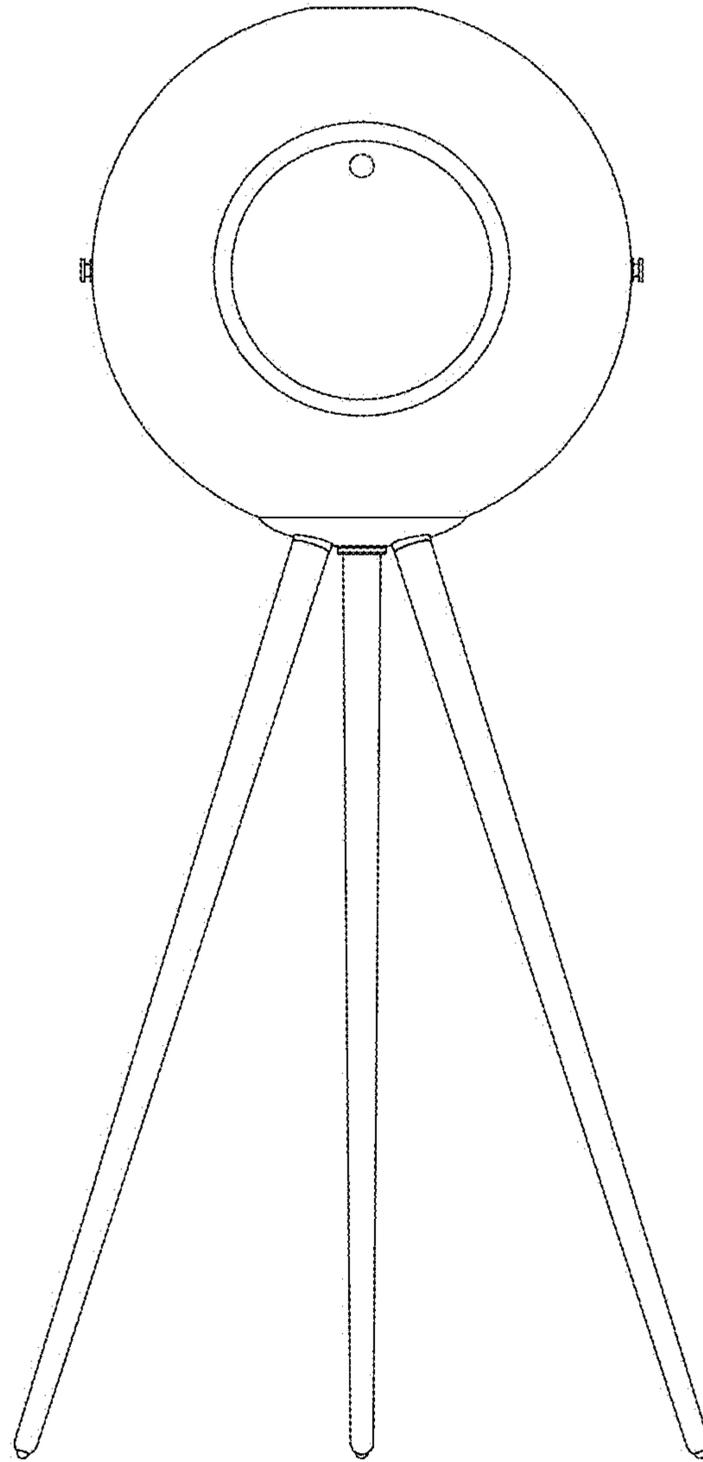


FIG. 1

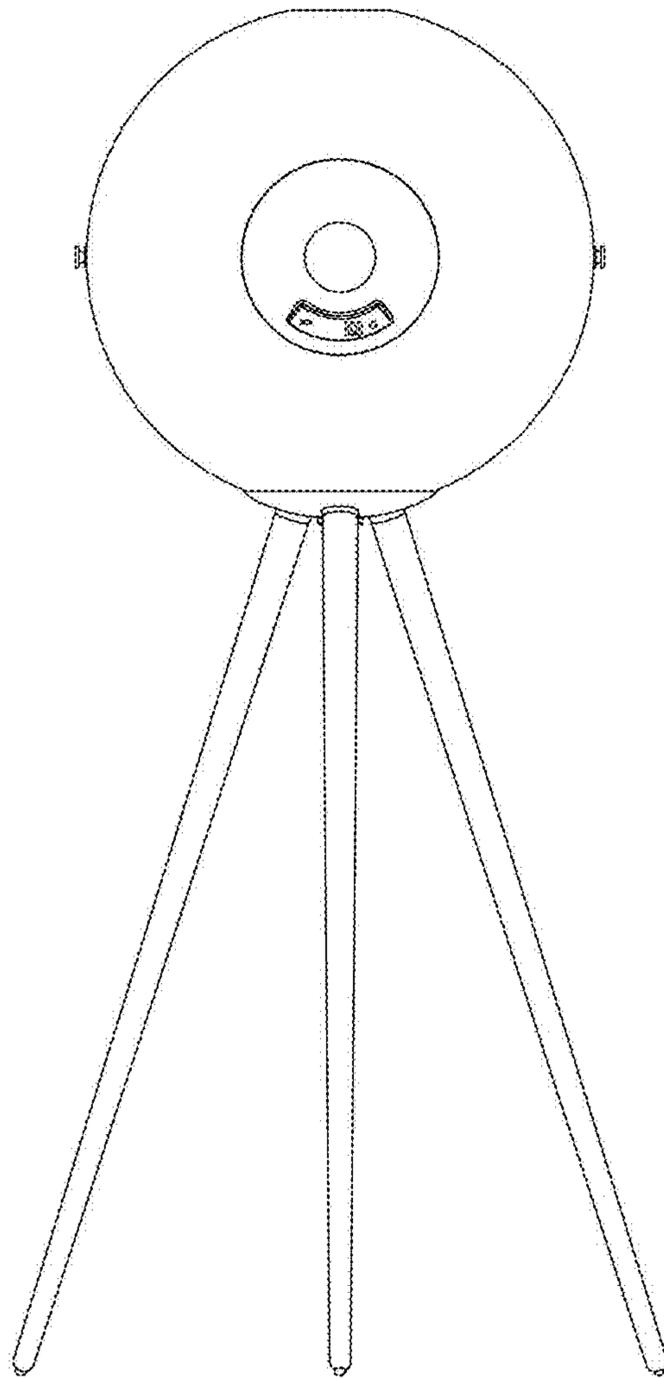


FIG. 2

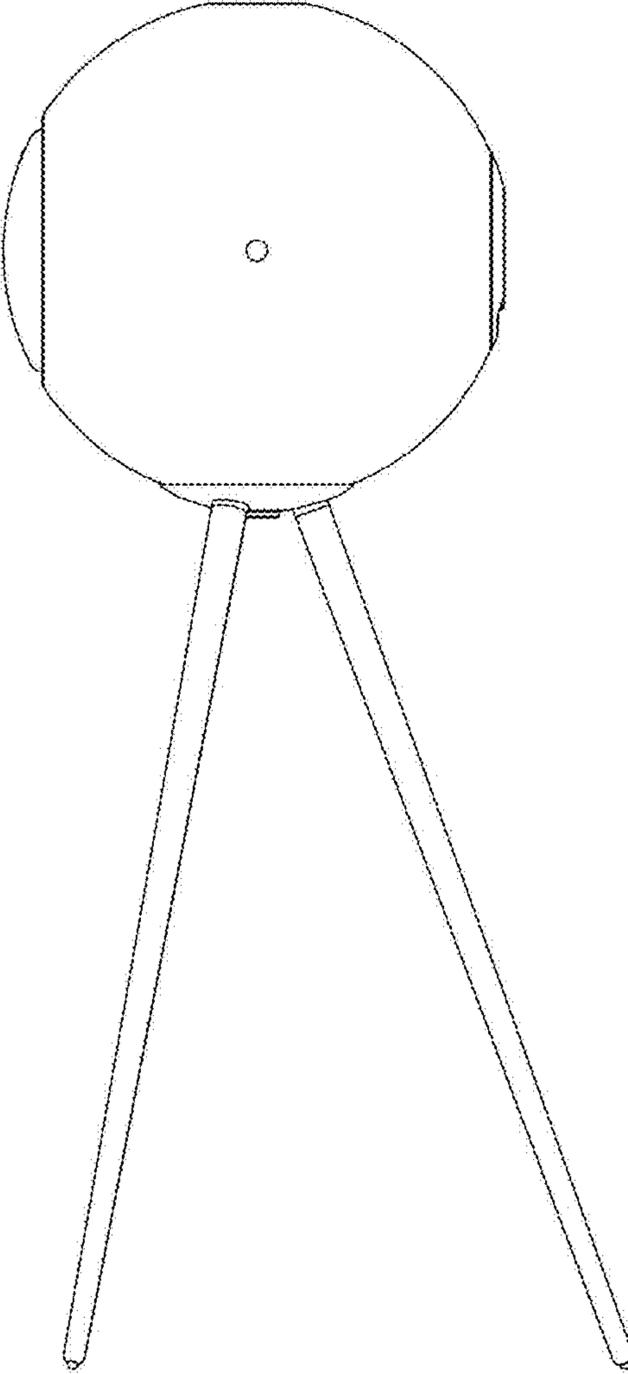


FIG. 3

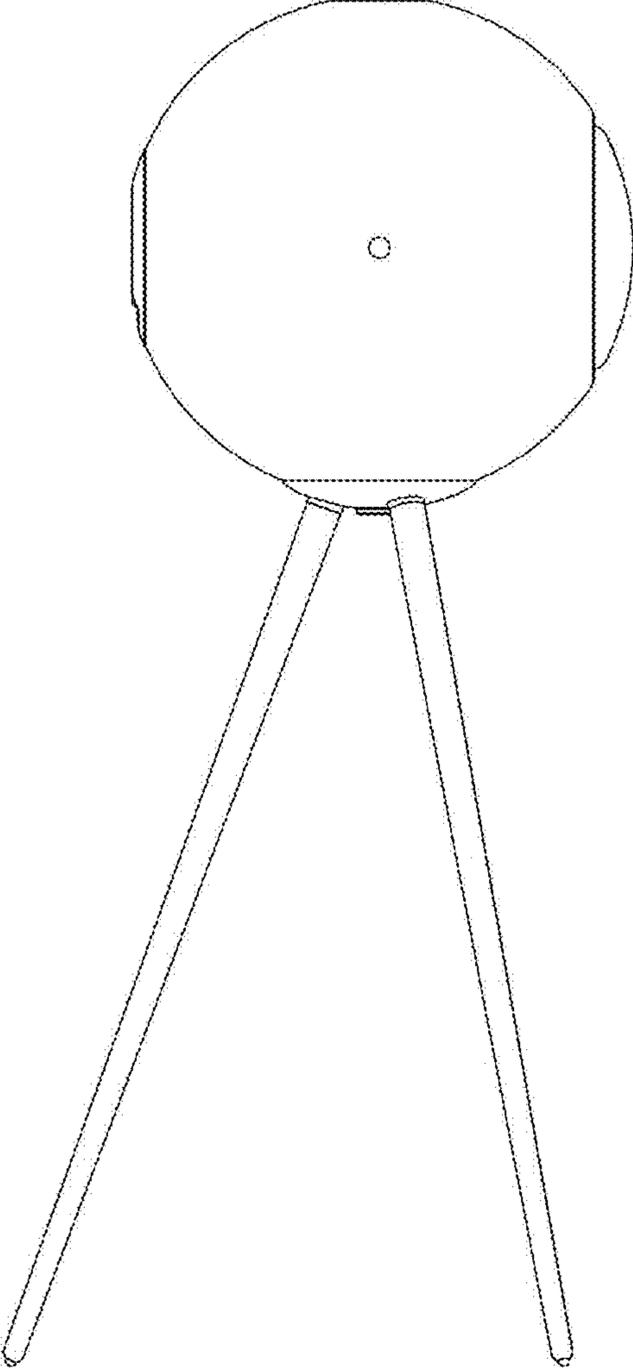


FIG. 4

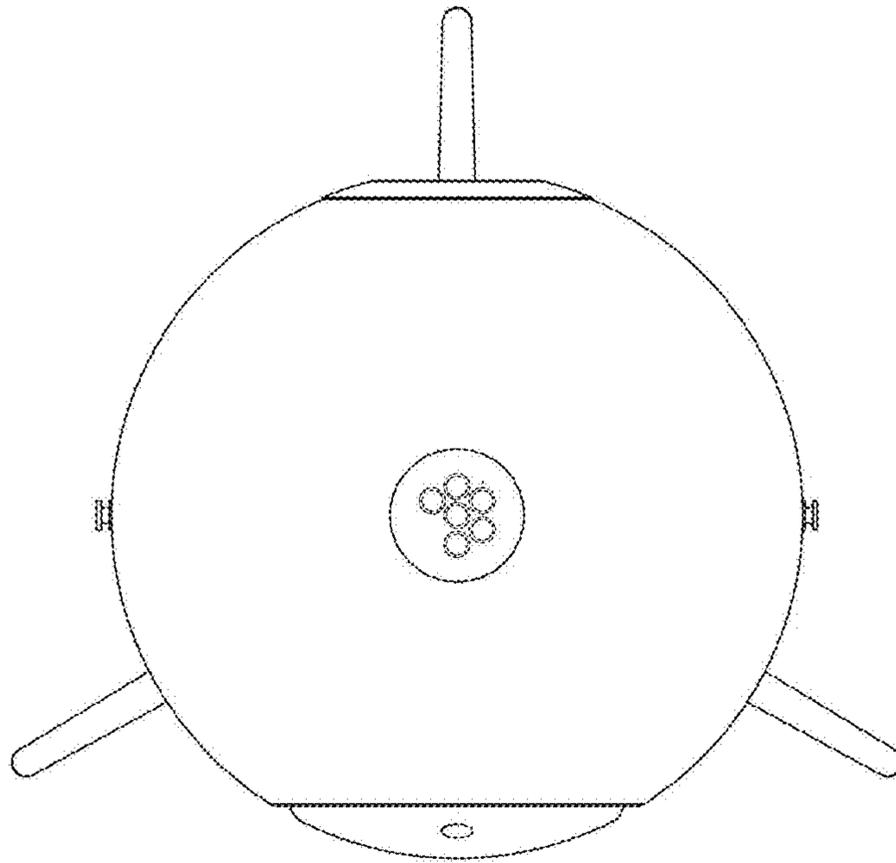


FIG. 5

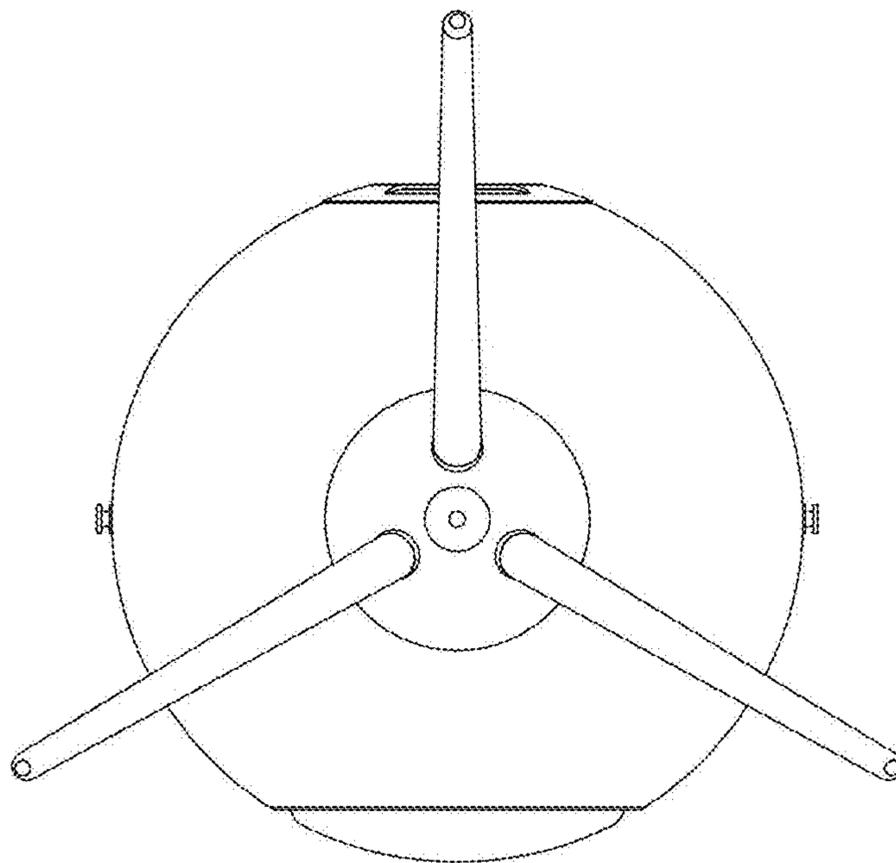


FIG. 6

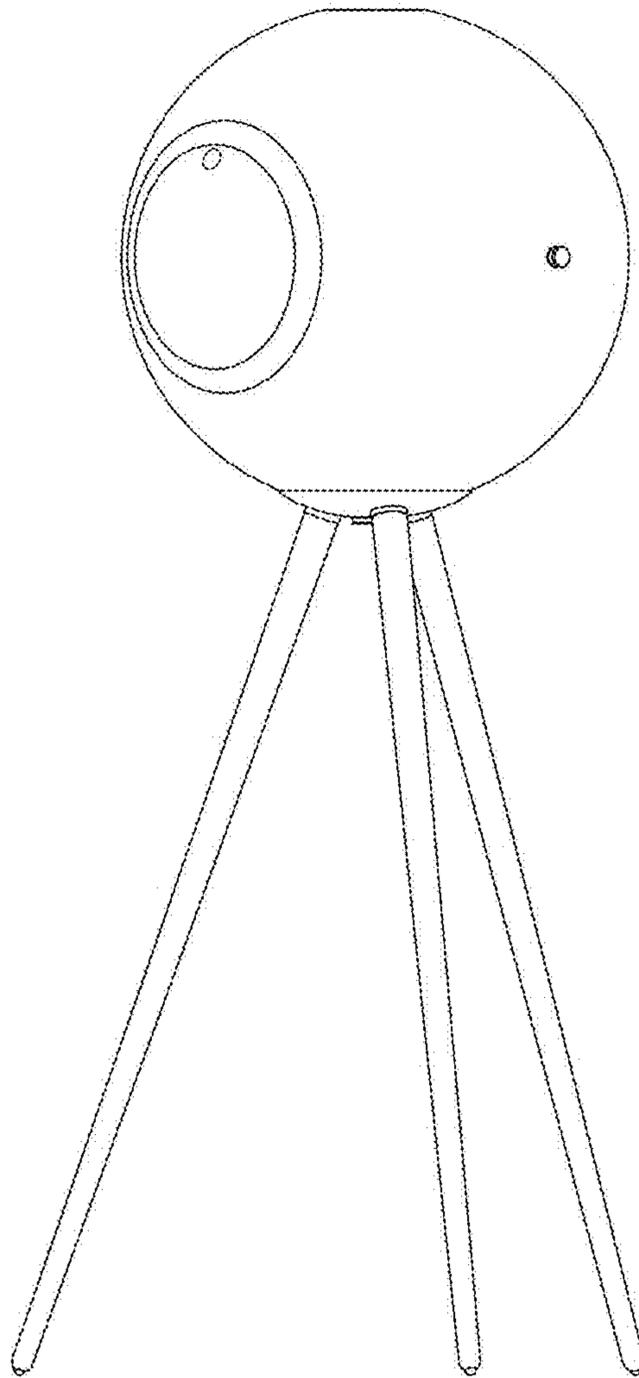


FIG. 7